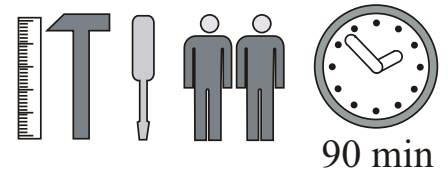
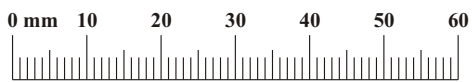
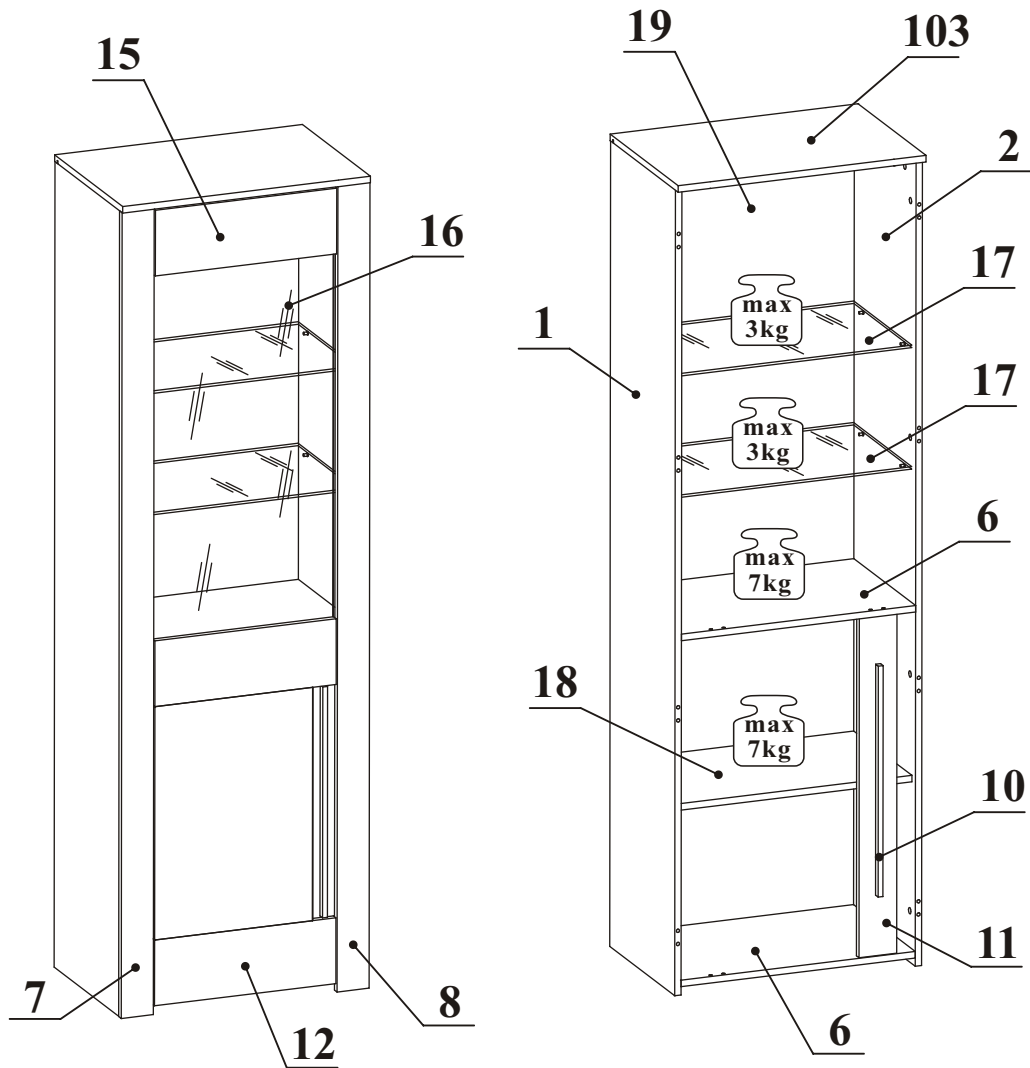
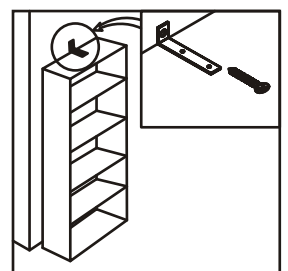
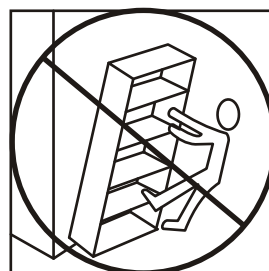
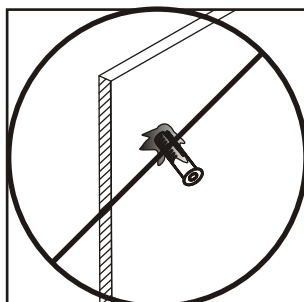
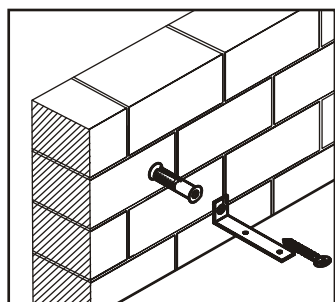
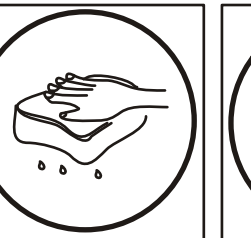
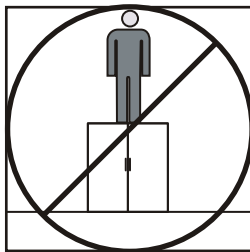
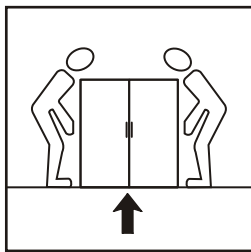
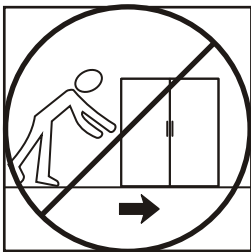
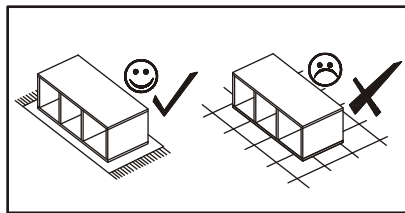
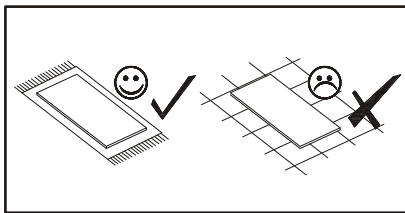
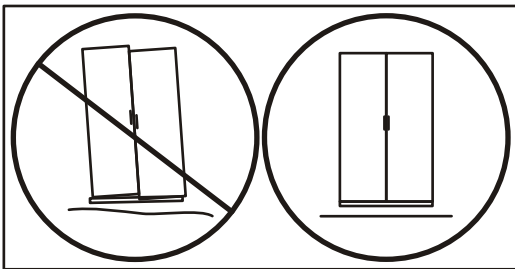
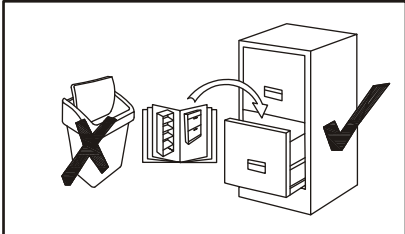
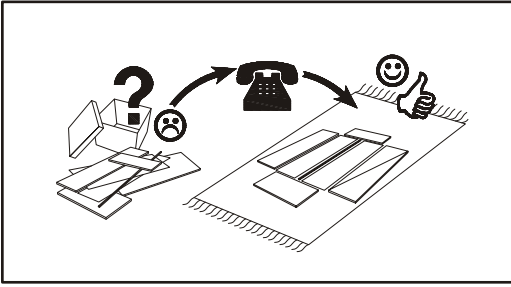


ALVO TYP 7

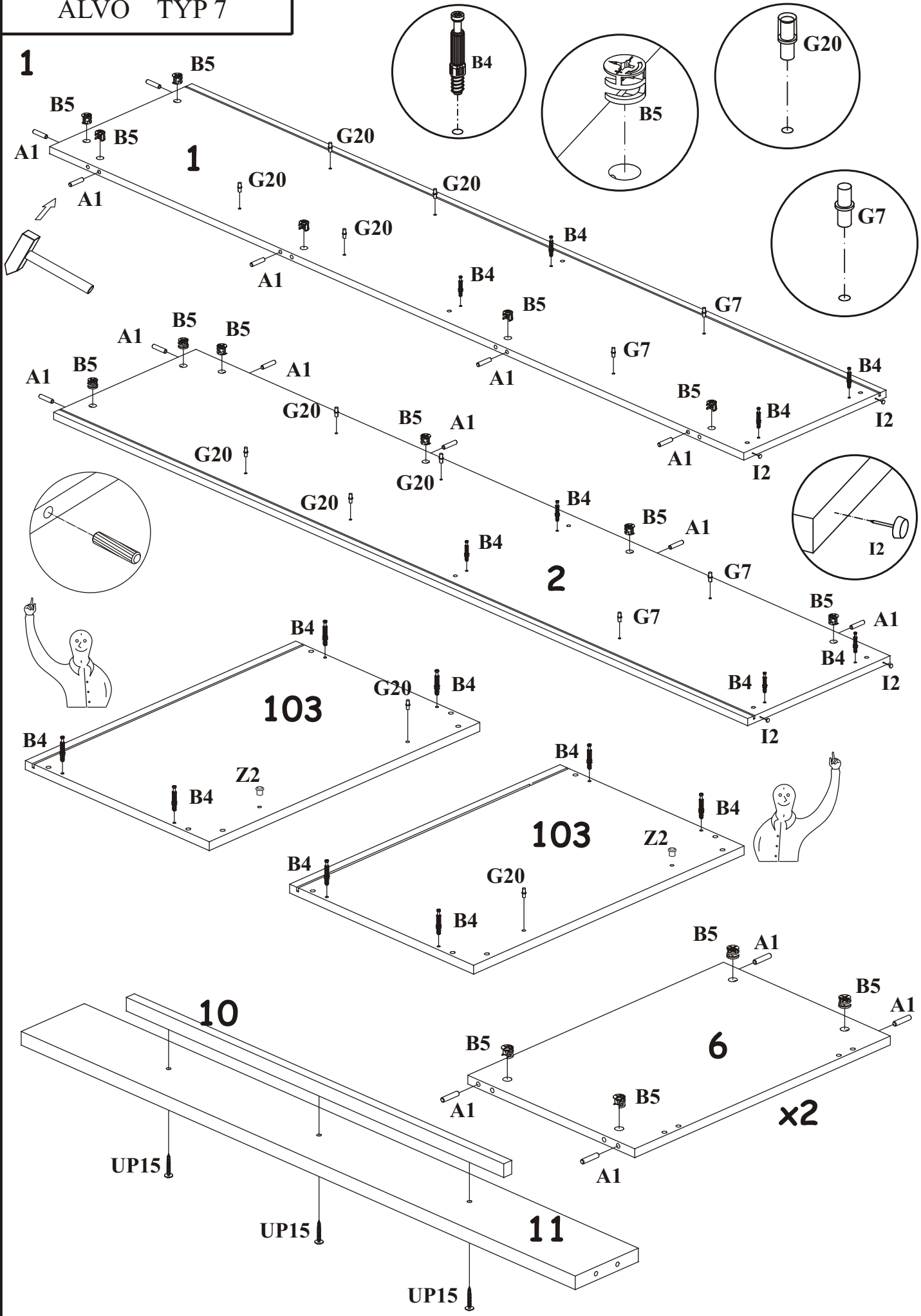


KR1 X1		L1 X1		B3 X10	 Ø1,4x25	G7 X4		S1 X14			
A1 X22	 ø8x36	B4 X20		B5 X20	 ø15x12	G5 X20		B11 X4	 Ø7x50		
E13 X3		E2 X3	 H=0	UP13 X8	 UPØ3x16	I2 X4		P2 X8		Z2 X1	 Ø8
Z3 X4	 Ø8	D10 X8	 USØ3,5x13	G20 X9		G2 X1		UP15 X3	 UPØ4x25	G4 X4	

ALVO TYP 7

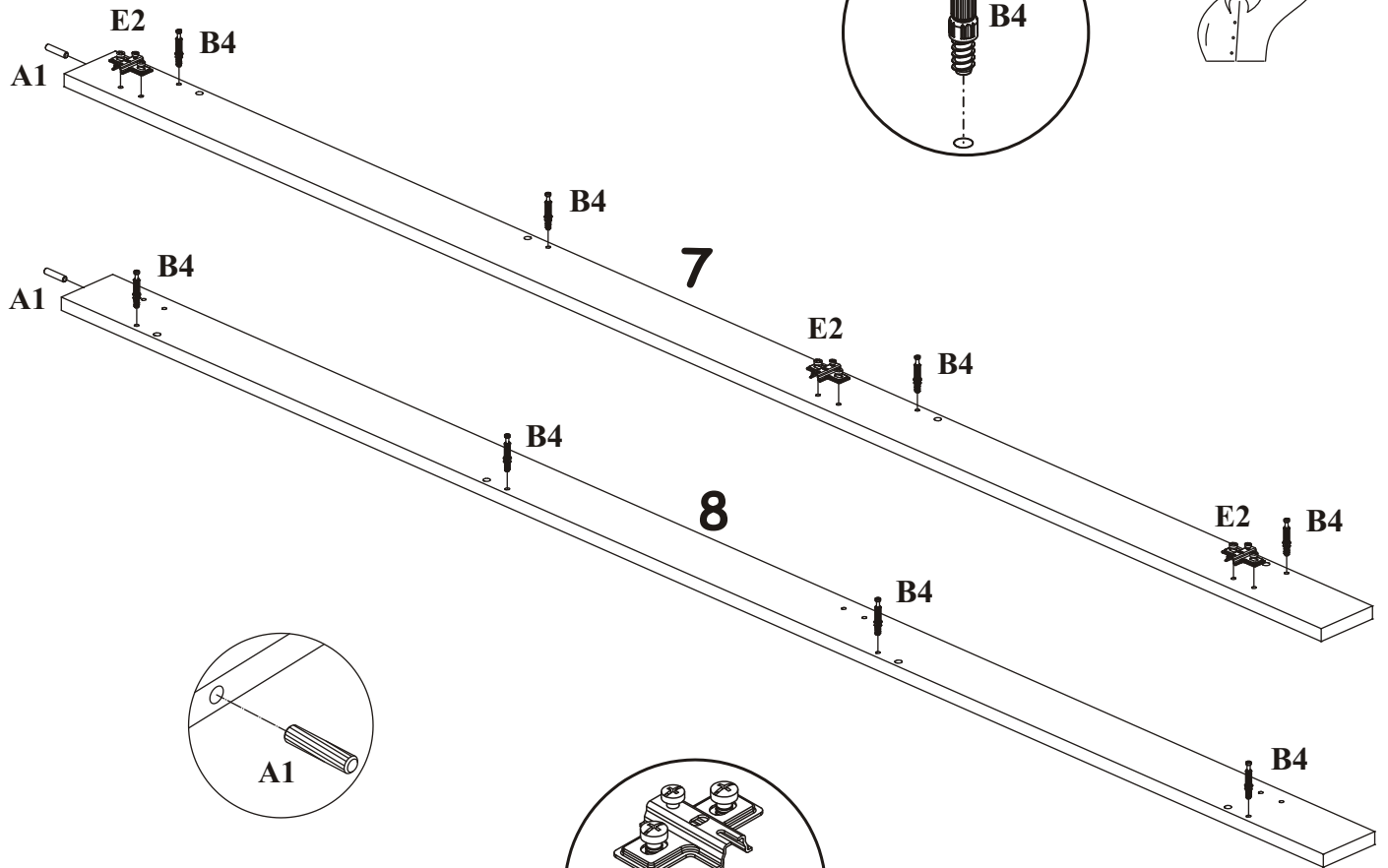


ALVO TYP 7

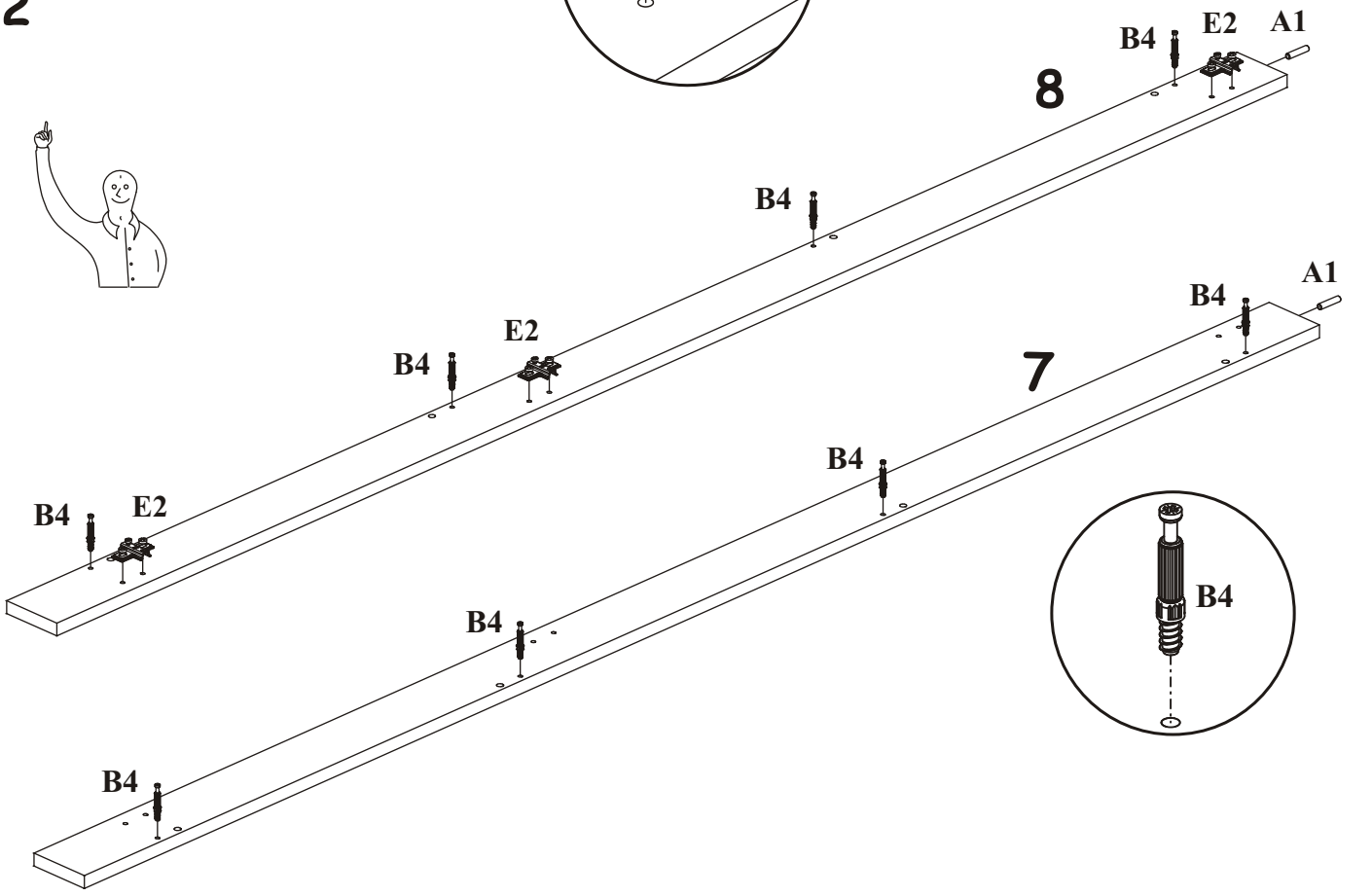


ALVO TYP 7

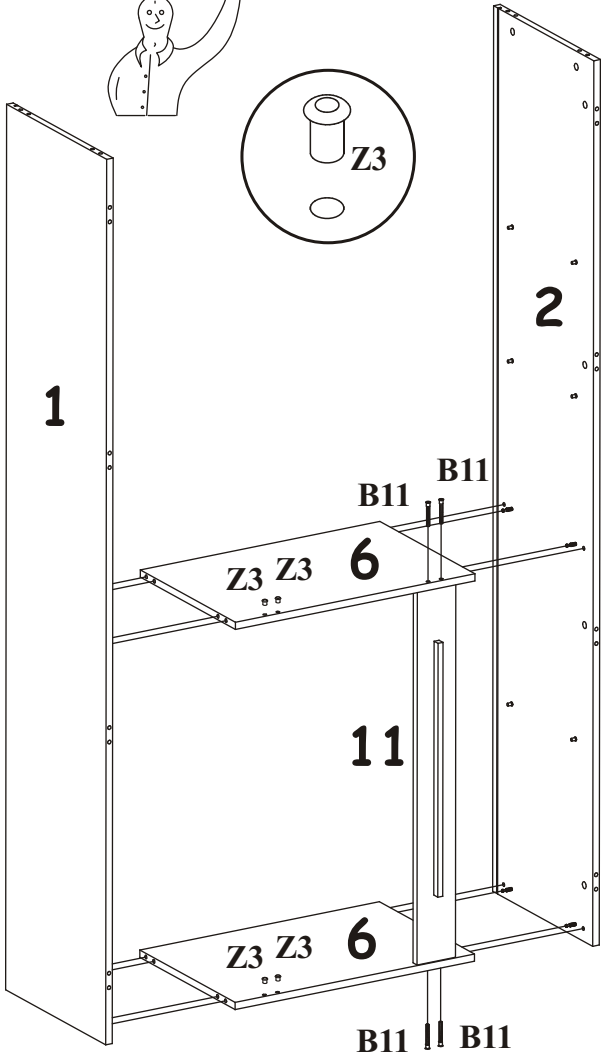
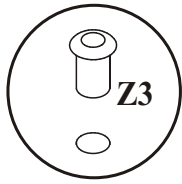
2



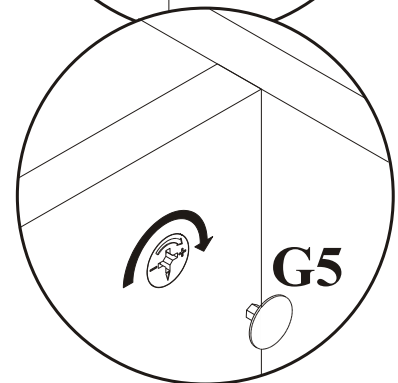
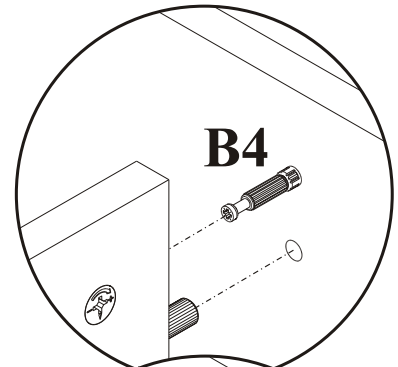
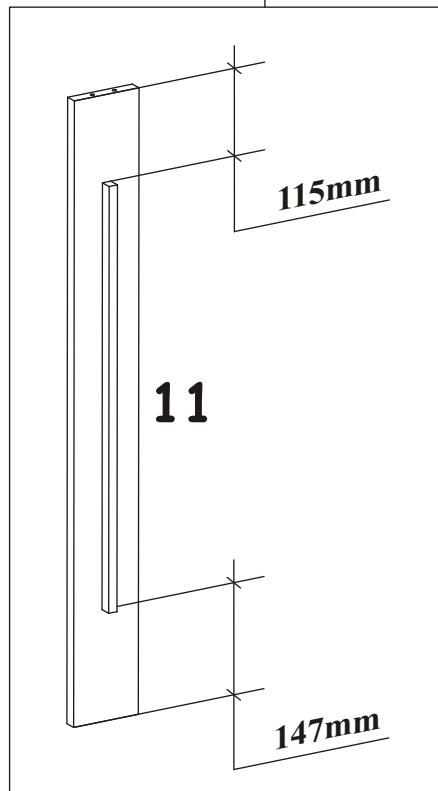
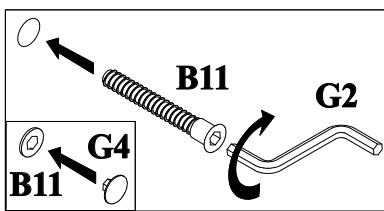
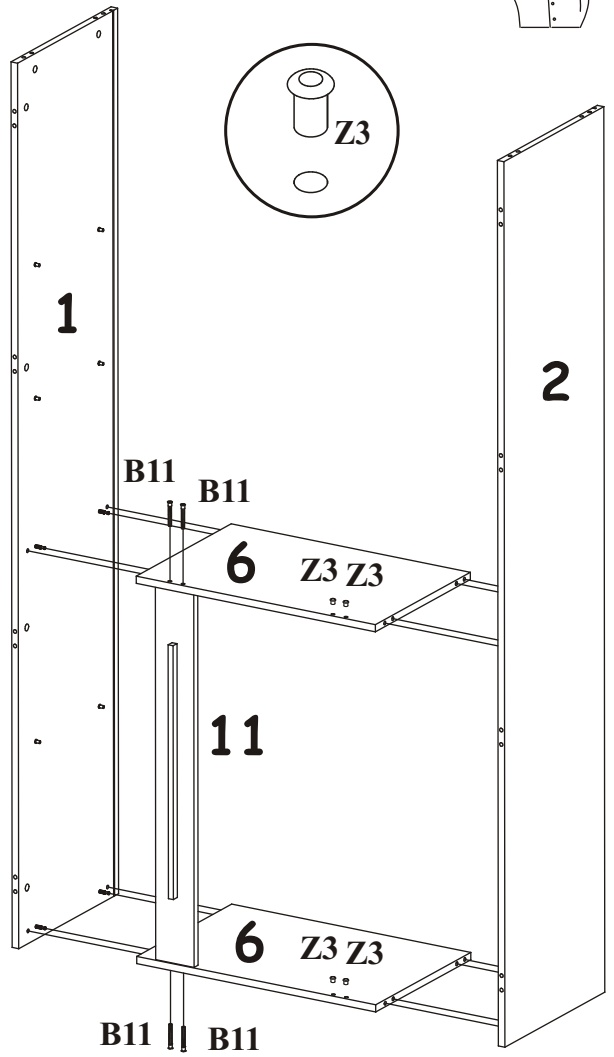
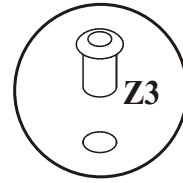
2



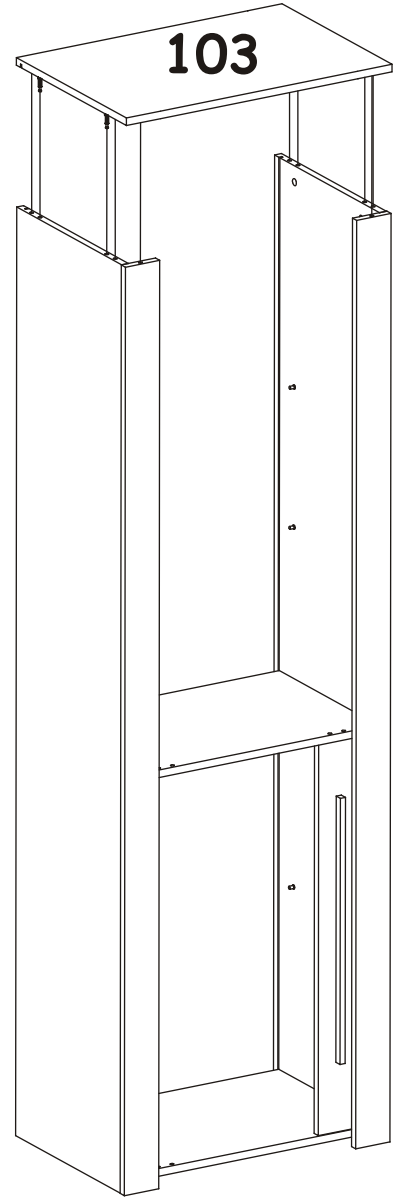
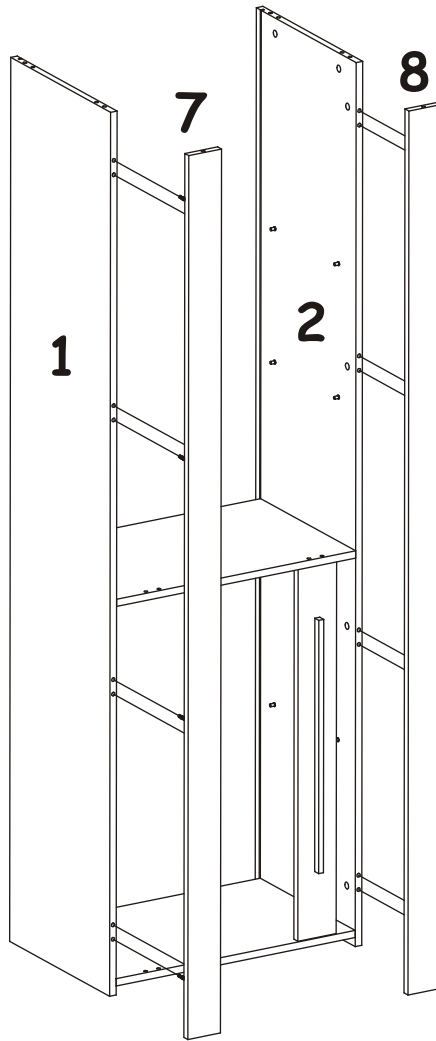
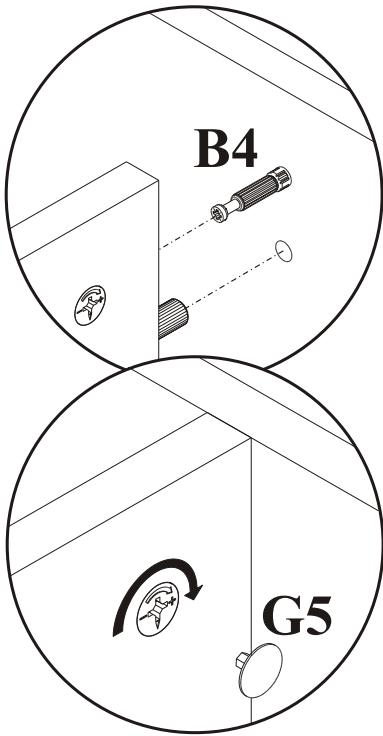
5



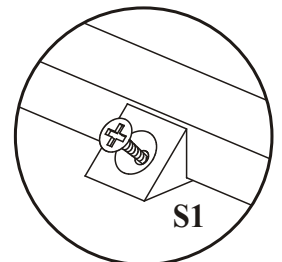
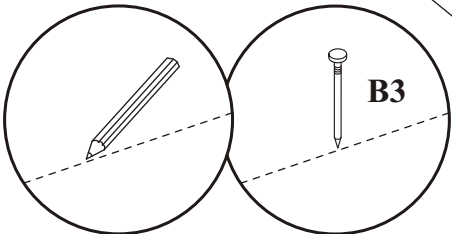
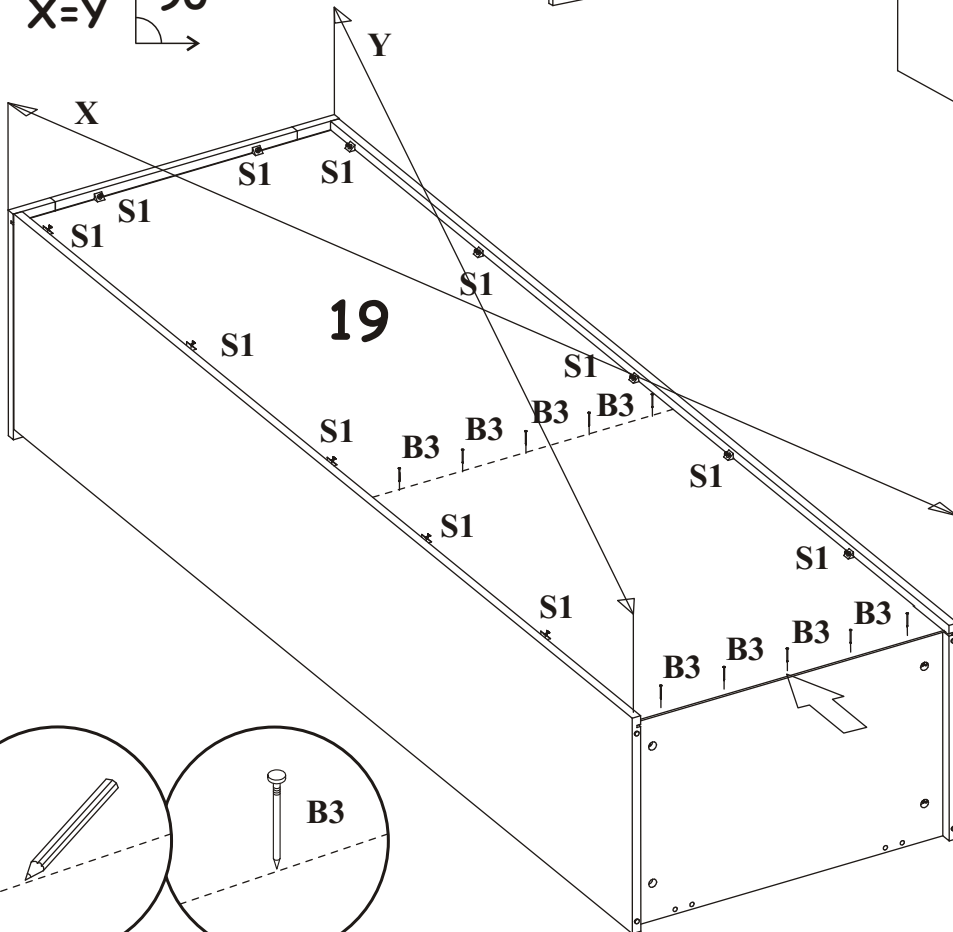
5



6



$X=Y$ 90°



7

