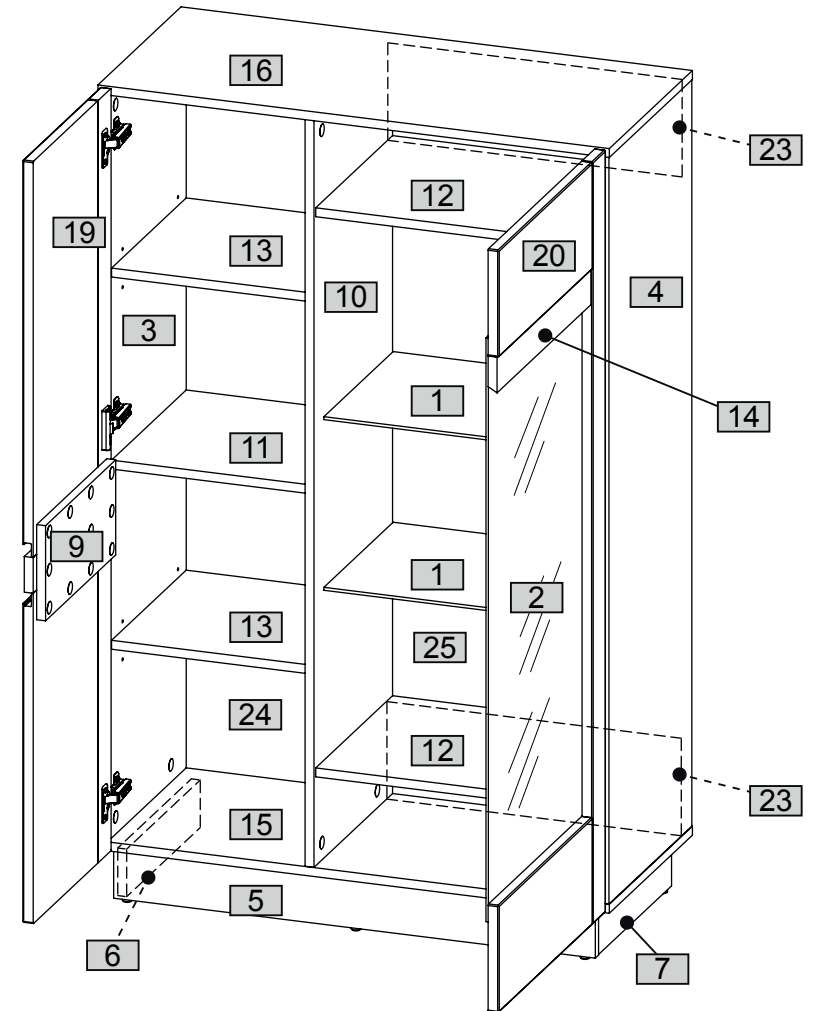
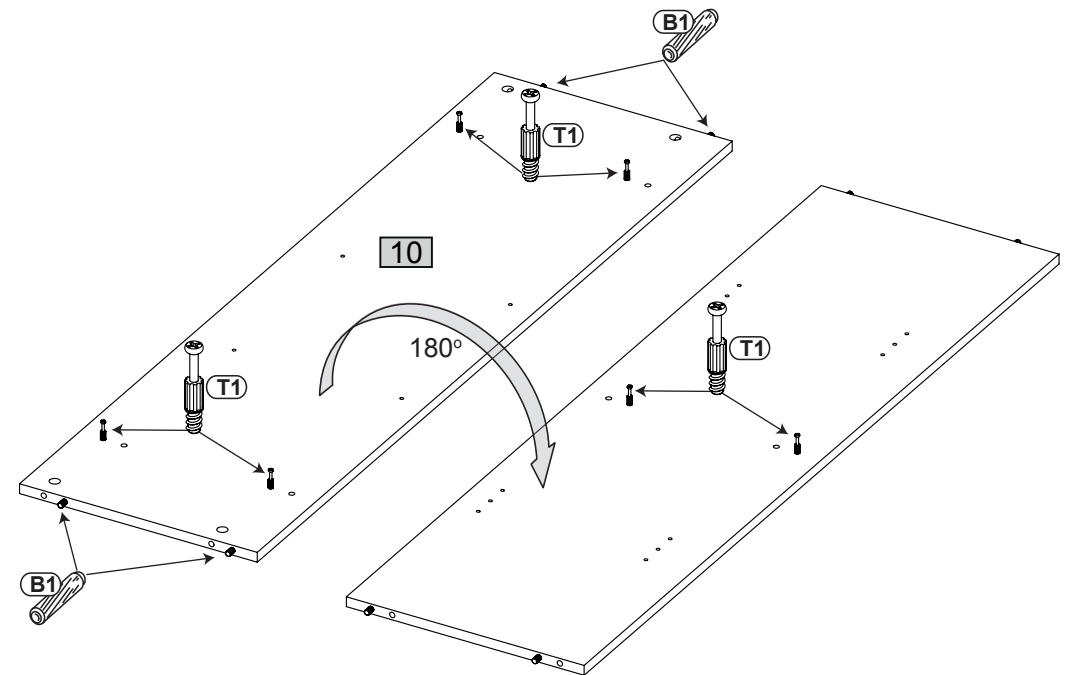
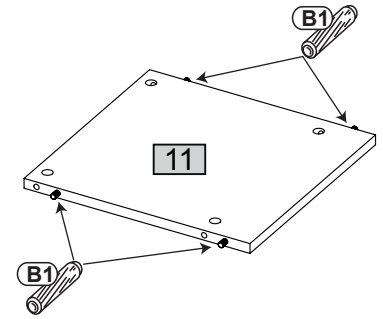
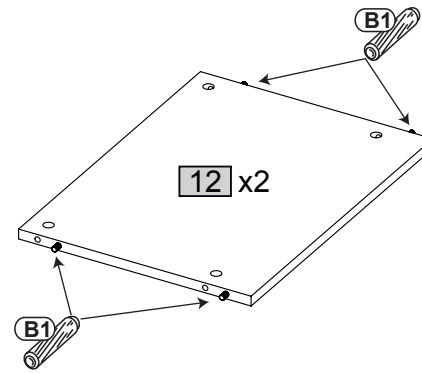
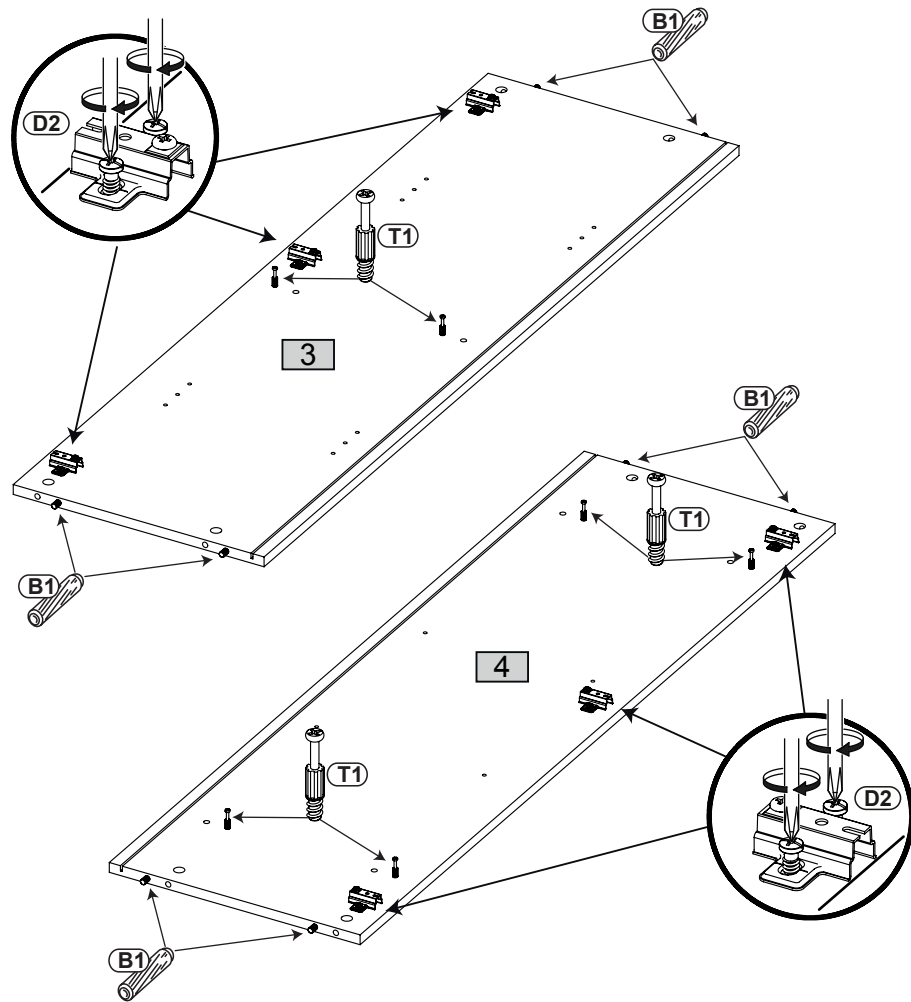
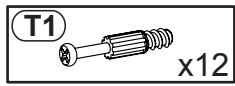
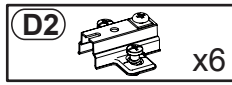
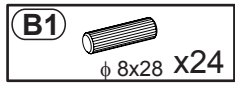


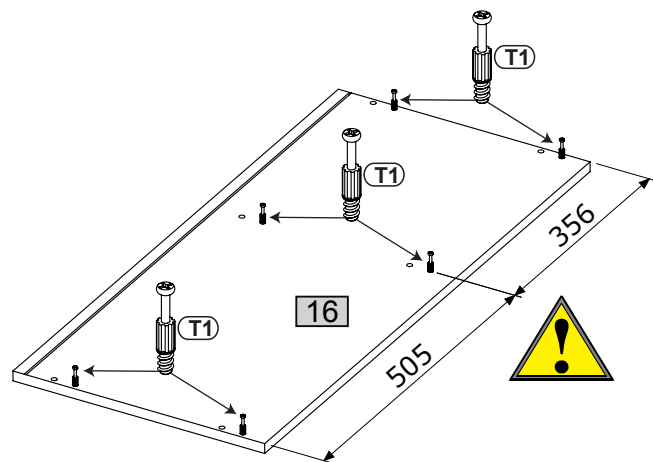
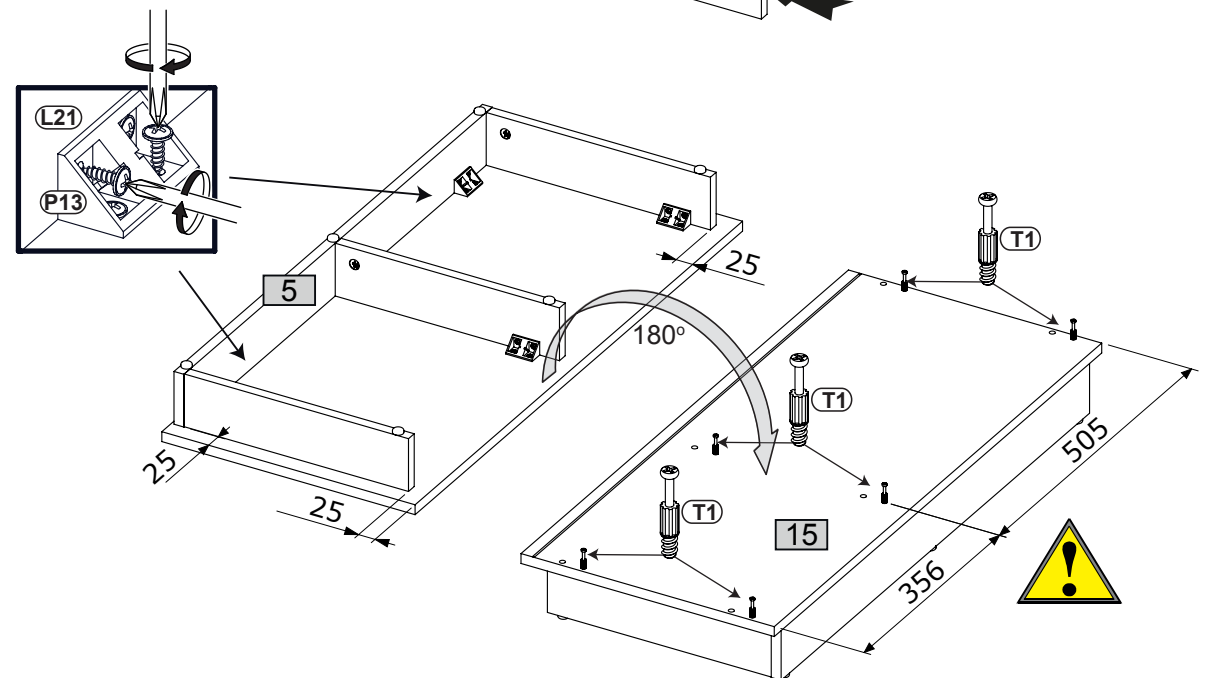
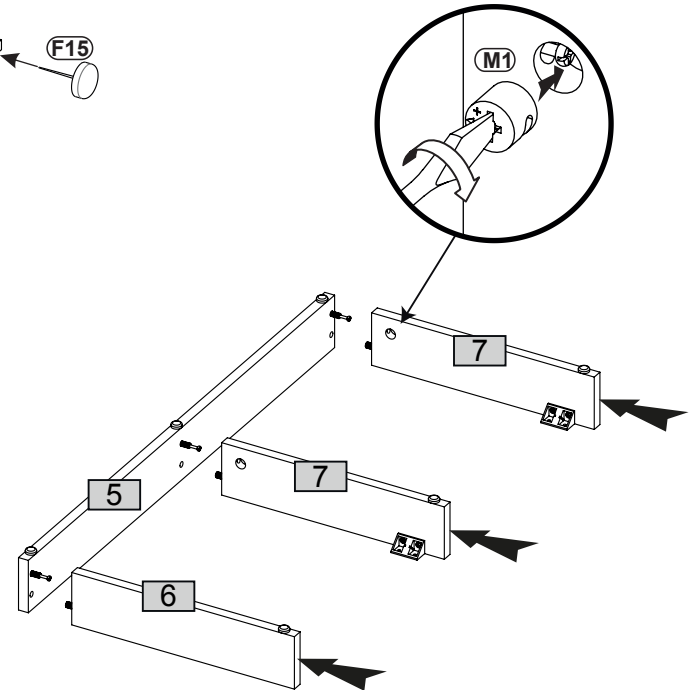
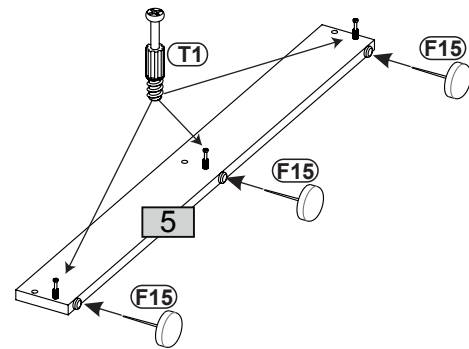
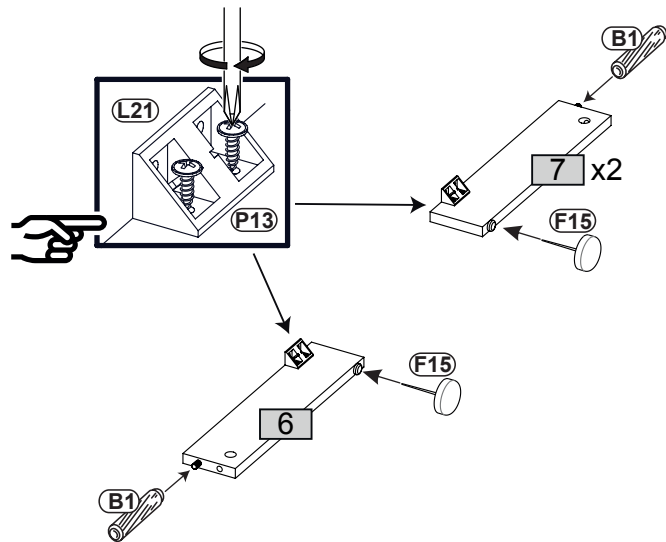
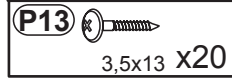
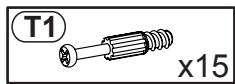
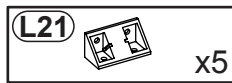
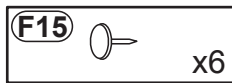
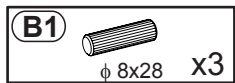
| Nr | Ausmaß | | | St | Colli |
|----|--------|-----|----|----|-------|
| 1 | 480 | 320 | 5 | 2 | 2 |
| 2 | 982 | 451 | 4 | 1 | 1 |
| 3 | 1256 | 383 | 15 | 1 | 1 |
| 4 | 1256 | 383 | 15 | 1 | 1 |
| 5 | 810 | 80 | 15 | 1 | 1 |
| 6 | 340 | 80 | 15 | 1 | 1 |
| 7 | 340 | 80 | 15 | 2 | 1 |
| 9 | 324 | 160 | 15 | 1 | 2 |
| 10 | 1256 | 360 | 15 | 1 | 2 |
| 11 | 332 | 345 | 15 | 1 | 2 |
| 12 | 481 | 355 | 15 | 2 | 2 |
| 13 | 332 | 345 | 15 | 2 | 2 |
| 14 | 434 | 60 | 15 | 1 | 2 |
| 15 | 860 | 384 | 15 | 1 | 2 |
| 16 | 860 | 384 | 15 | 1 | 2 |
| 19 | 1282 | 360 | 18 | 1 | 2 |
| 20 | 1282 | 494 | 18 | 1 | 1 |
| 23 | 495 | 164 | 2 | 2 | 1 |
| 24 | 1270 | 346 | 2 | 1 | 2 |
| 25 | 495 | 941 | 2 | 1 | 1 |



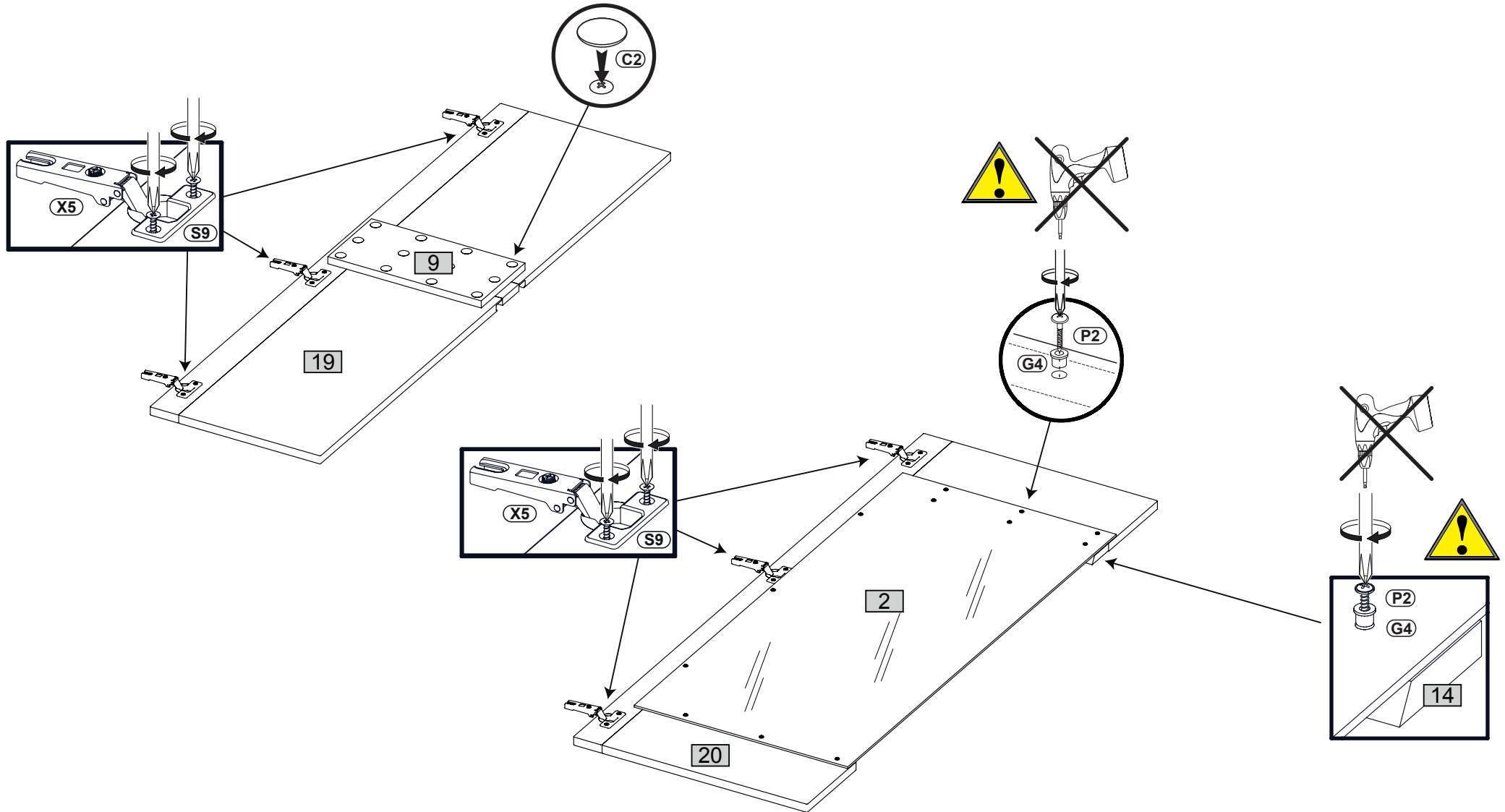
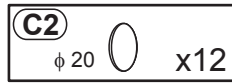
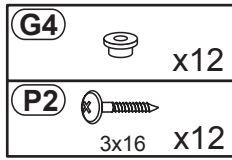
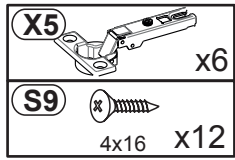
1



2

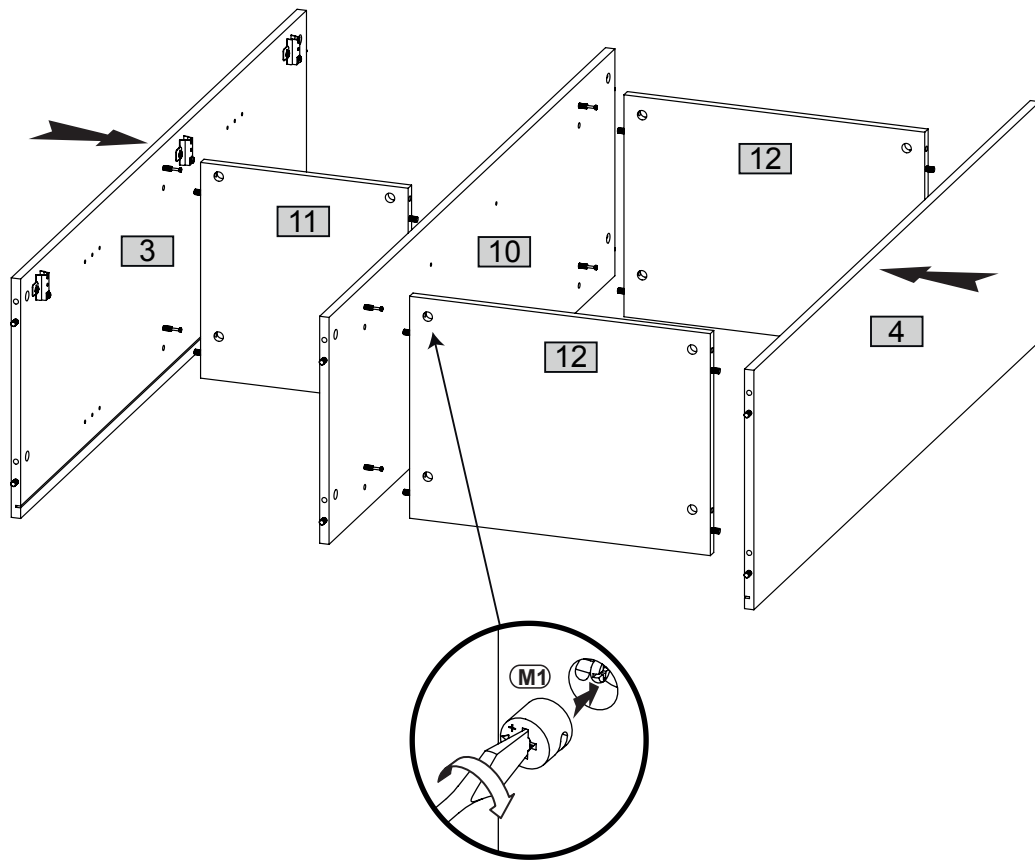


3



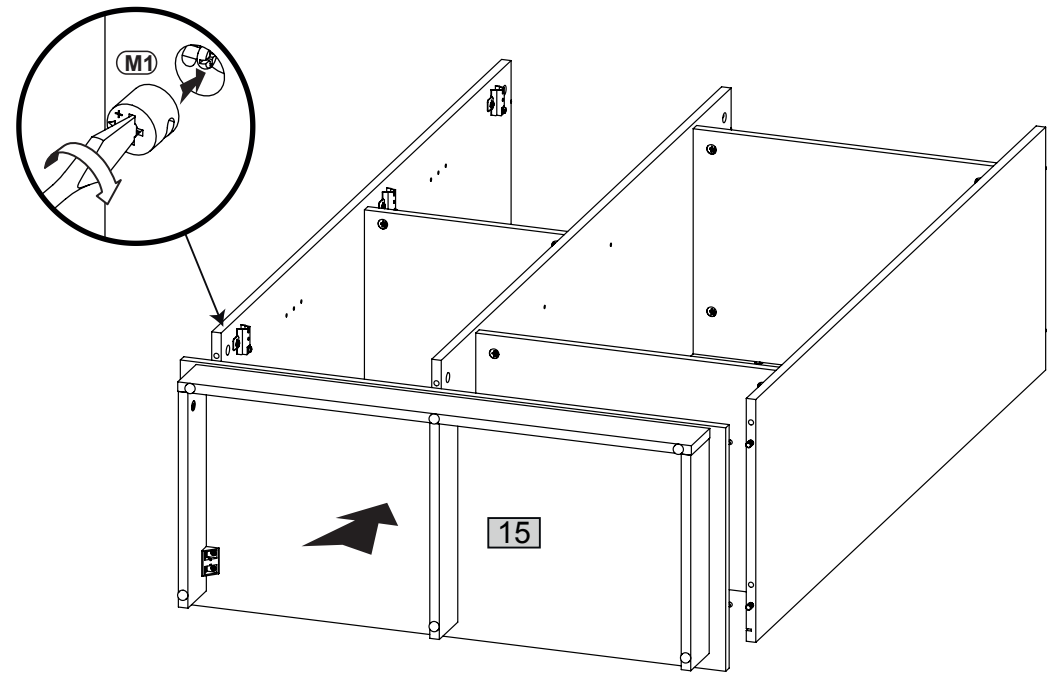
4

M1  x12

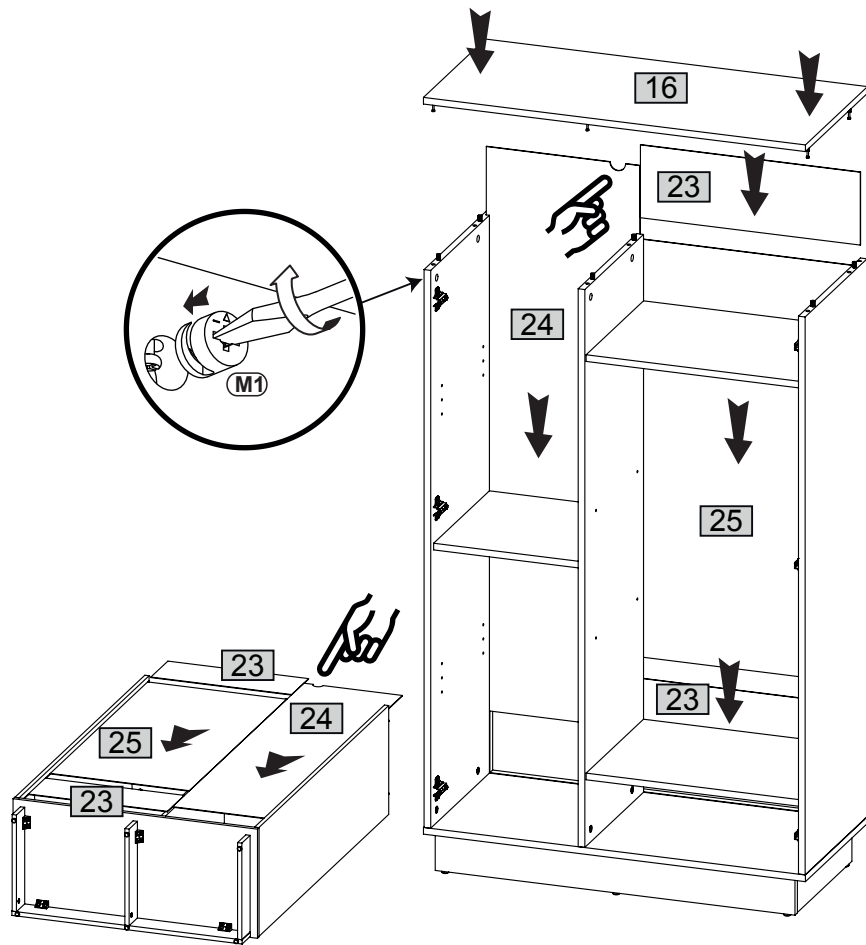


5

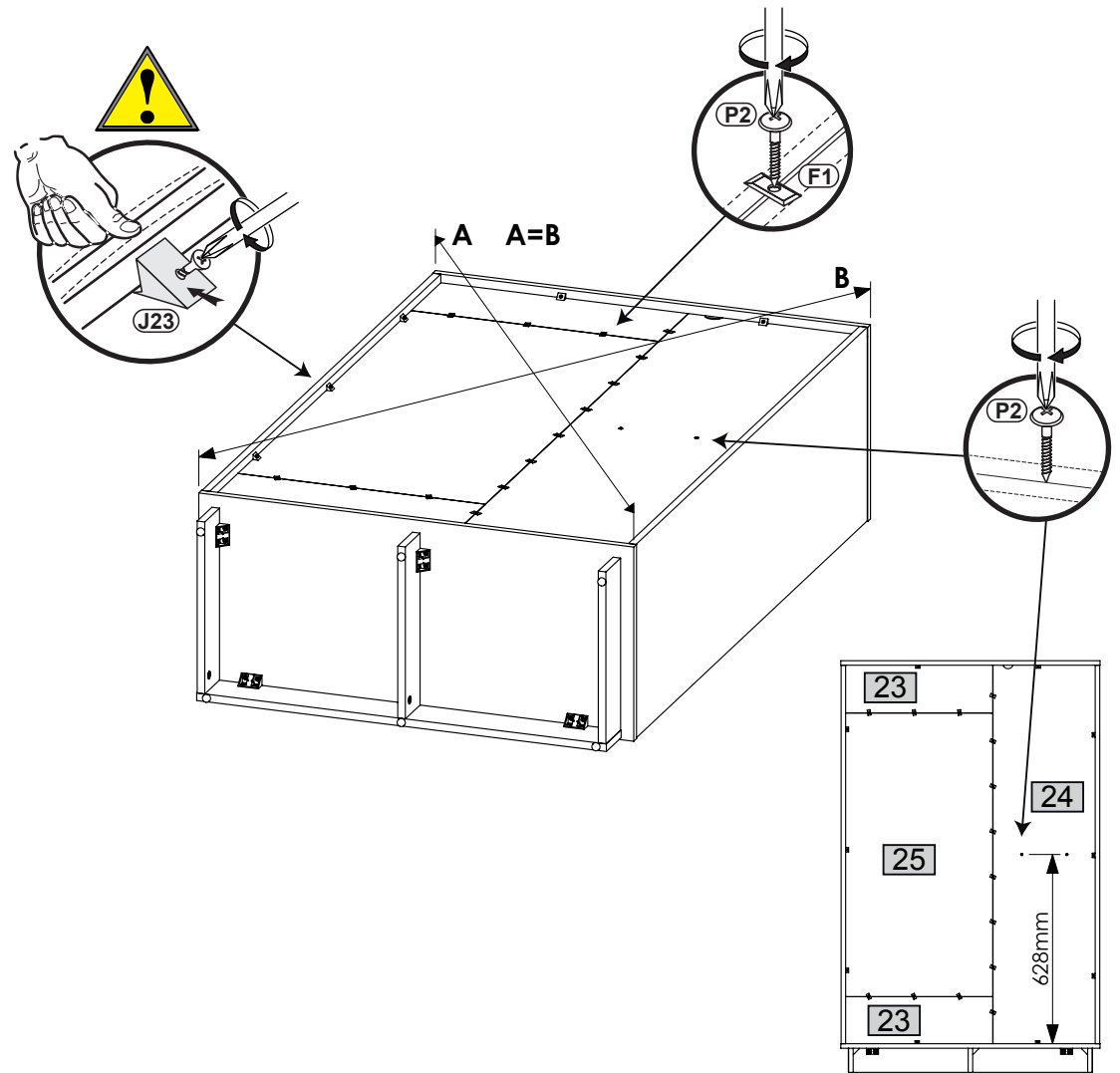
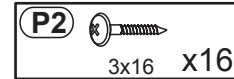
M1  x6



6



7



8

