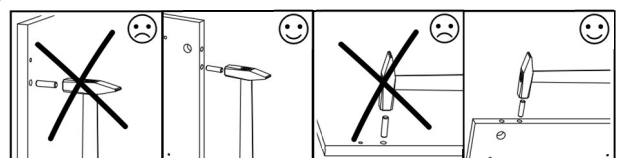
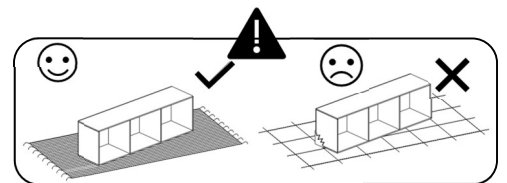
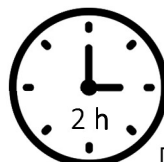
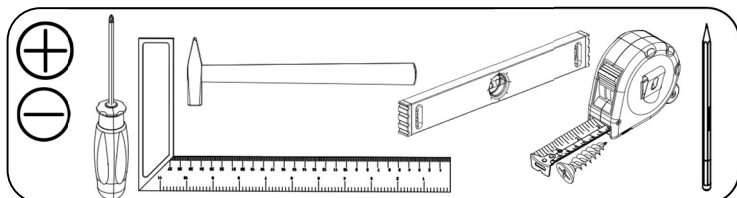
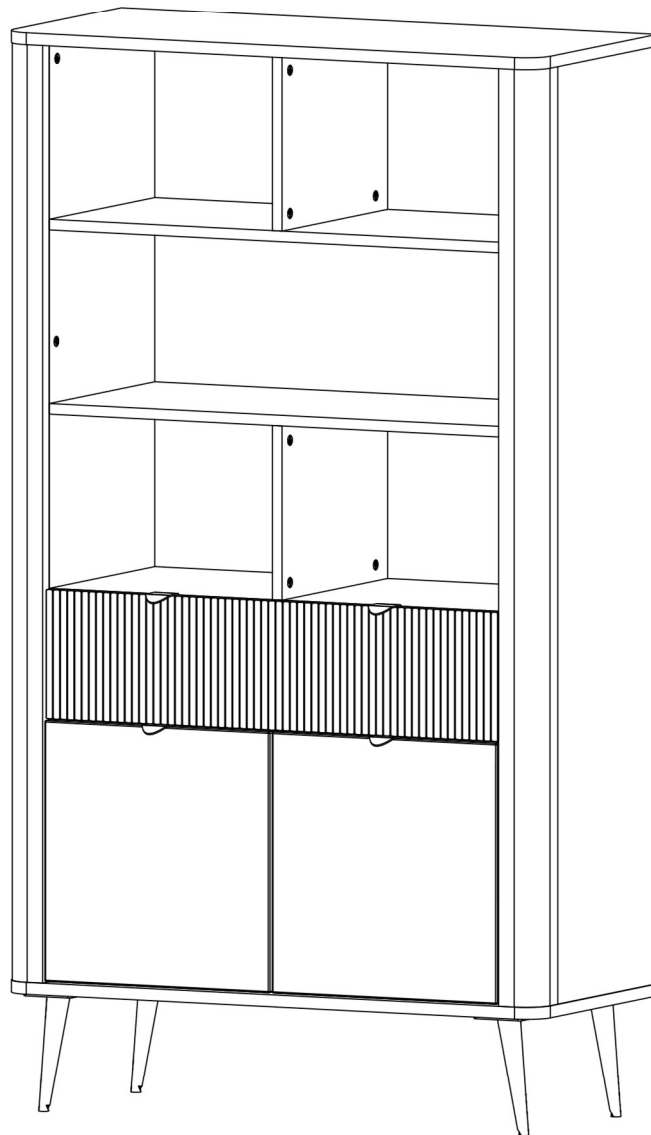
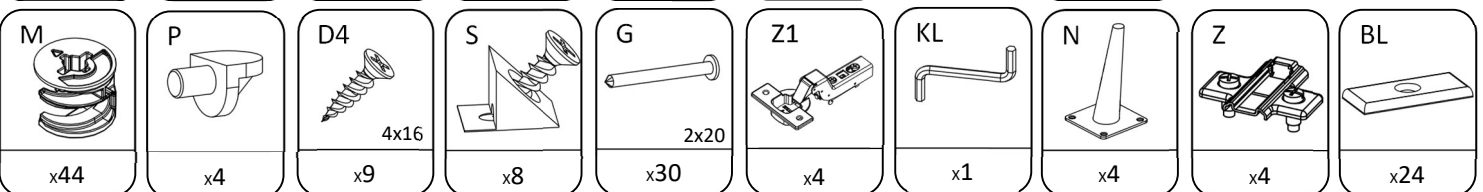
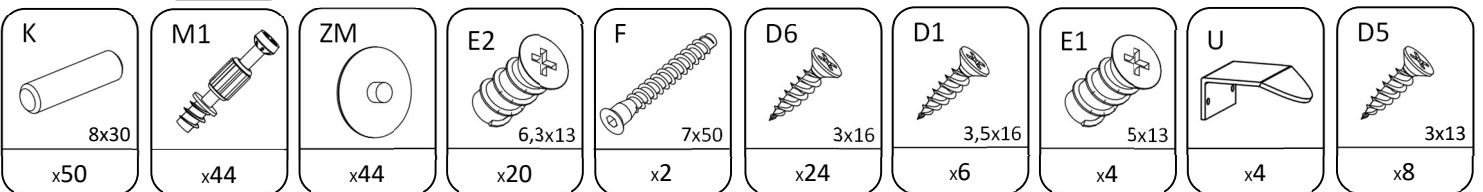
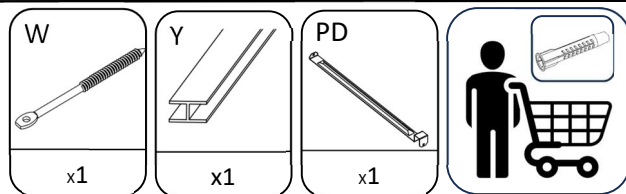
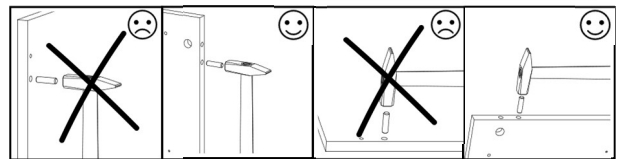
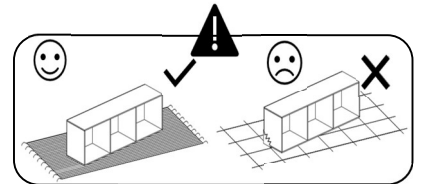
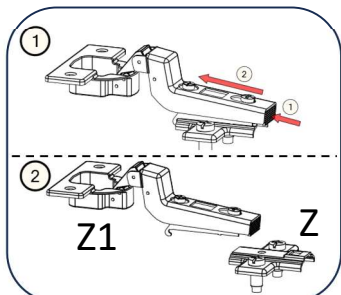
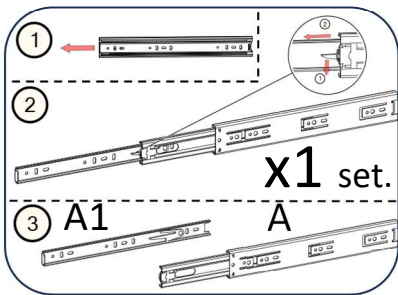
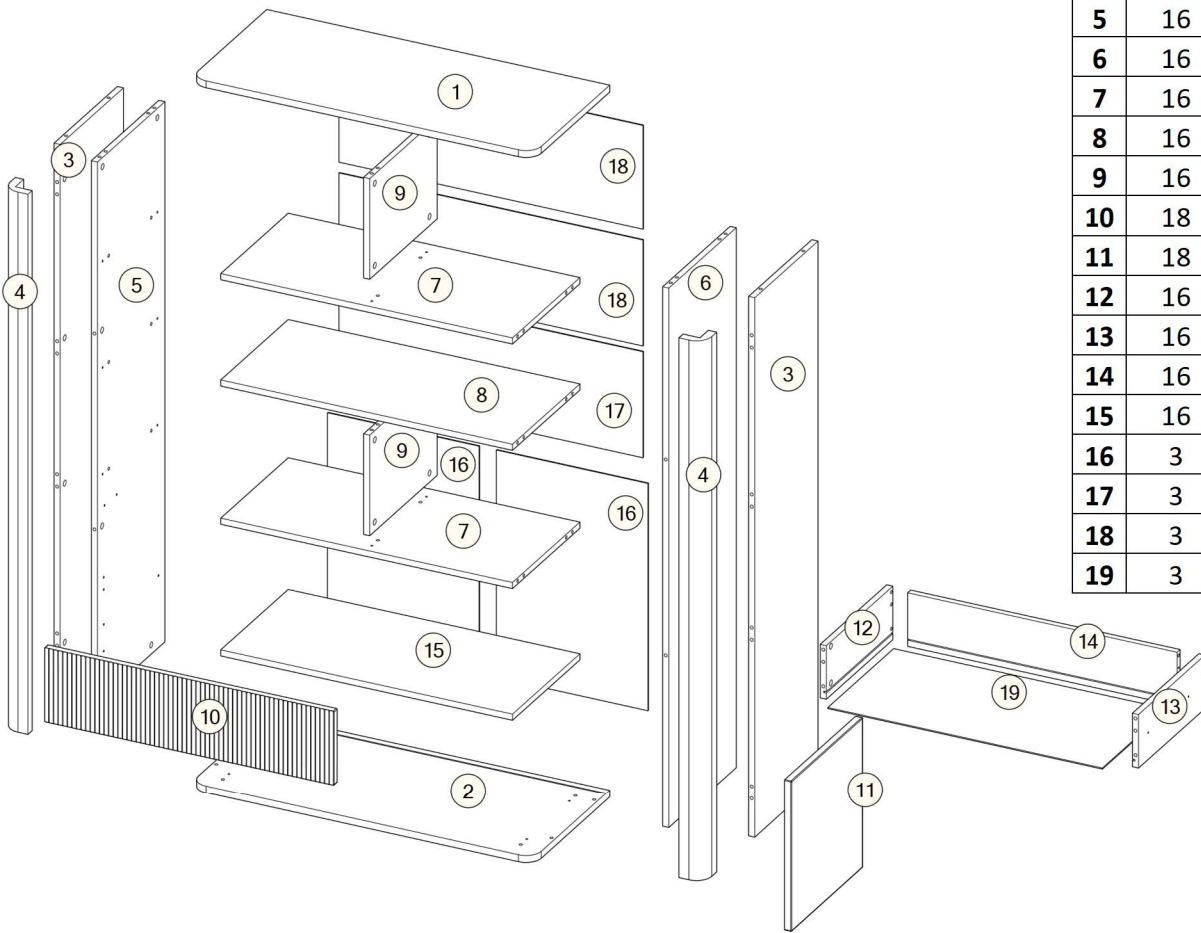


MARLY

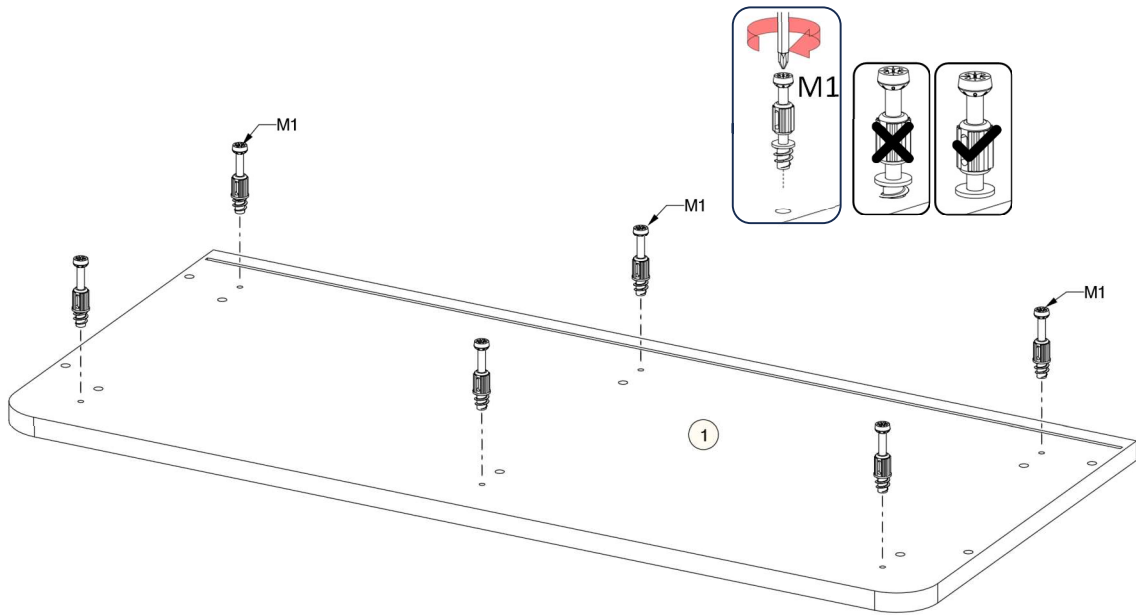
R-5



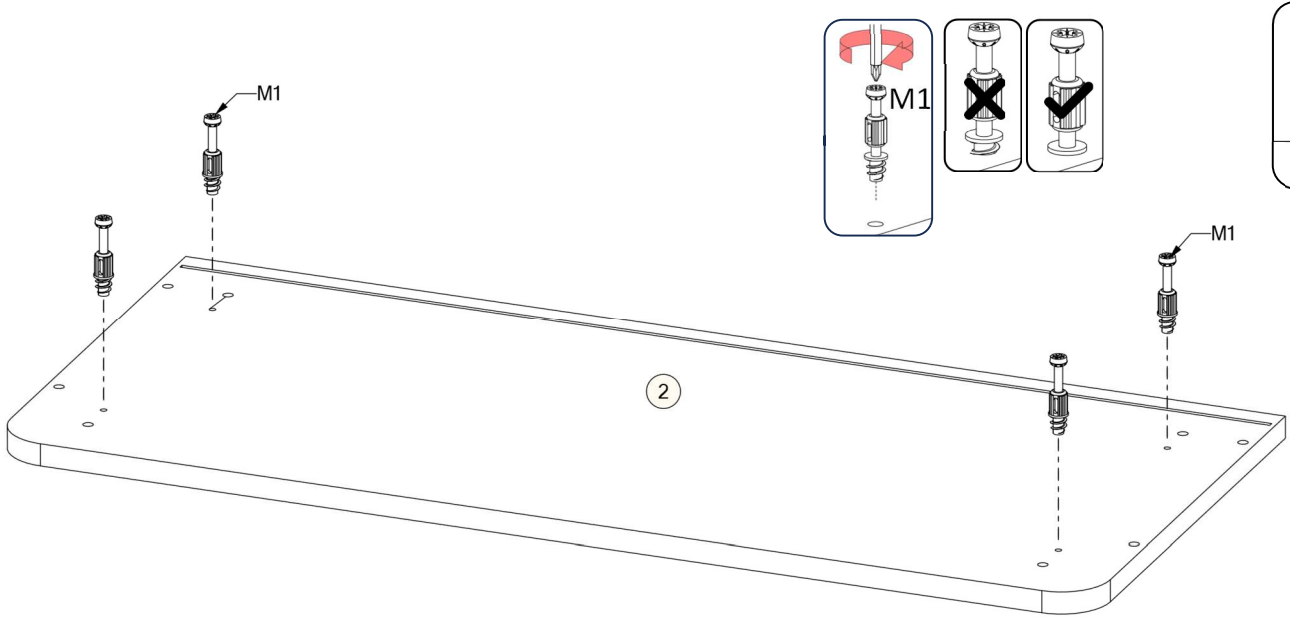
No	T(mm)	L(mm)	W(mm)	pcs.
1	18	896	400	1
2	18	896	400	1
3	16	1412	333	2
4	66	1412	66	2
5	16	1412	355	1
6	16	1412	355	1
7	16	762	355	2
8	16	762	355	1
9	16	263	355	2
10	18	194	756	1
11	18	393	376	2
12	16	350	140	1
13	16	350	140	1
14	16	704	140	1
15	16	762	355	1
16	3	594	396	2
17	3	794	278	1
18	3	794	274	2
19	3	717	346	1



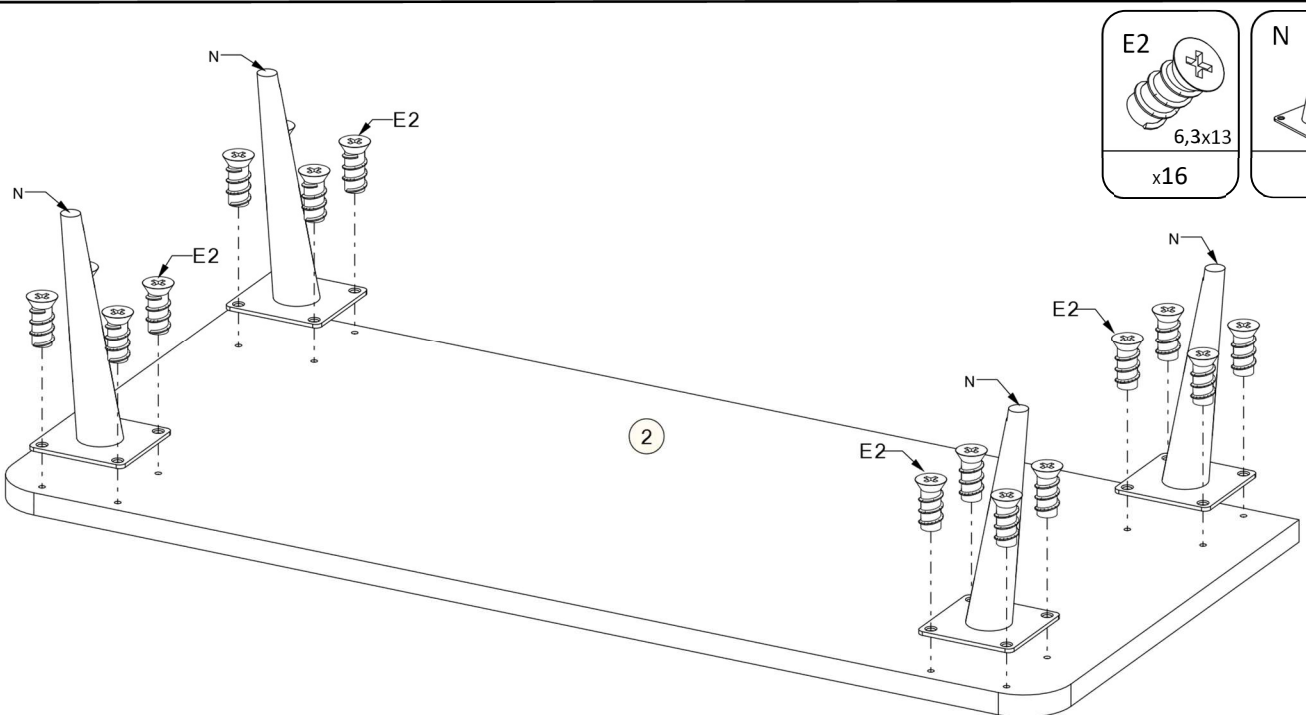
1



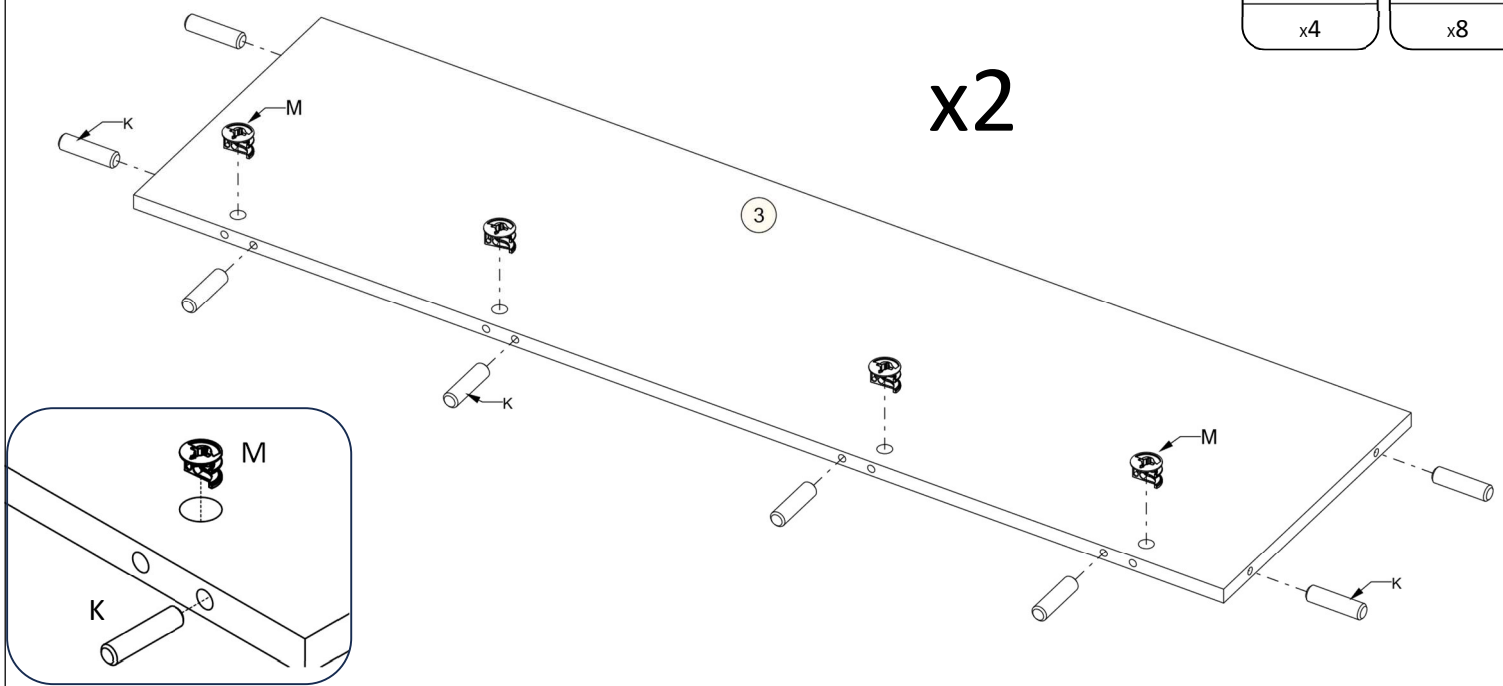
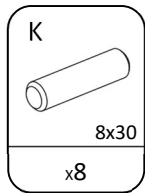
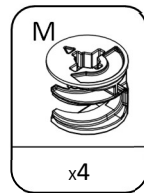
2



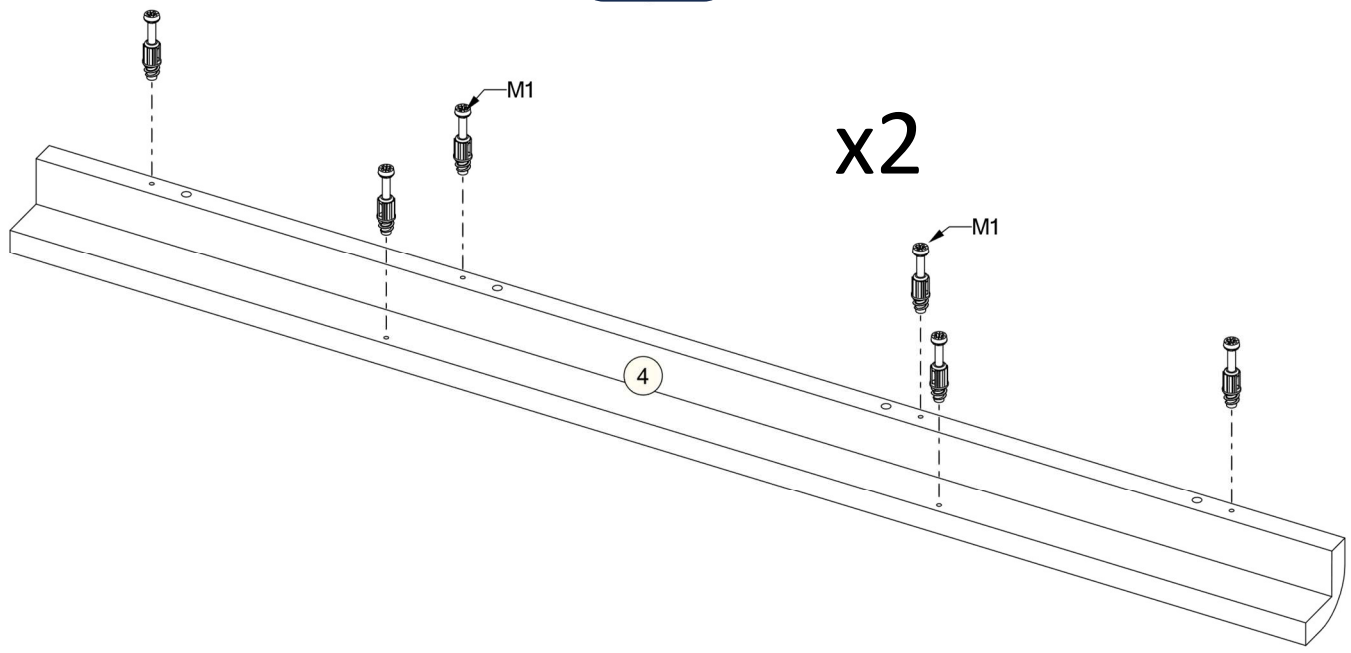
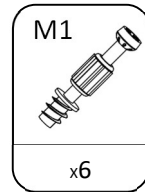
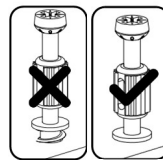
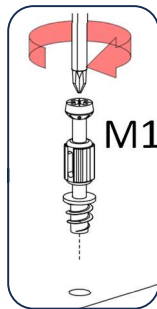
3



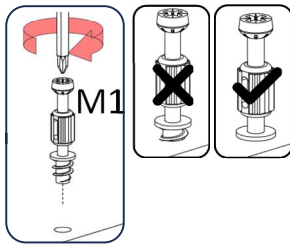
4



5

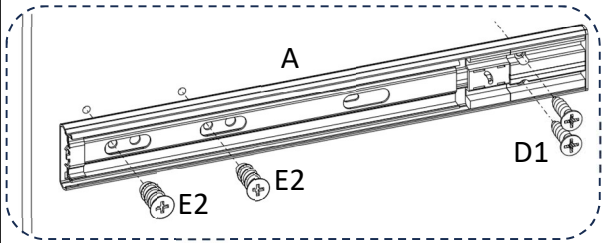
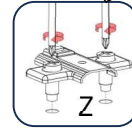
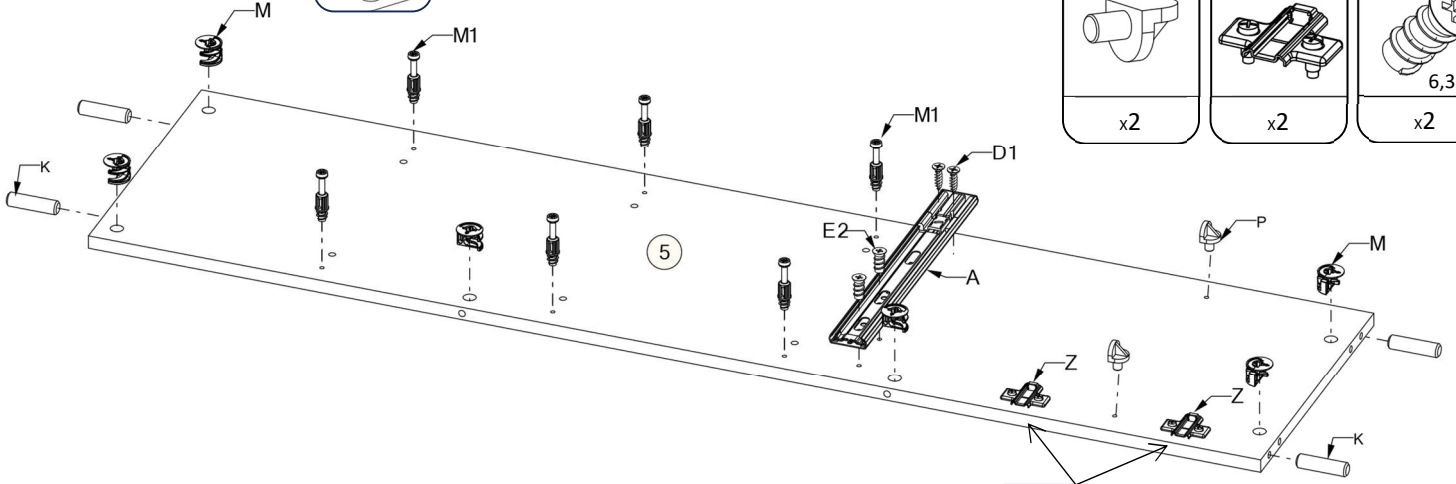


6



D1 3,5x16 x2	M1 x6	M x6	K 8x30 x4
------------------------	--------------	-------------	---------------------

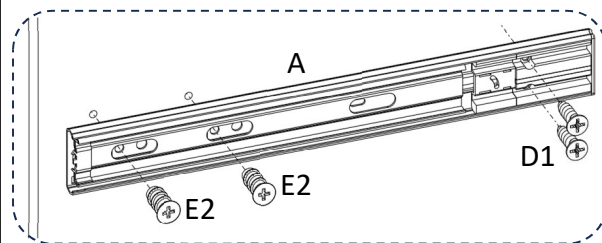
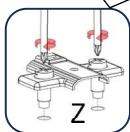
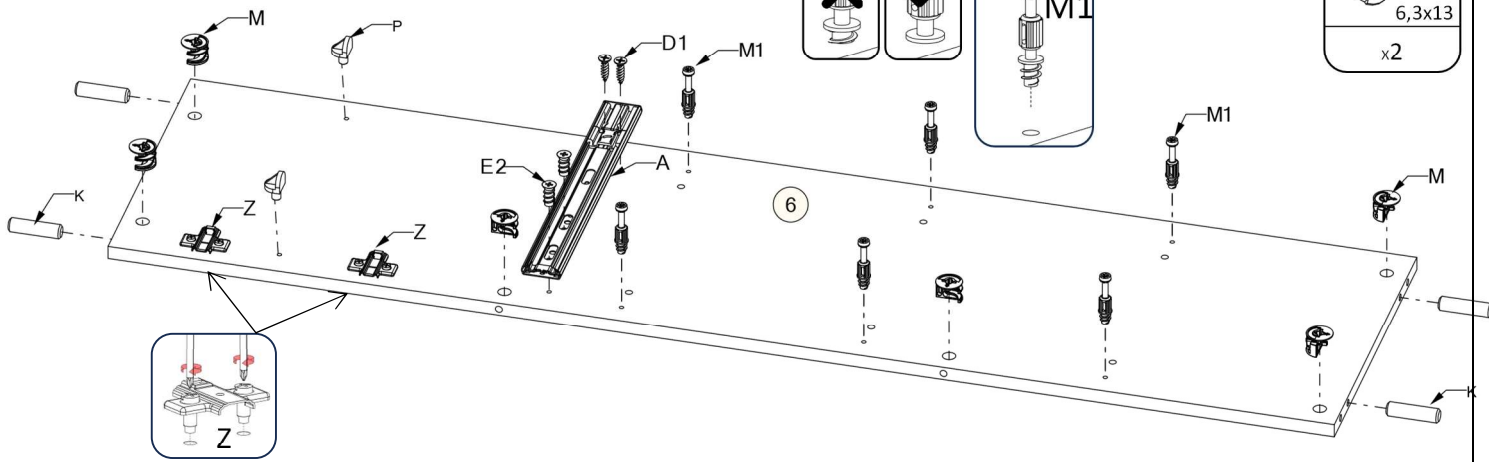
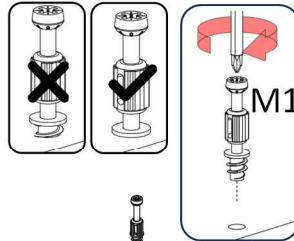
P x2	Z x2	E2 6,3x13 x2
-------------	-------------	------------------------



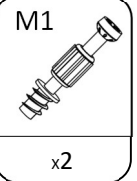
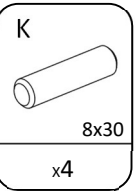
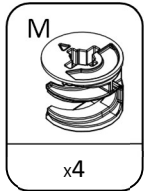
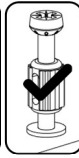
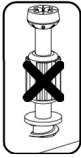
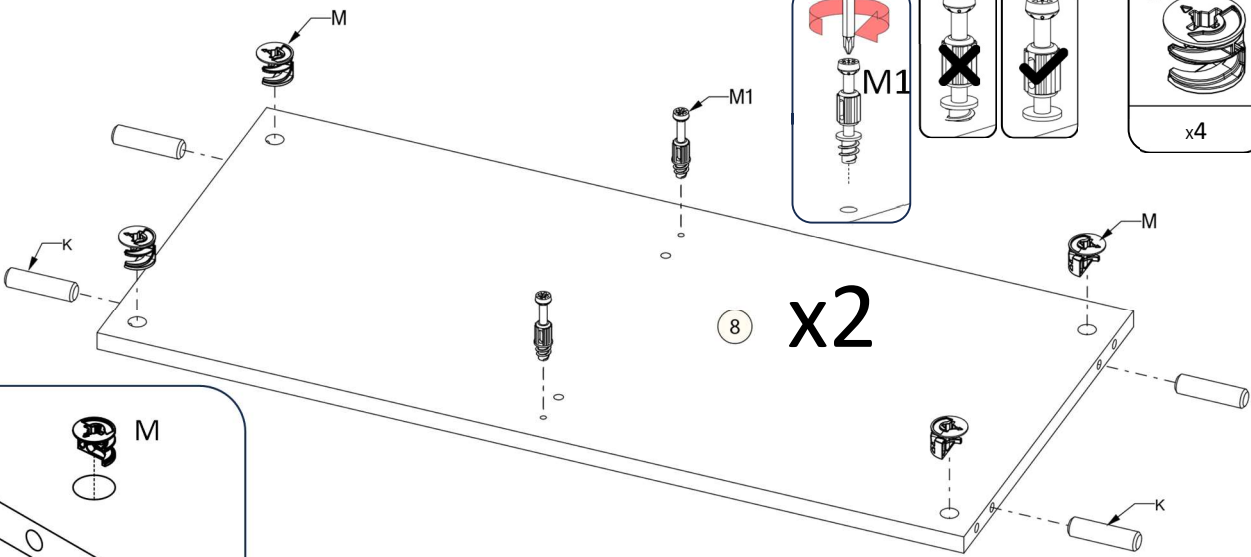
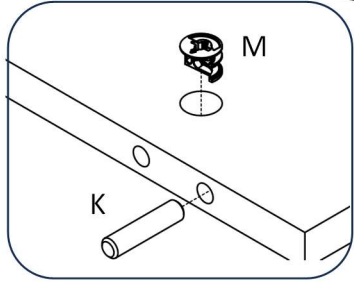
7

Z x2	P x2	D1 3,5x16 x2	M1 x6	M x6	K 8x30 x4
-------------	-------------	------------------------	--------------	-------------	---------------------

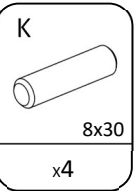
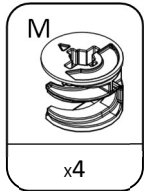
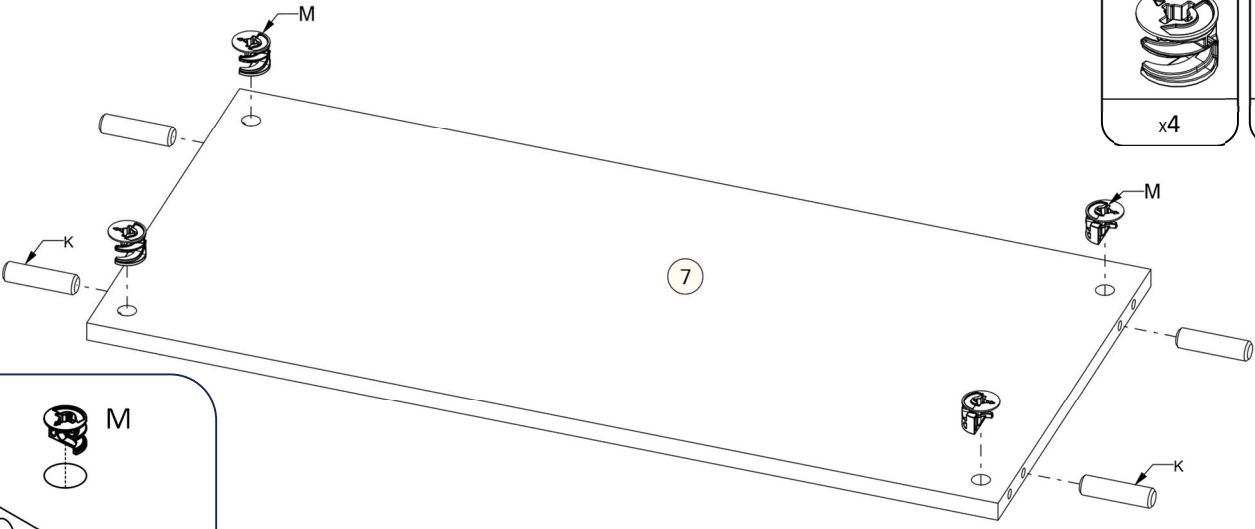
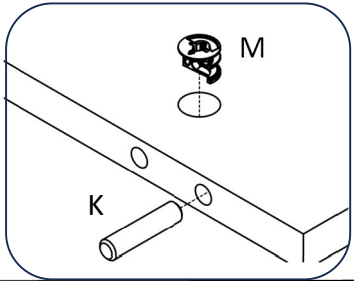
E2 6,3x13 x2



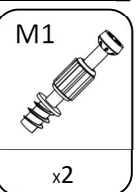
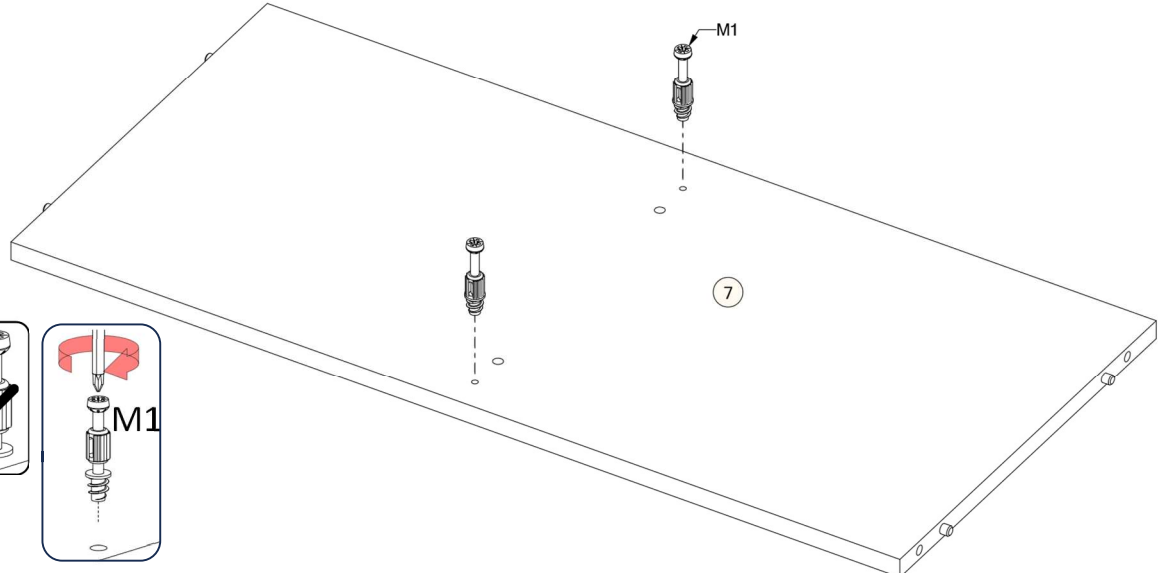
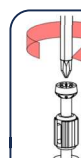
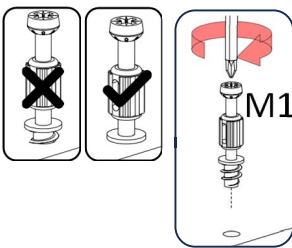
8



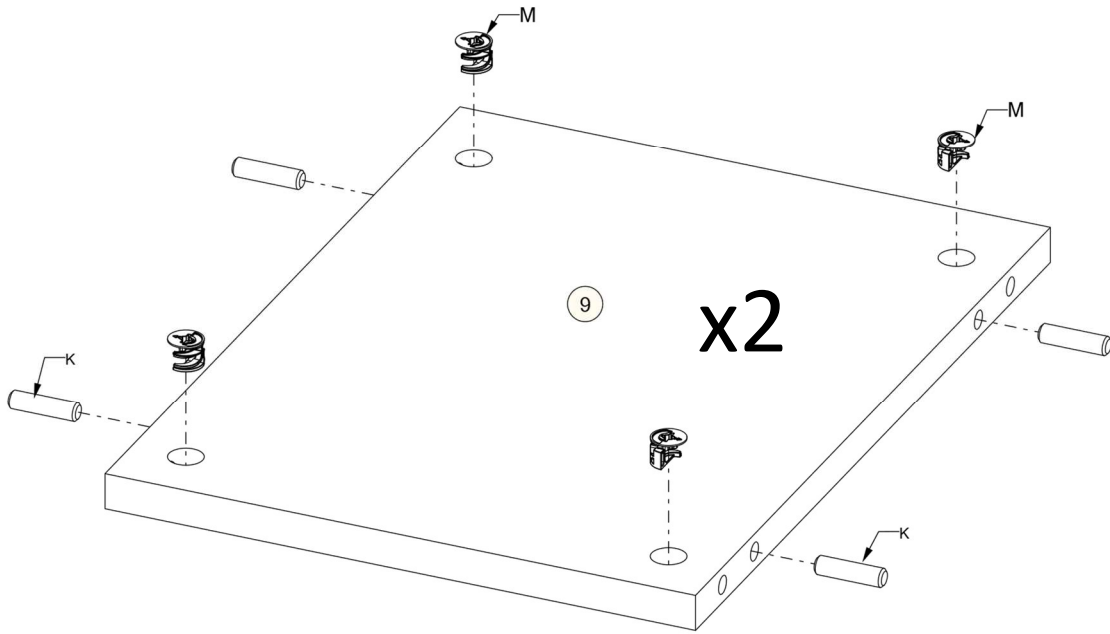
9


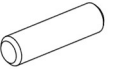


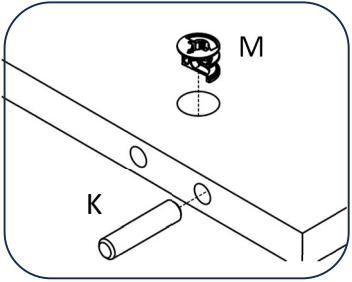
10



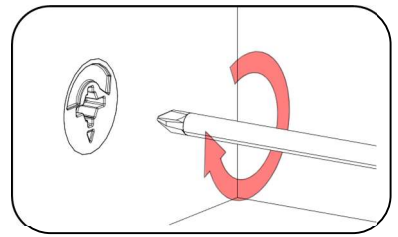
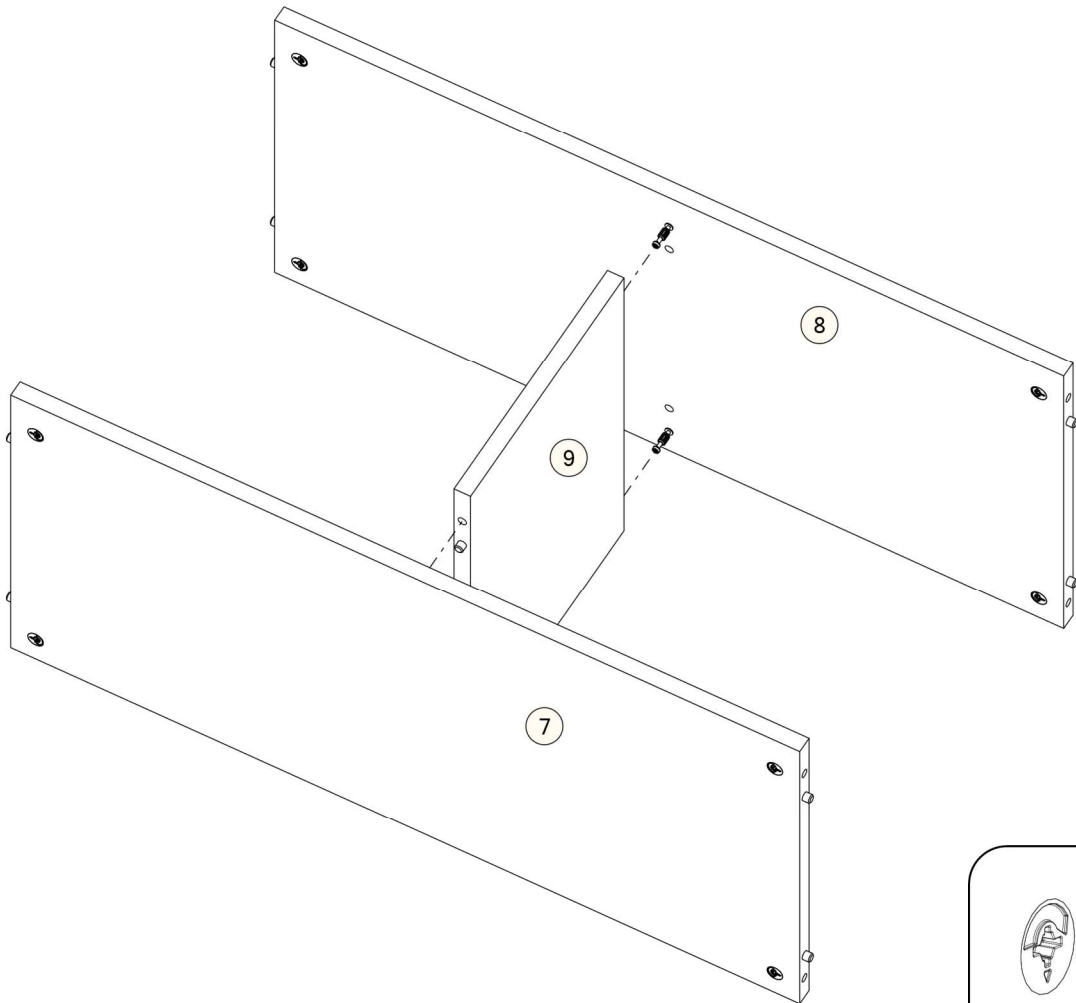
11



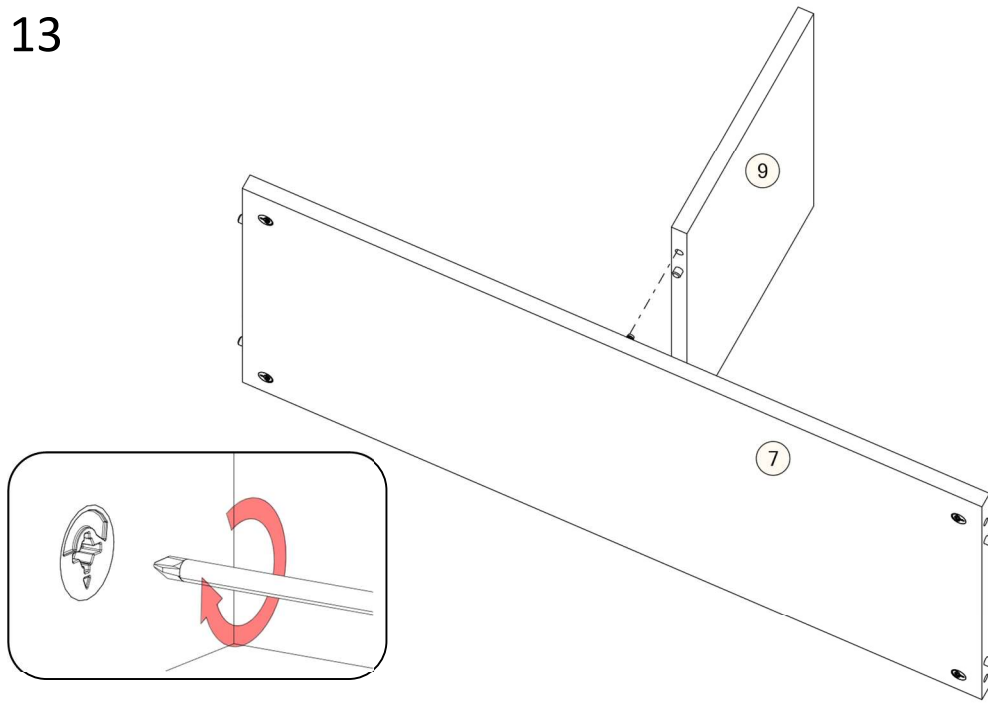
M	K
	
x4	x4



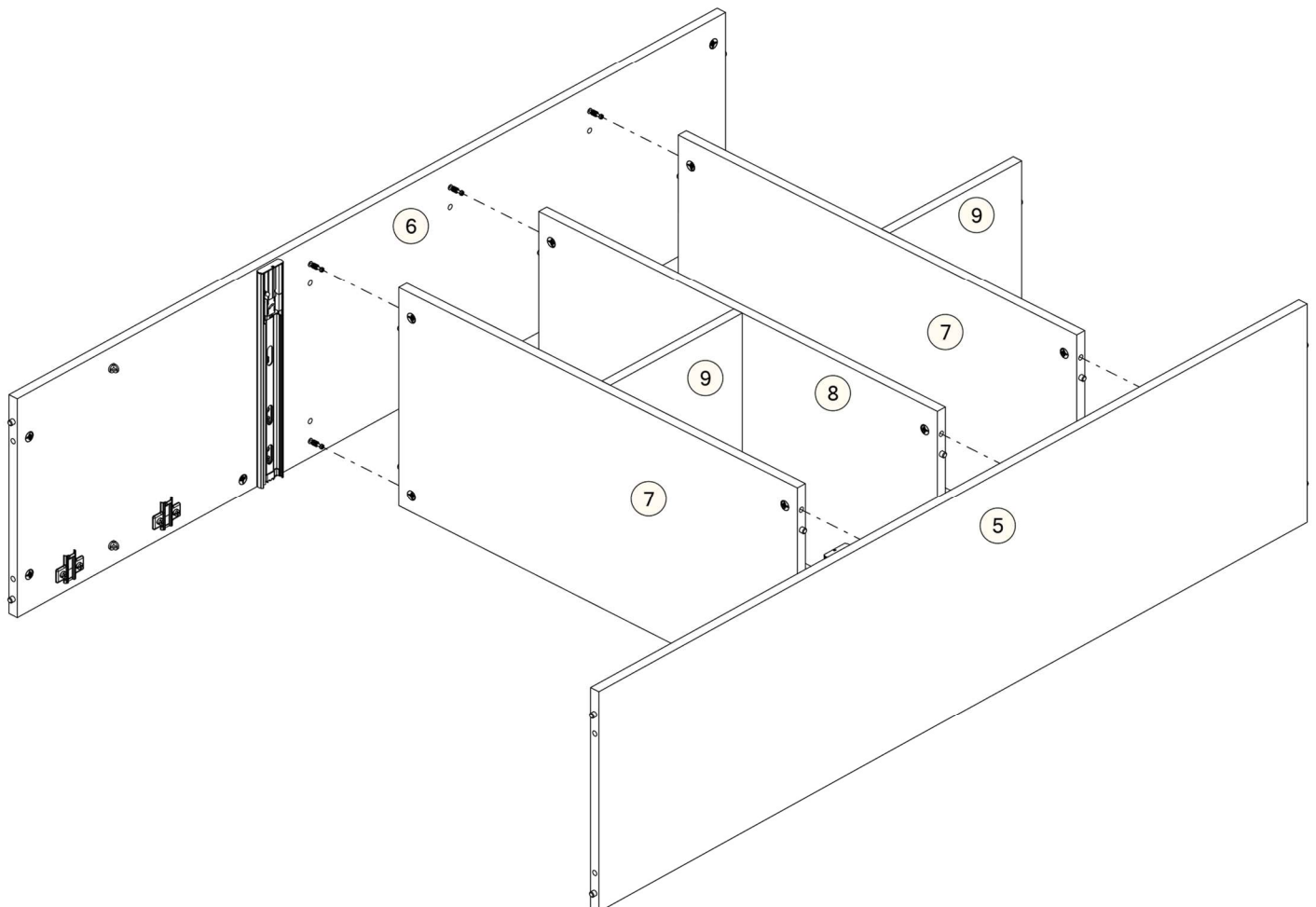
12



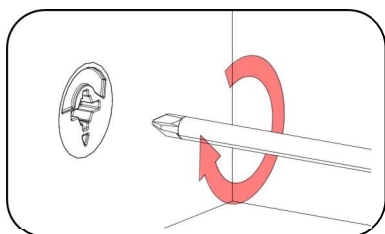
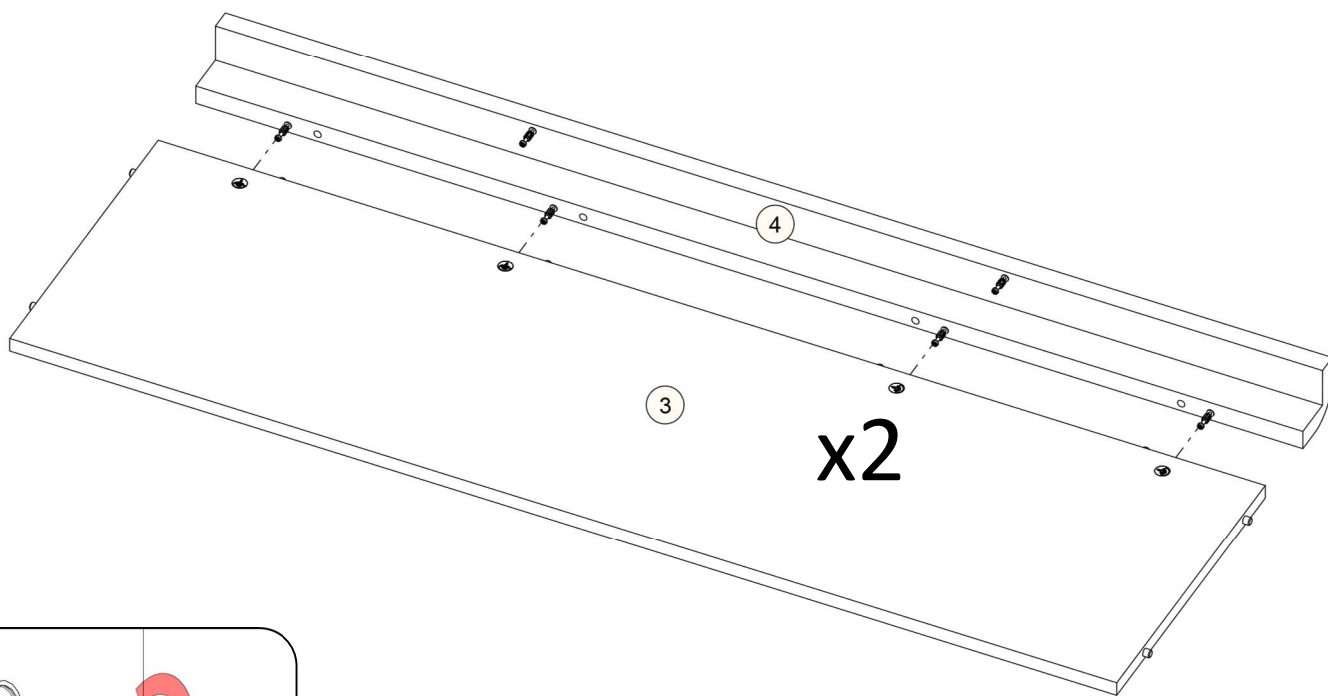
13



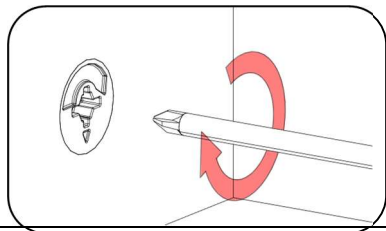
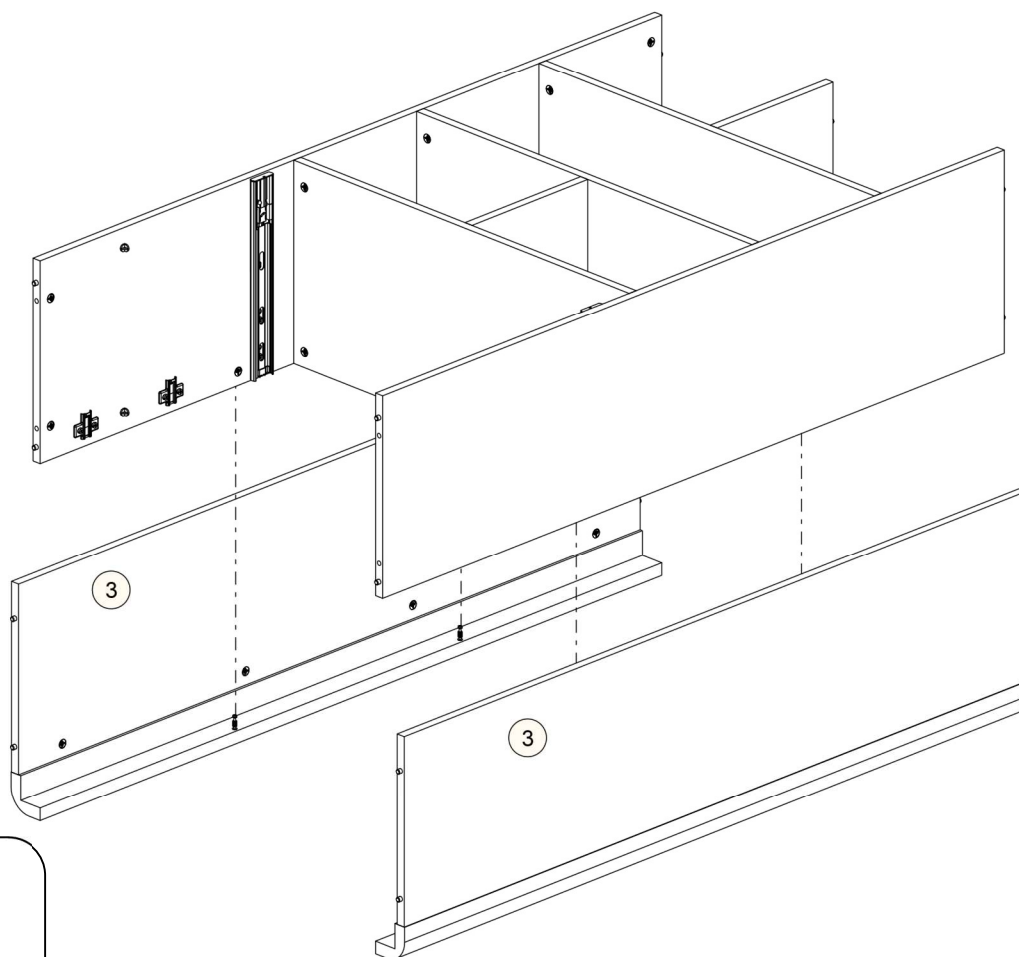
14



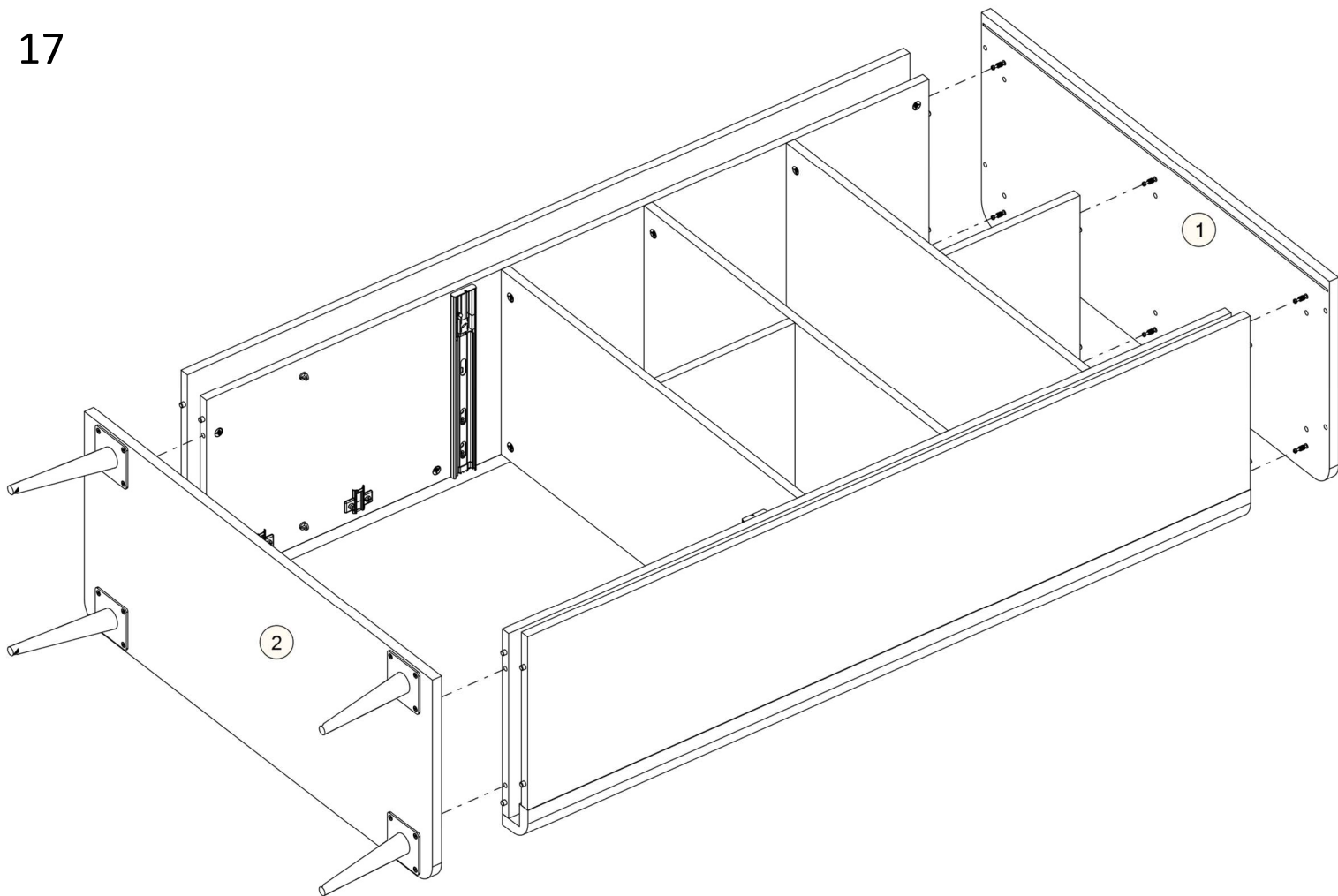
15



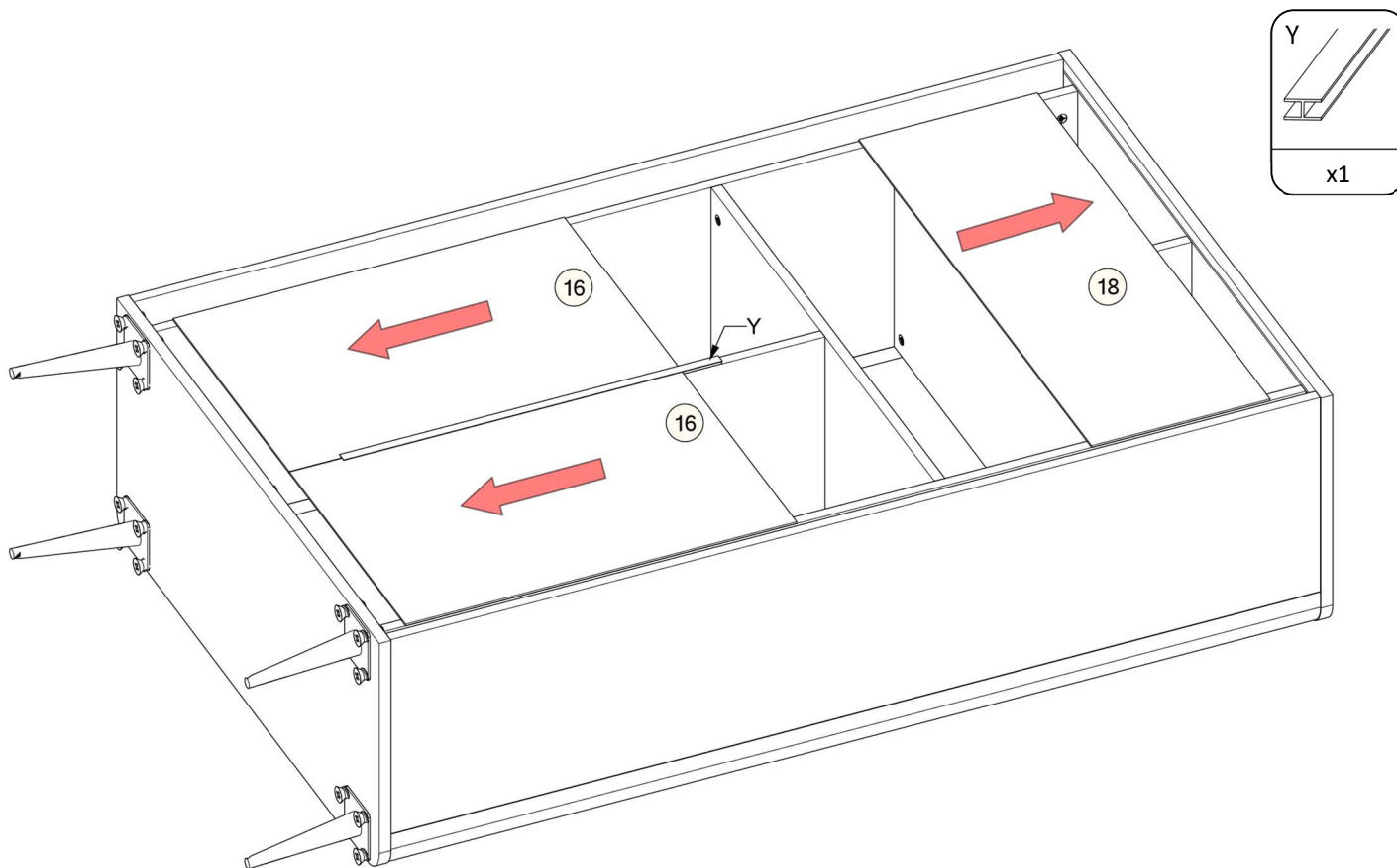
16



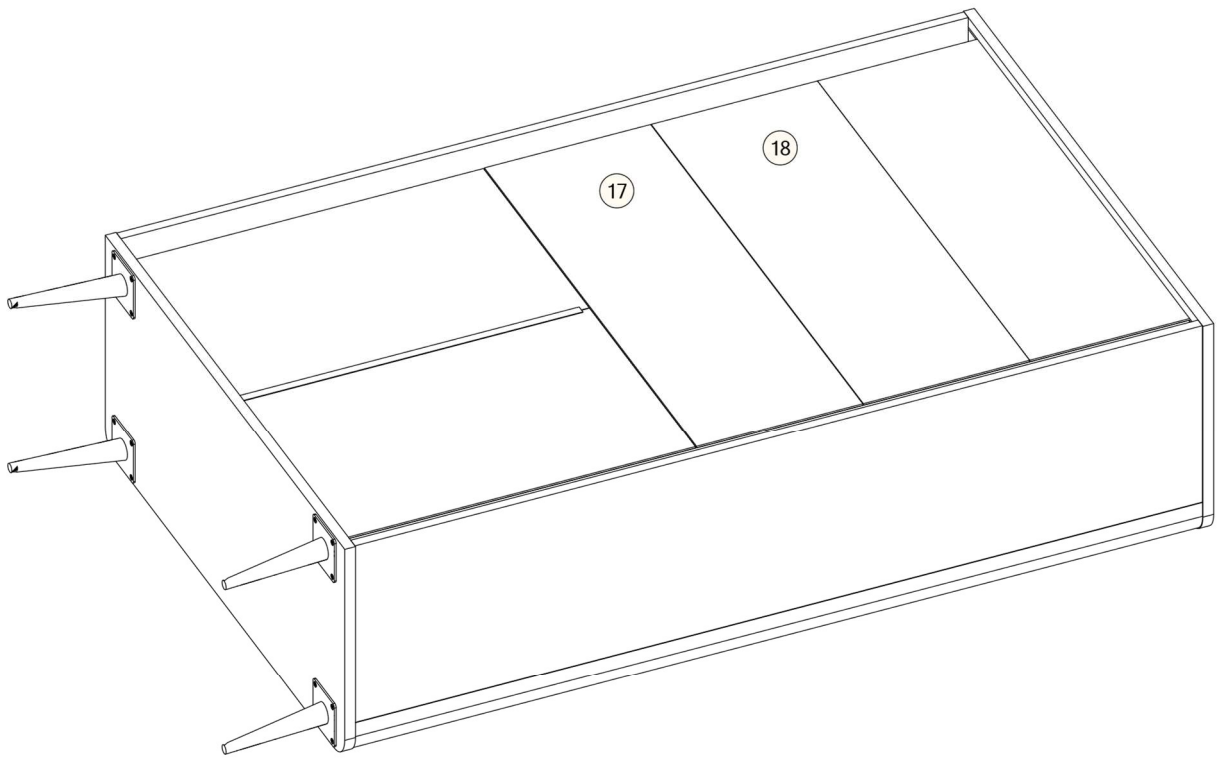
17



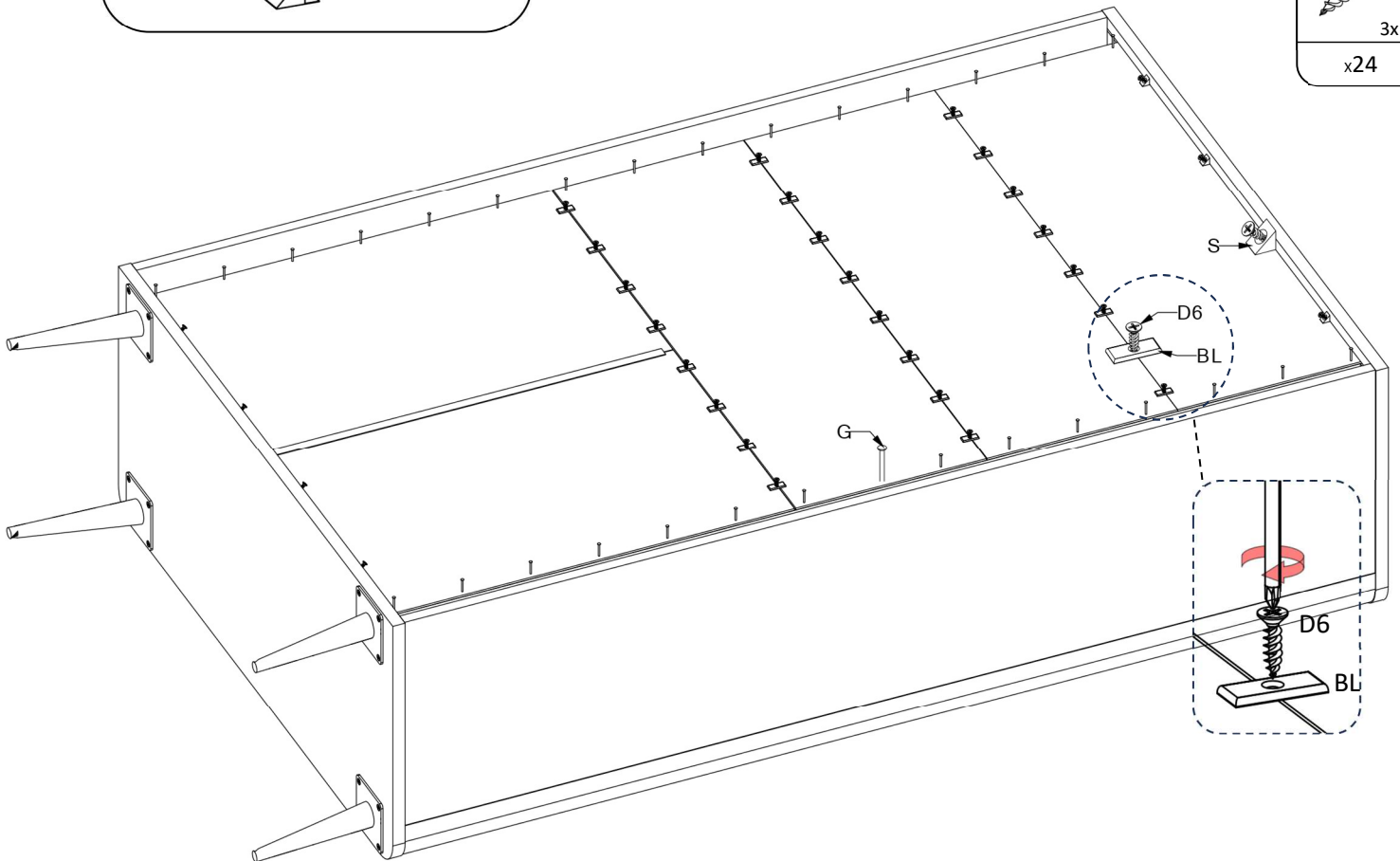
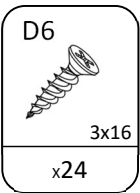
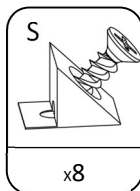
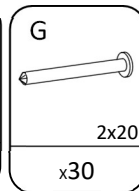
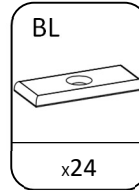
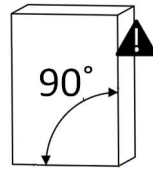
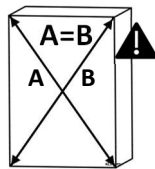
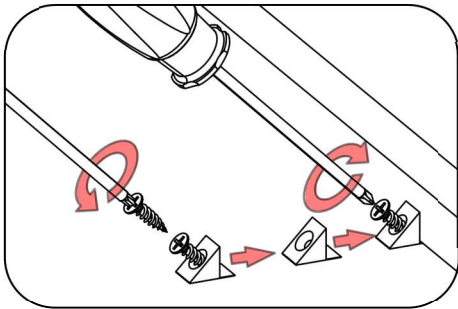
18



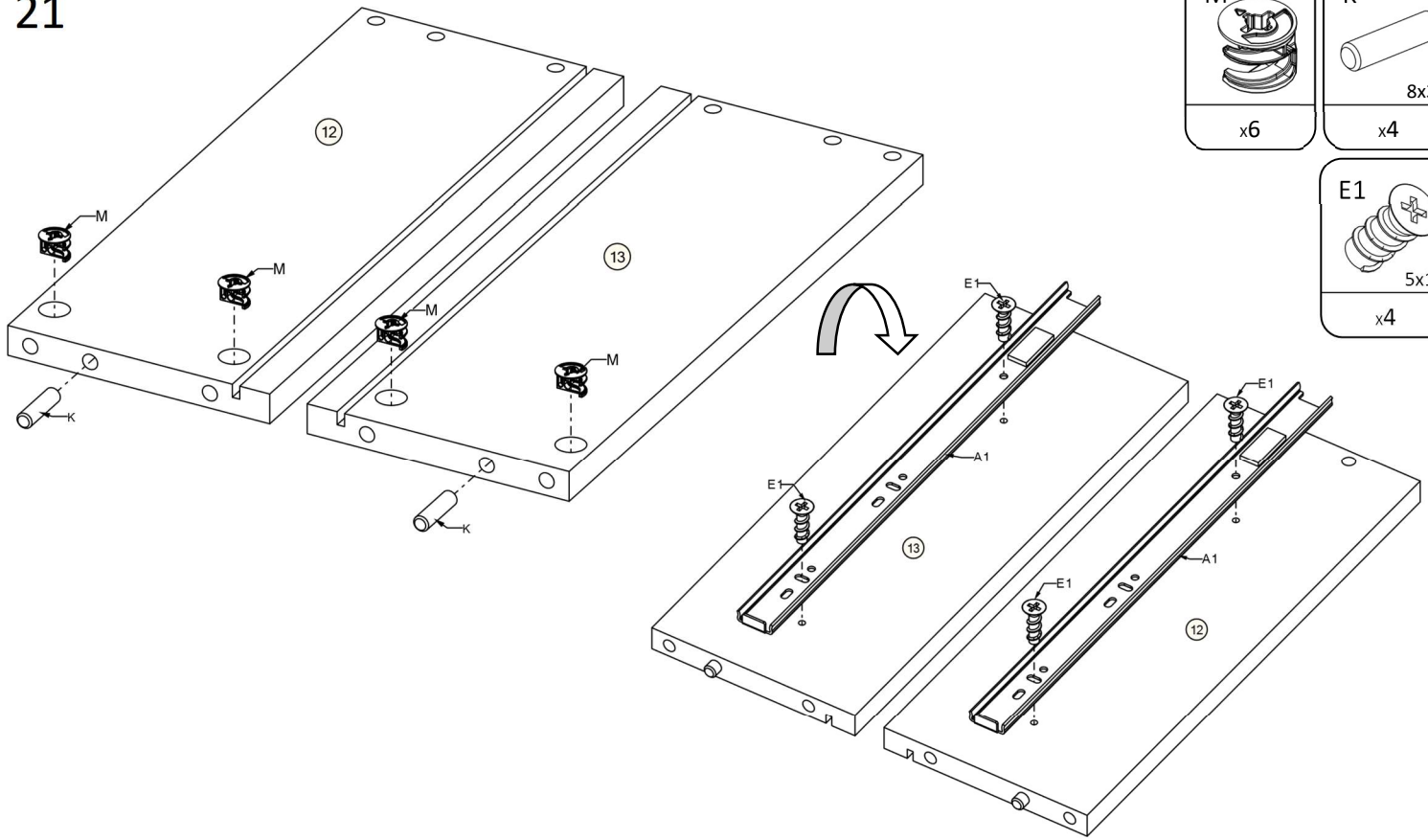
19



20



21

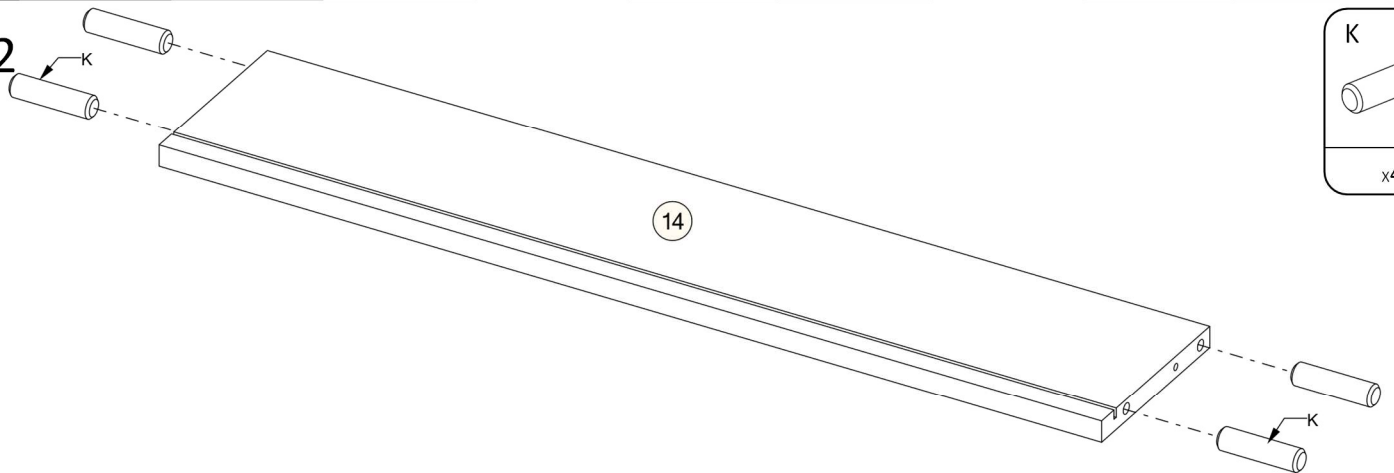


M
x6

K
8x30
x4

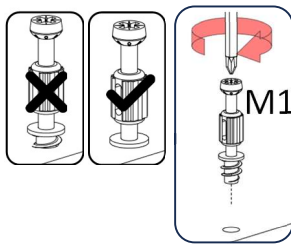
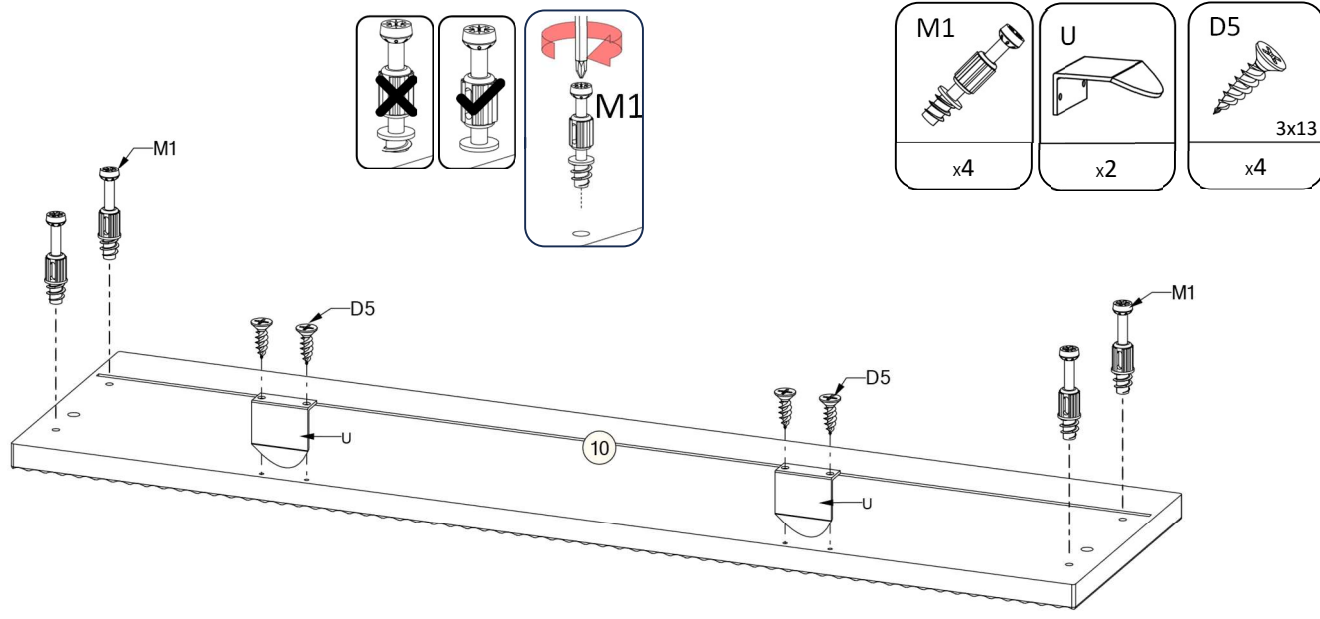
E1
5x13
x4

22



K
8x30
x4

23

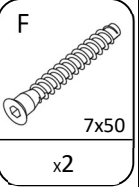
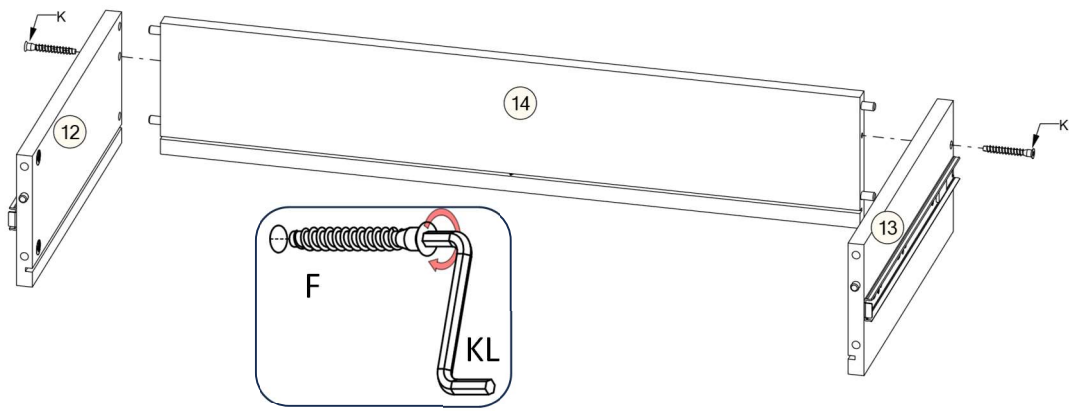


M1
x4

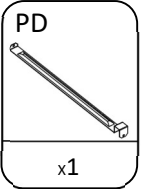
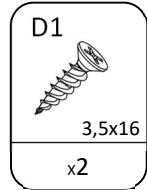
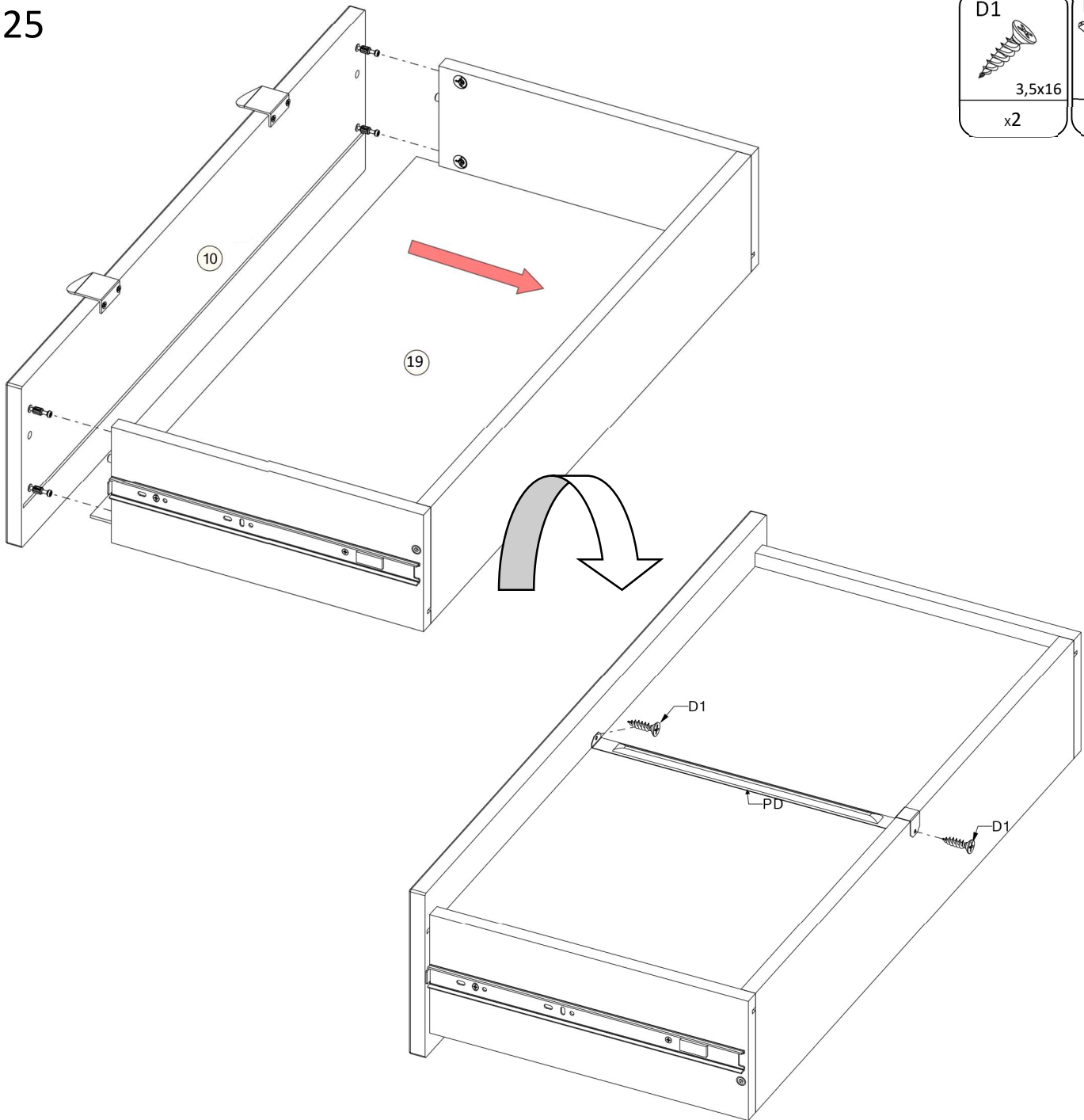
U
x2

D5
3x13
x4

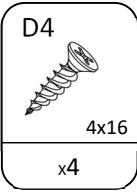
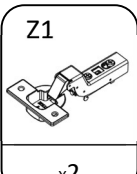
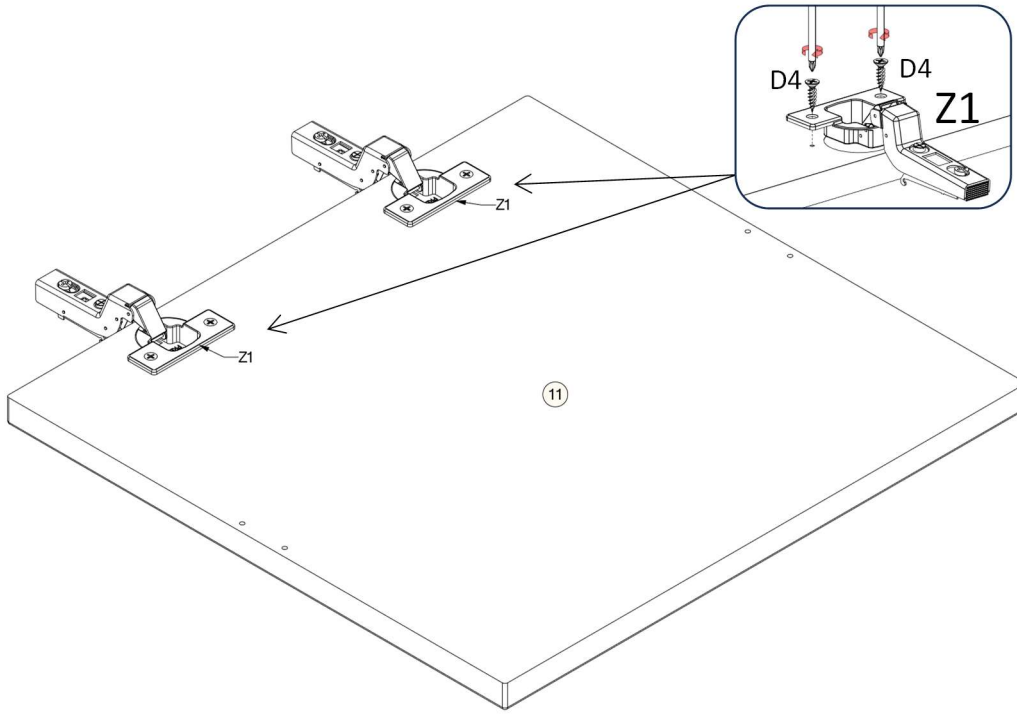
24



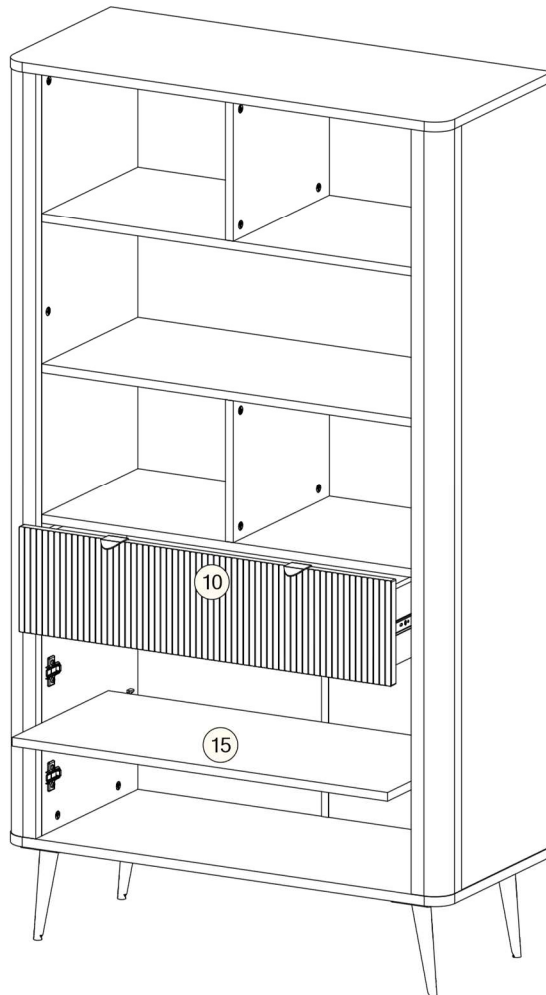
25



26



27



23

