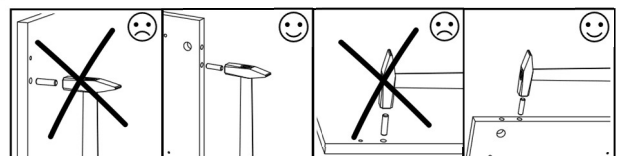
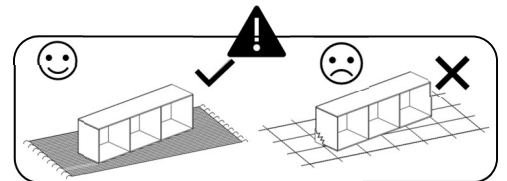
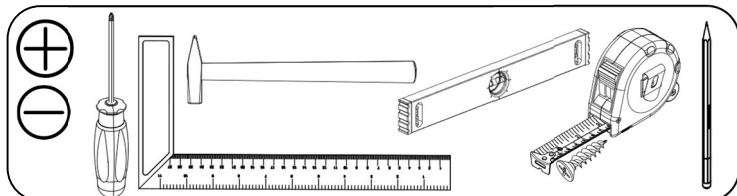
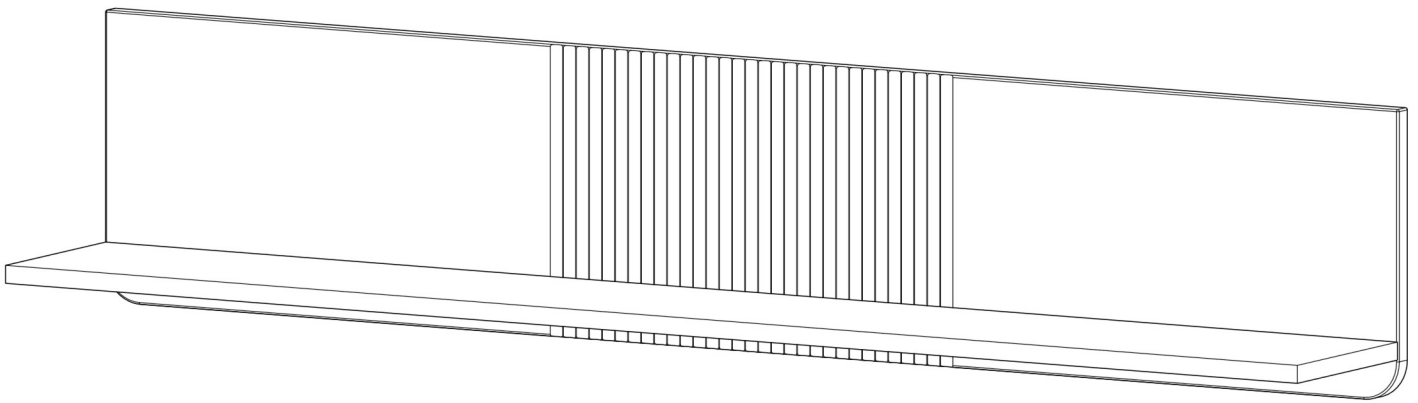
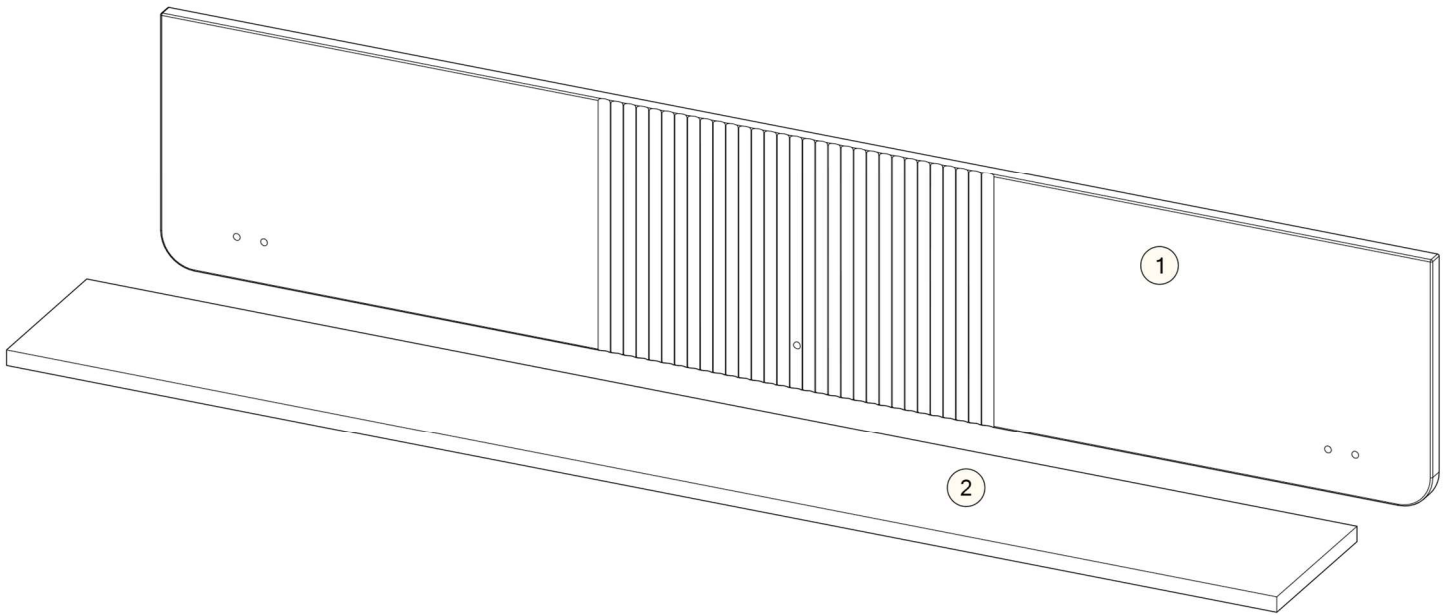


# MARLY

## R-18

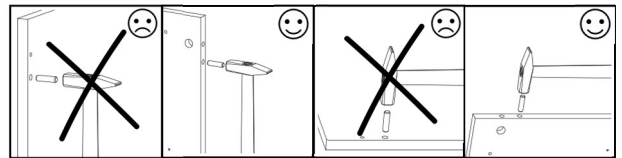
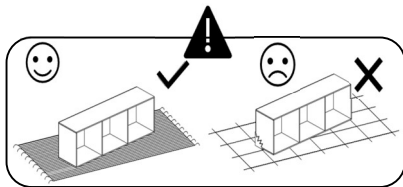
## R-19





R-18				
No	T(mm)	L(mm)	W(mm)	pcs.
1	18	1492	294	1
2	18	1490	200	1

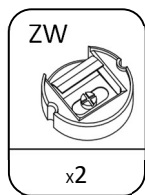
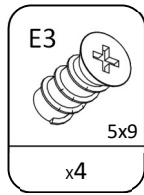
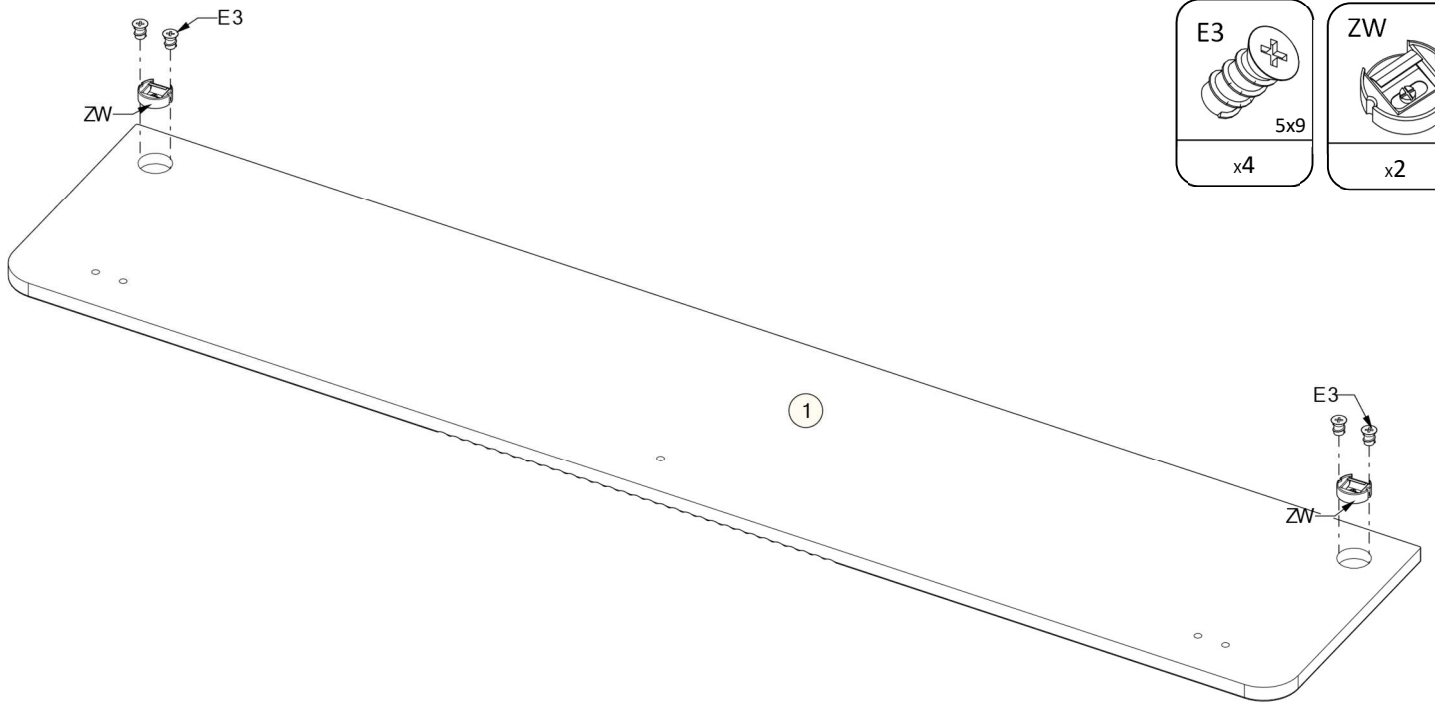
R-19				
No	T(mm)	L(mm)	W(mm)	pcs.
1	18	1196	294	1
2	18	1194	200	1



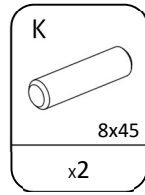
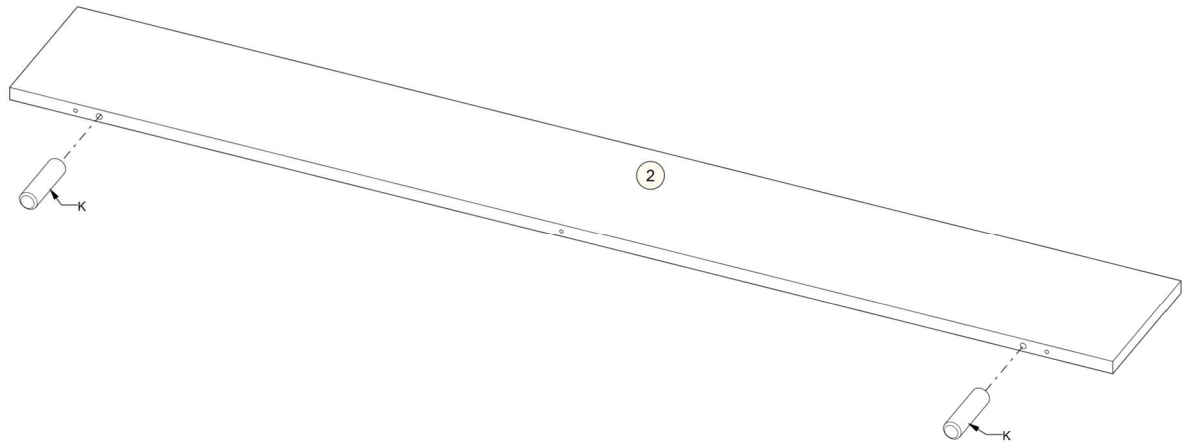
<b>K</b>  8x45 x2	<b>E3</b>  5x9 x4	<b>ZW</b>  x2	<b>F</b>  7x50 x3	<b>KL</b>  x1
----------------------------	----------------------------	---------------------	----------------------------	---------------------



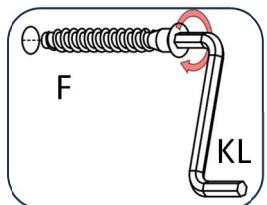
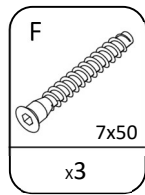
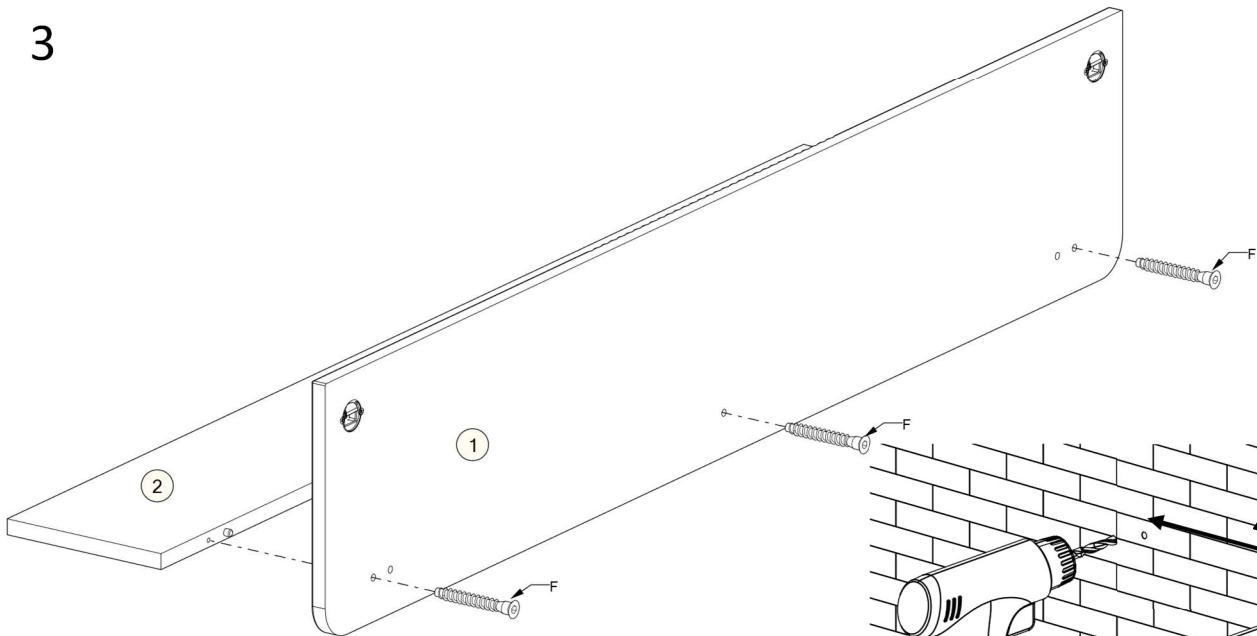
1



2



3



A	(mm)
R-18	1392
R-19	1096

