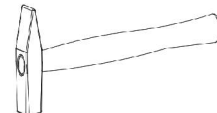
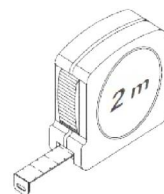
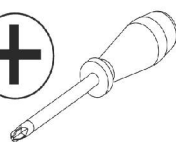
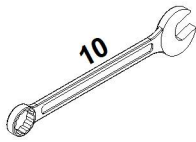
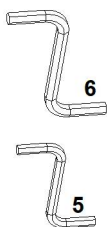
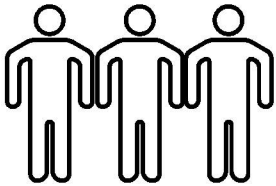
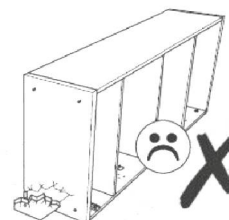
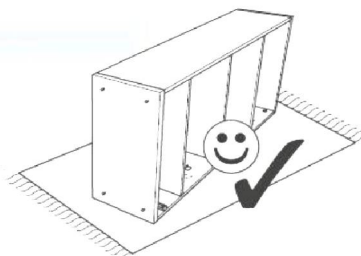
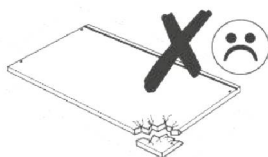
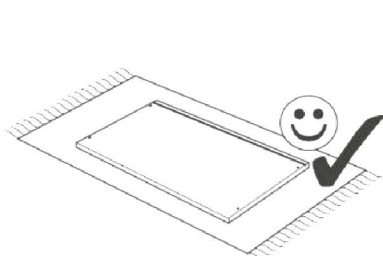
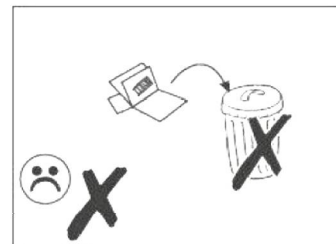
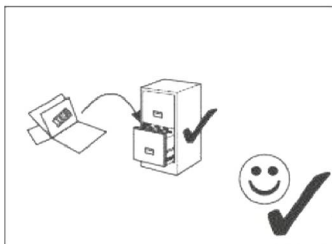
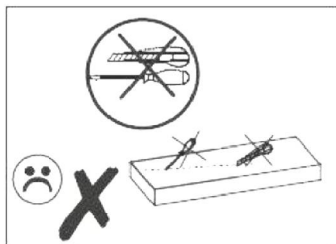
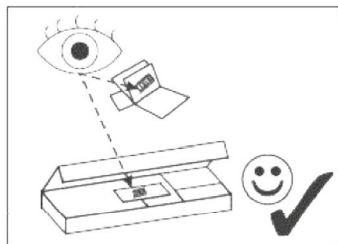
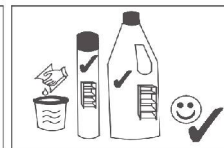
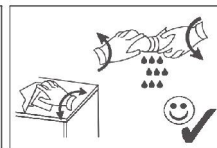
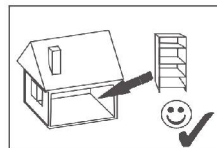
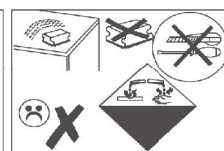
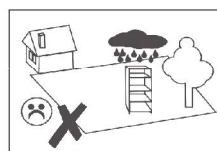
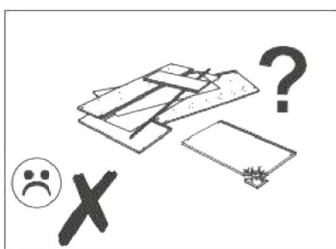
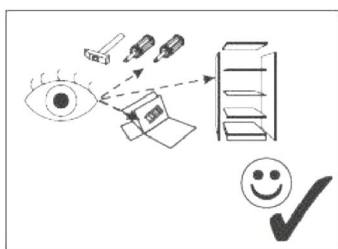
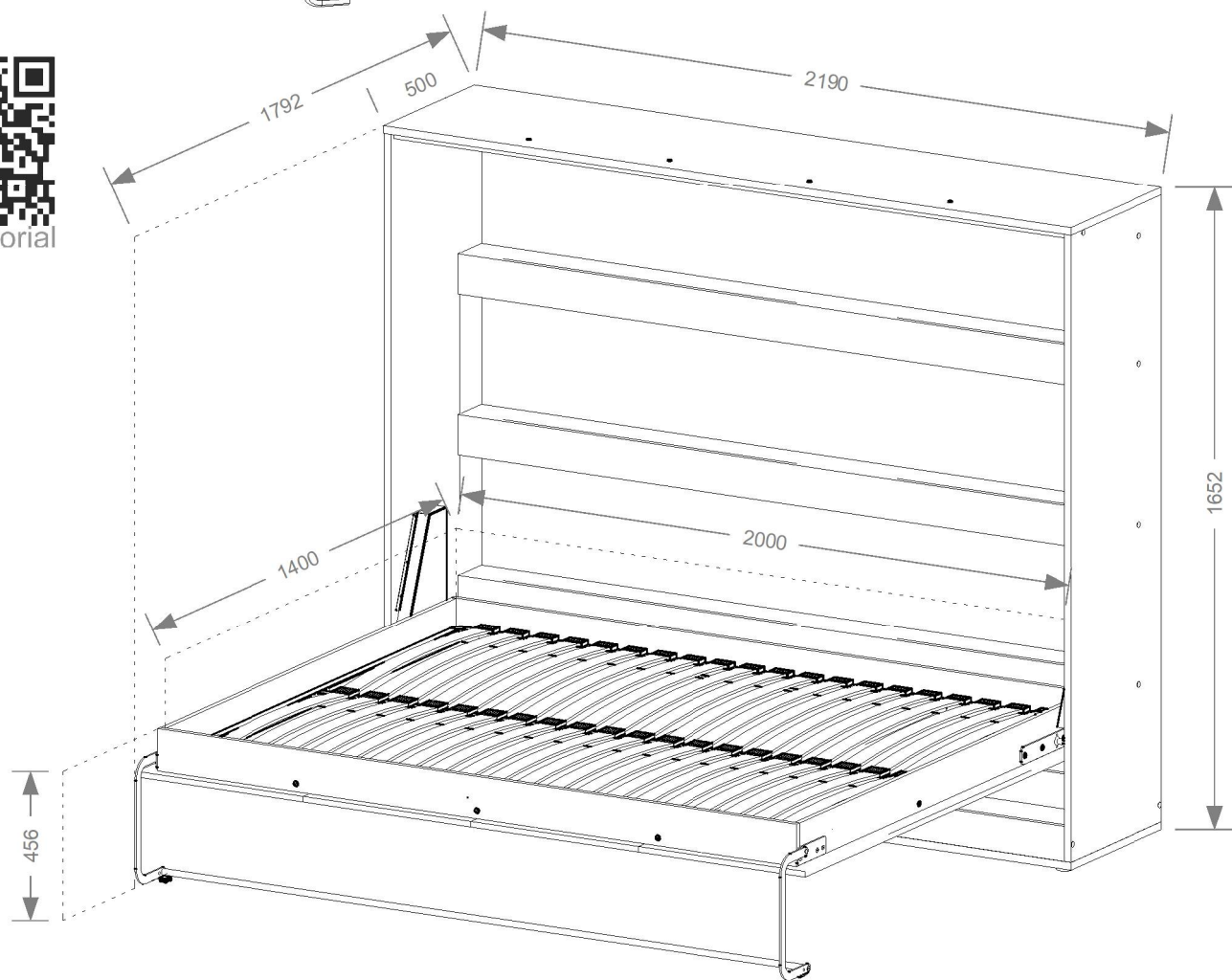


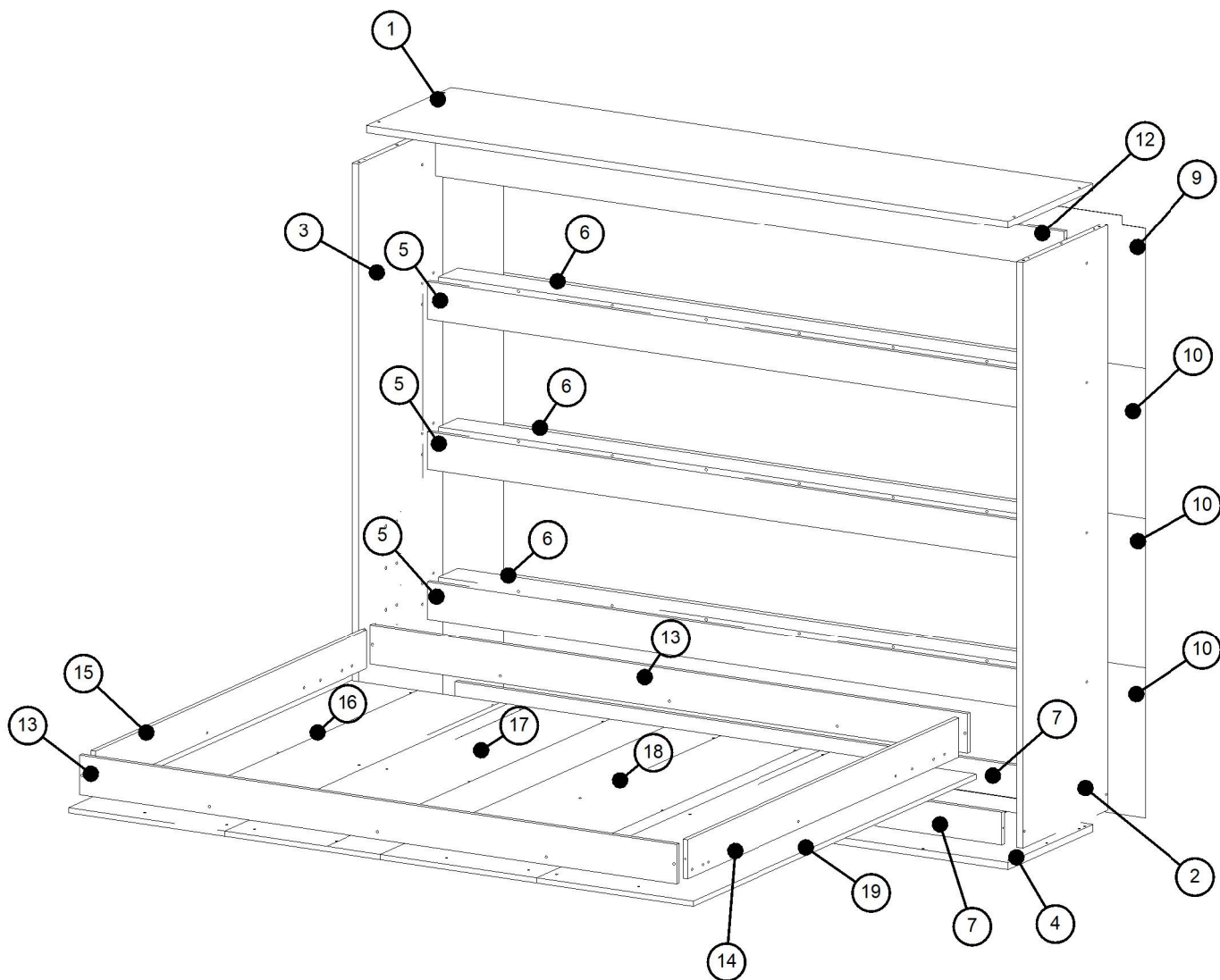


240 min

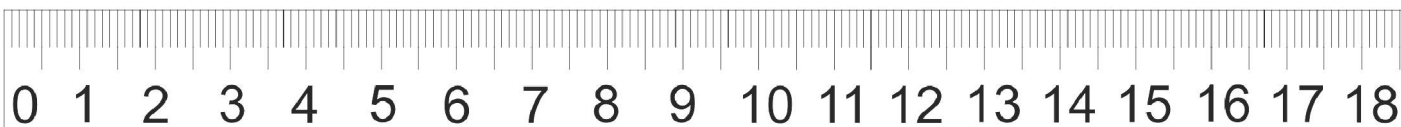
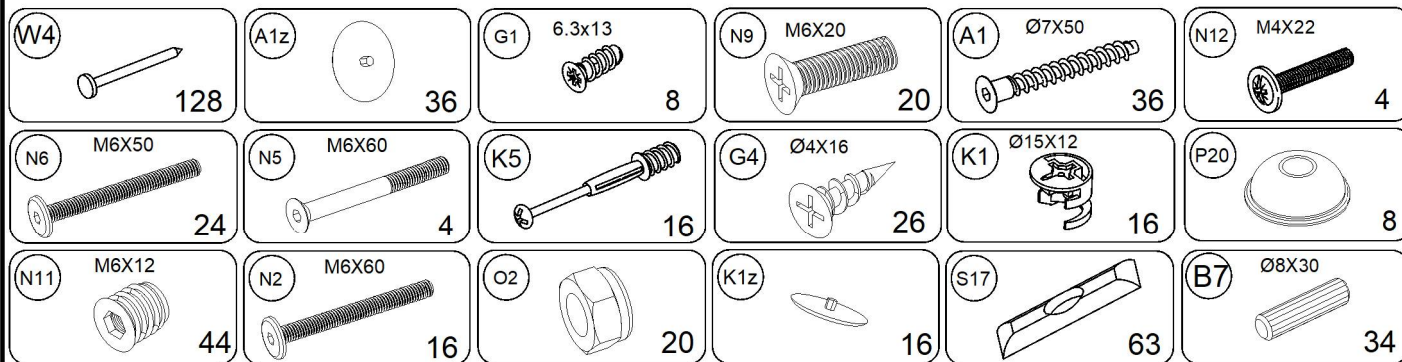


video tutorial

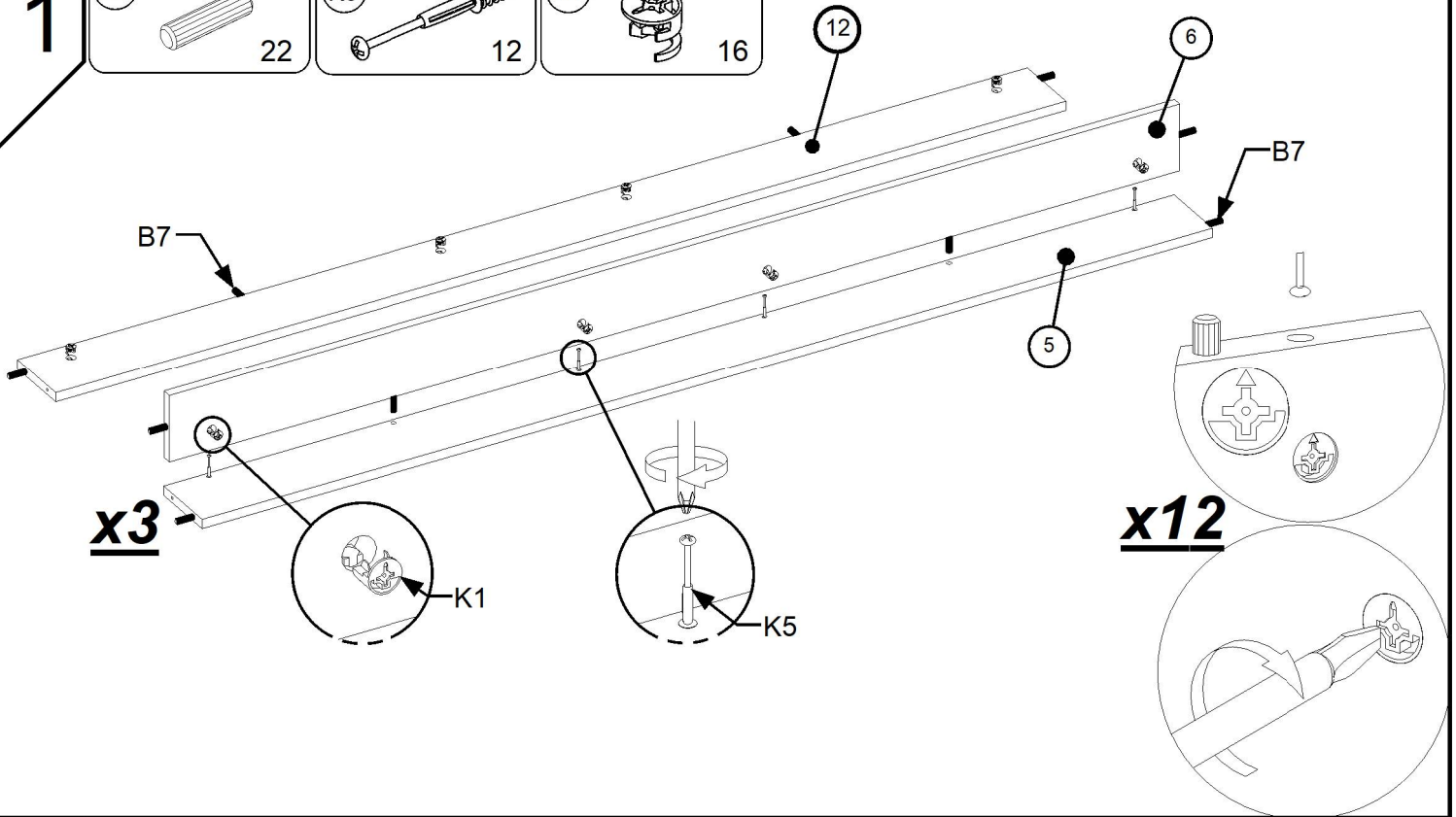
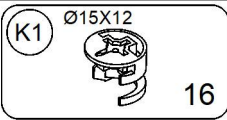
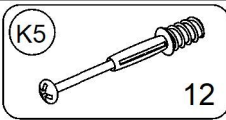
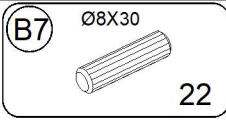




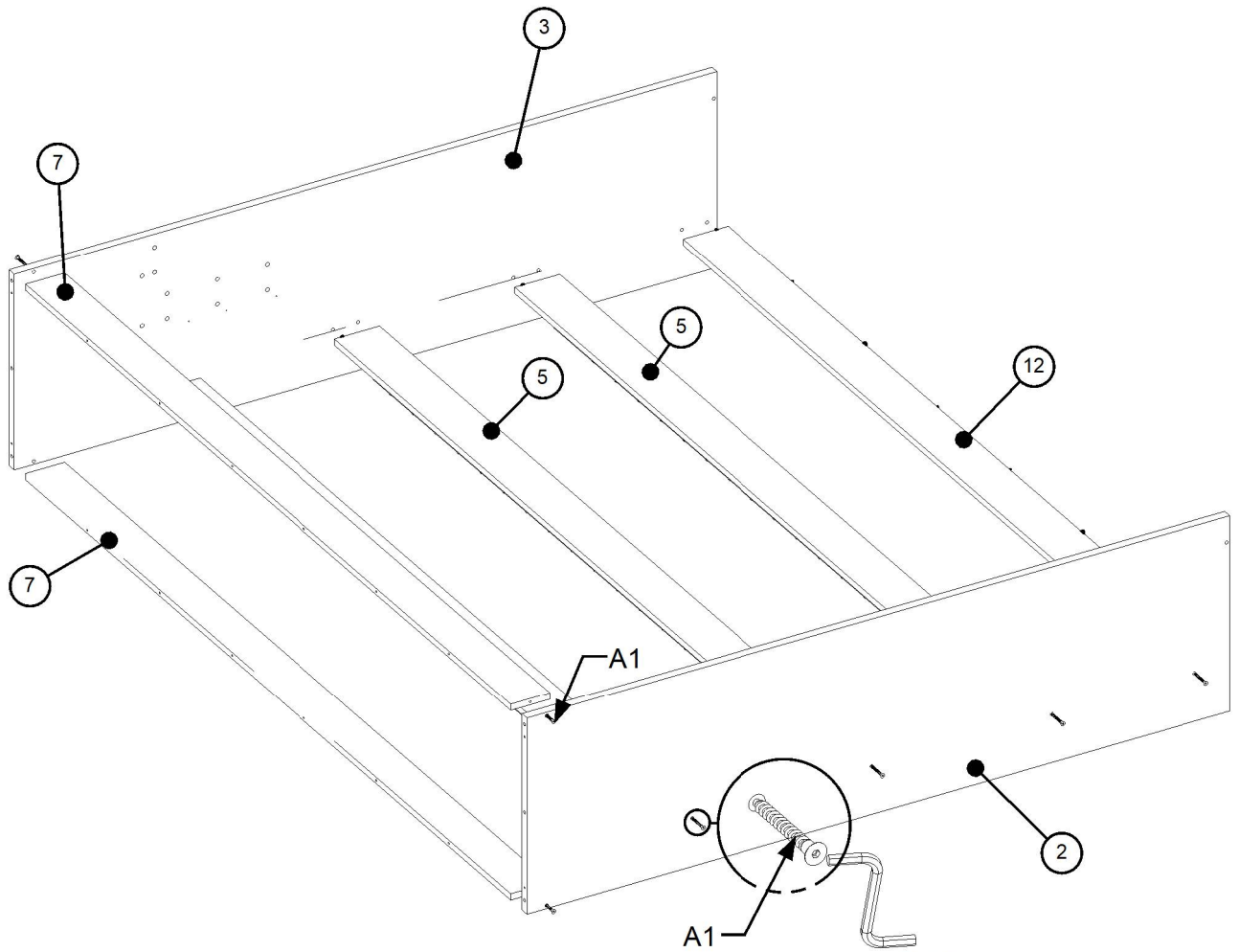
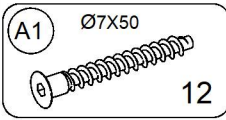
1/6	1, 5, 6, 8, 9, 10, assembly instructions
2/6	4, 7, 12, 13
3/6	2, 3, 14, 15
4/6	16, 17, 18, 19
5/6	Steel frame, mechanism, fittings
6/6	Handle, LED lights



1



2

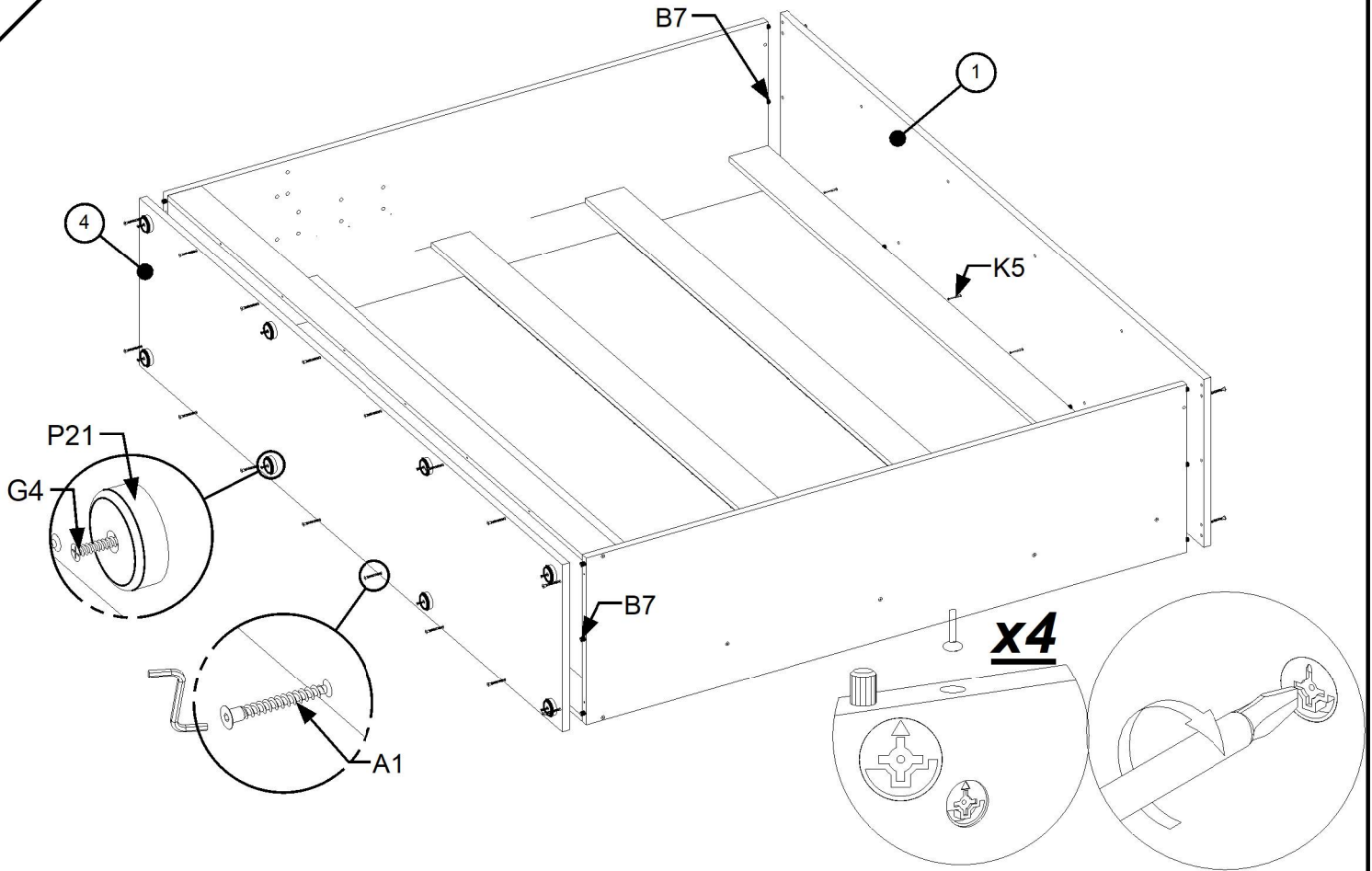


x12

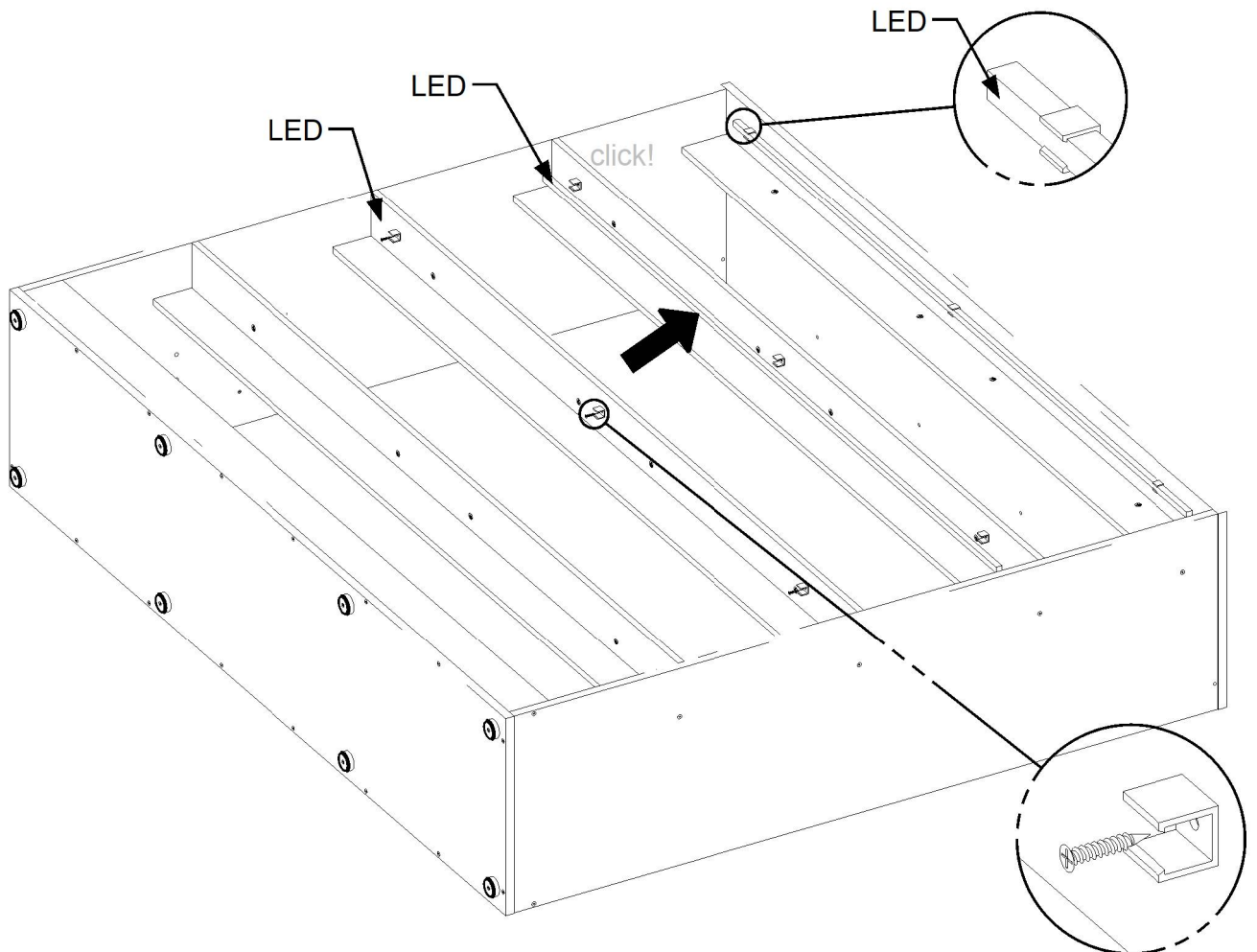
3

3

- B7** Ø8X30 12
- P20** 8
- G4** Ø4X16 8
- K5** 4
- A1** Ø7X50 20

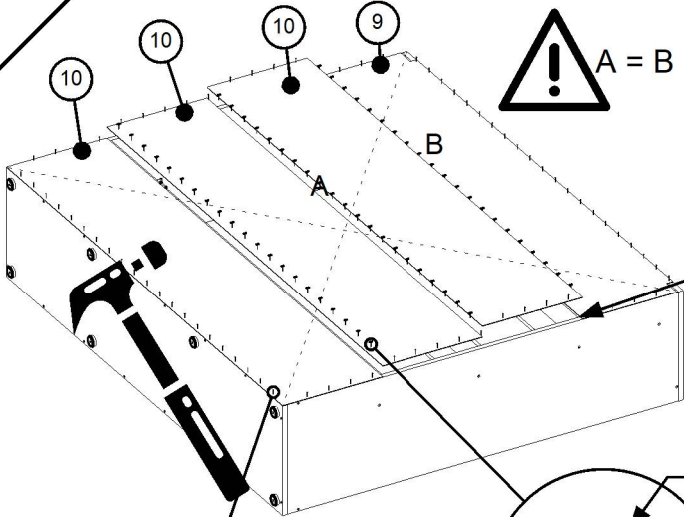
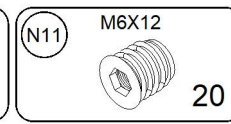
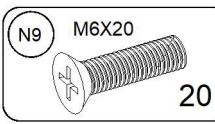
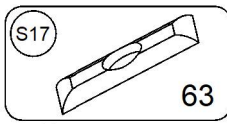
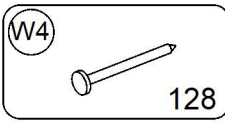


4

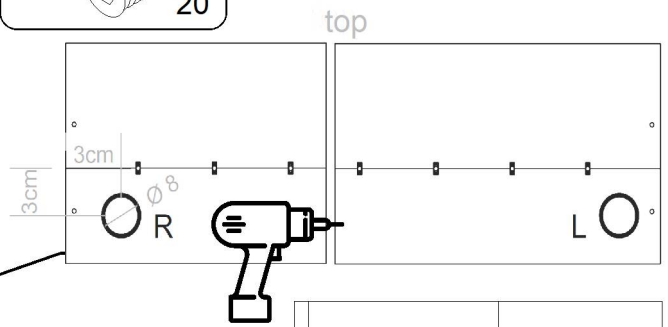


4

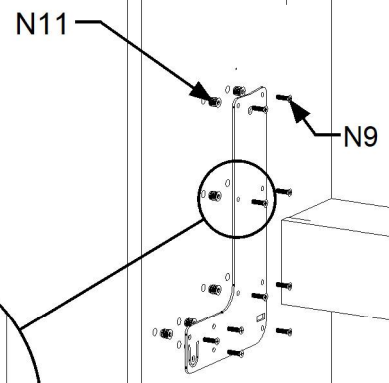
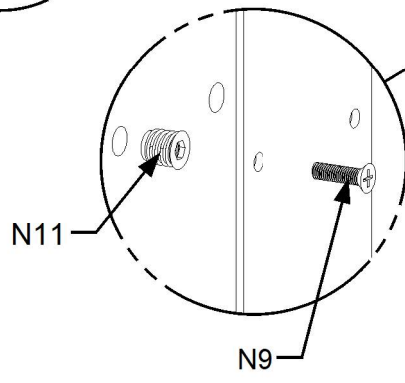
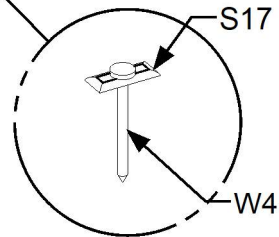
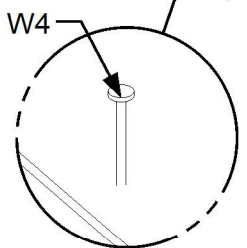
5



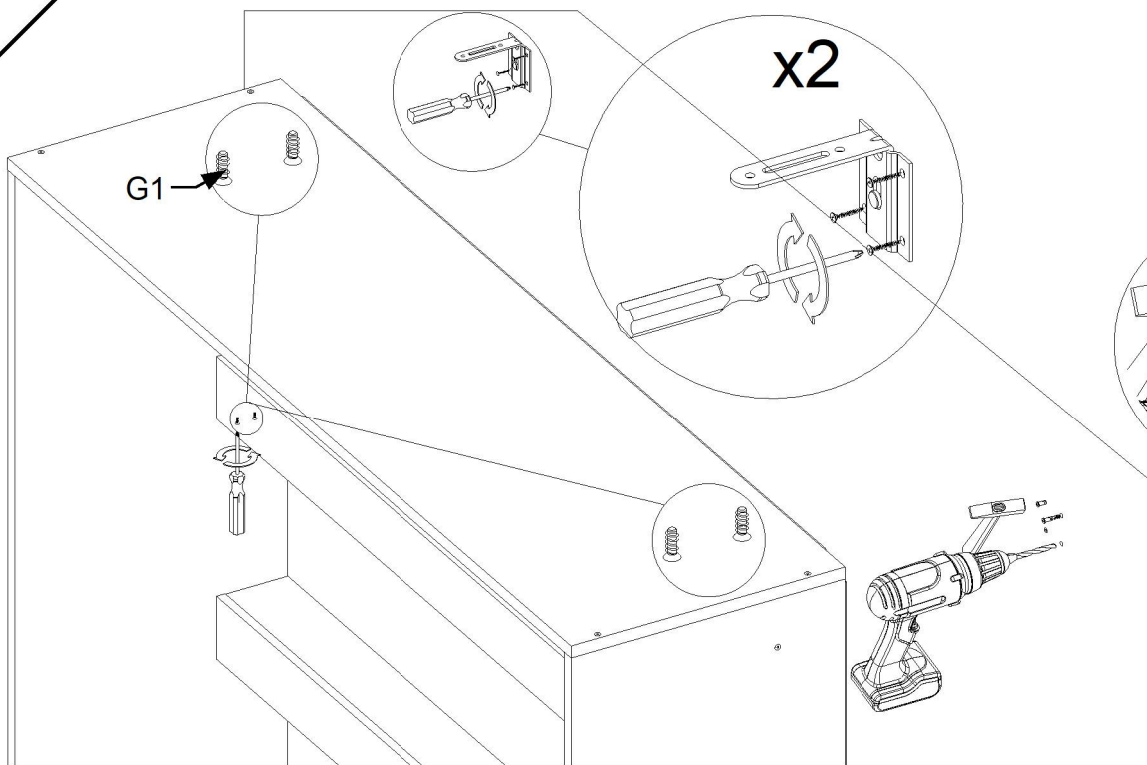
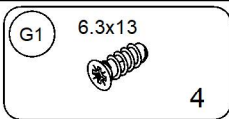
! A = B



top



6

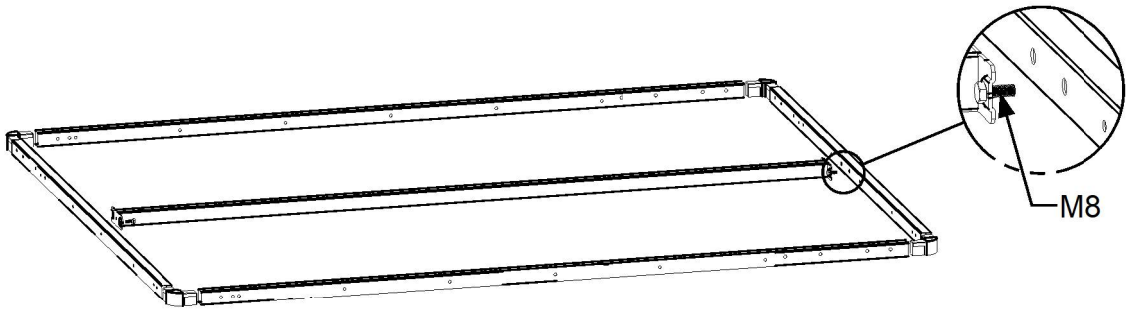


x2

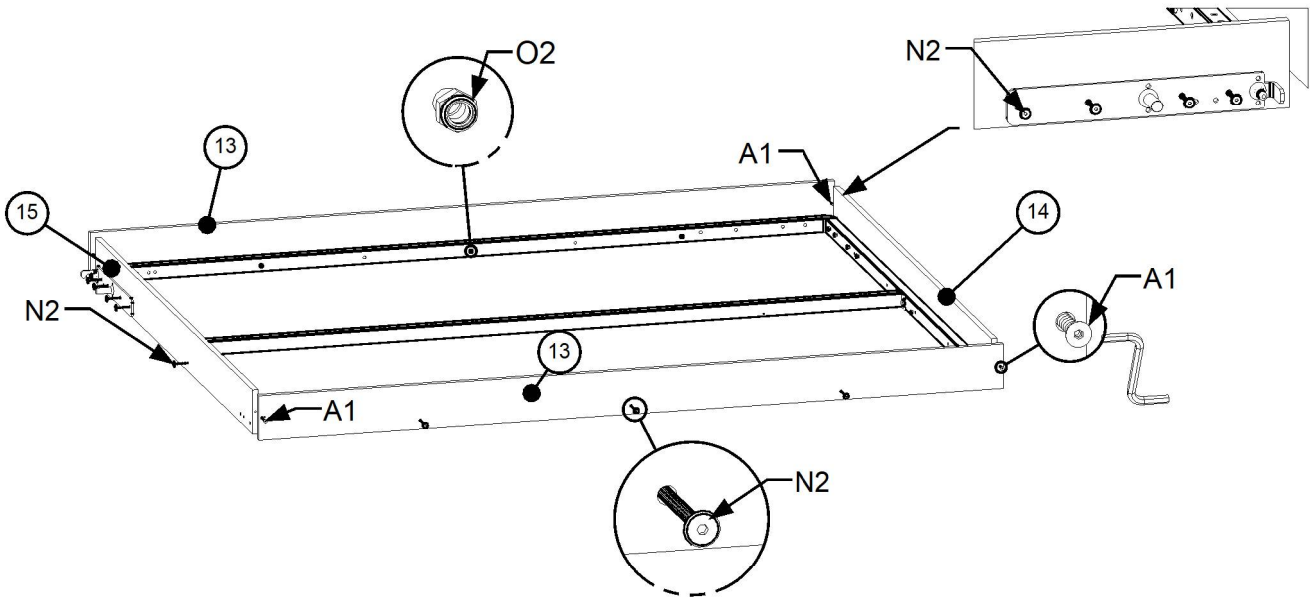
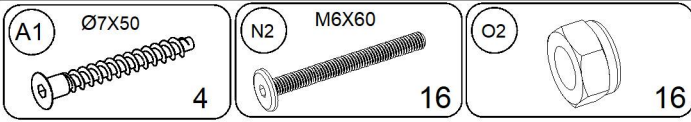
G1

5

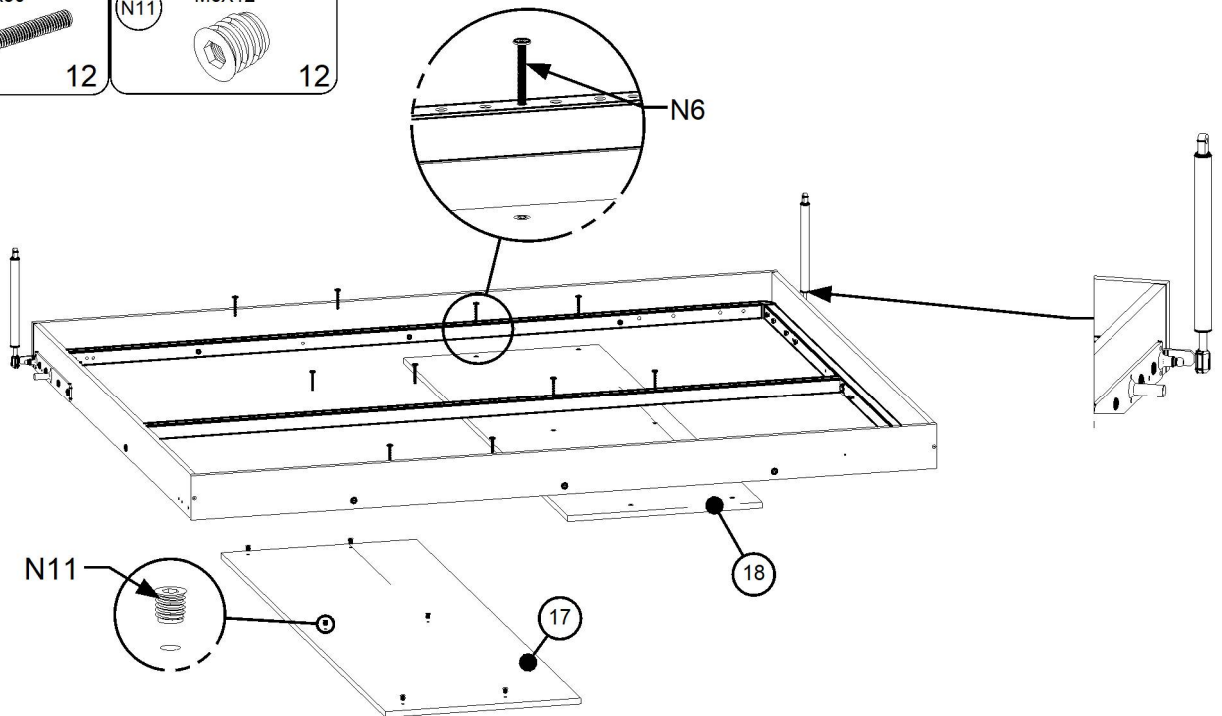
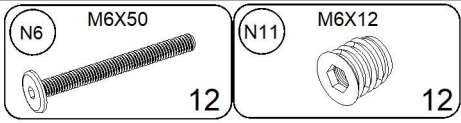
7



8

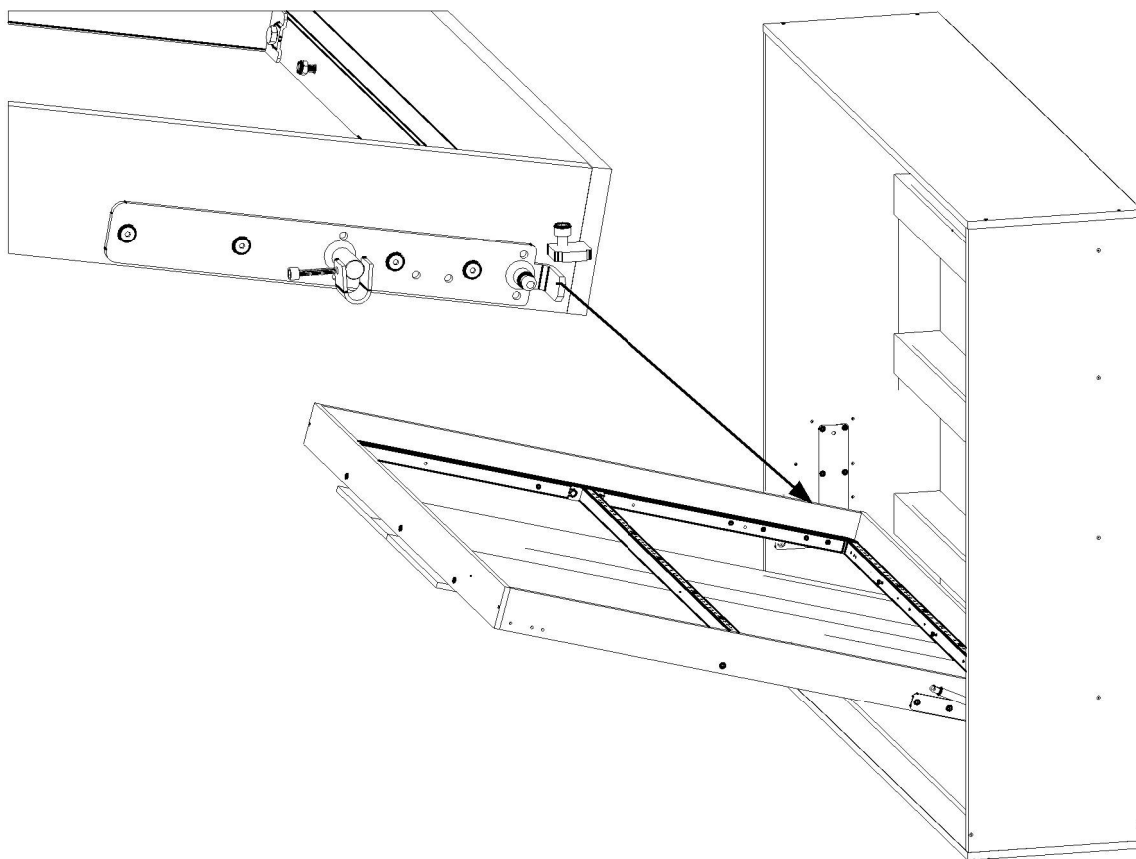


9

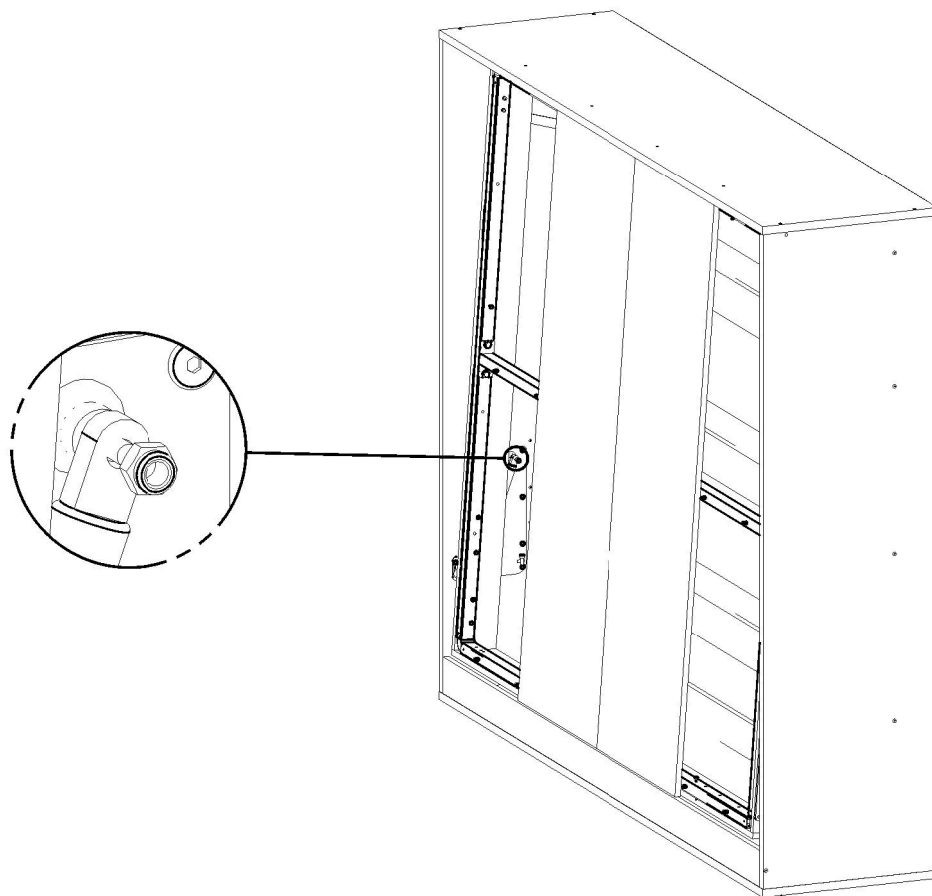


6

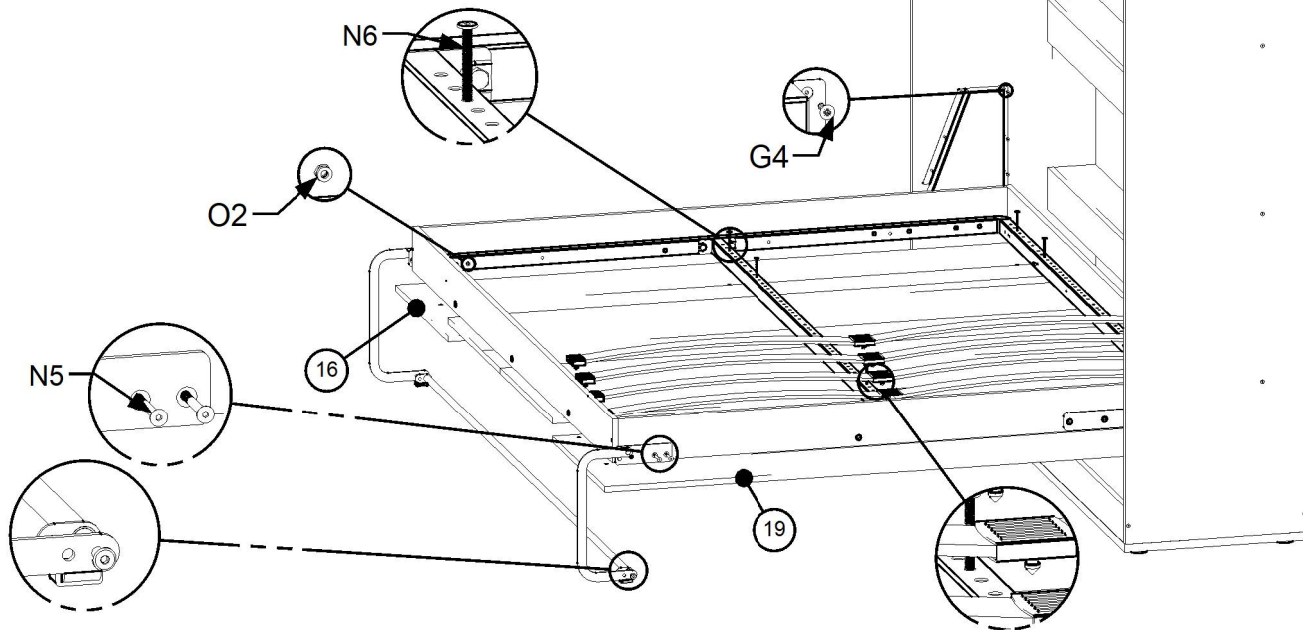
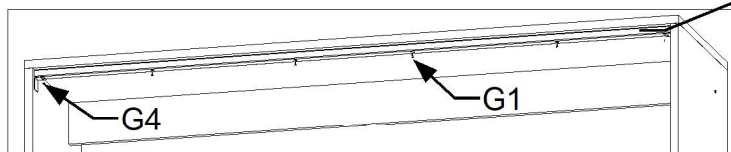
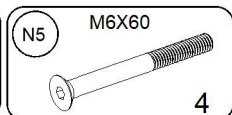
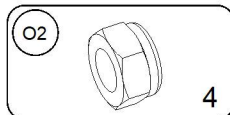
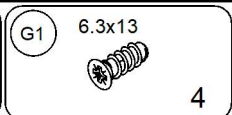
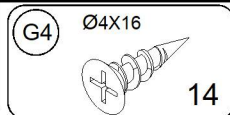
10



11



12



13

