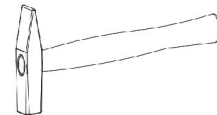
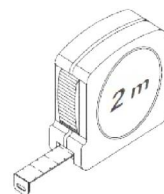
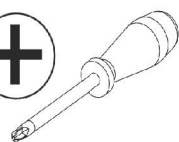
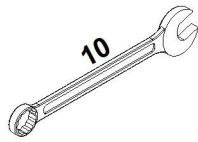
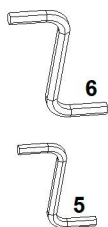
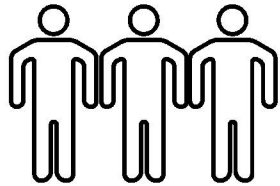
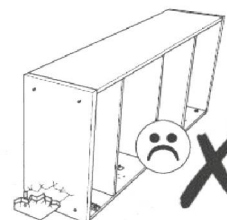
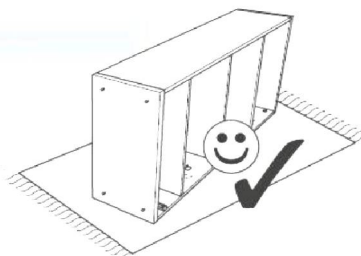
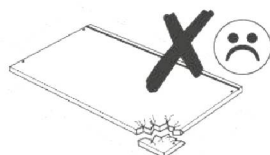
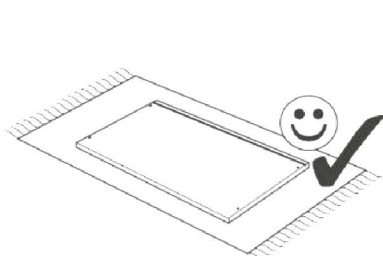
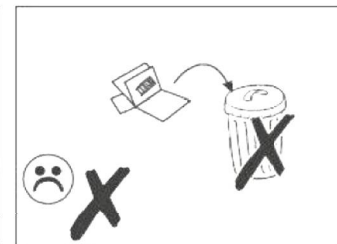
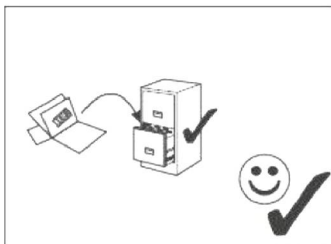
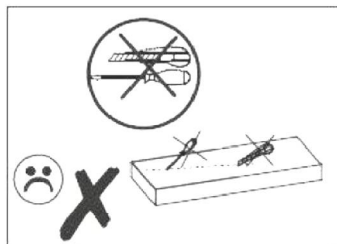
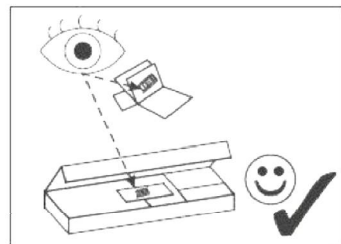
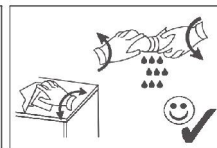
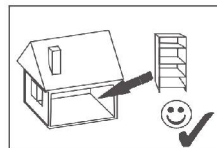
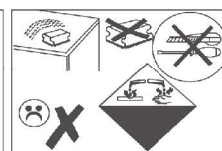
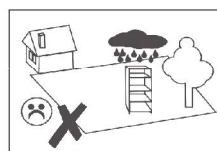
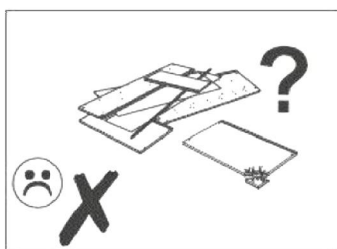
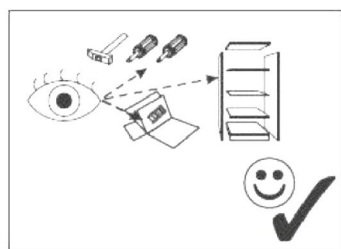
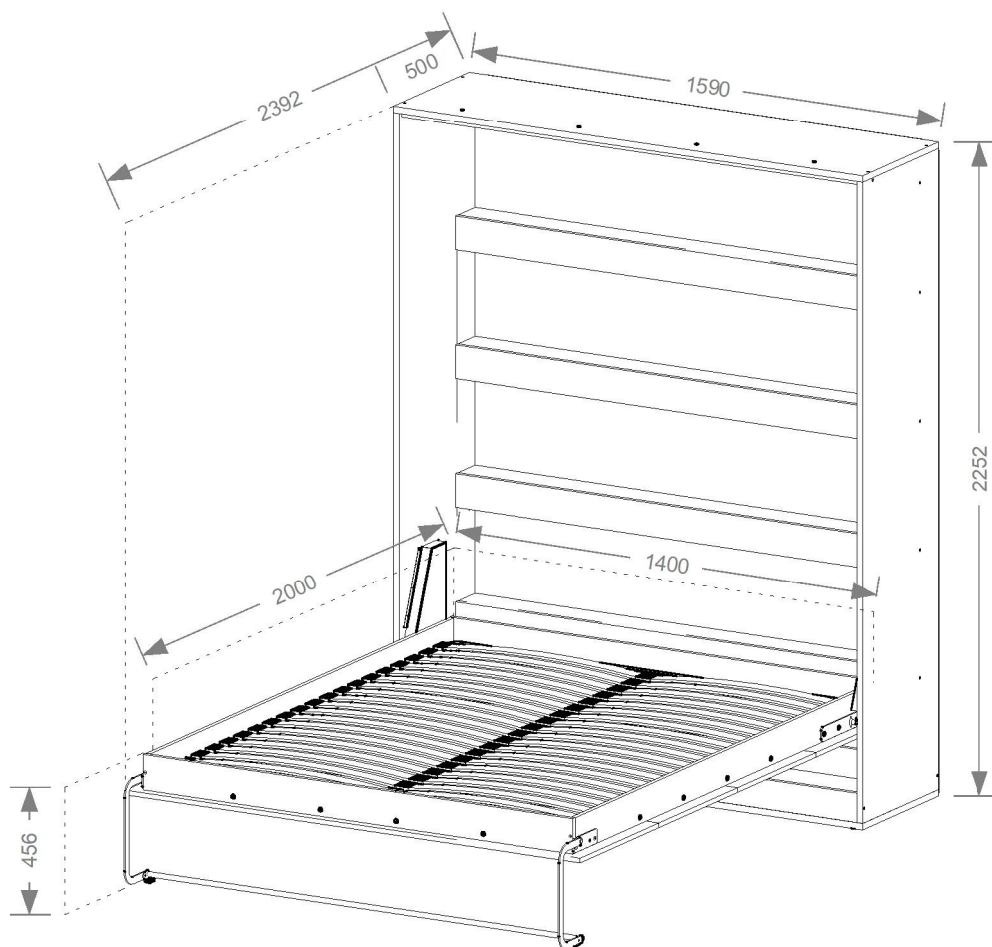
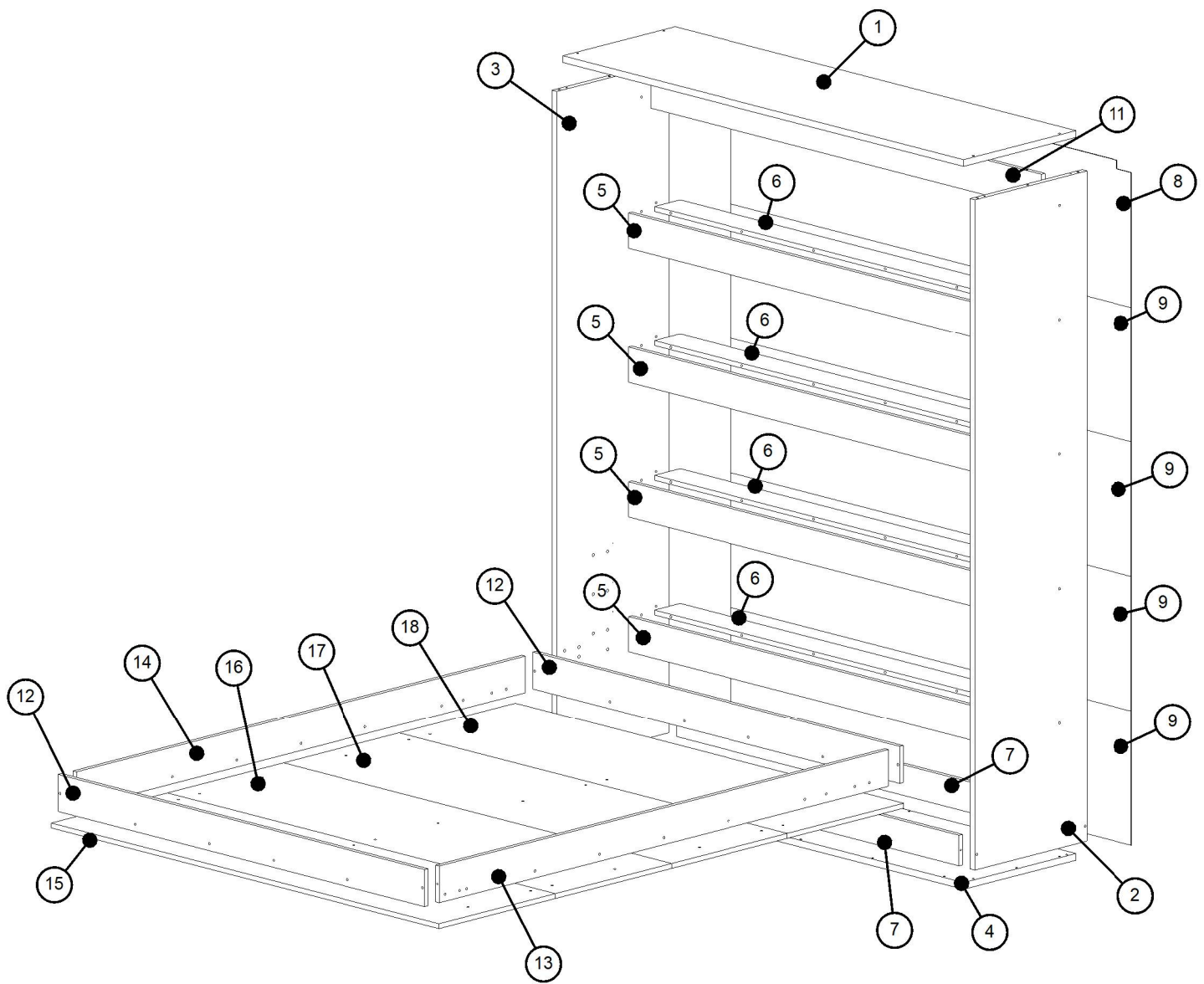


240 min

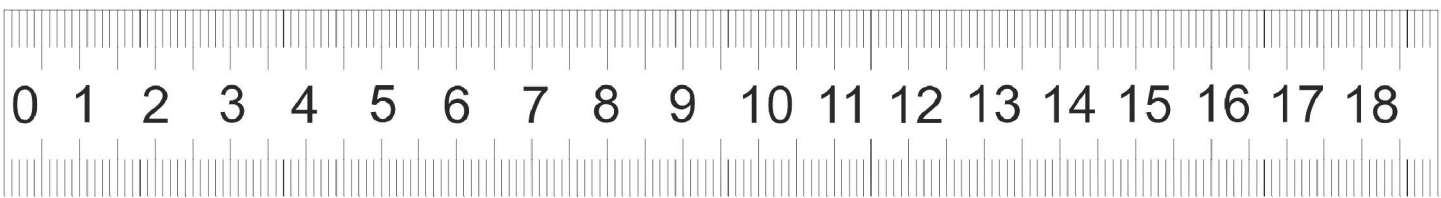
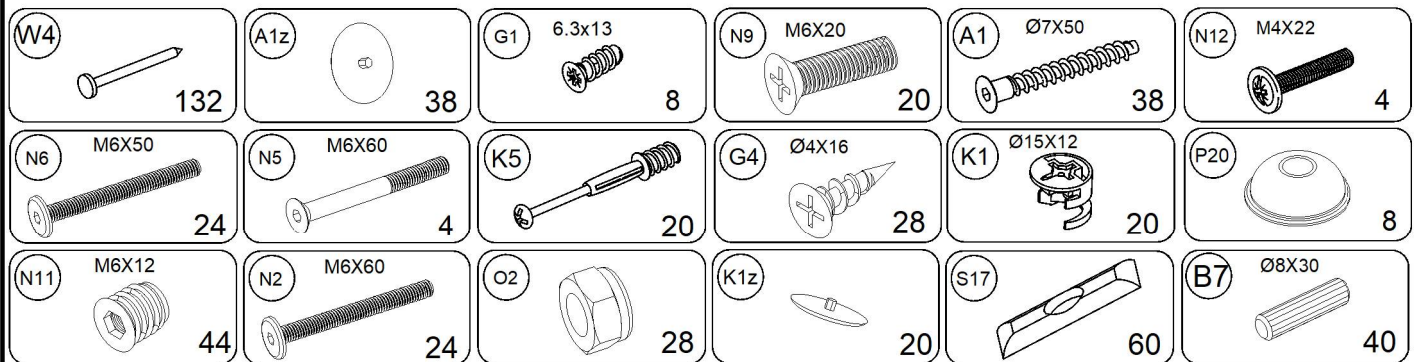


video tutorial





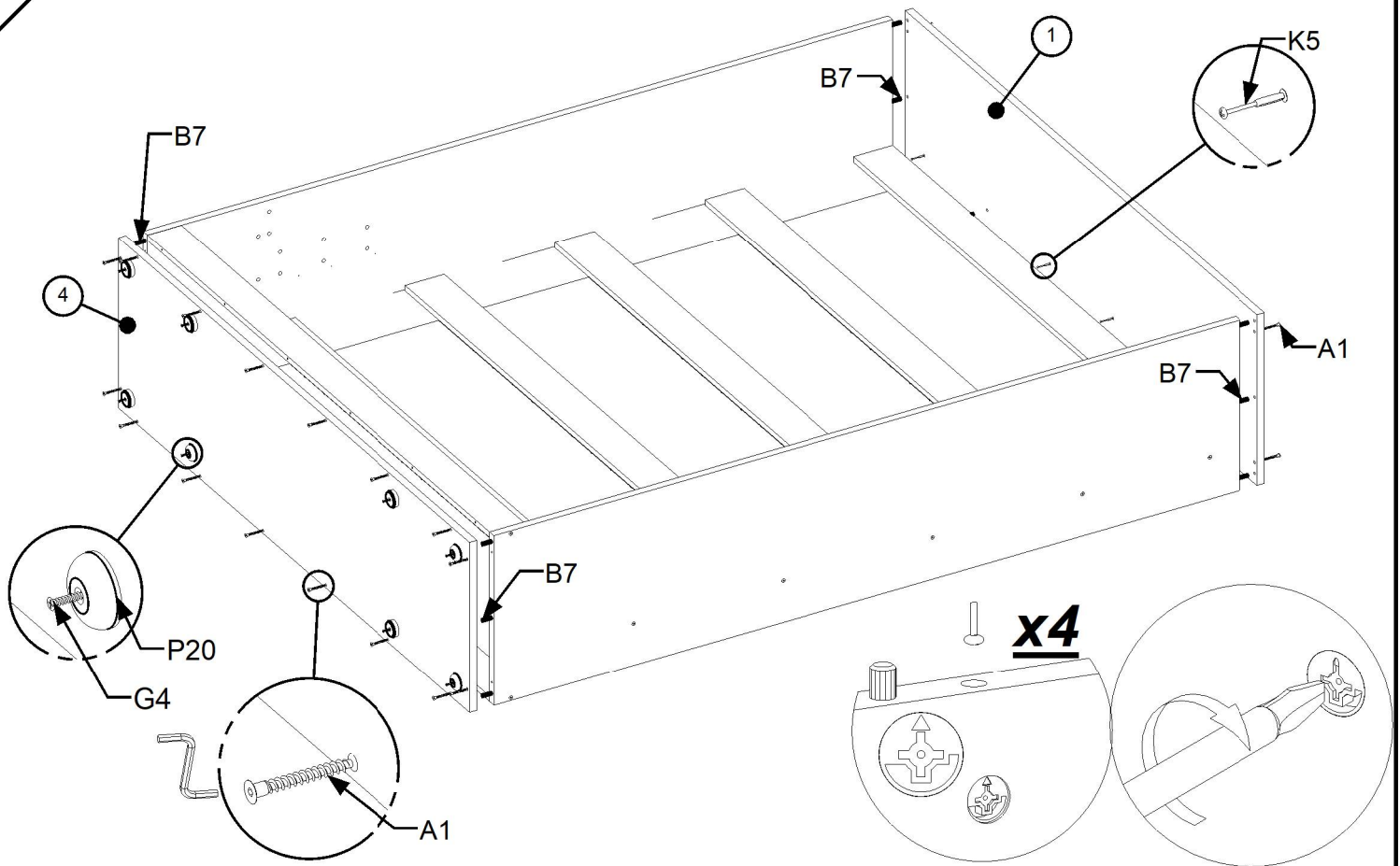
<b>1/5</b>	2, 3, 7, 11, 12, 13, 14, assembly instructions
<b>2/5</b>	1, 4, 5, 6, 8, 9
<b>3/5</b>	16, 17, 18, 19
<b>4/5</b>	Steel frame, mechanism, fittings
<b>5/5</b>	Handle, LED lights



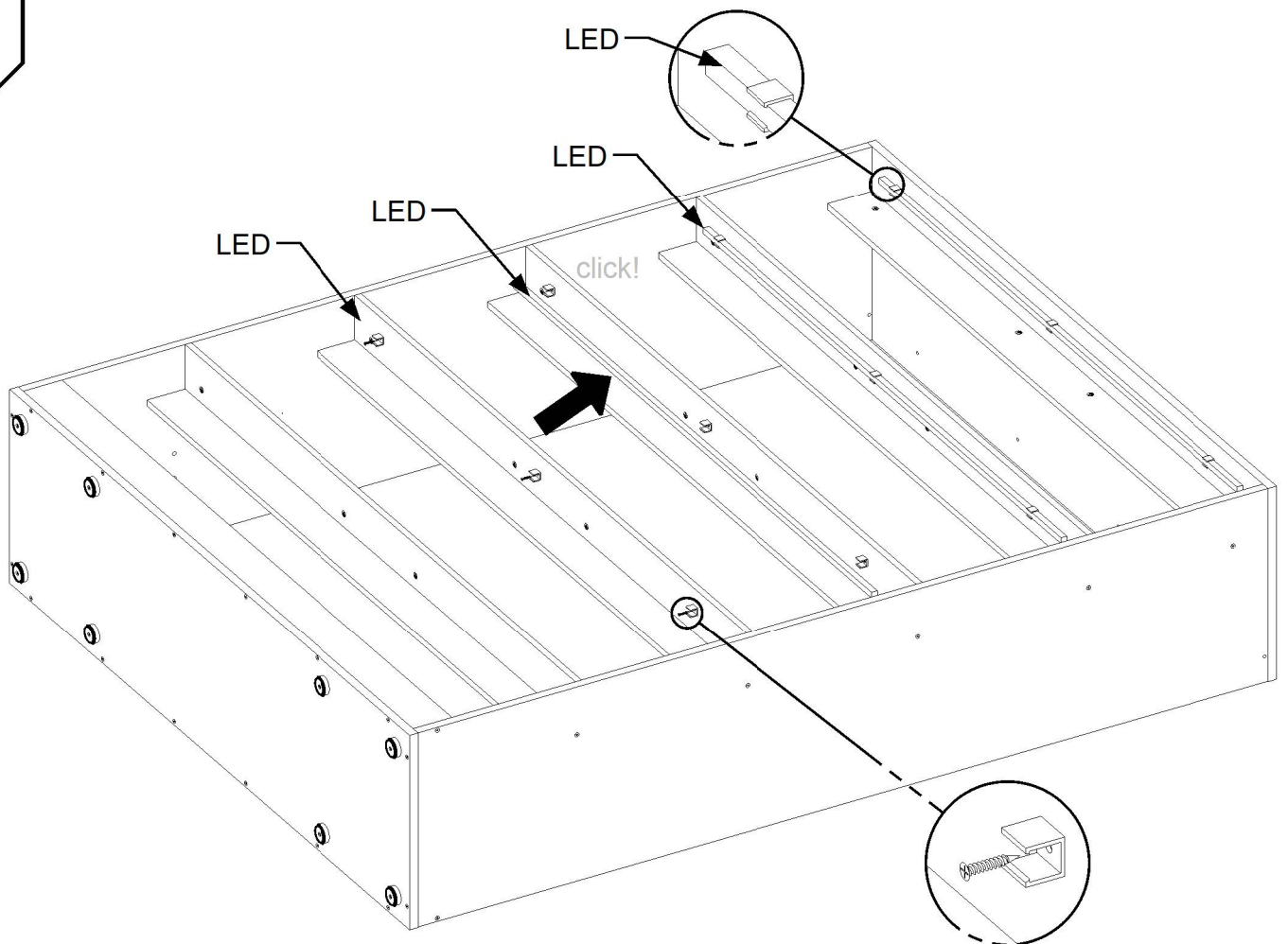


# 3

- B7** Ø8X30 12
- P20** 8
- G4** Ø4X16 8
- K5** 4
- A1** Ø7X50 20

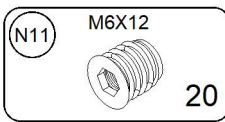
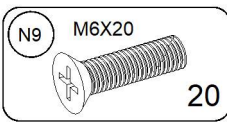
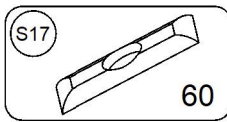
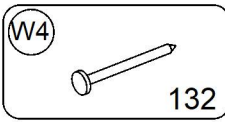


# 4

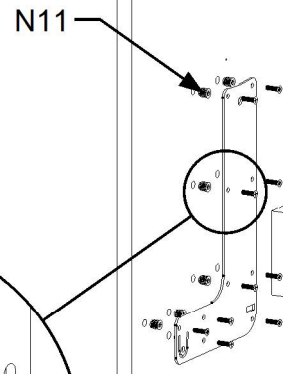
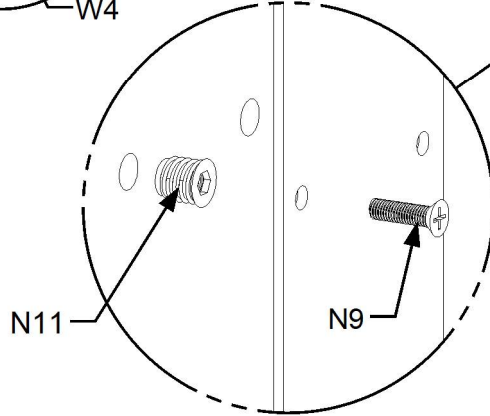
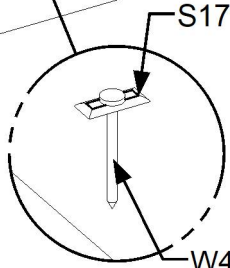
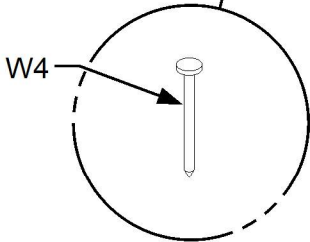
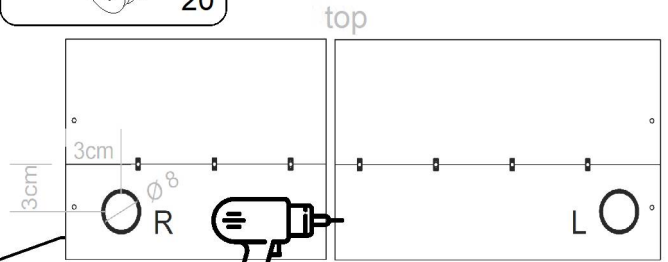
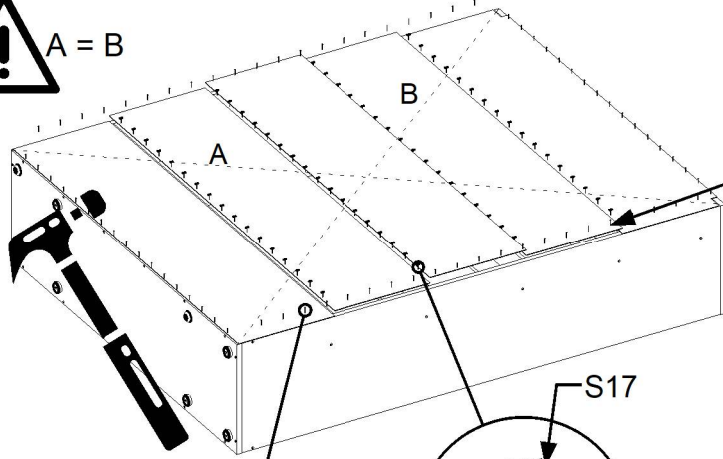


# 4

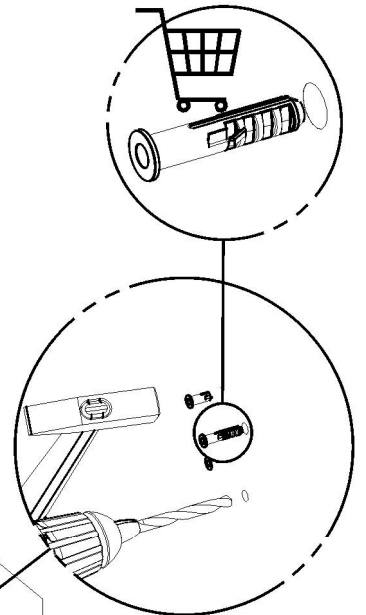
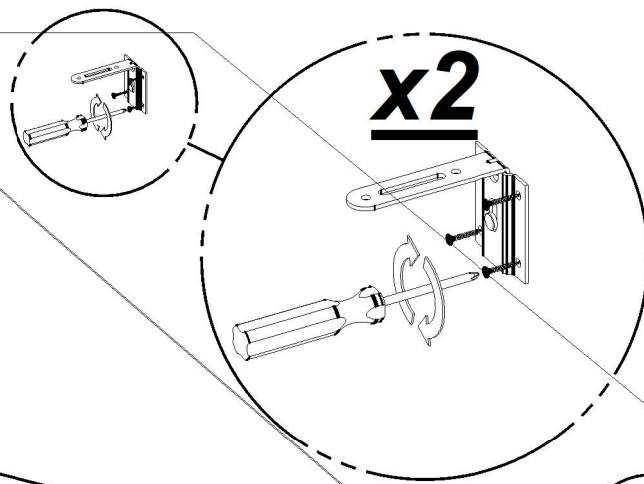
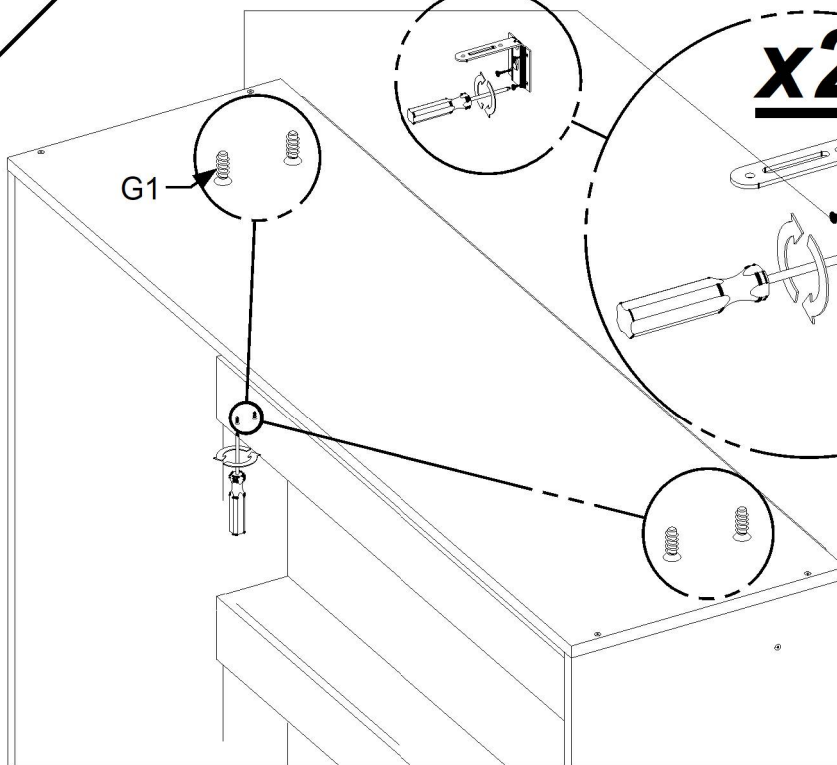
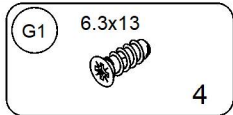
5



A = B

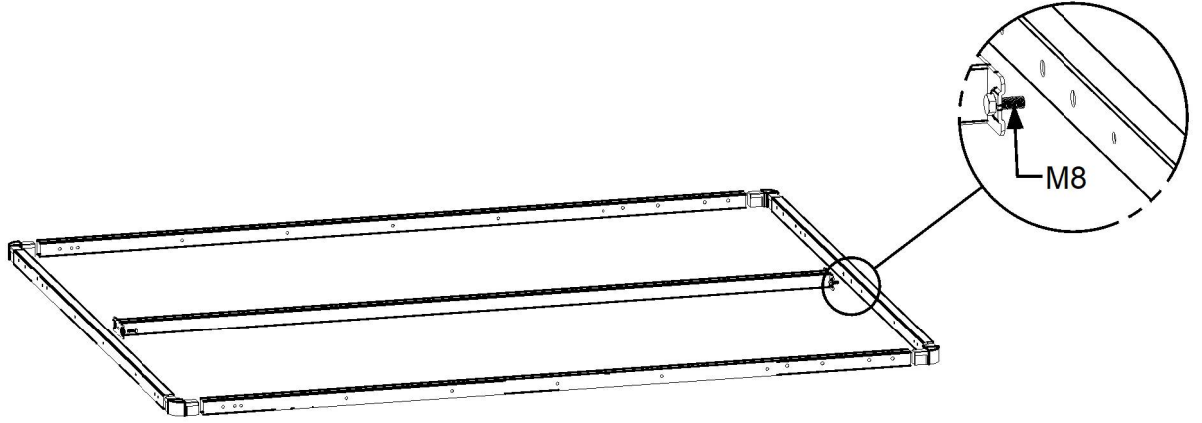


6

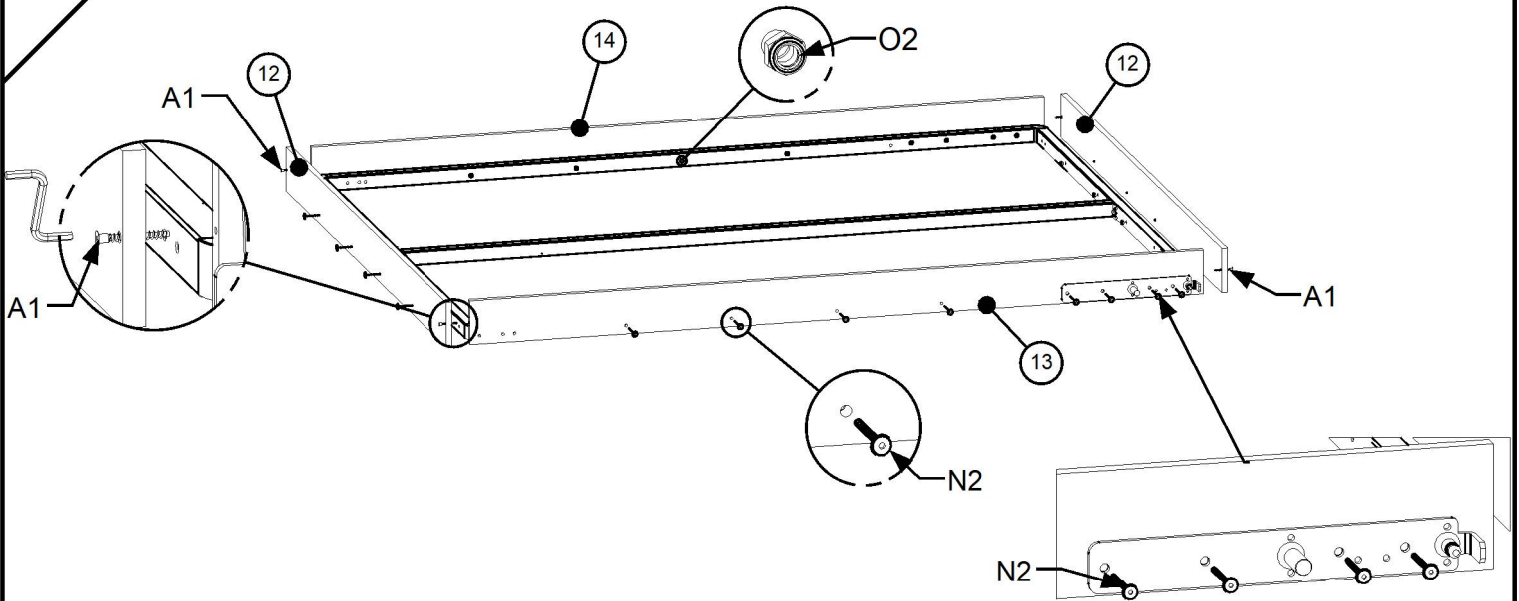


5

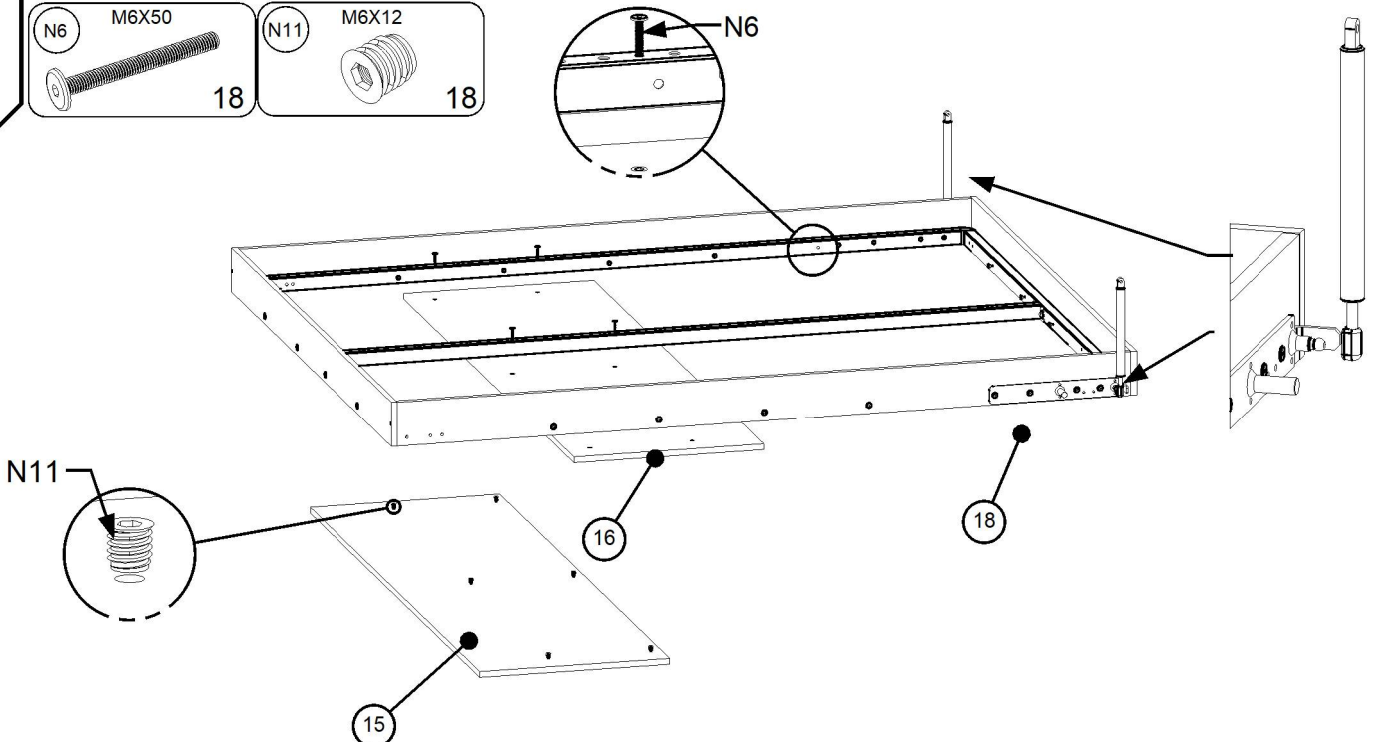
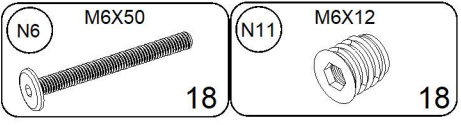
7



8

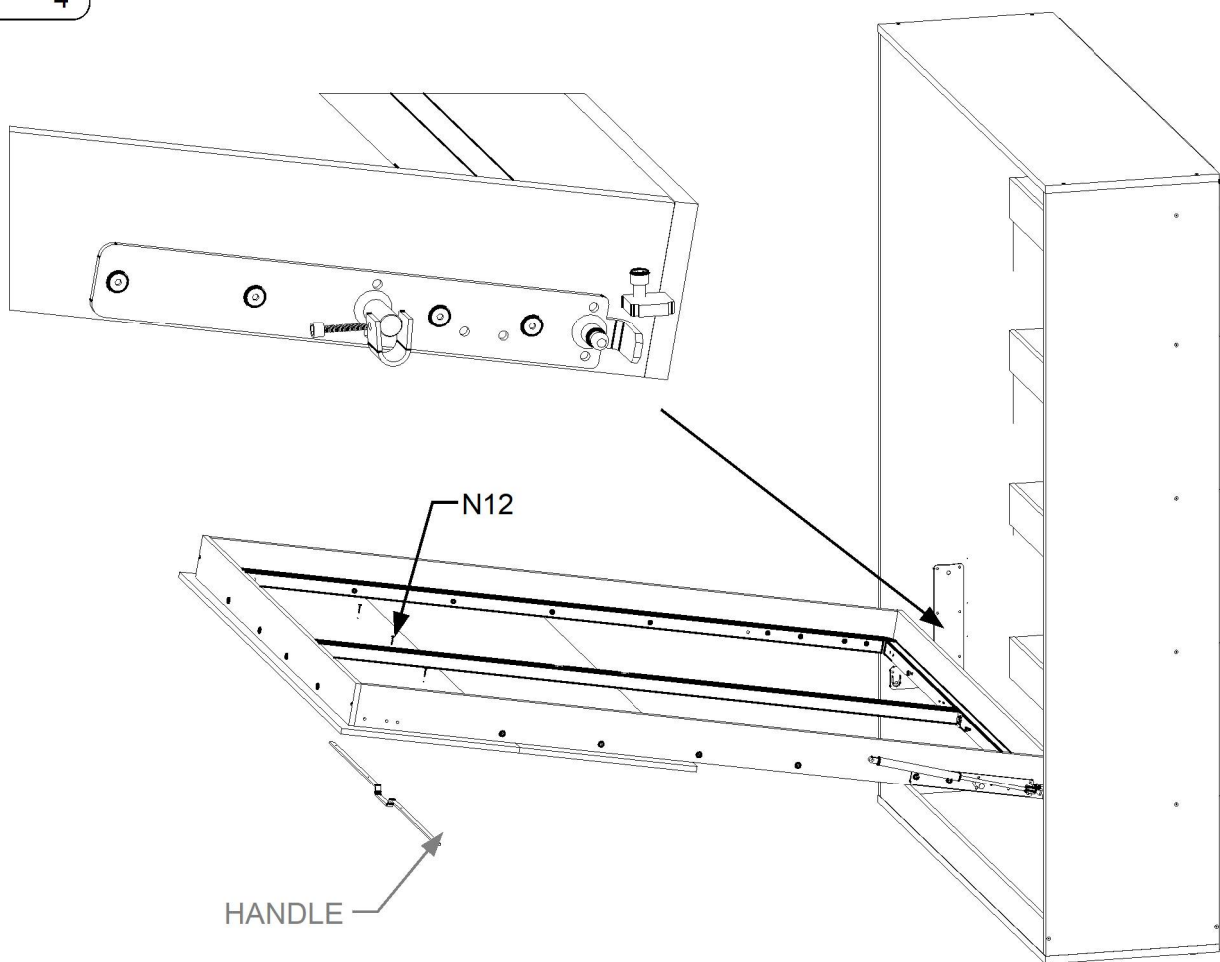
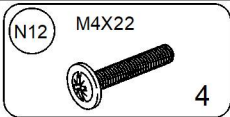


9

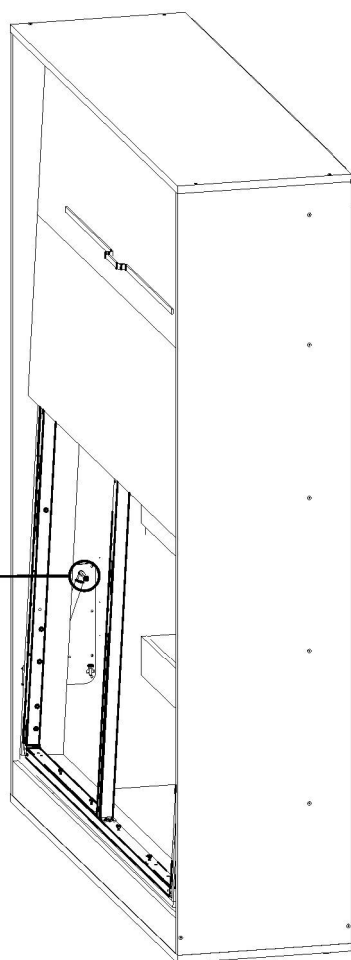
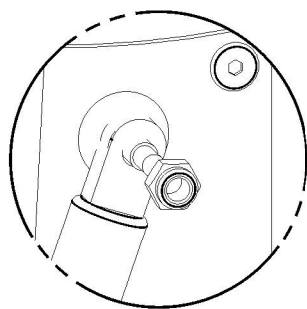


6

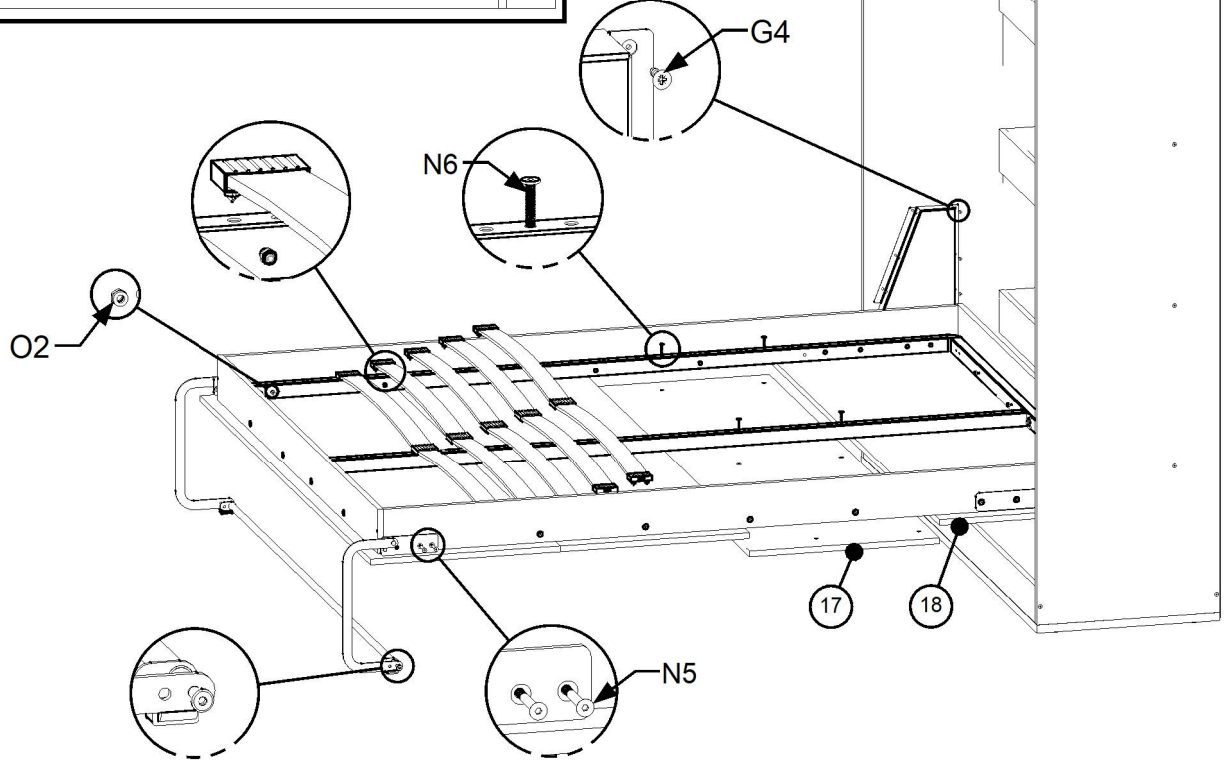
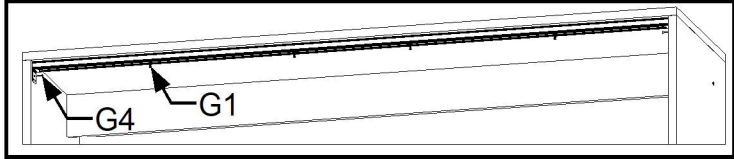
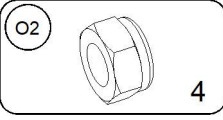
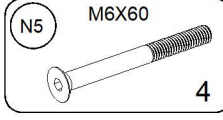
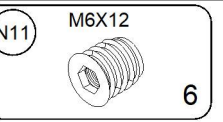
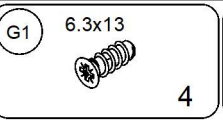
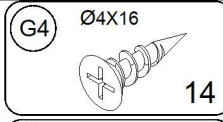
10



11



12



13

