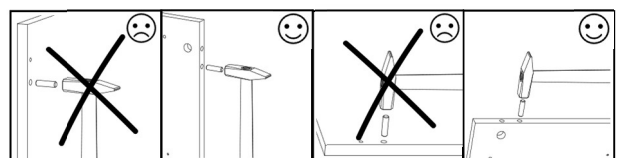
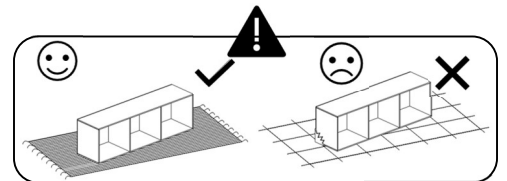
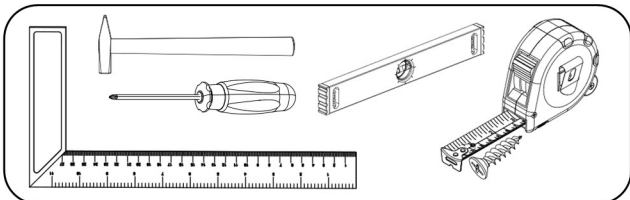
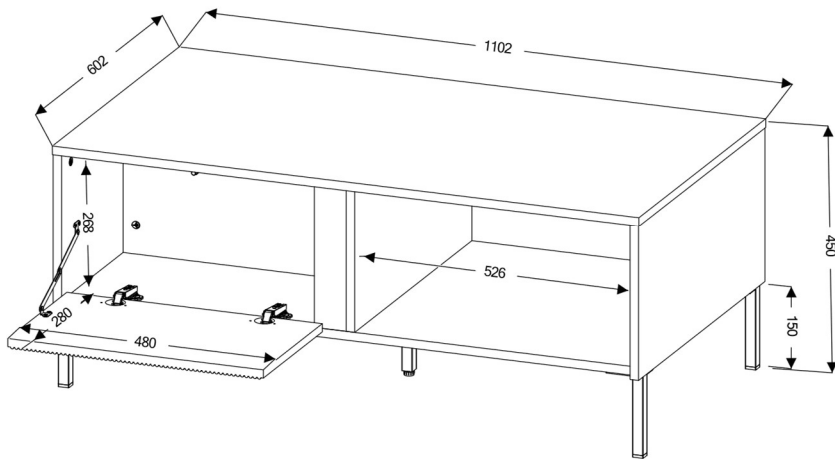
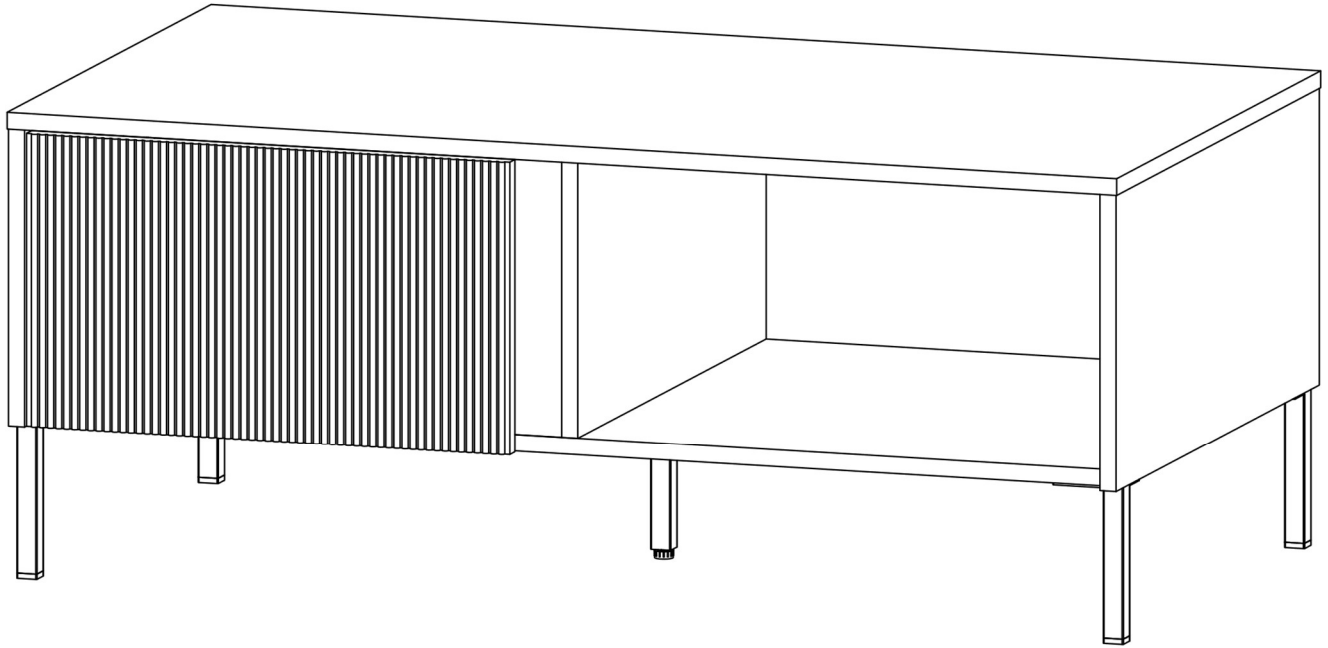
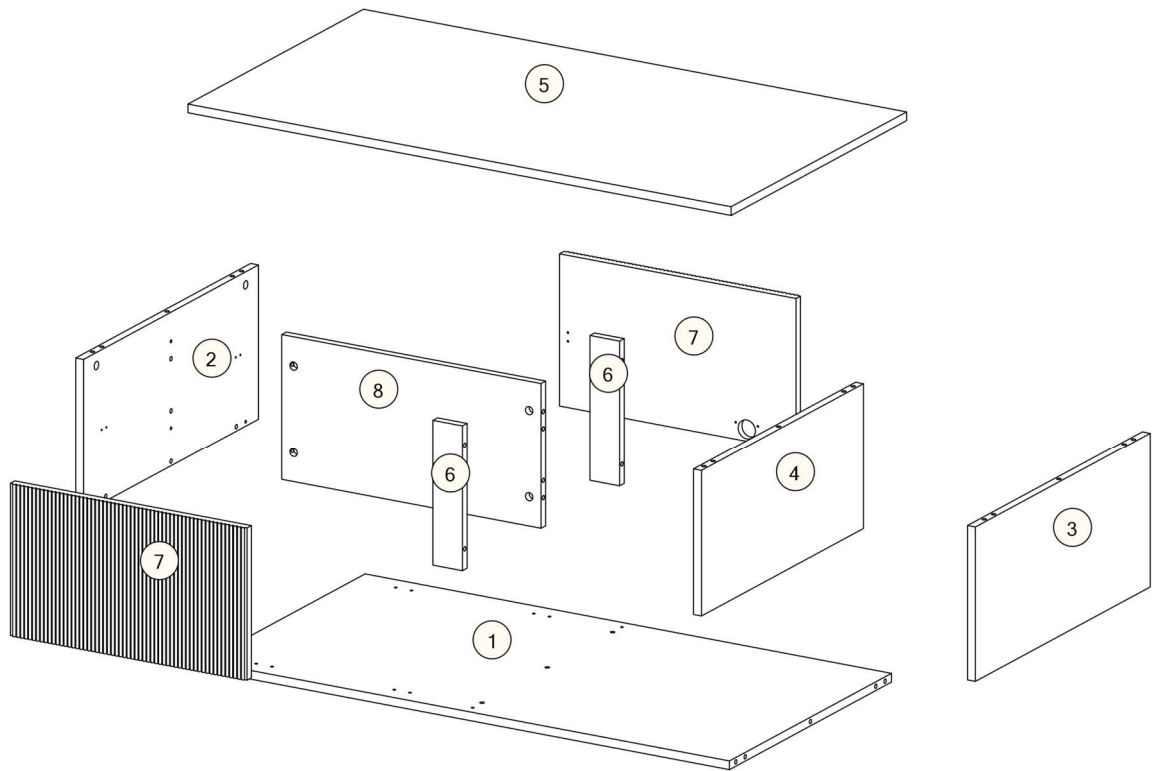
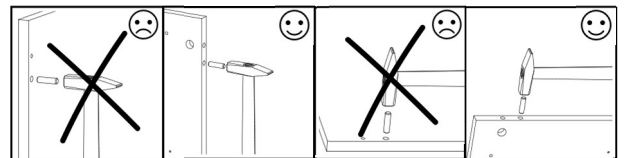
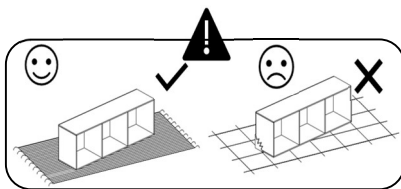


# Mia 8



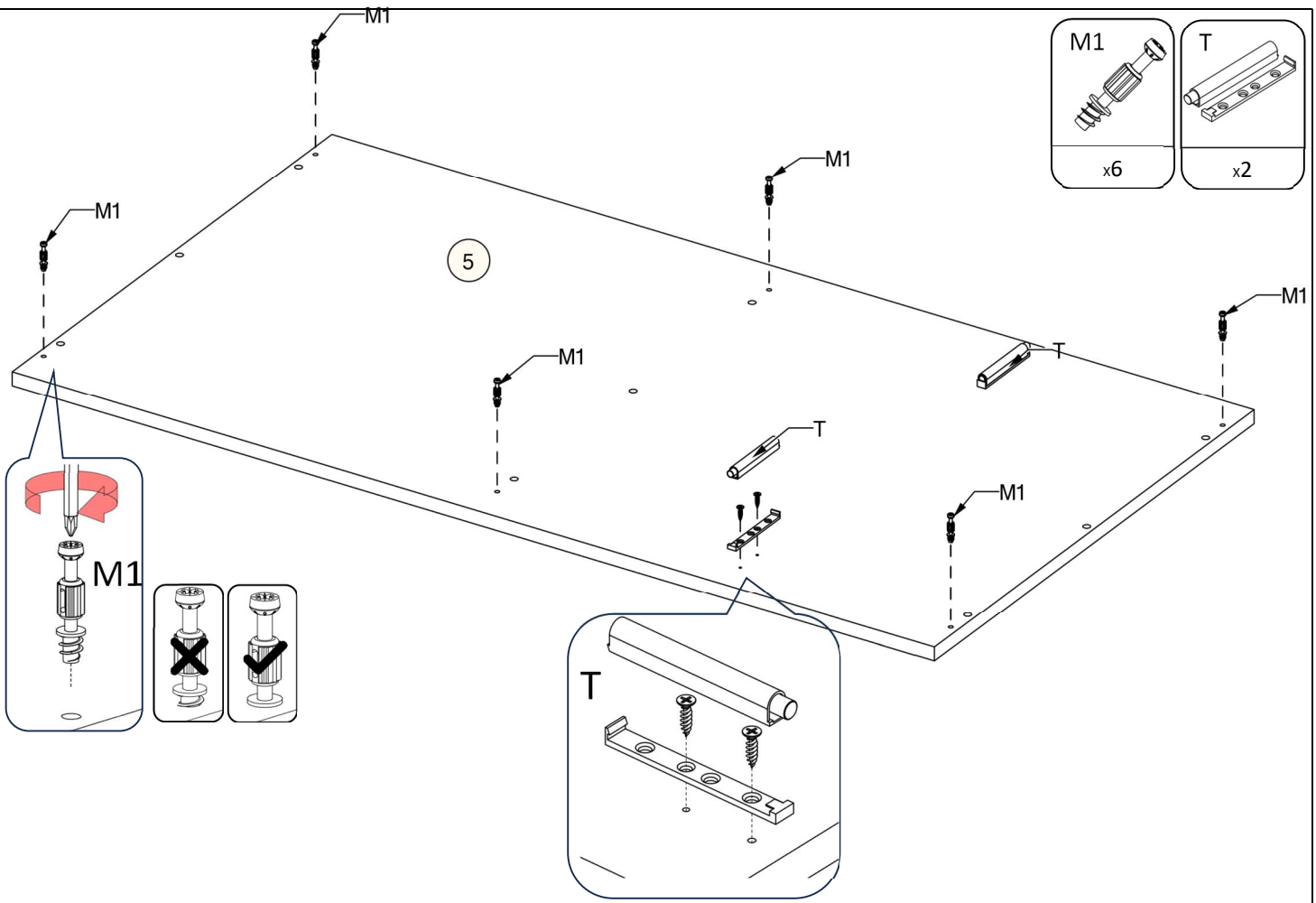


No.	T(mm)	L(mm)	W(mm)	Stc.
1	16	1068	556	1
2	16	284	600	1
3	16	284	600	1
4	16	268	556	1
5	16	1102	602	1
6	16	526	268	1
7	18	480	280	2
8	16	268	60	2

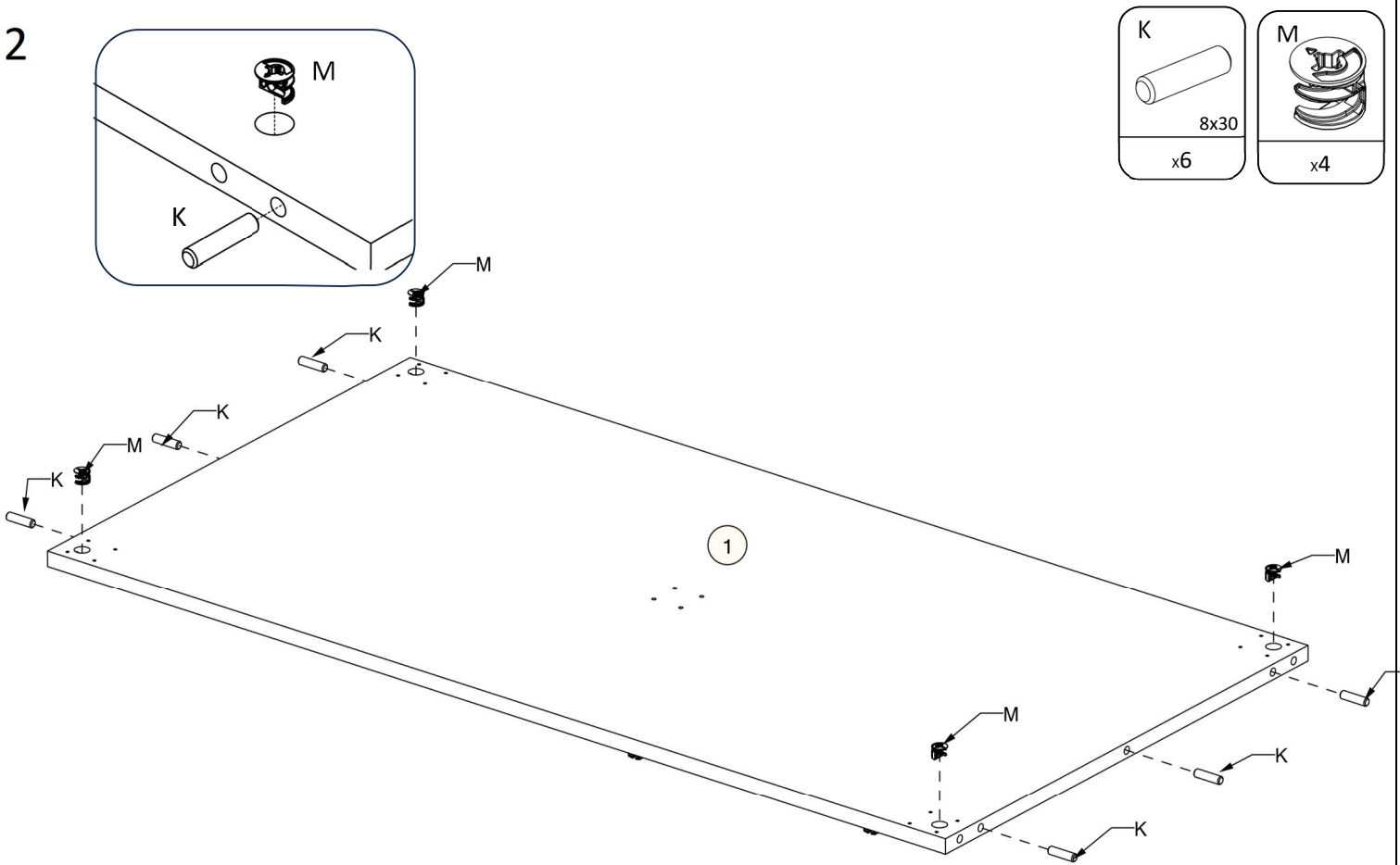


<b>K</b>  8x30 x26	<b>M1</b>  x16	<b>M</b>  x16	<b>Z</b>  x4	<b>D4</b>  4x16 x28	<b>GL</b>  GLUE x1	<b>R</b>  x2	<b>ZM</b>  x16	<b>Z2</b>  x4	<b>T</b>  x2
<b>N</b>  x2	<b>N1</b>  x1	<b>N2</b>  x2	<b>D6</b>  3x16 x8						

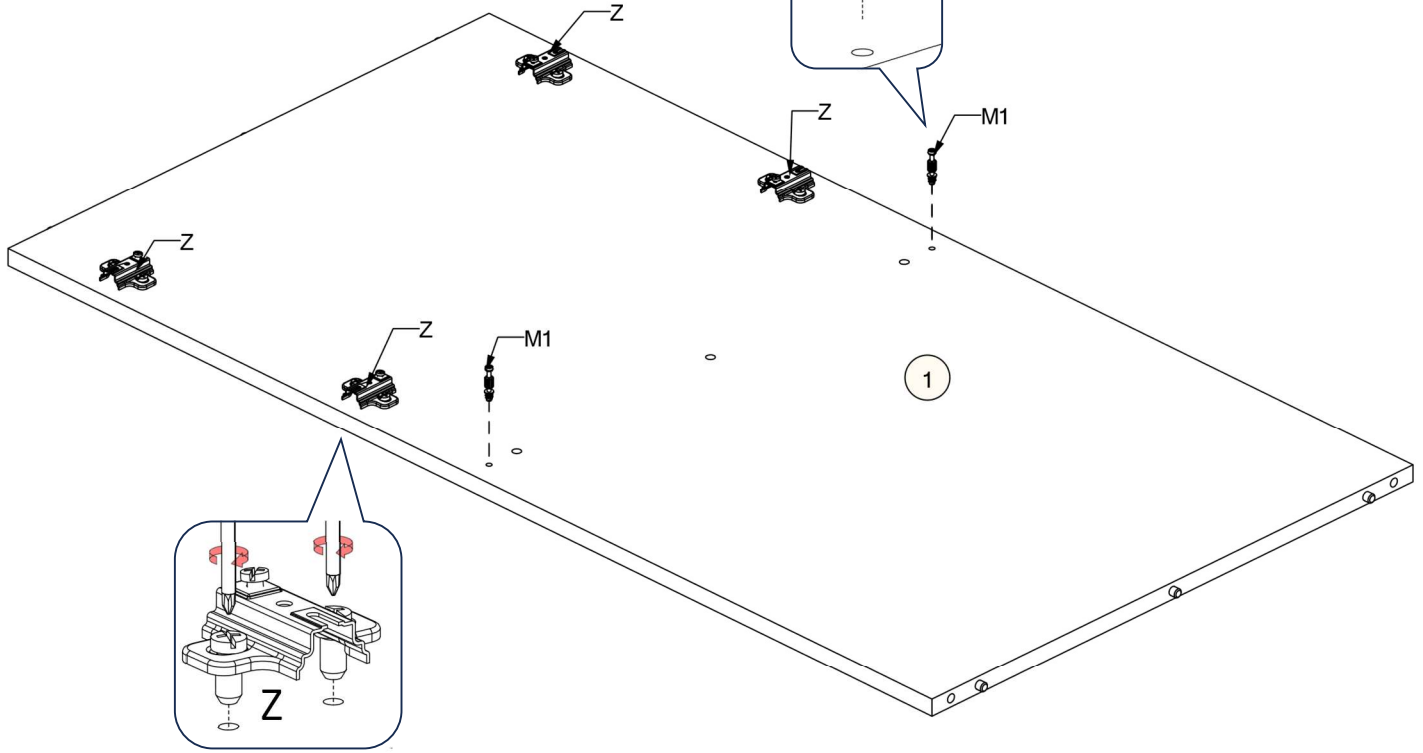
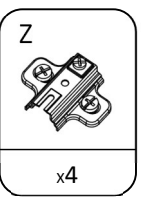
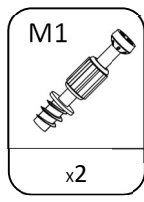
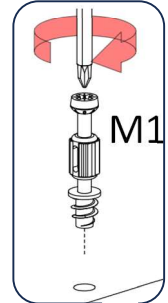
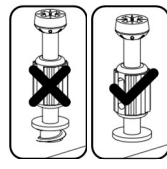
1



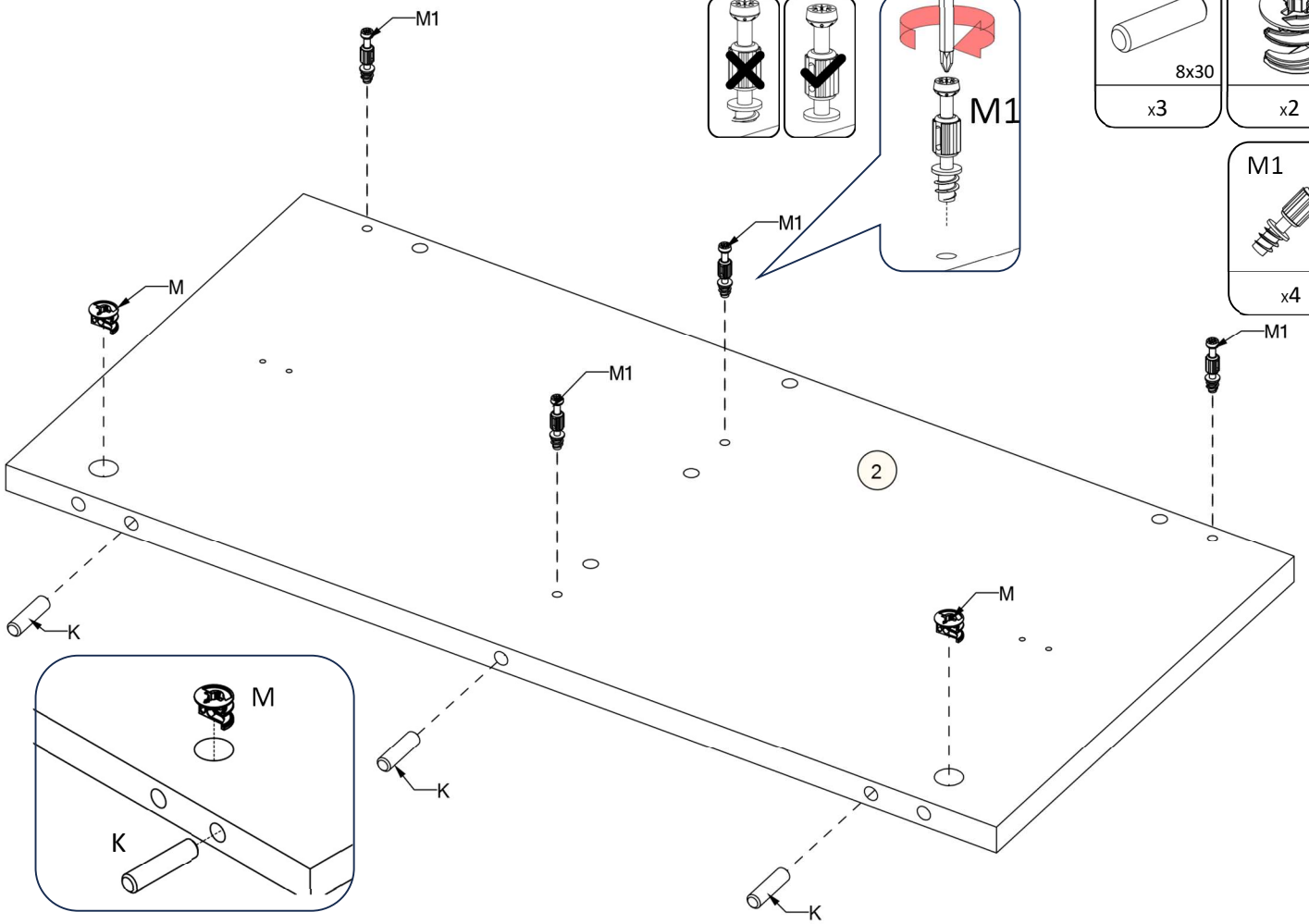
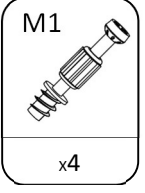
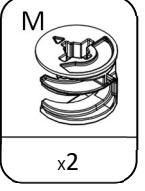
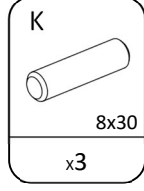
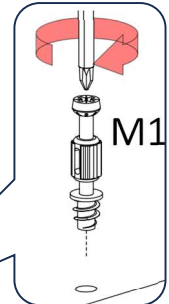
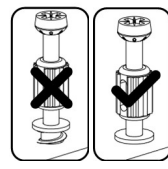
2



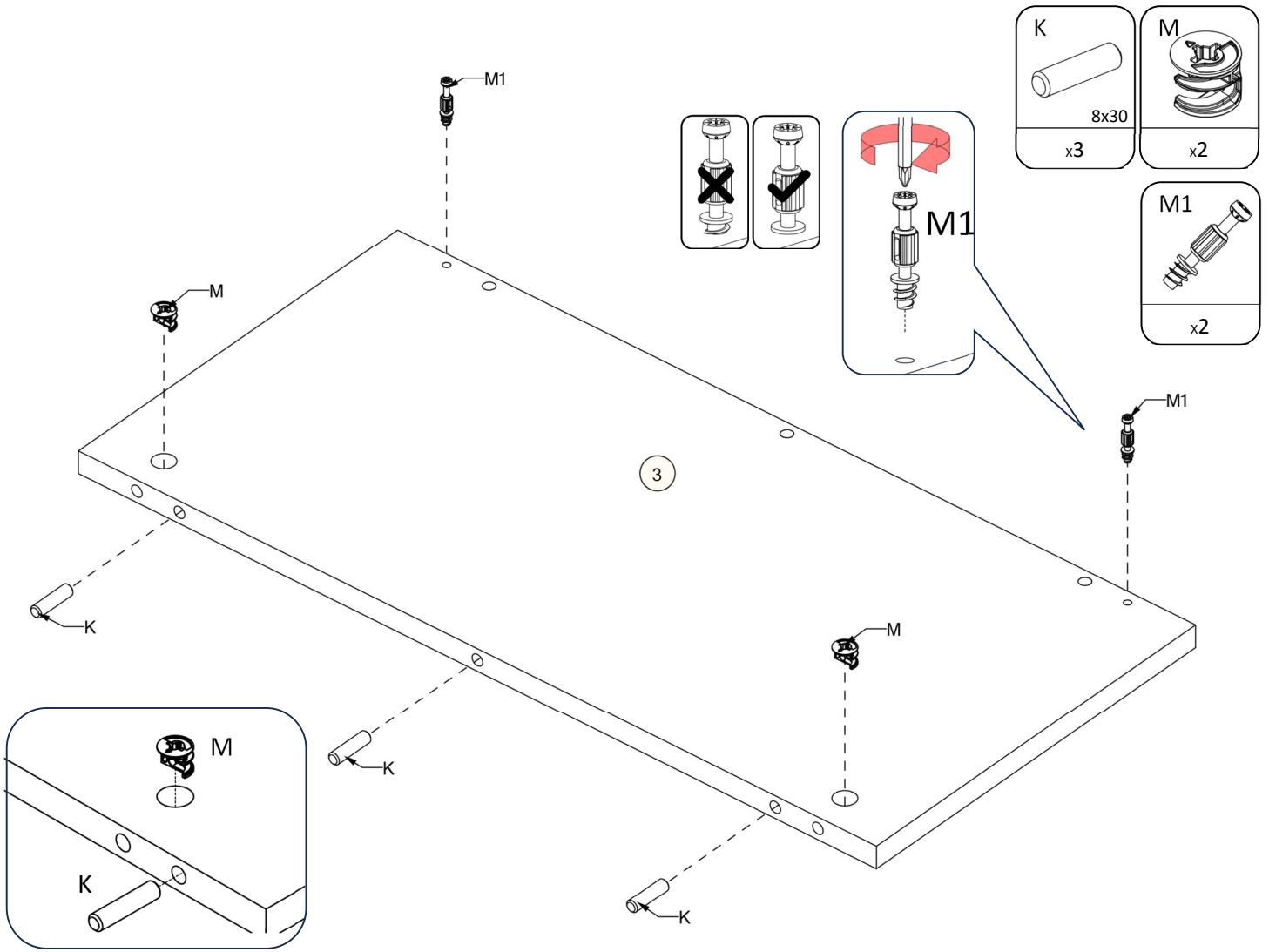
3



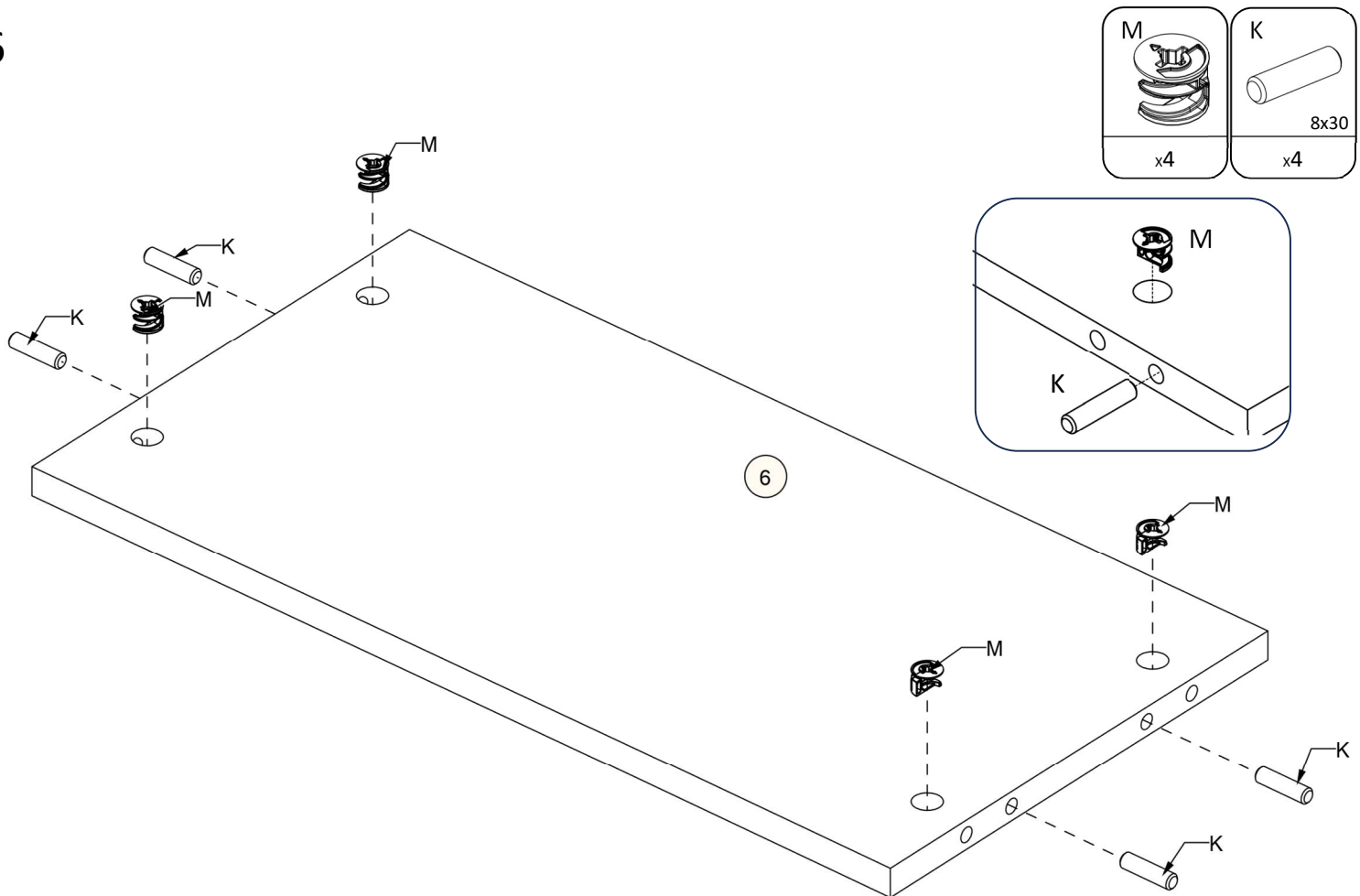
4



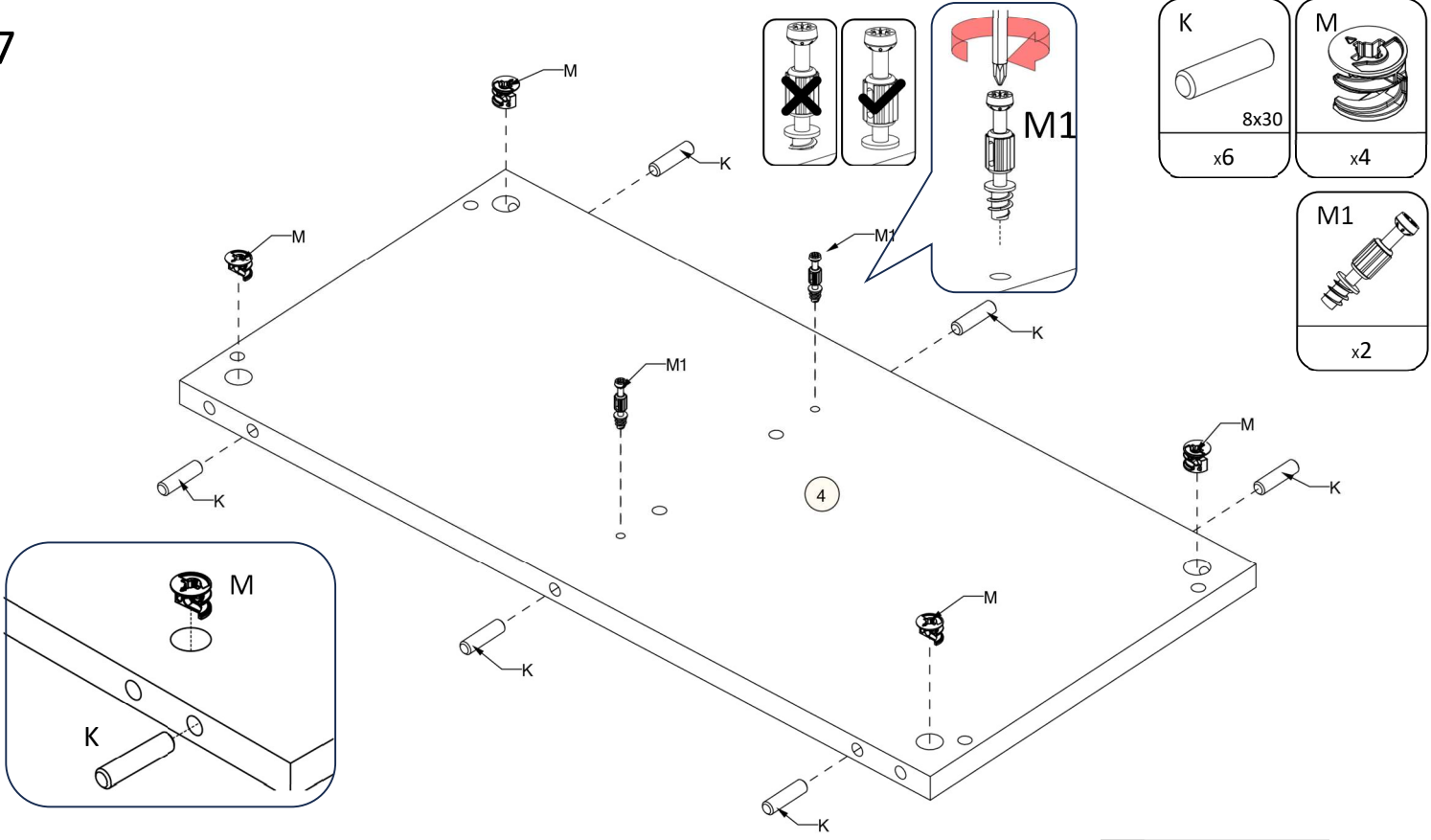
5



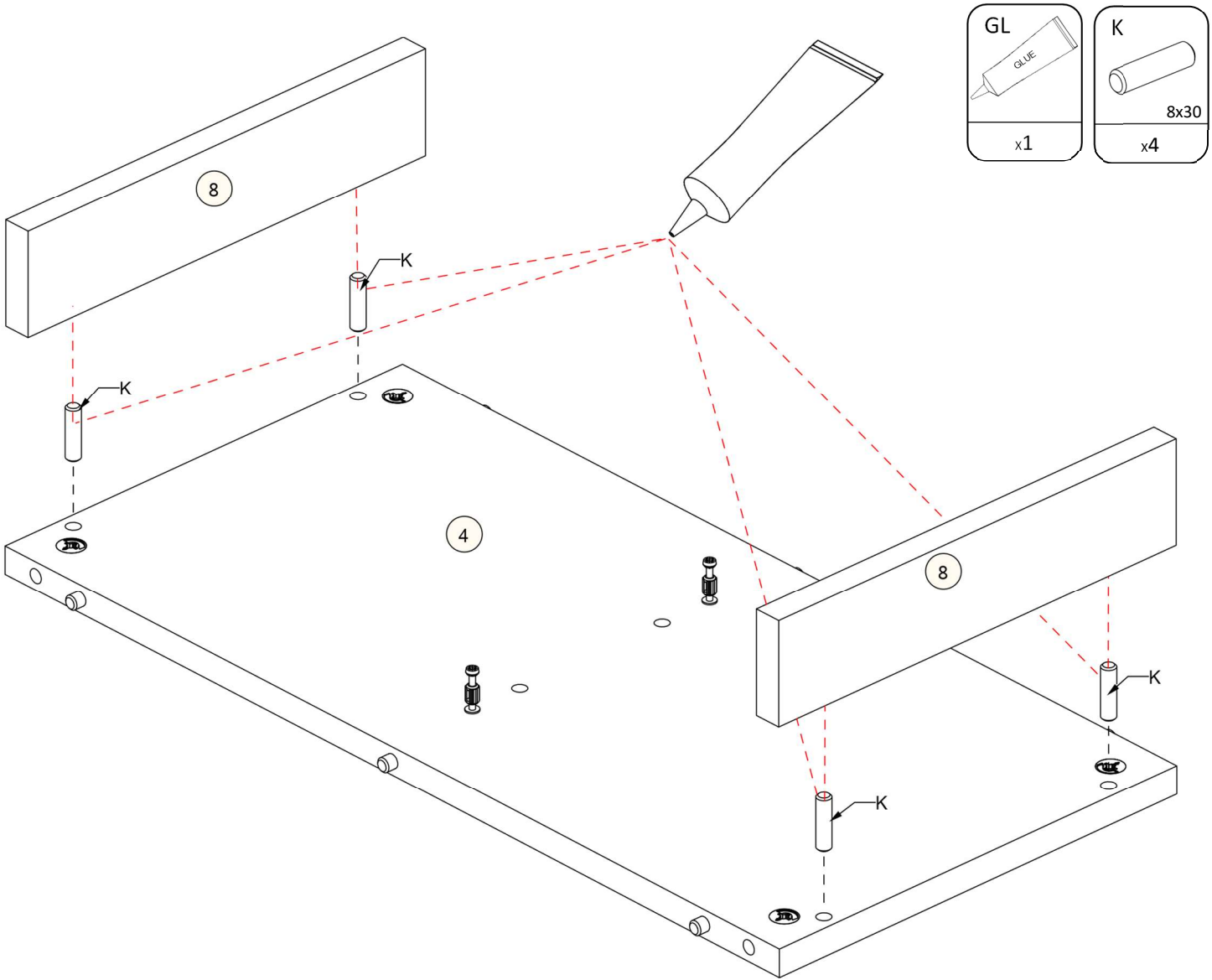
6



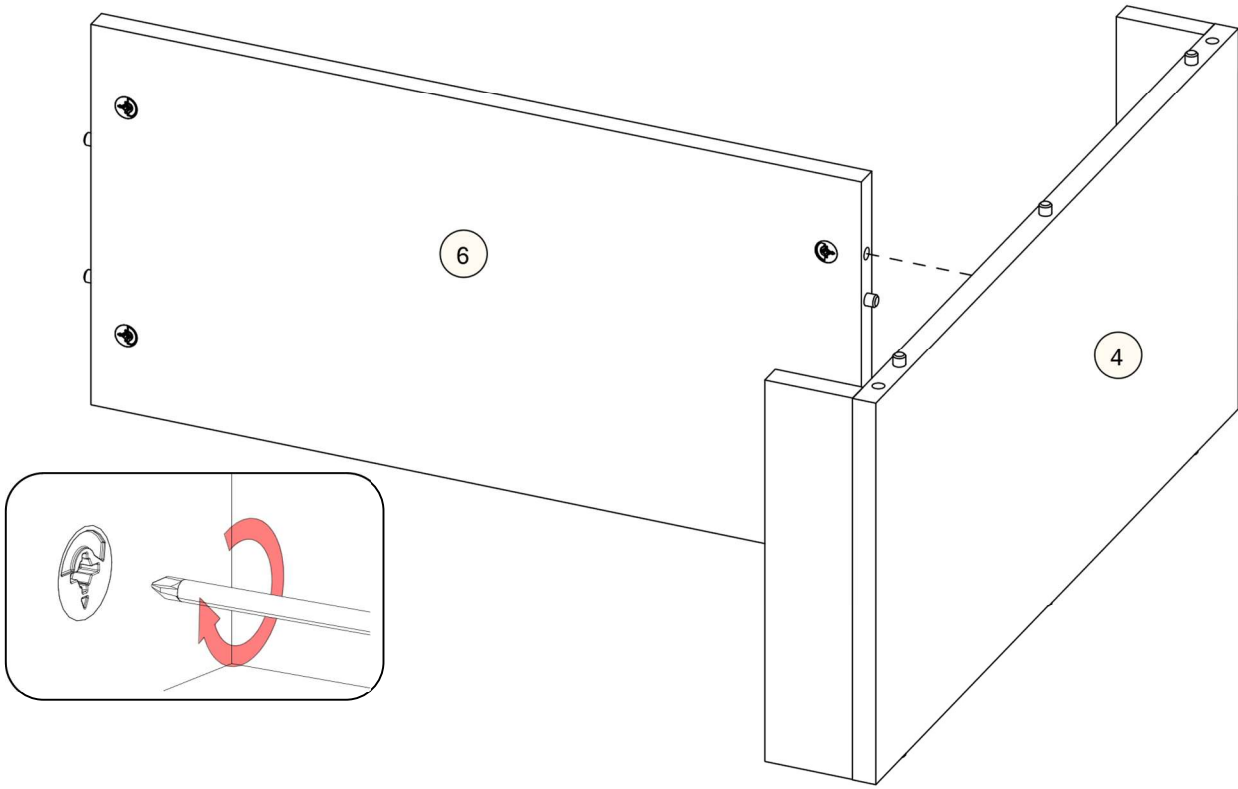
7



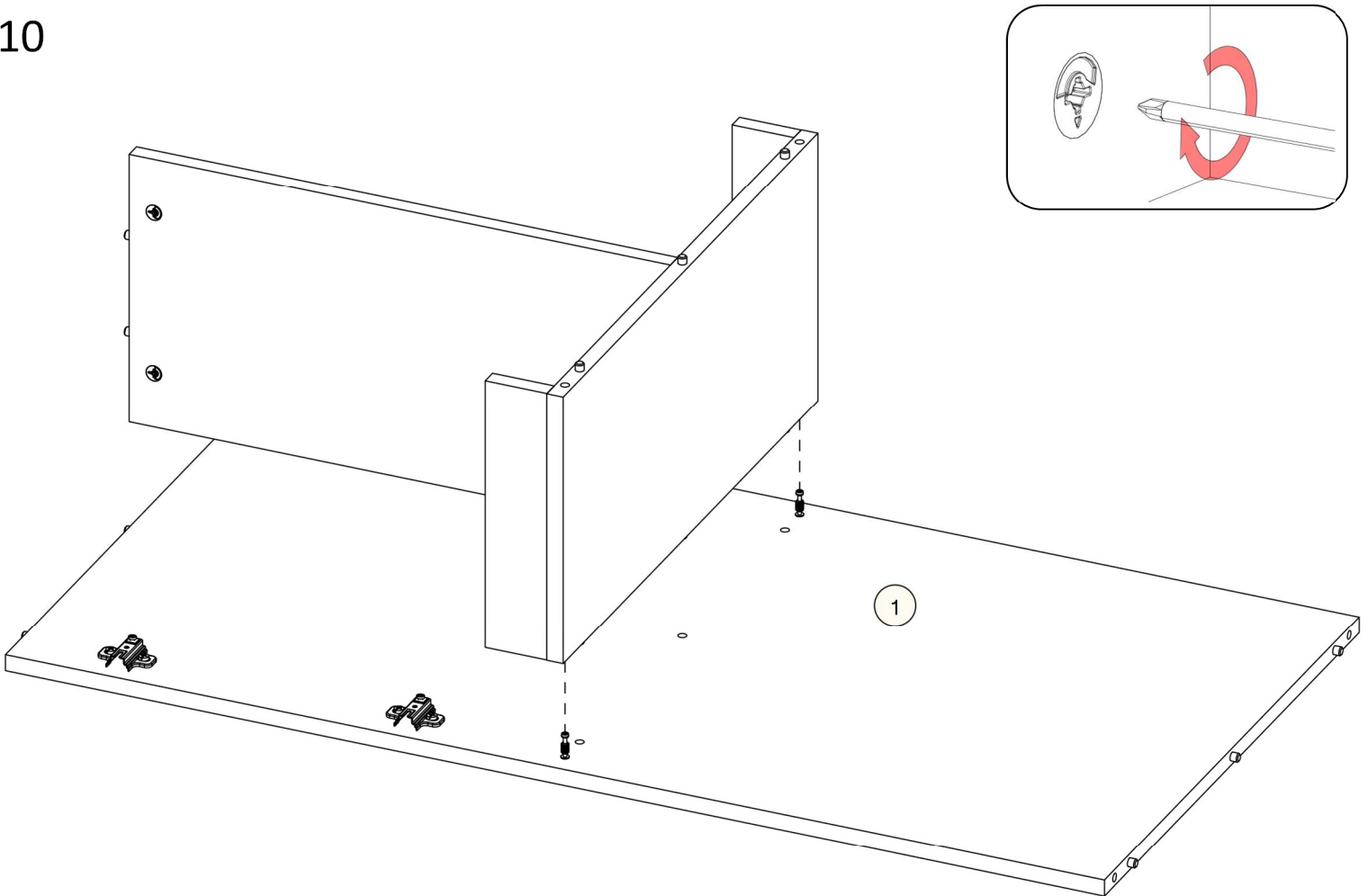
8



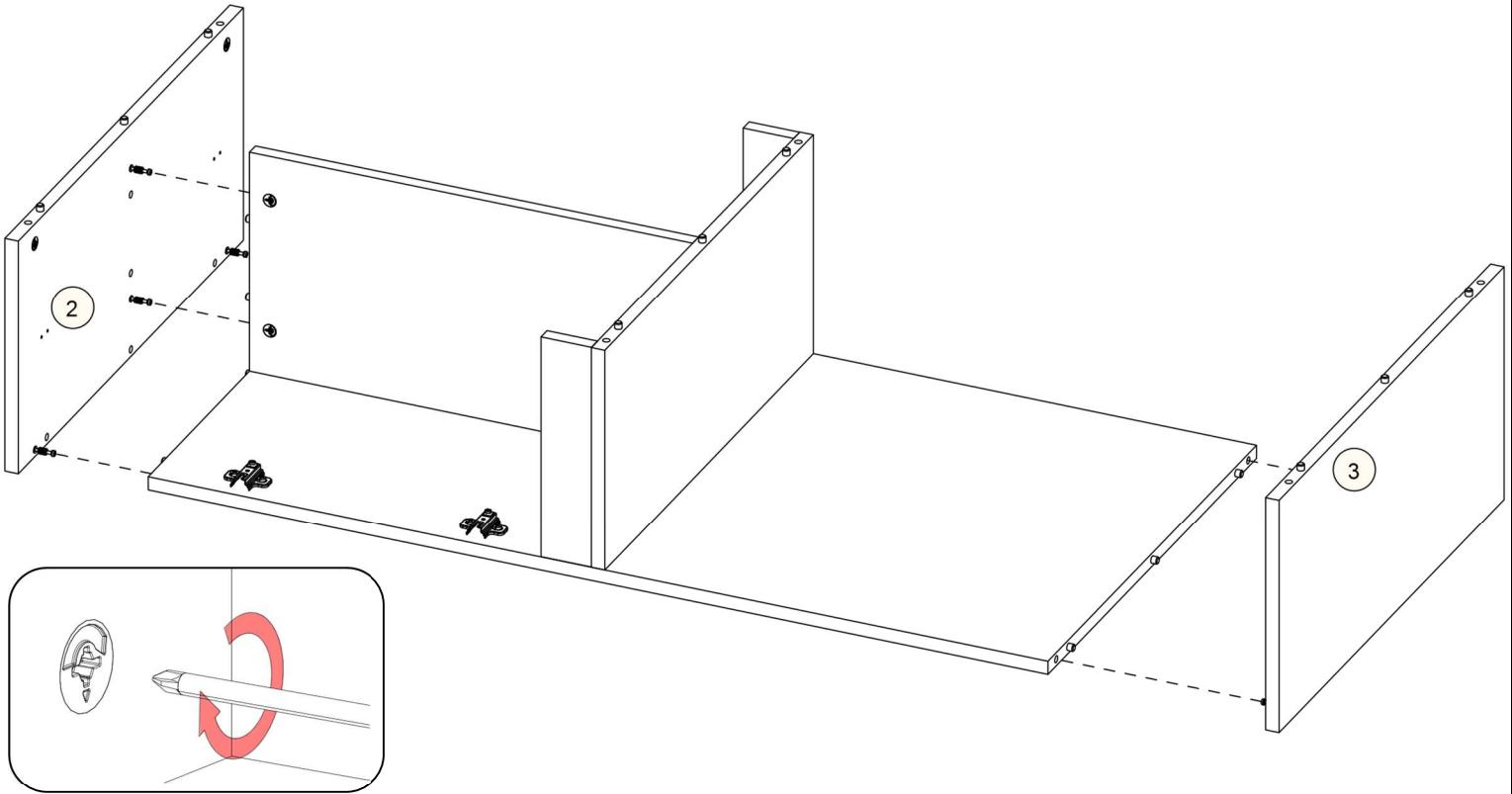
9



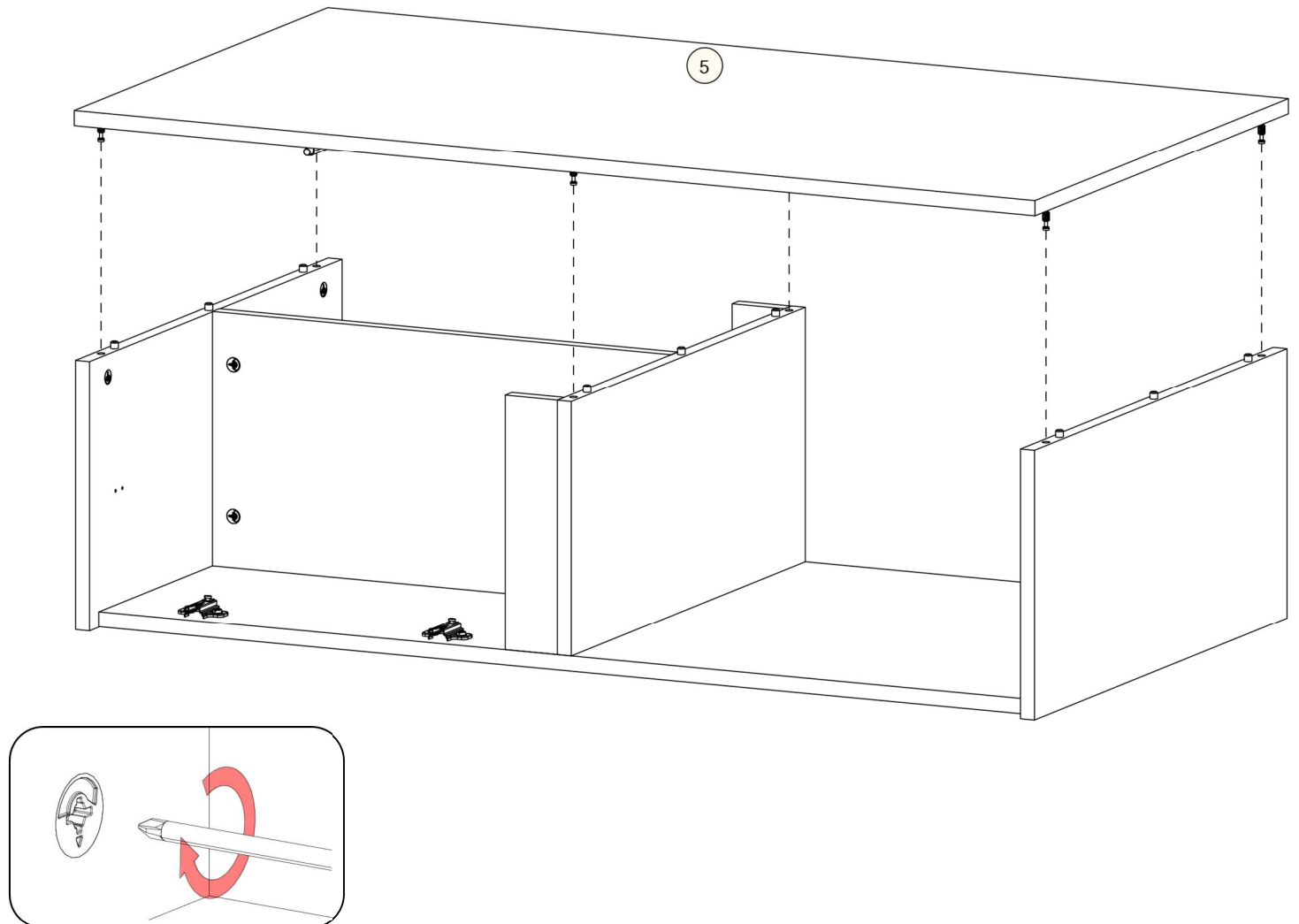
10



11

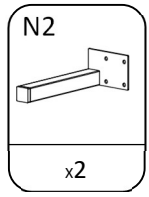
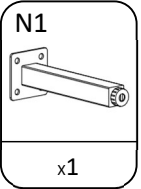
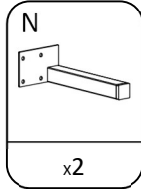
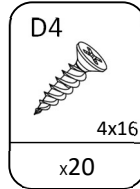
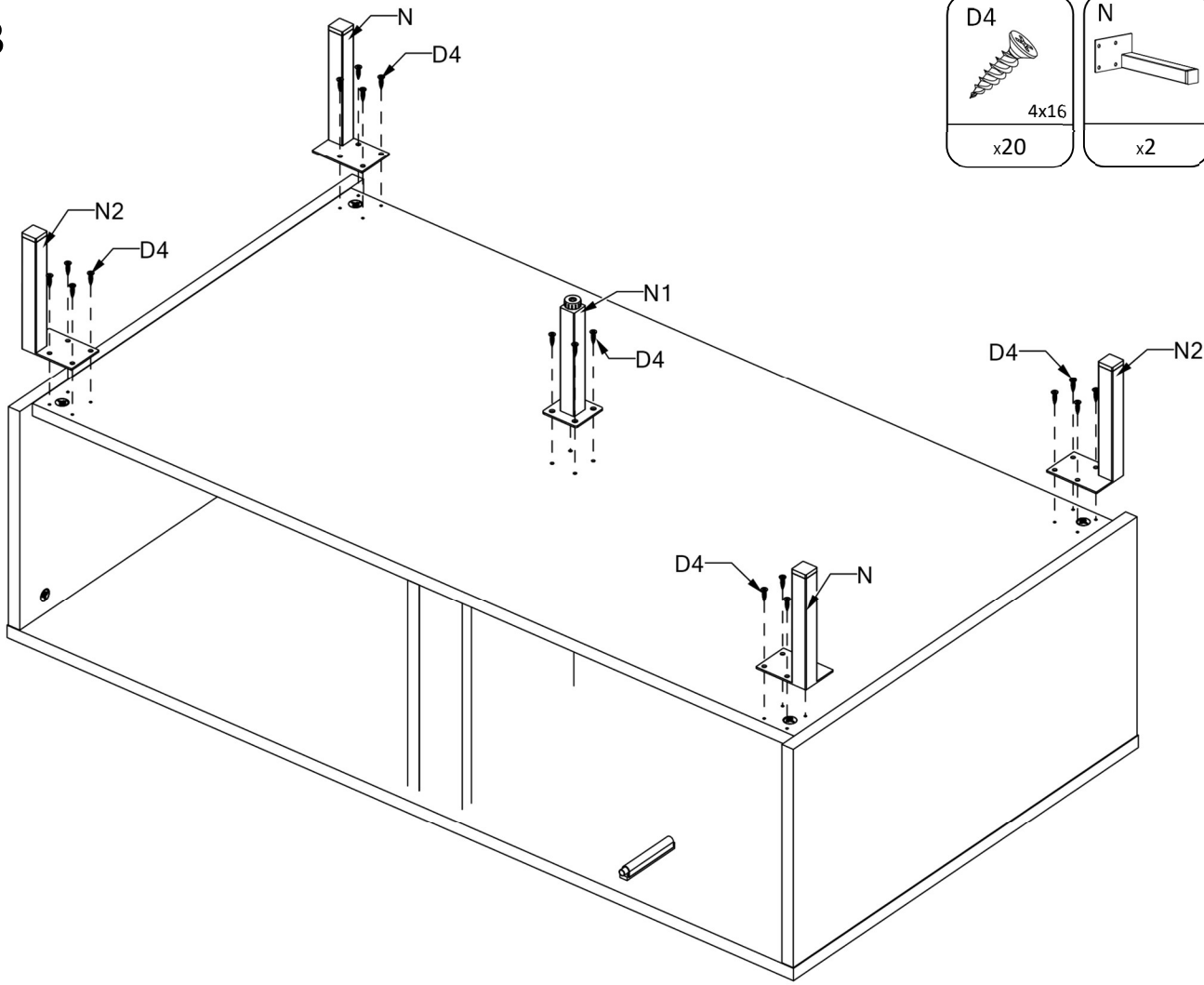


12

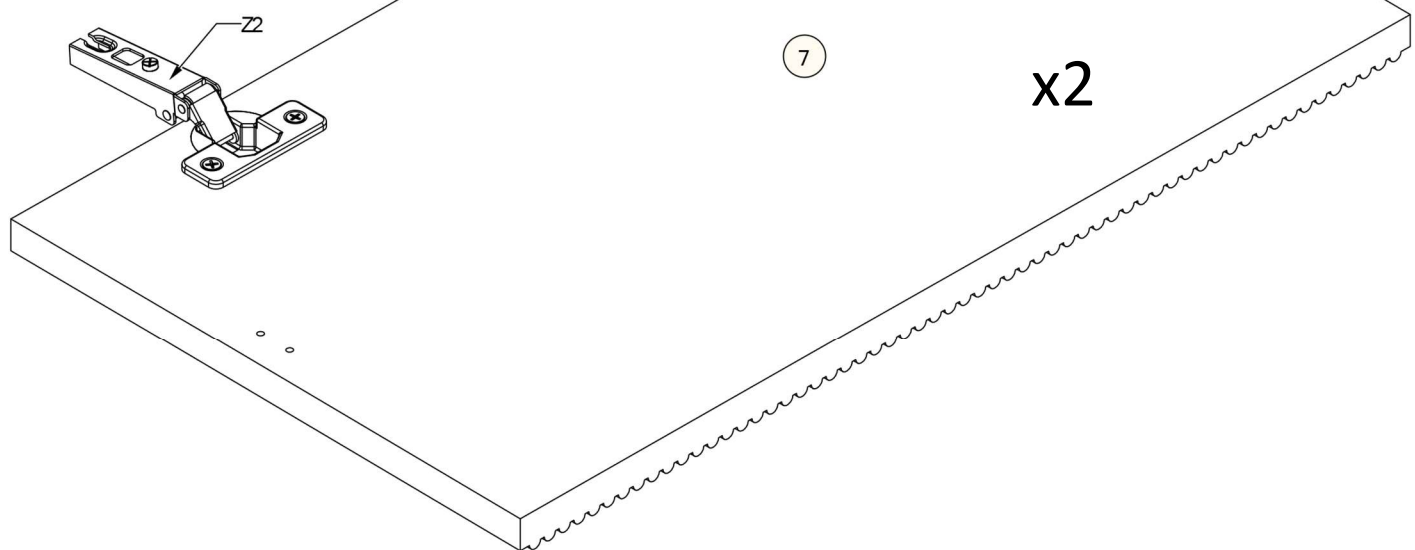
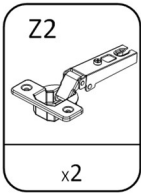
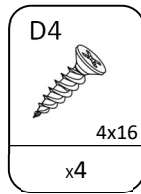
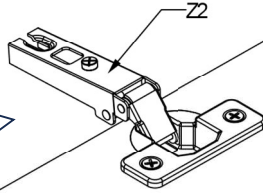
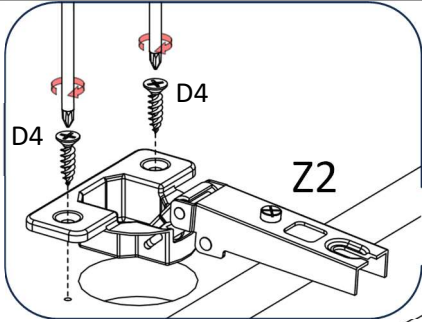




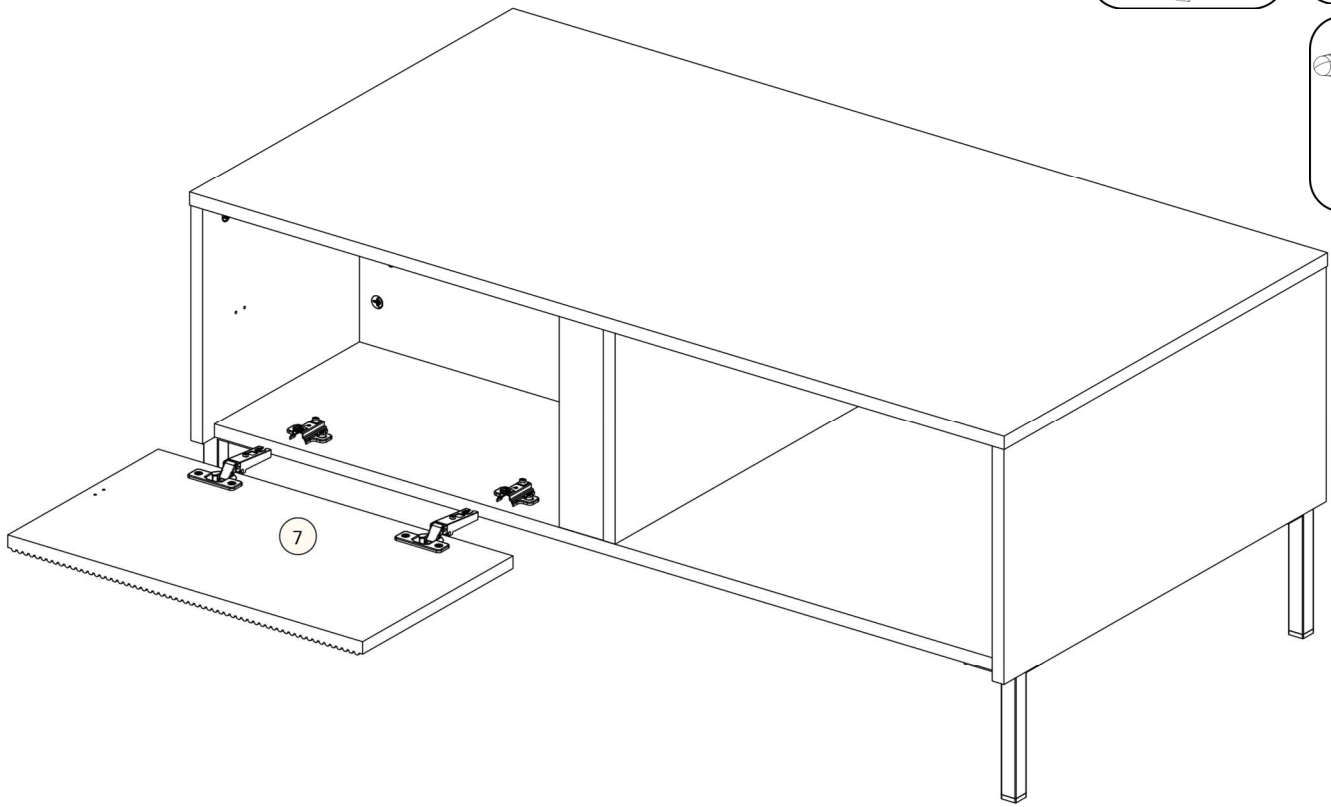
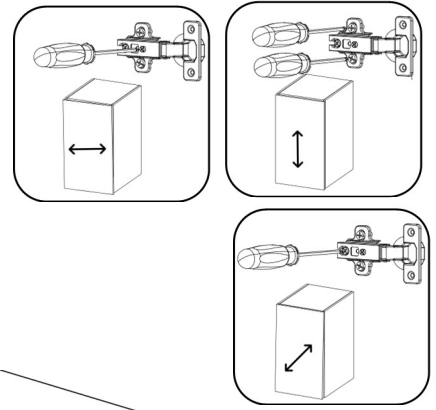
13



14



15



16

