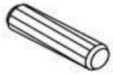










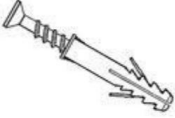
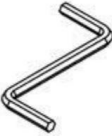


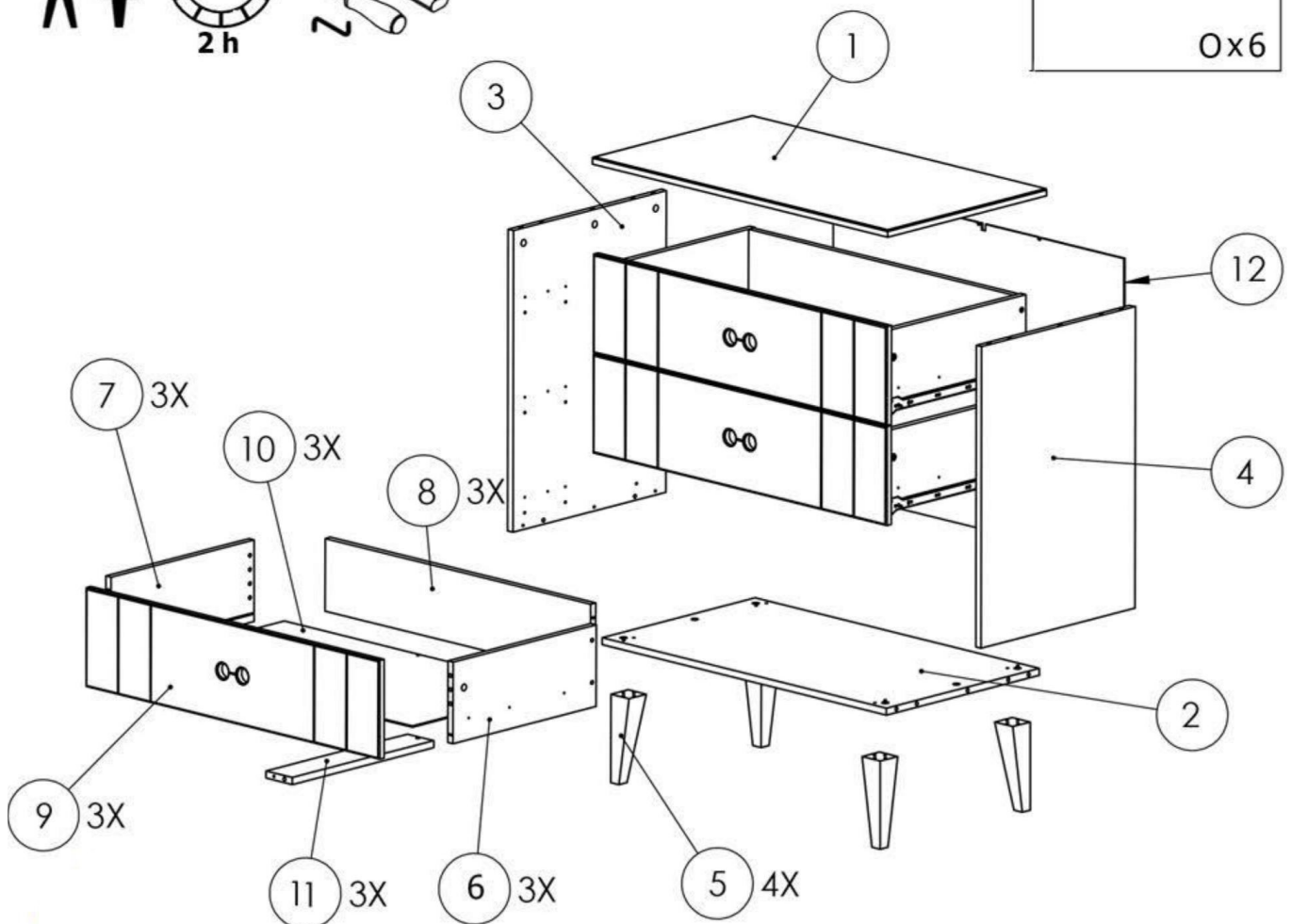
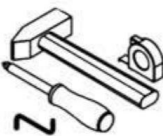


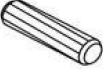




KOMODA M4-MIKI

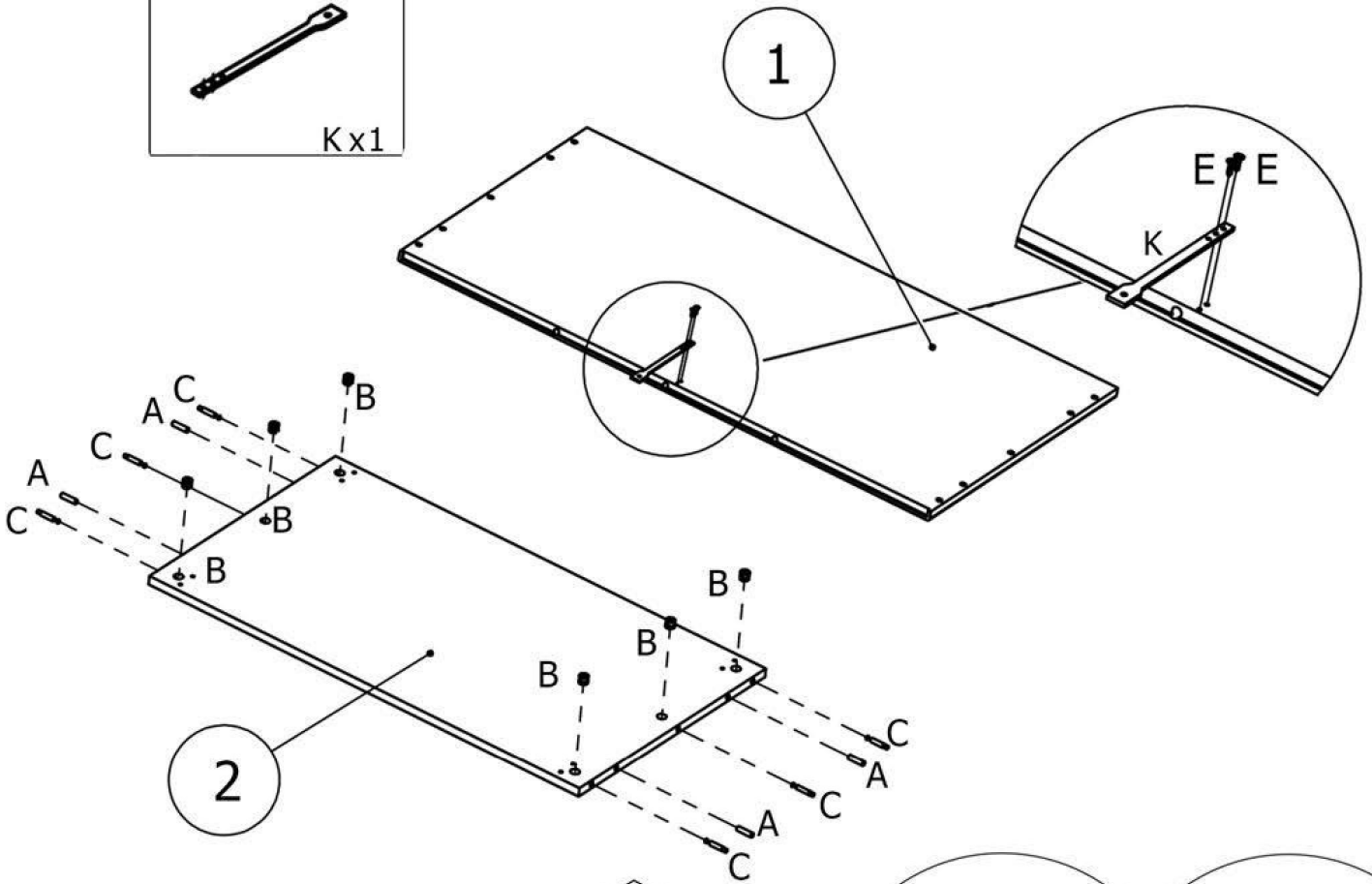
"Montaż na miękkim podłożu!"

 Ø8x30 mm Ax35	 Bx15	 43 mm Cx15	 Dx1	 Ø3,5x13 mm Ex20
 Ø7x40 mm Fx20	 Gx6		 Hx60	 Ix4
 Ø6x13 mm Jx12	 Kx1	 Lx1	 Mx1	 titus Nx6
				 titus Ox6

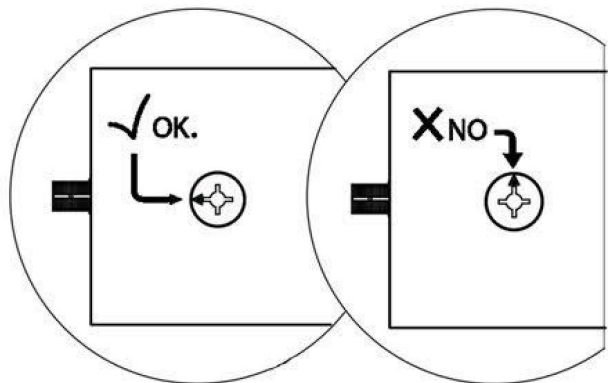
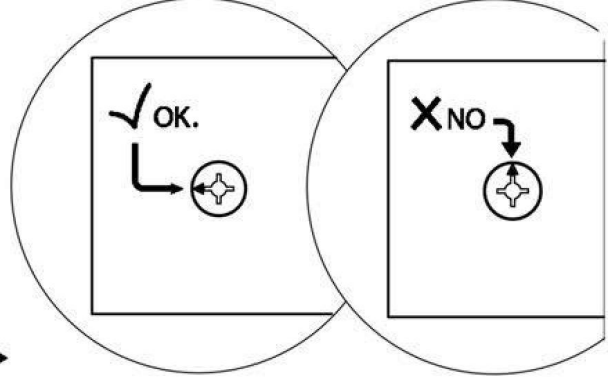
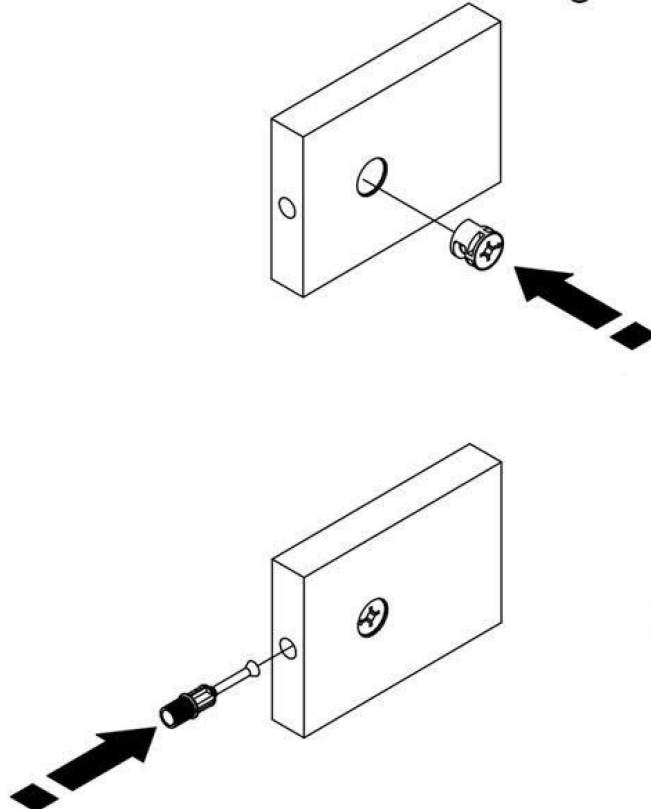


1

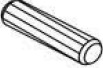



 ∅8x30 mm Ax4	 Bx6	 43 mm Cx6	 ∅3,5x13 mm Ex2
 Kx1			

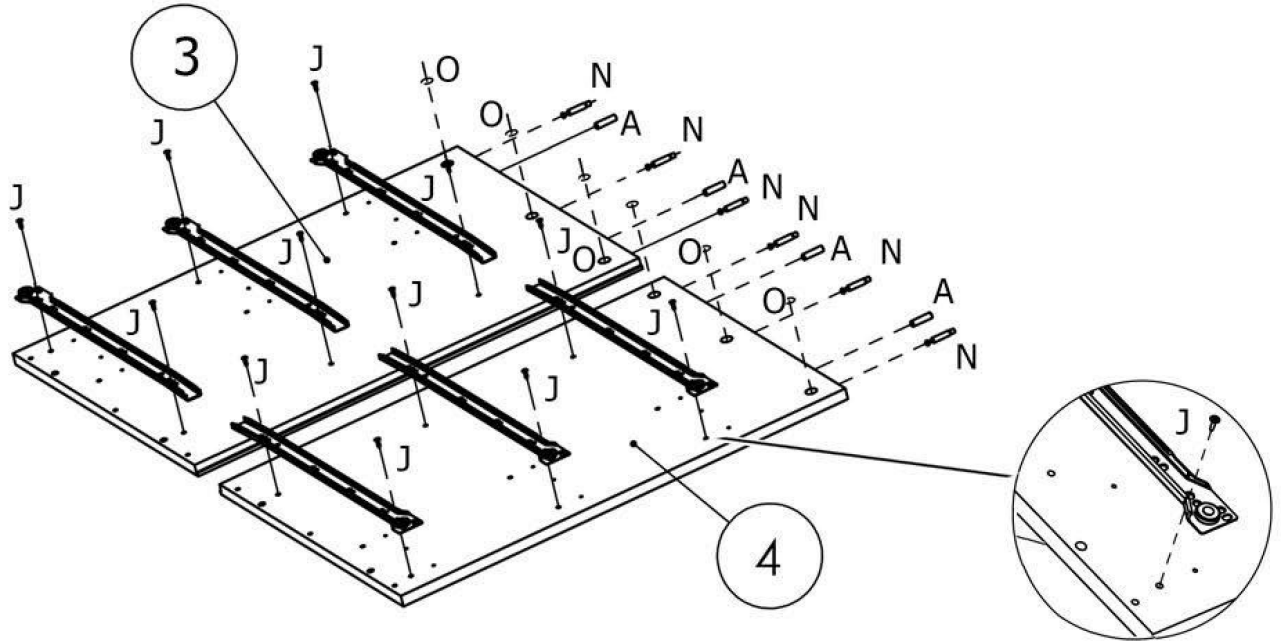


2



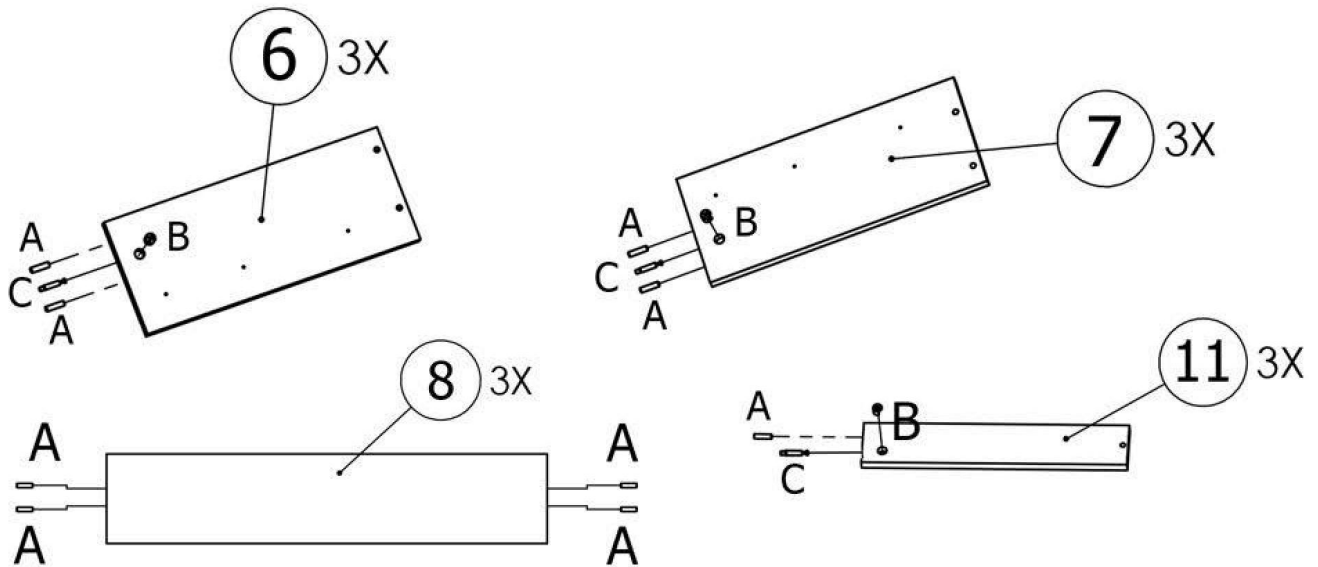
2

 Ø8x30 mm Ax4	 titus Nx6	 titus Ox6	 Ø6x13 mm J x 12
--	---	---	---

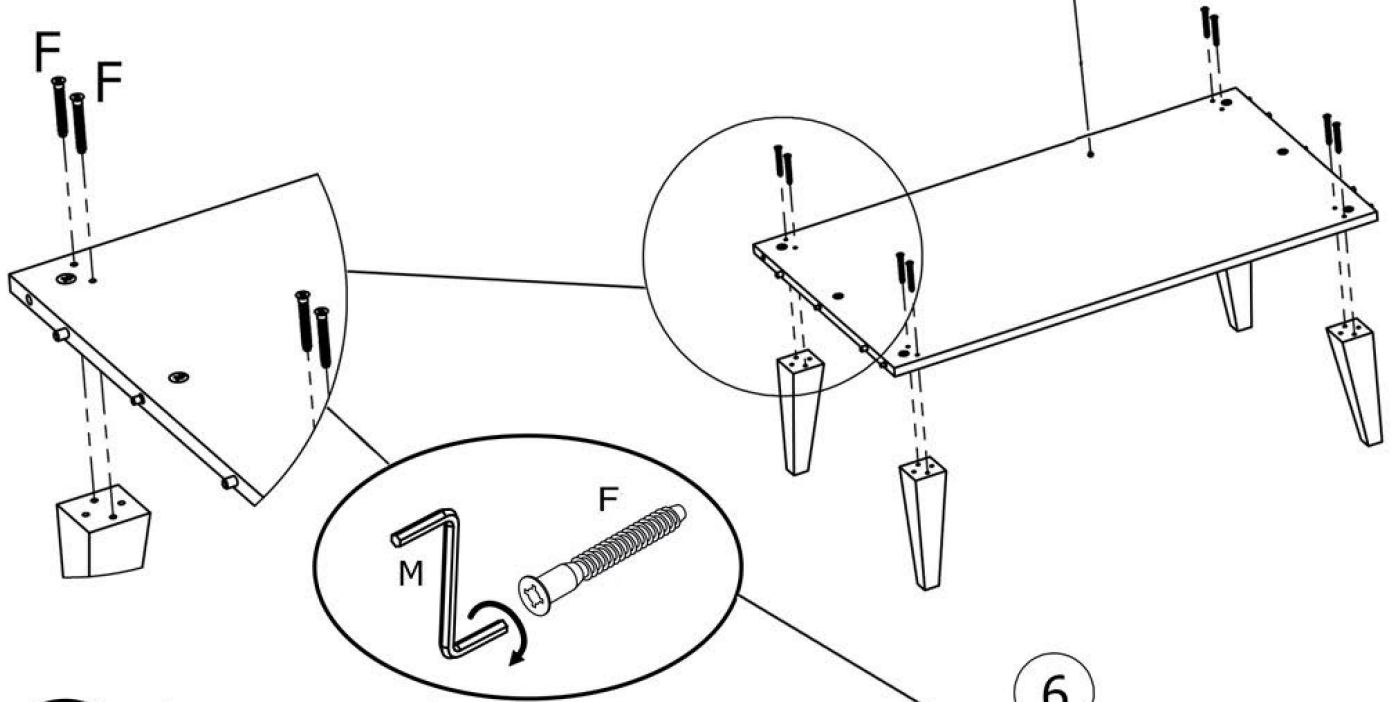
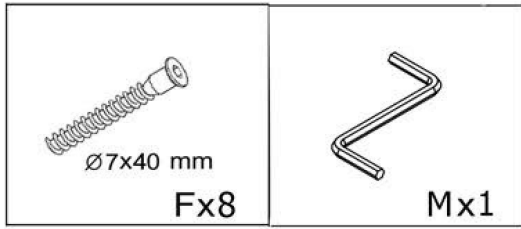


3

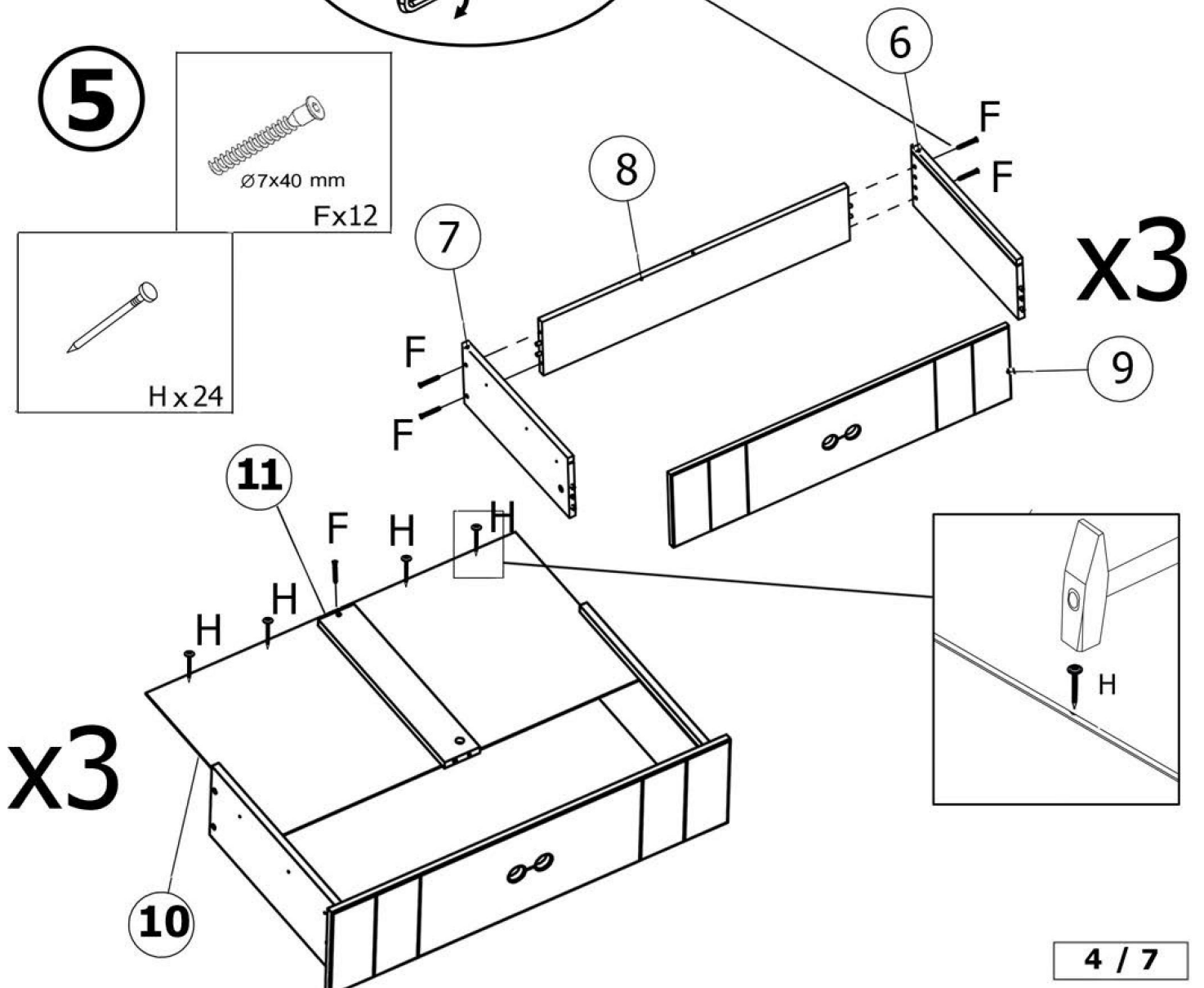
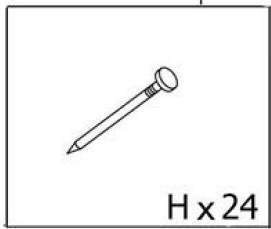
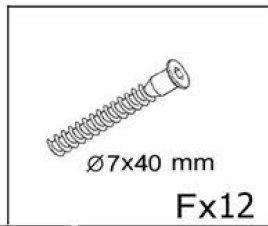
 Ø8x30 mm Ax27	 Bx9	 43 mm Cx9
---	--	---



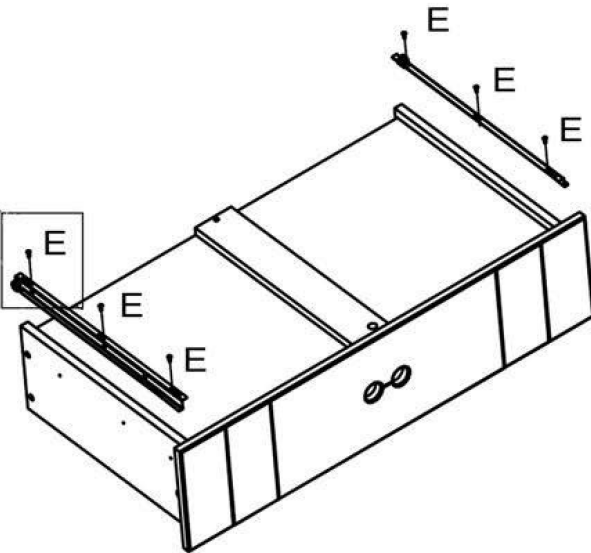
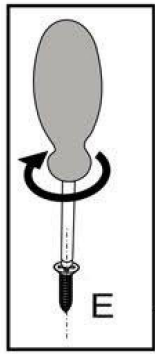
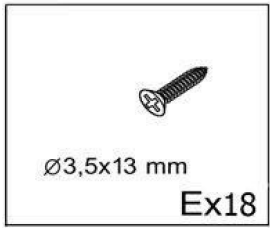
4



5

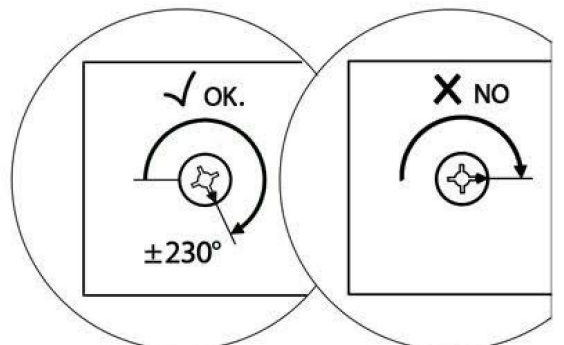
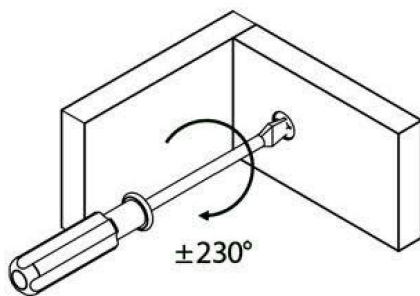
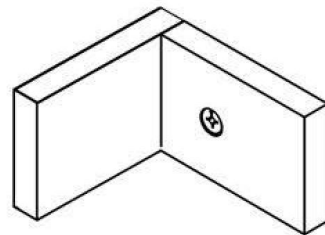
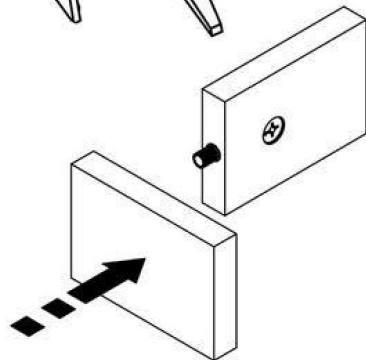
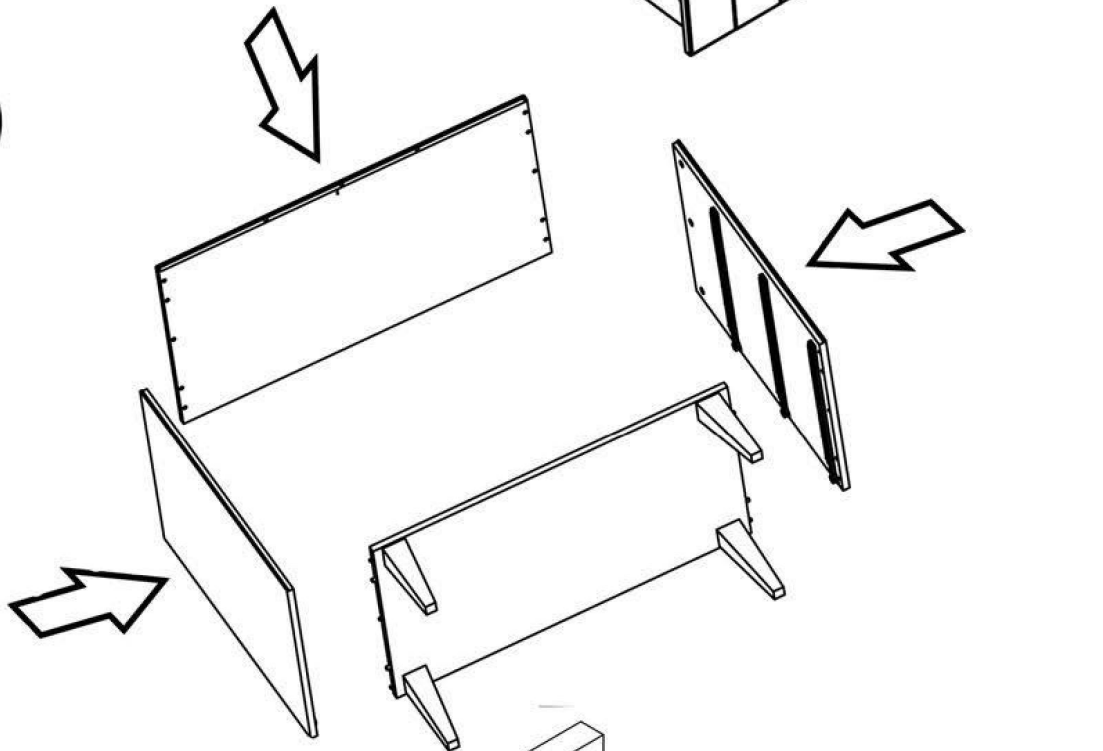


6

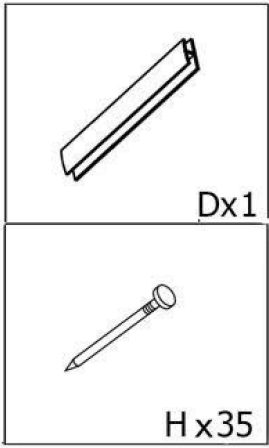


x3

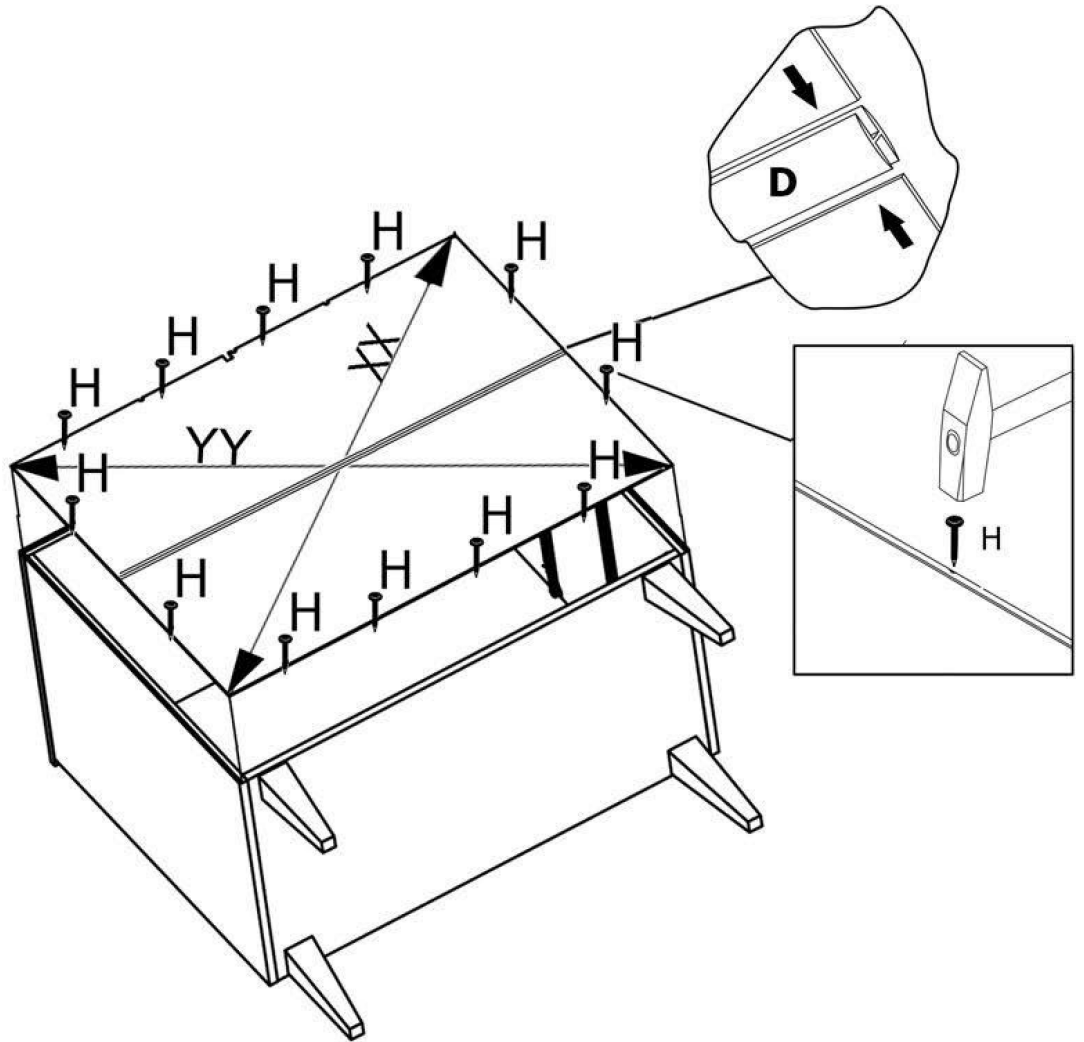
7



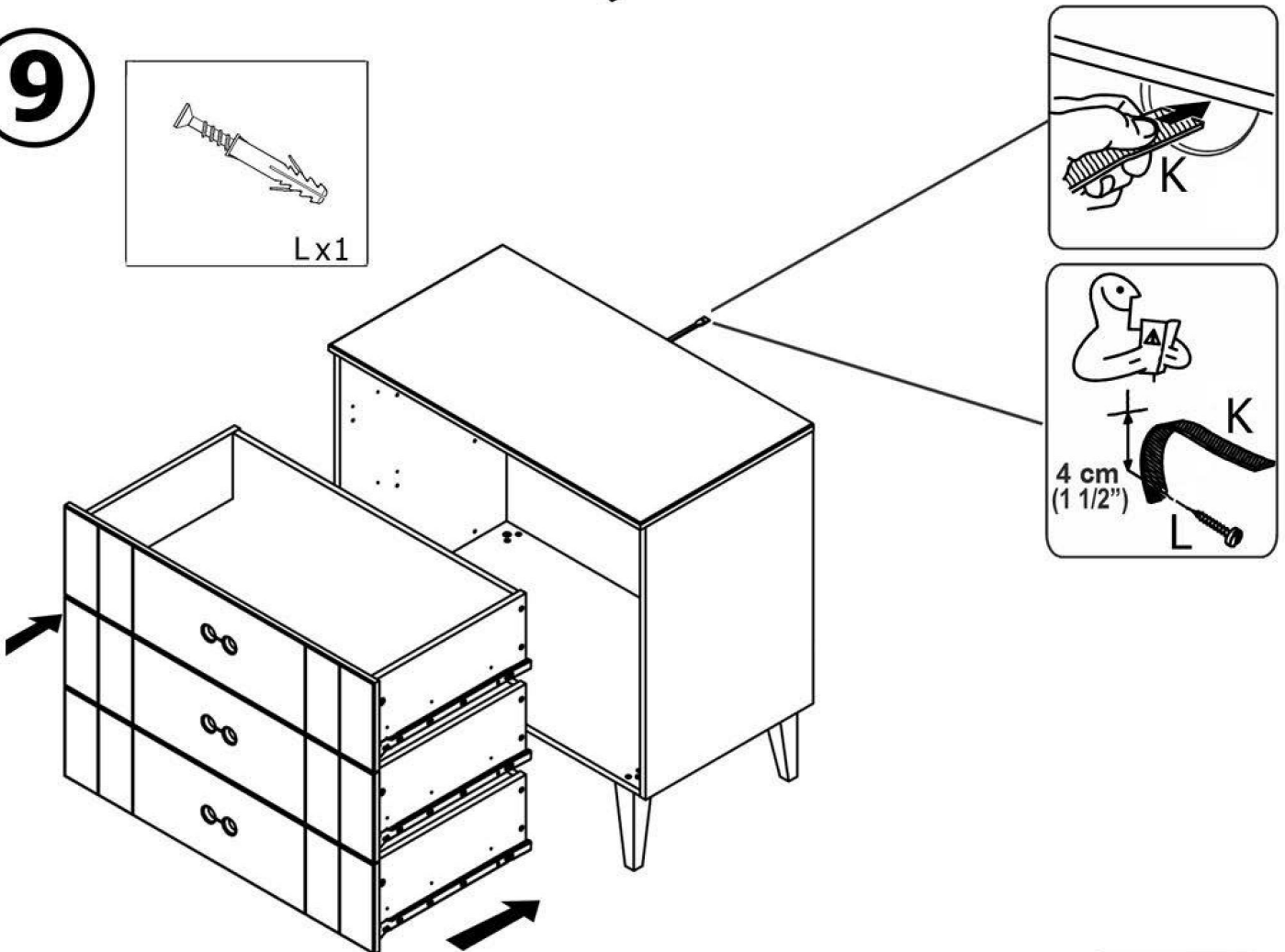
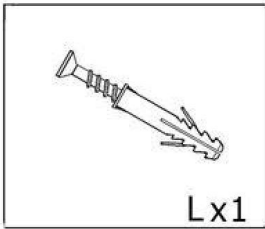
8

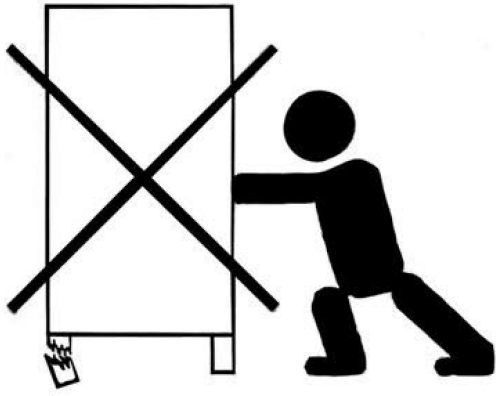


$XX=YY=90^\circ$

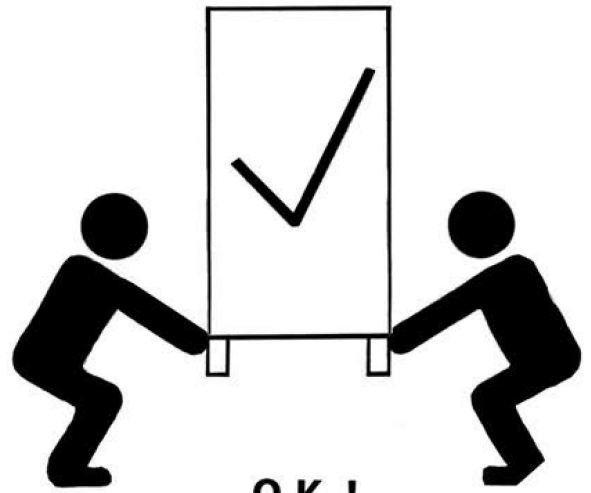


9





N.O. !



O.K. !

