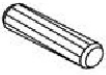









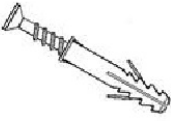
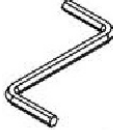


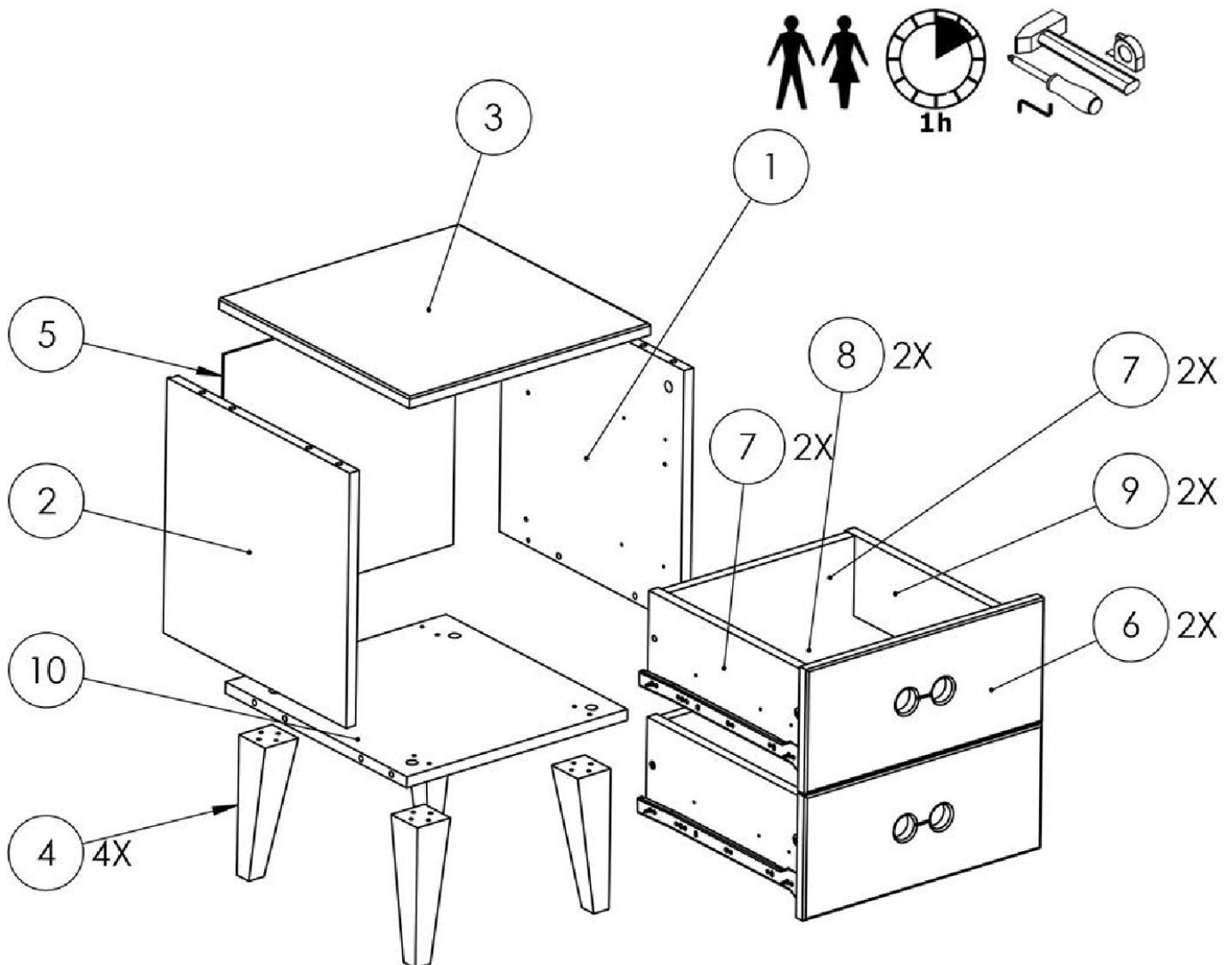



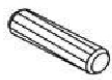


STOLIK NOCNY M10-MIKI

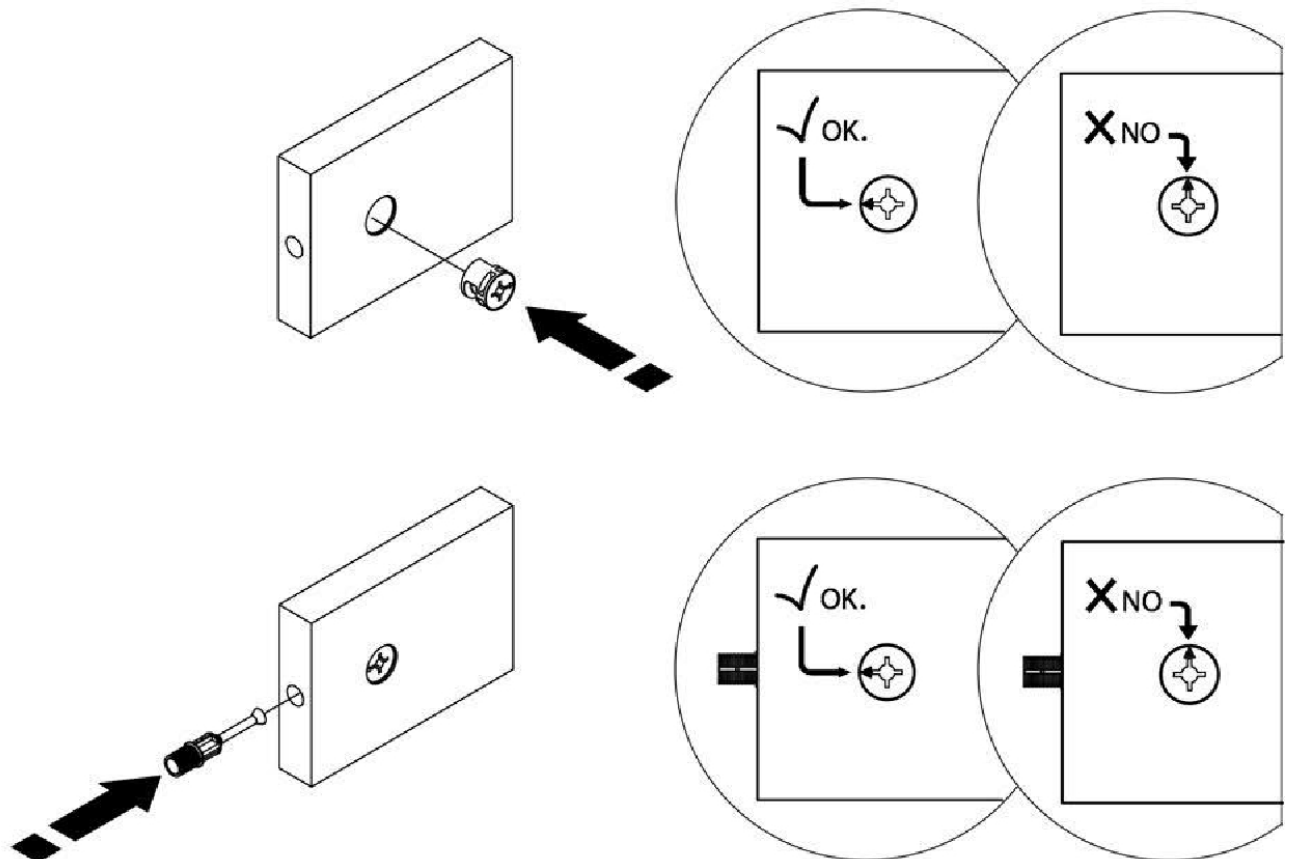
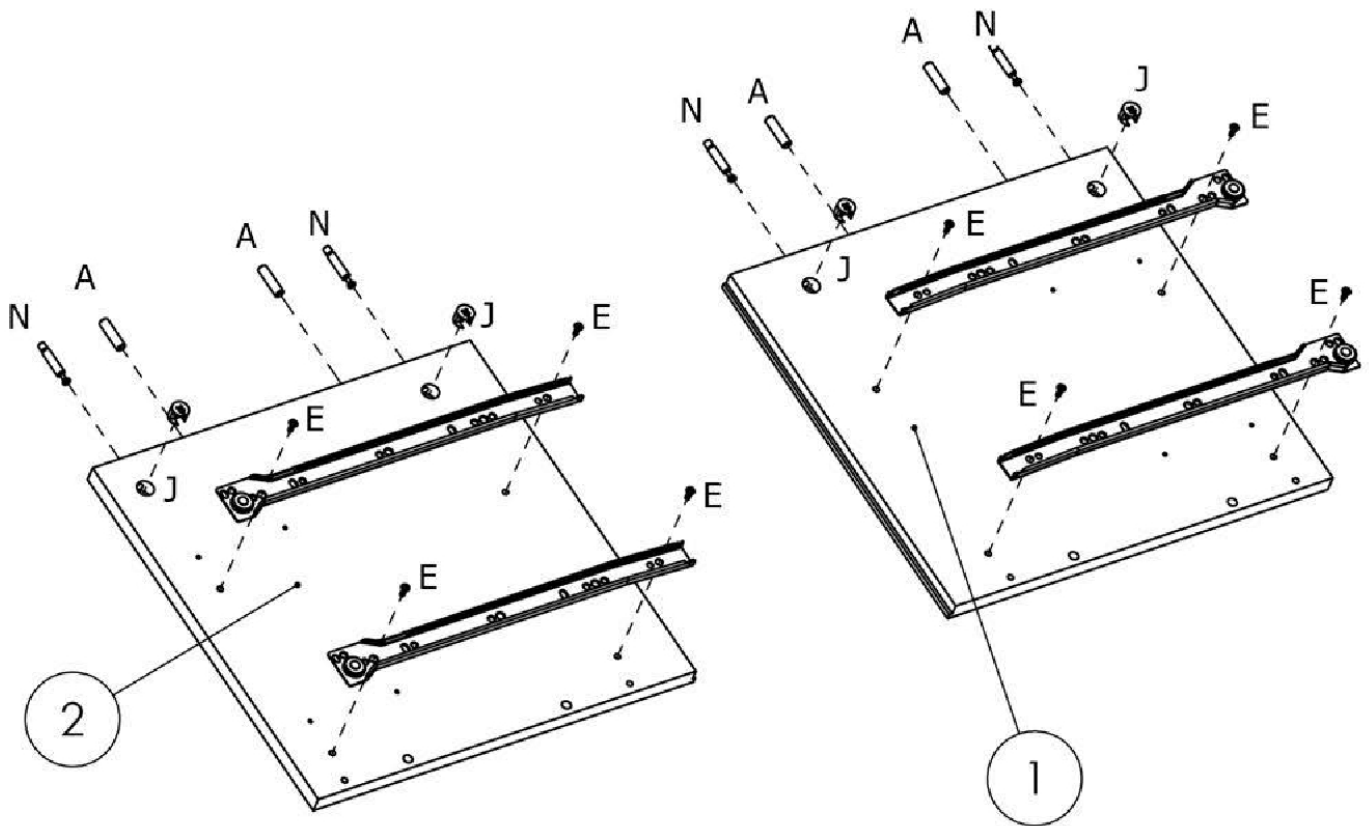
'Montaż na miękkim podłożu!'

 Ø8x30 mm Ax24	 Bx8	 43 mm Cx8	 Ø7x50 mm Dx4	 Ø3,5x13 mm Ex22
 Ø7x40 mm Fx8	 Gx4		 Hx25	 Ix4
 Kx1	 Lx1	 Mx1	 titus Nx4	 titus Ox4

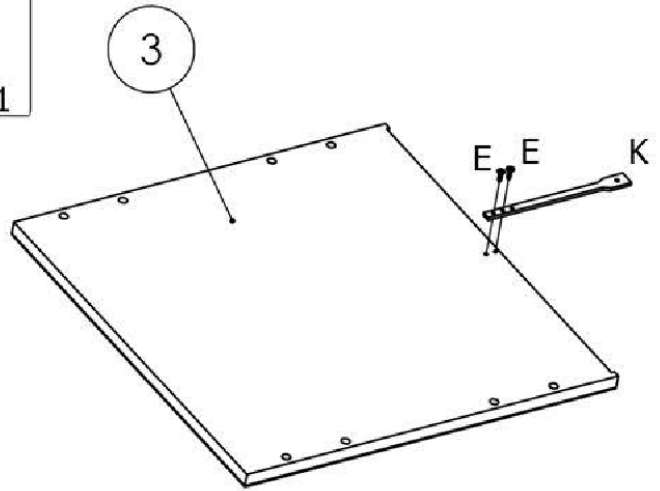
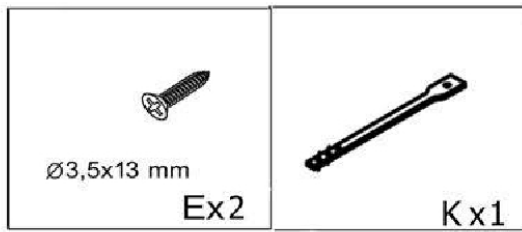


1

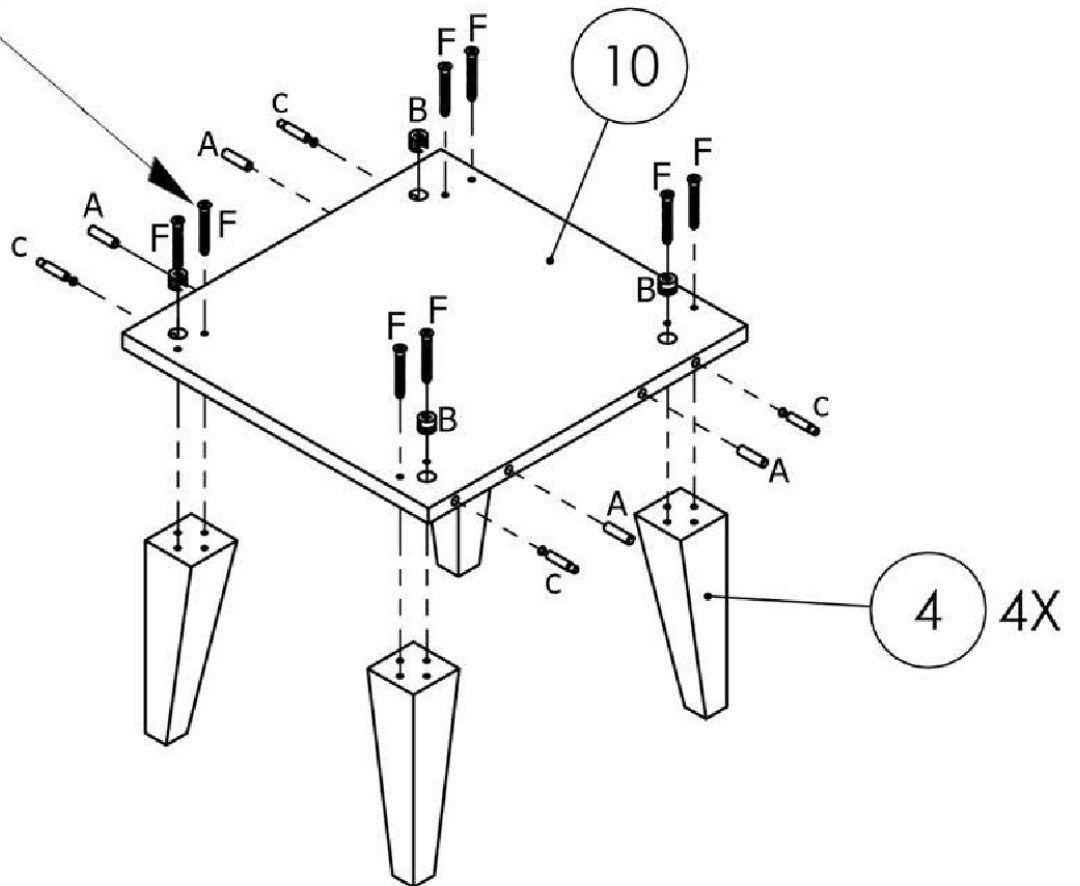
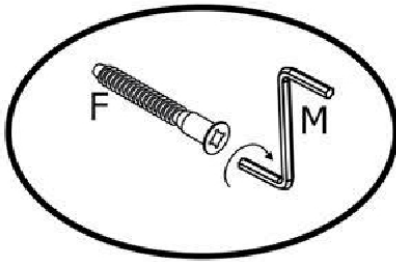
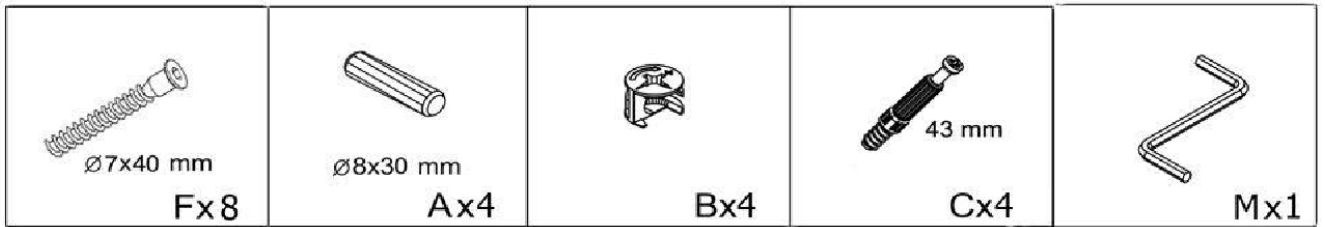
 Ø3,5x13 mm Ex 8	 Ø8x30 mm Ax 4	 titus J x 4	 titus Nx 4
---	--	---	--



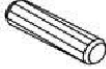


2

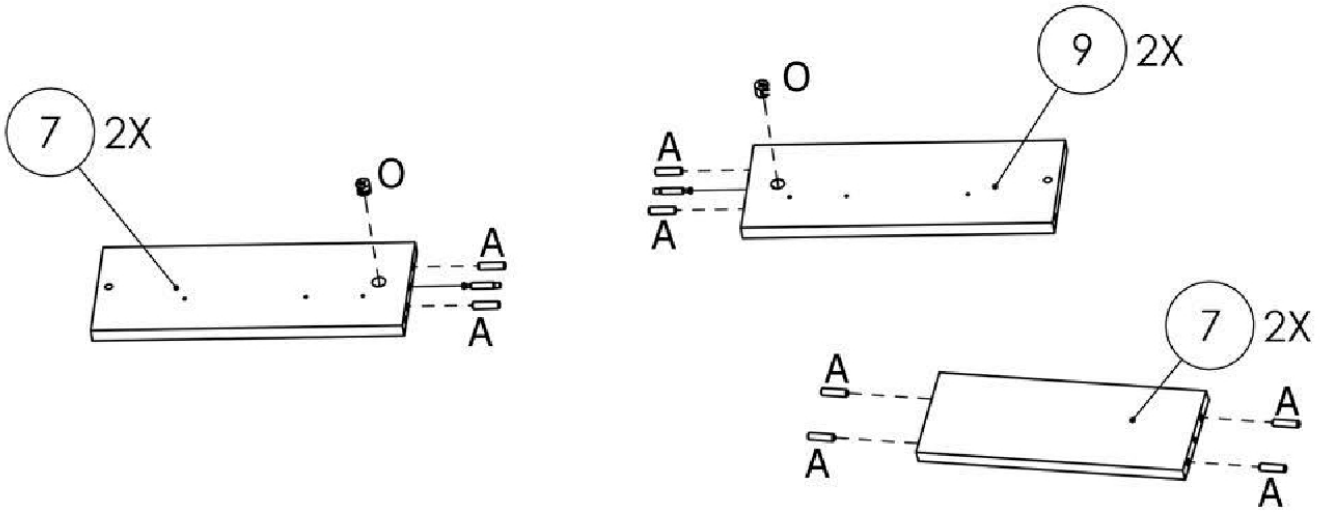


3




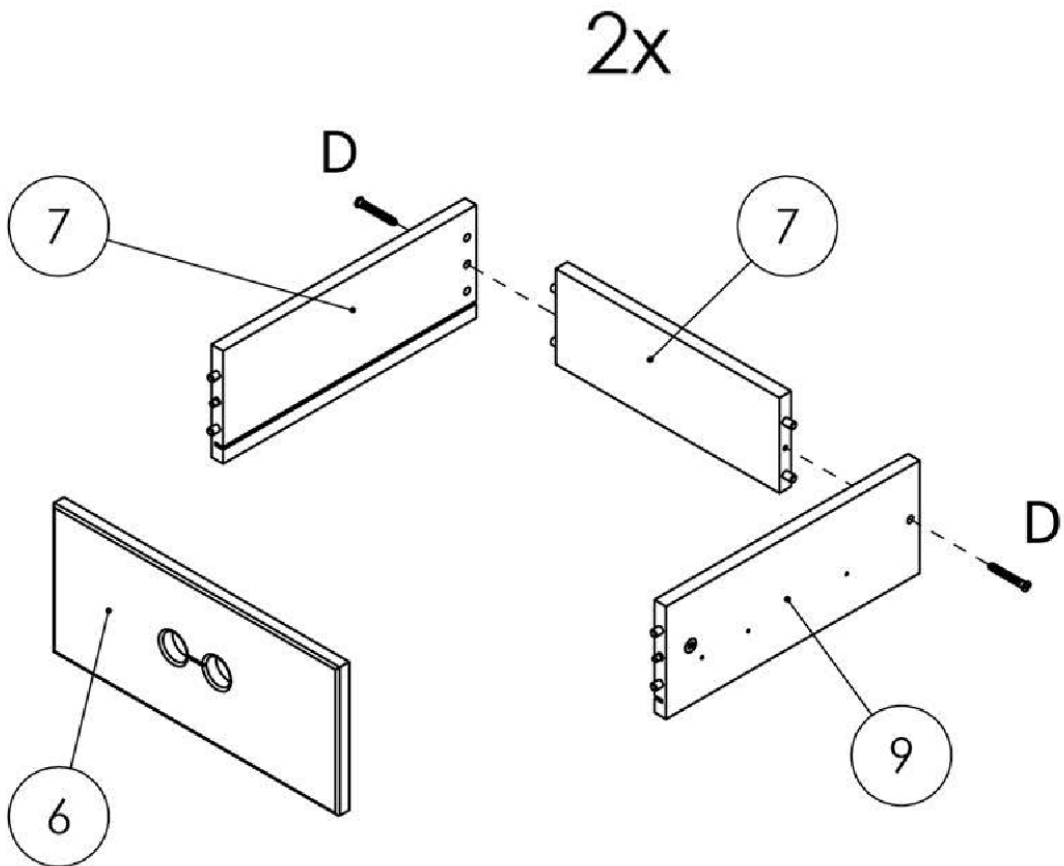
4

 Ø8x30 mm Ax16	 titus Nx4	 titus Ox4
---	---	---

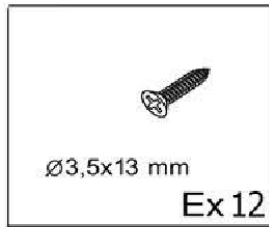


5

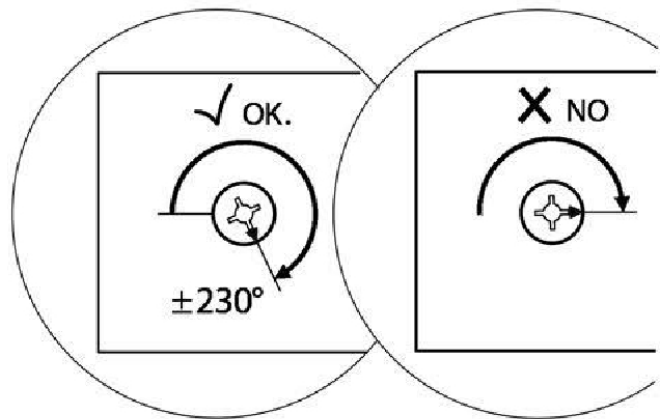
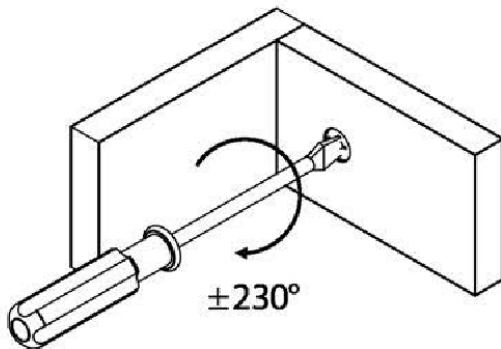
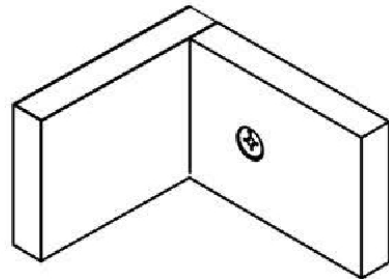
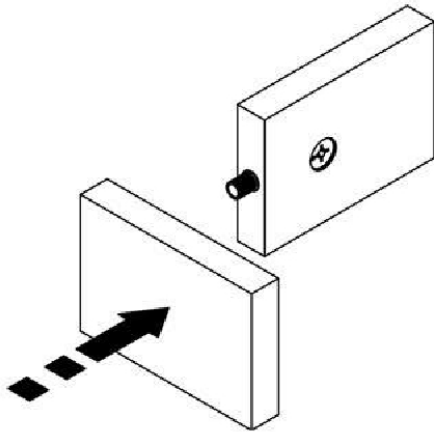
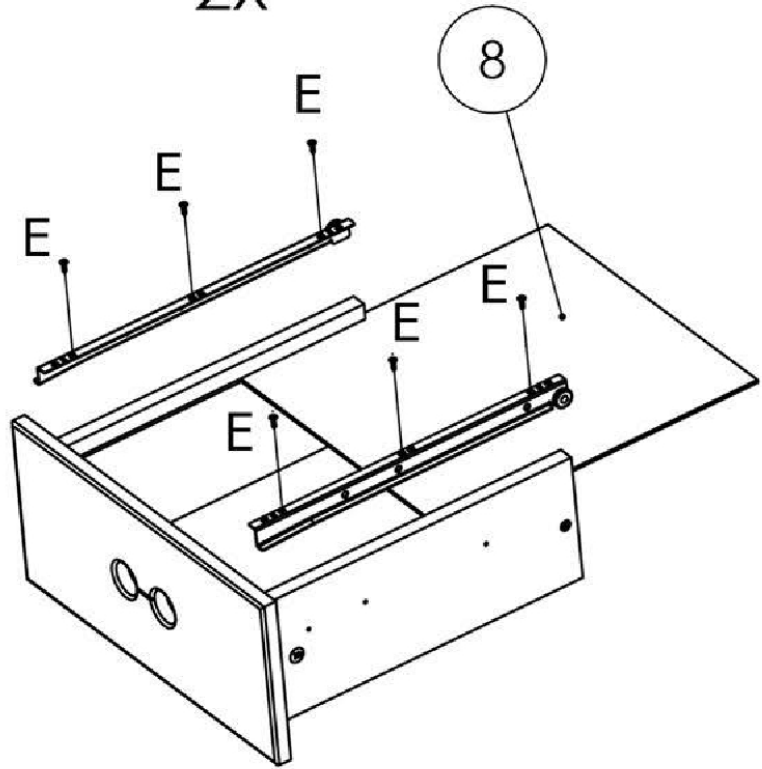
 Ø7x50 mm Dx4



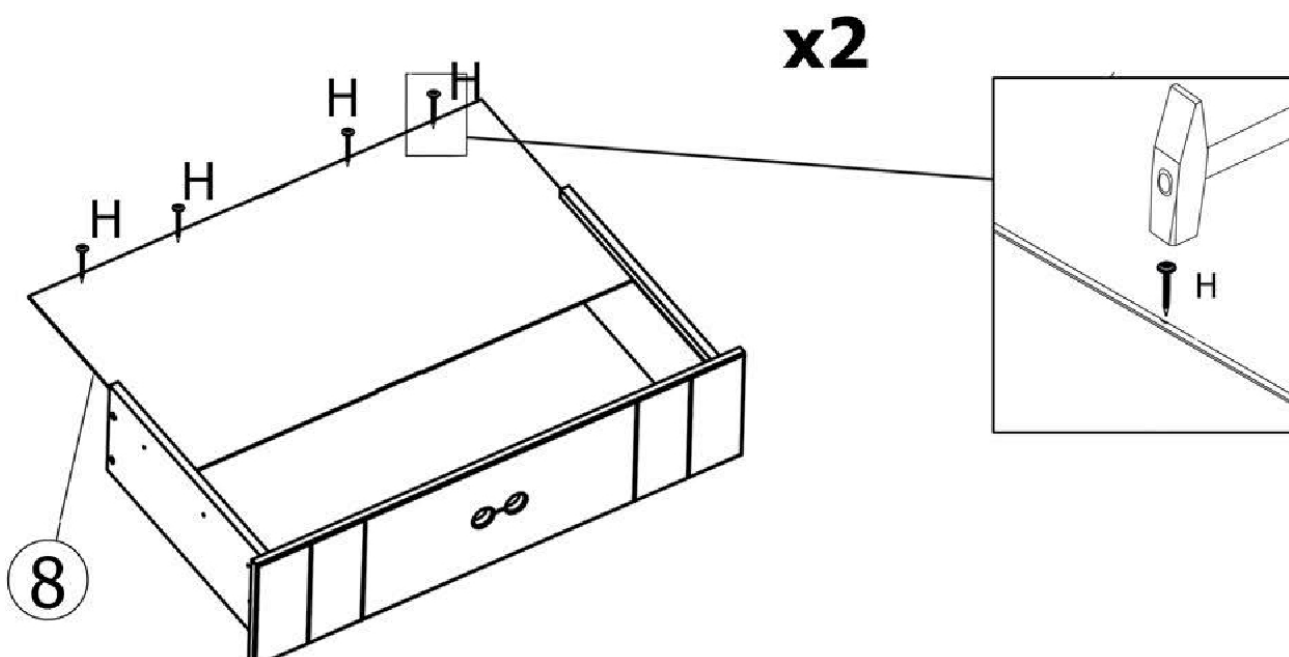
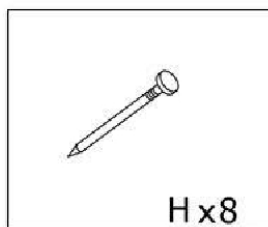
6



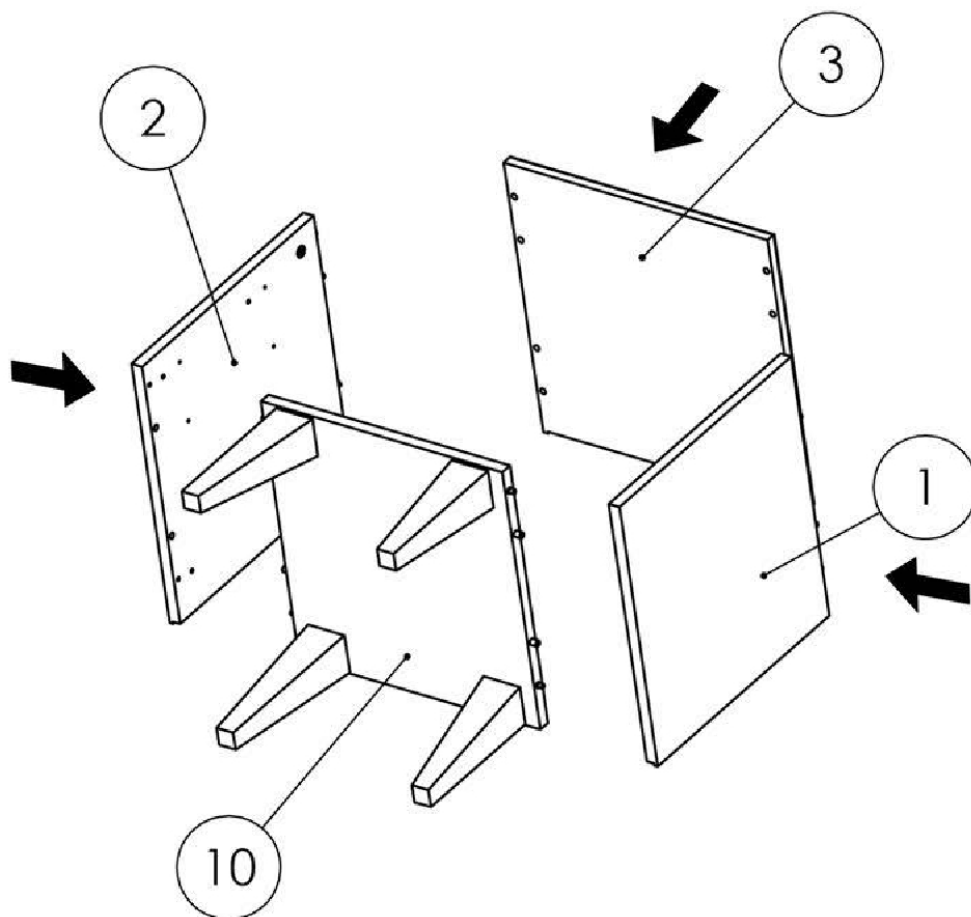
2x



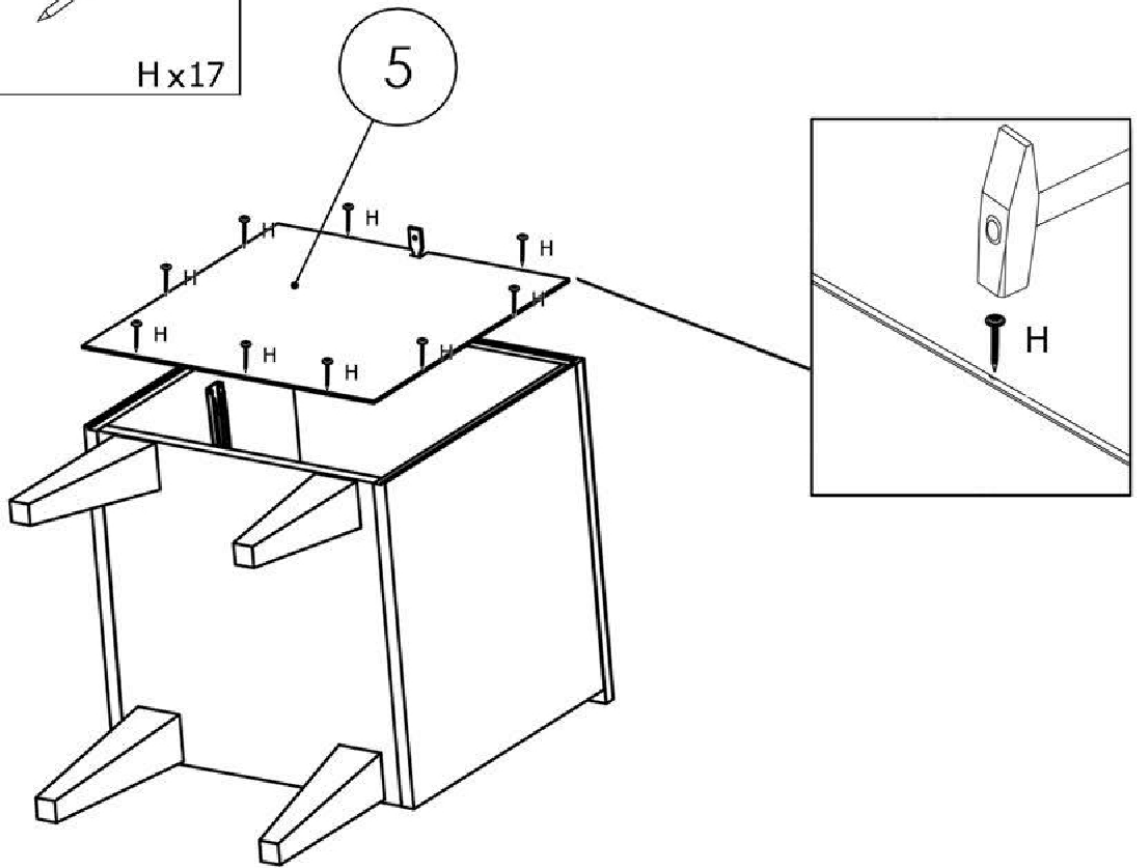
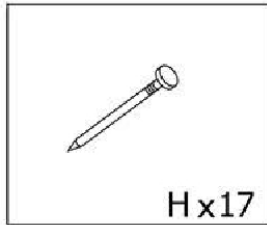
7



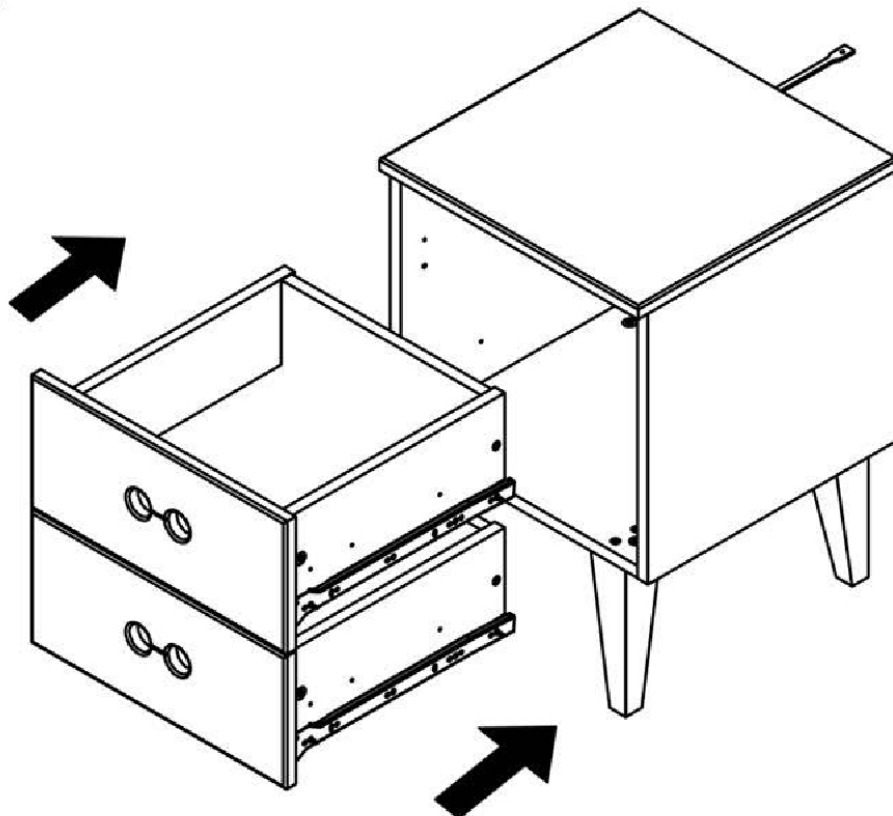
8



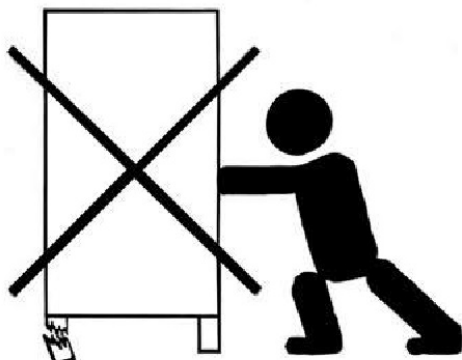
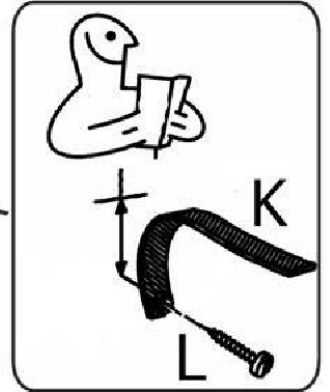
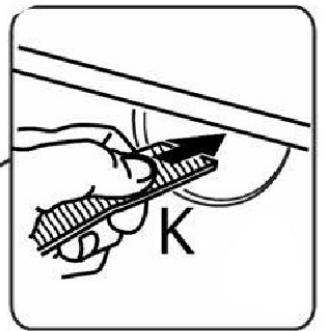
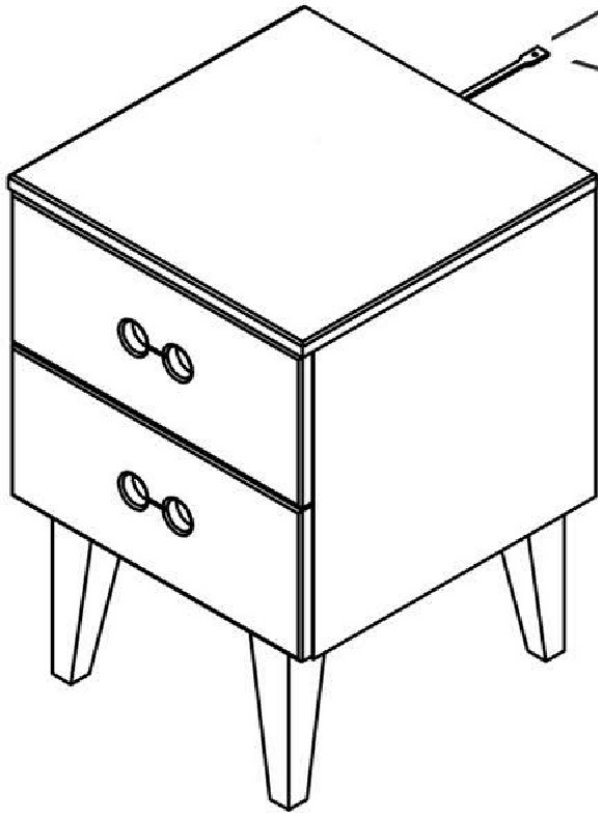
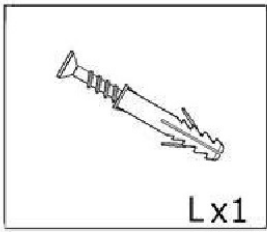
9



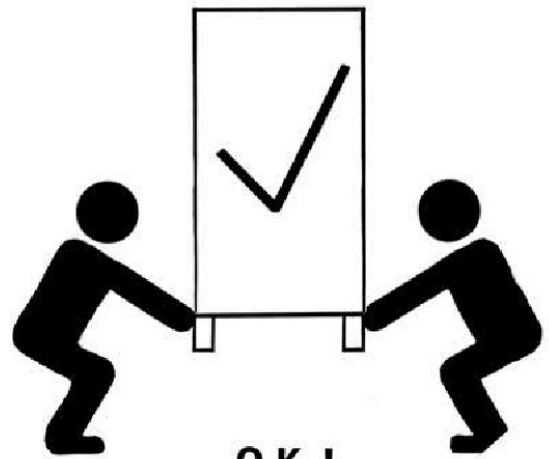
10



11



N.O. !



O.K. !

