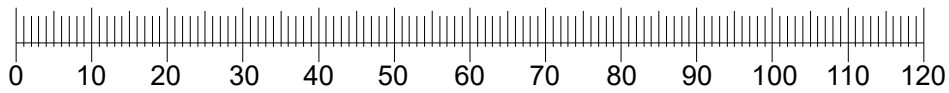
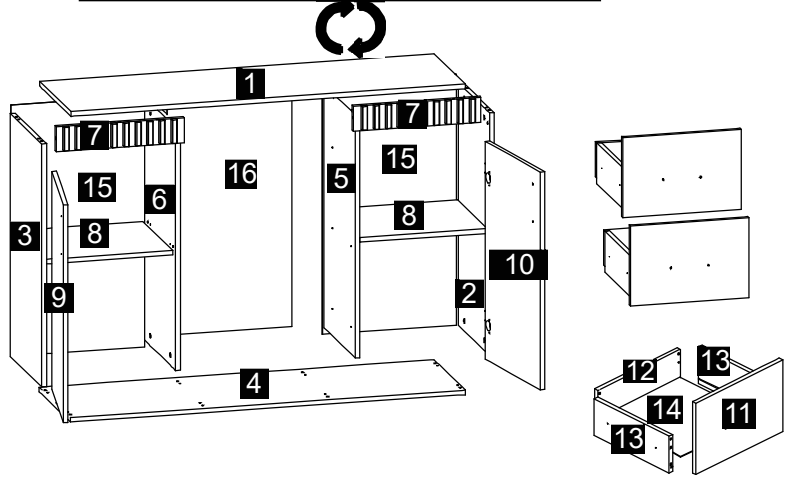
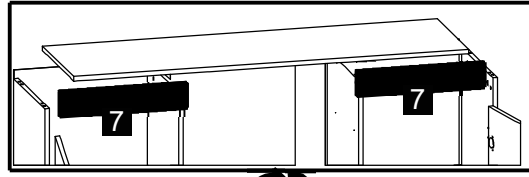
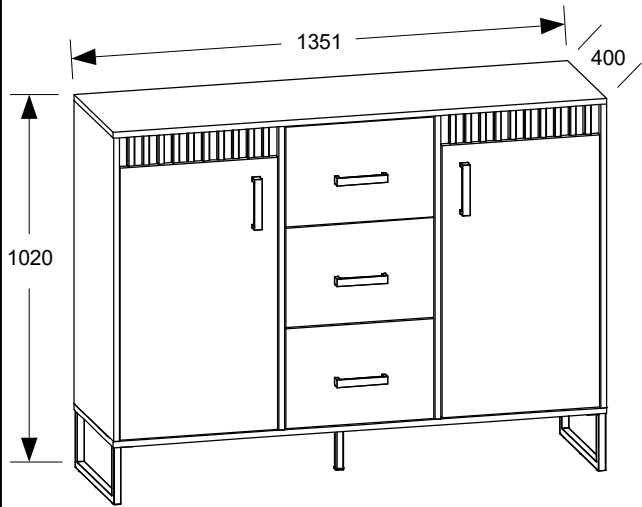
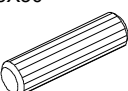

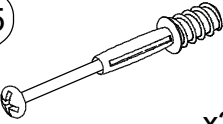
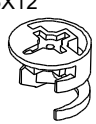
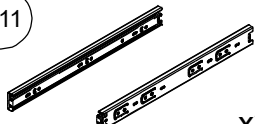
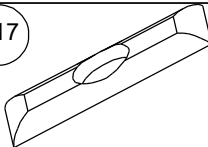

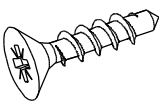
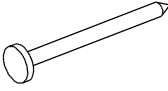
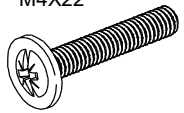
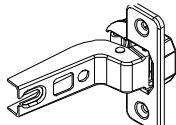
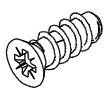
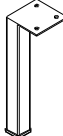
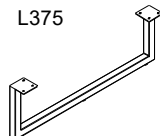
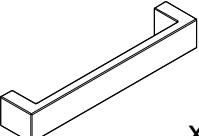


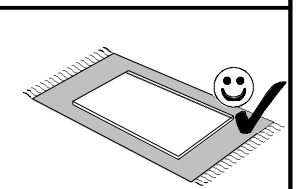
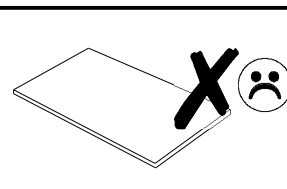
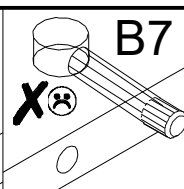
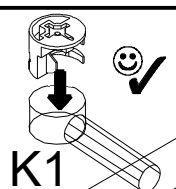
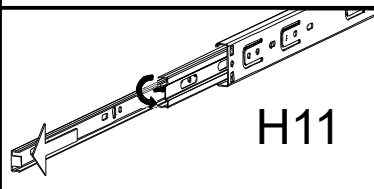
05




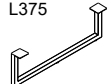
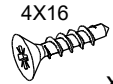

Komoda 2d3szf

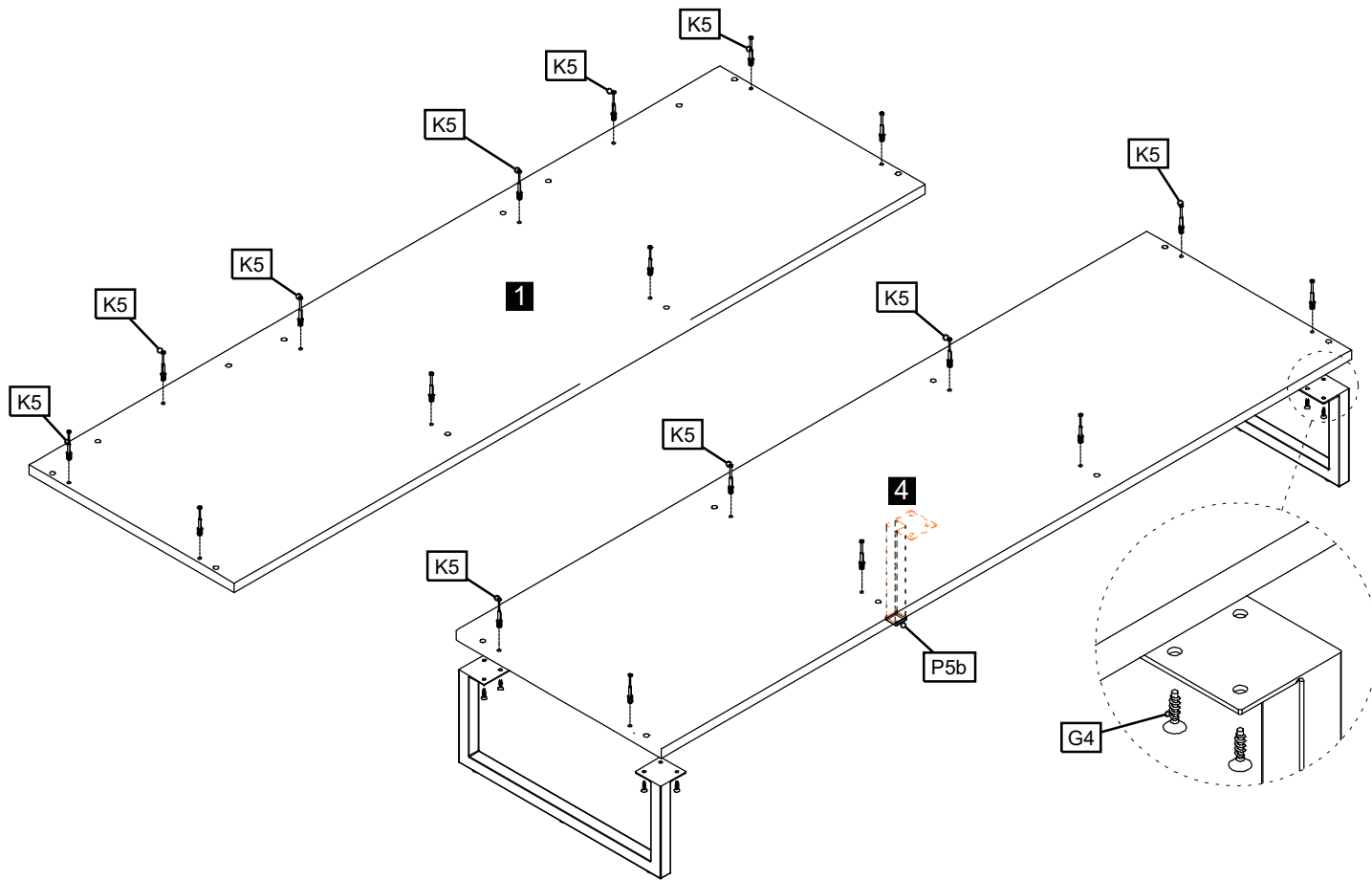


B7 Ø8X30  x56	K1z  x38	K5  x38	K1 Ø15X12  x38	H11  x3
S17  x10	D1  x4	G4 4X16  x23	W4  x61	N14 M4X22  x10
C2  x4	G20 5X13  x24	P5b  x1	P5 L375  x2	E3  x5

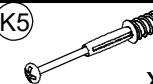
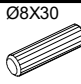




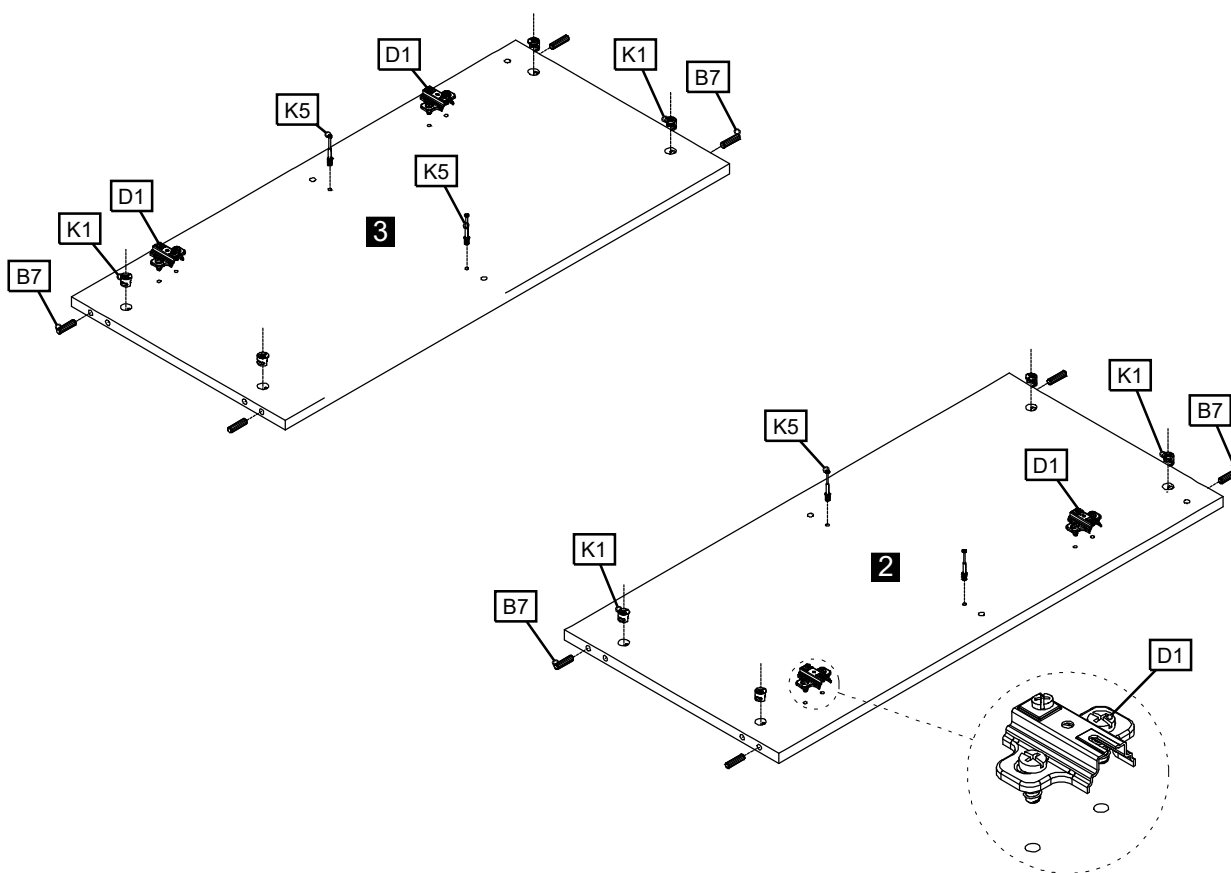
01

- (K5)  x18
- (P5) L375  x2
- (G4) 4X16  x15
- (P5b) 



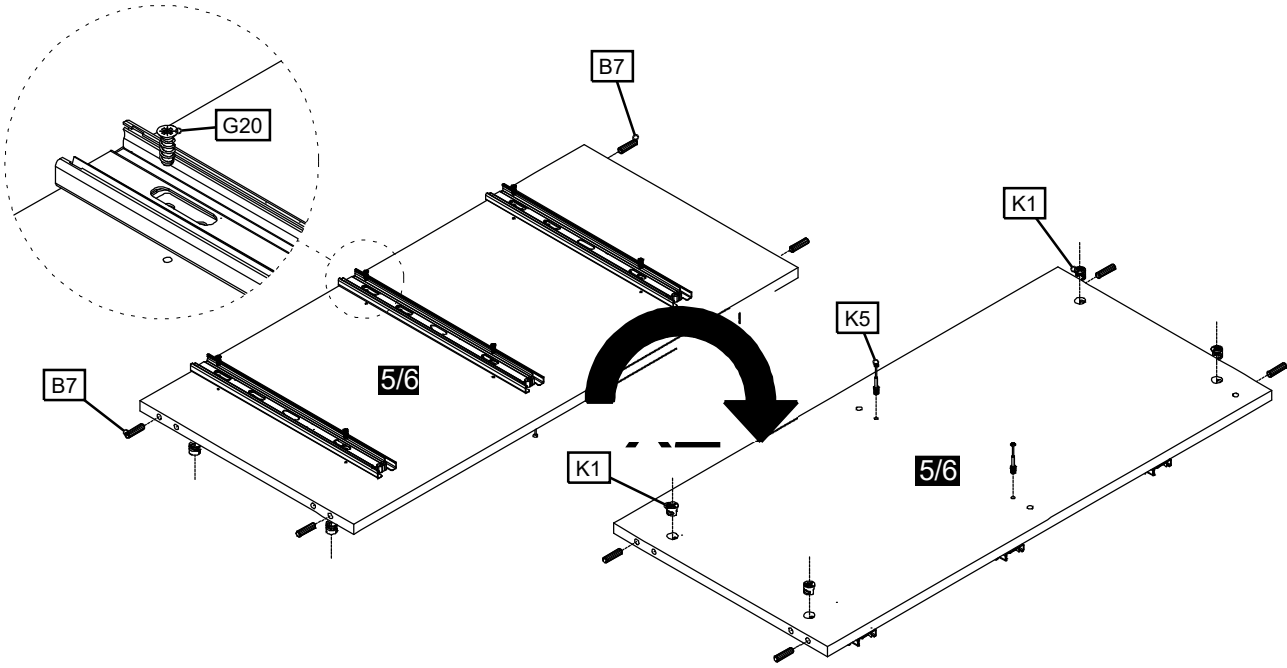
02

- (K5)  x4
- (B7) $\varnothing 8 \times 30$  x8
- (K1) $\varnothing 15 \times 12$  x8
- (D1)  x4



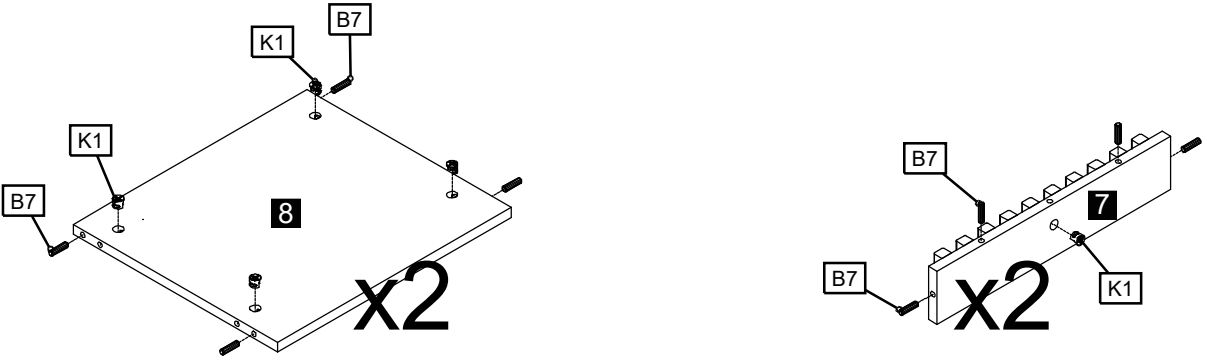
03

- K5 x4
- B7 Ø8X30 x8
- K1 Ø15X12 x8
- H11 x6
- G20 5X13 x12



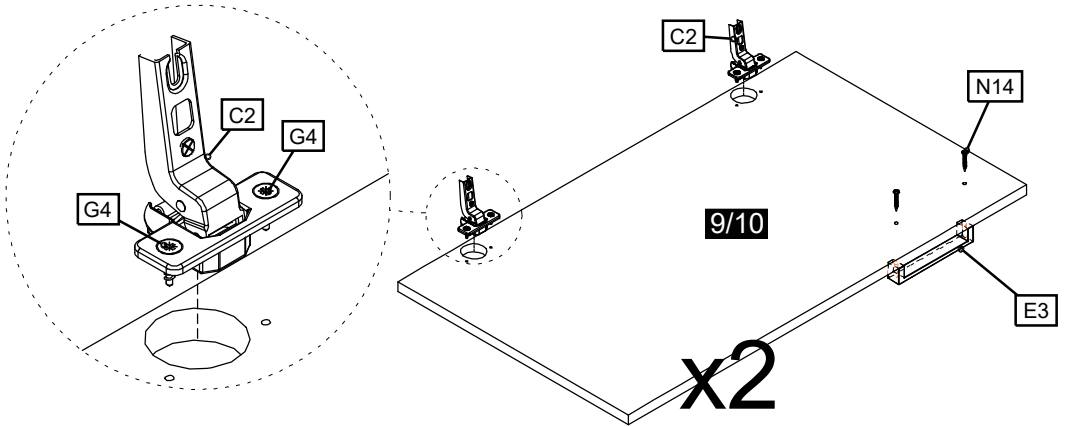
04

- B7 Ø8X30 x16
- K1 Ø15X12 x10



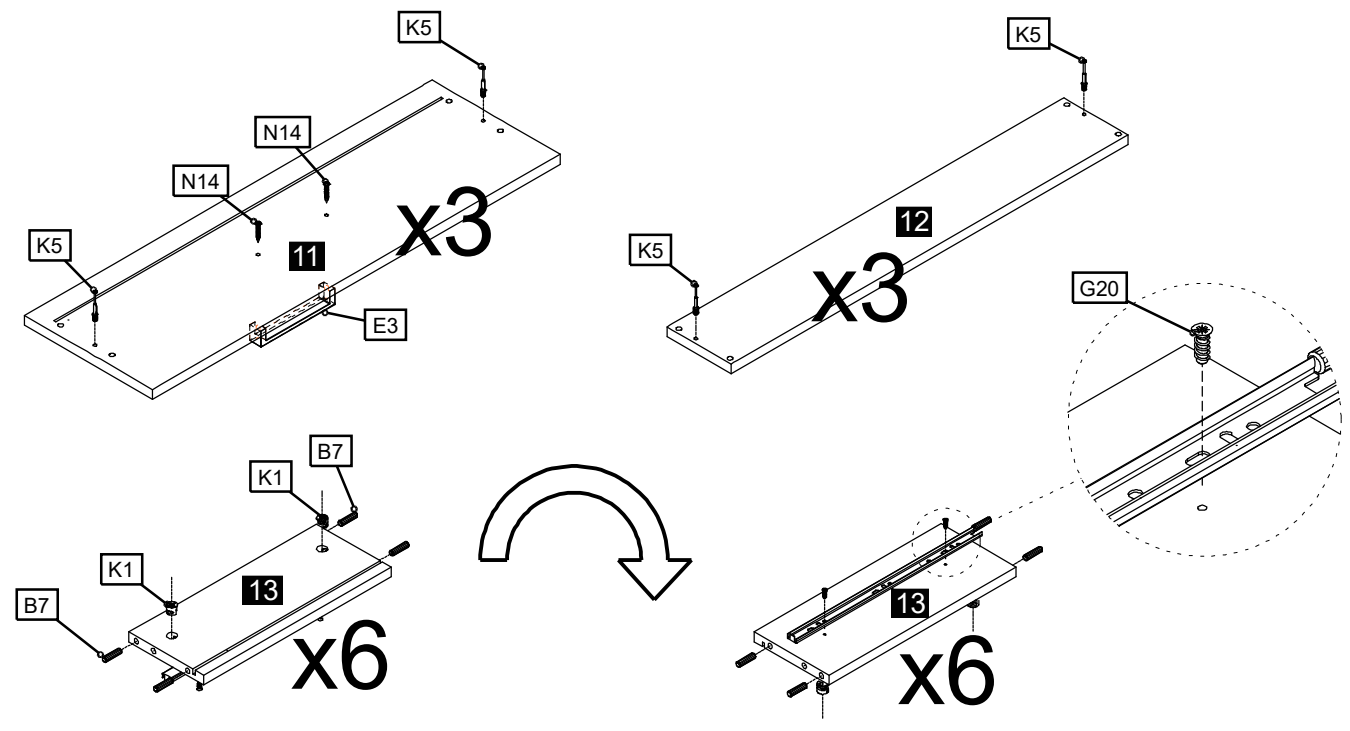
05

- E3 x2
- N14 M4X22 x4
- C2 x4
- G4 4X16 x8



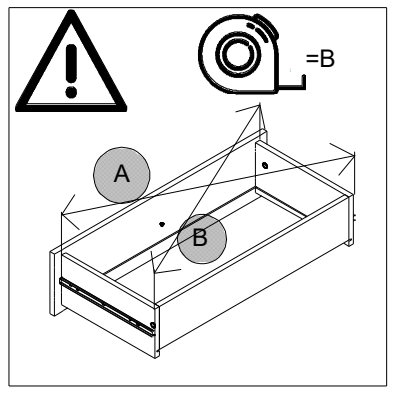
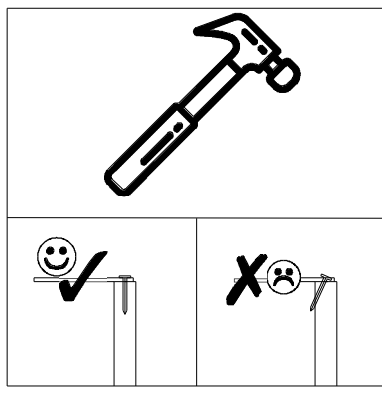
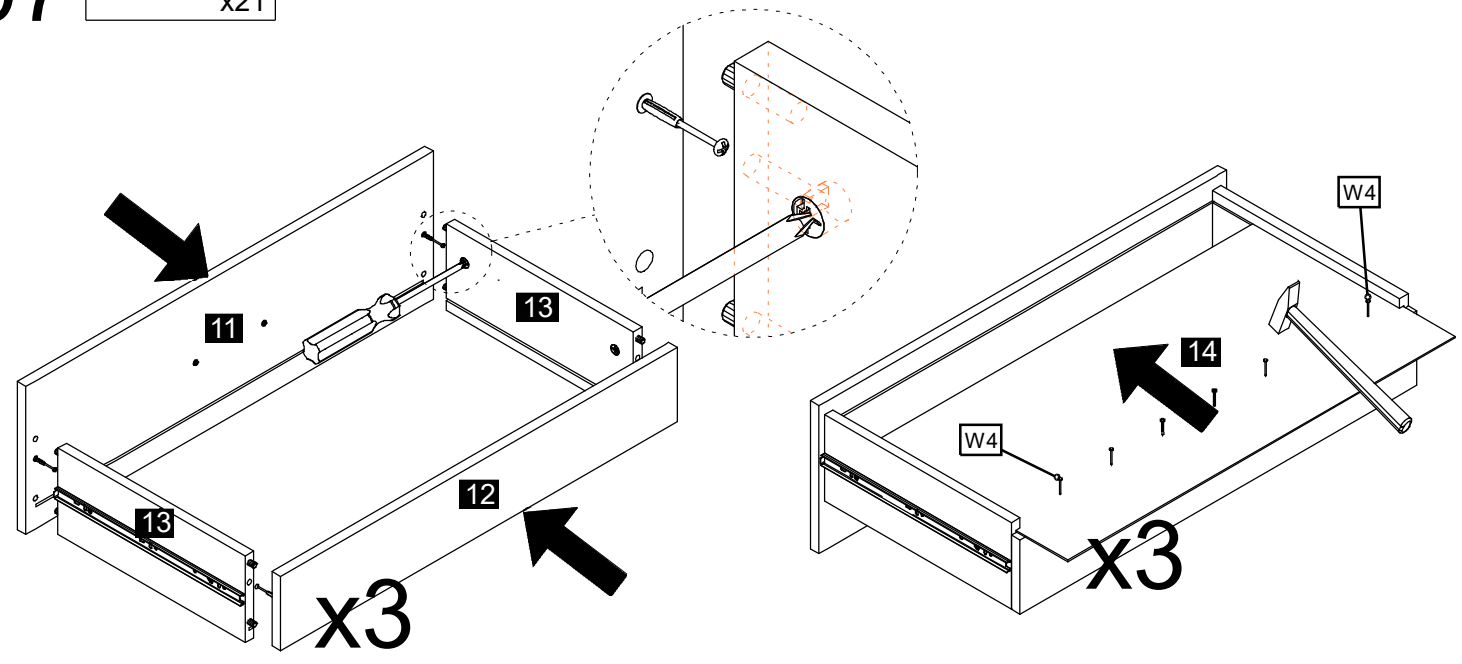
06

- N14 M4X22 x6
- K5 x12
- K1 Ø15X12 x12
- B7 Ø8X30 x24
- G20 5X13 x12
- H11 x3
- E3 x3

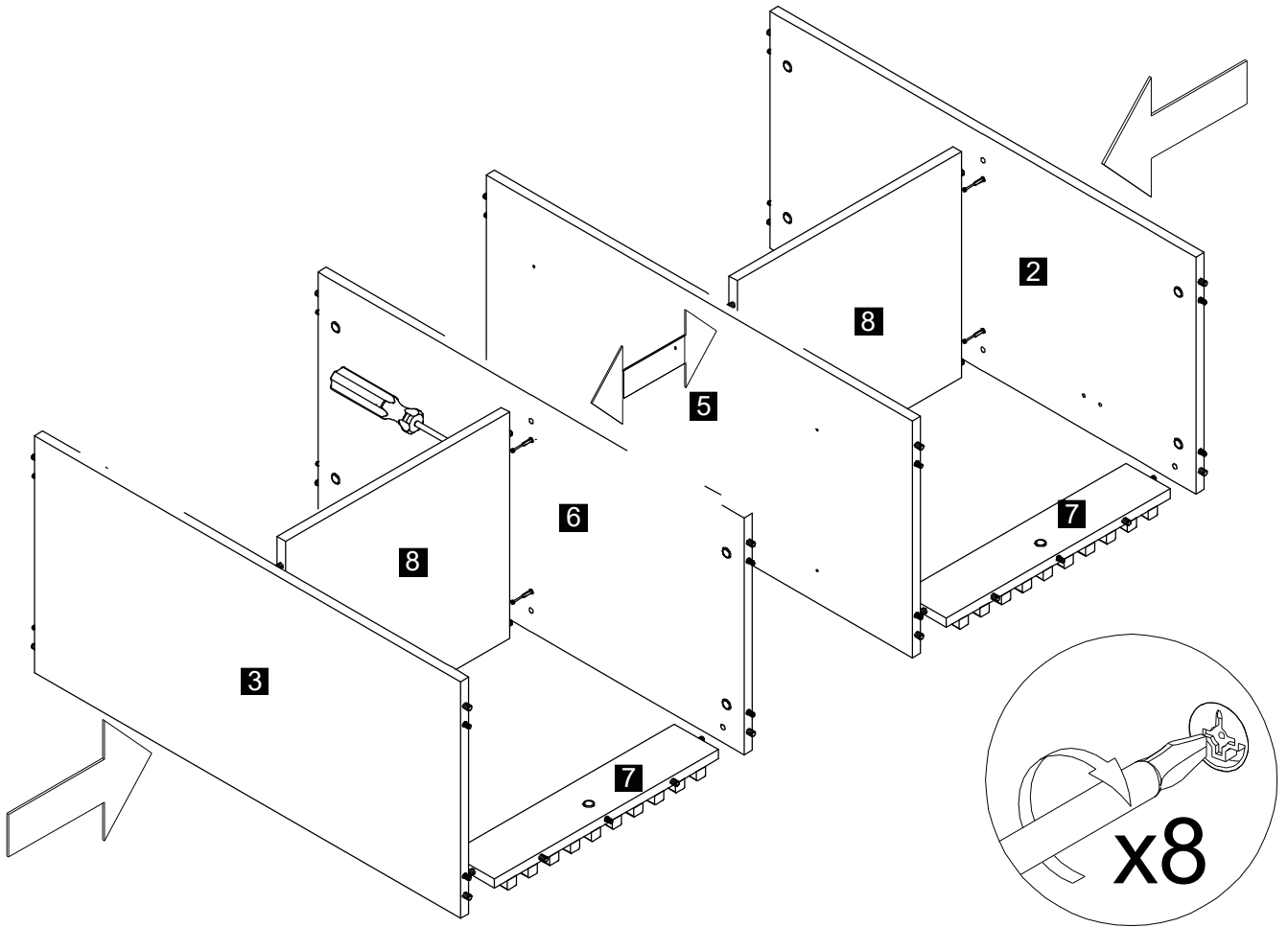


07

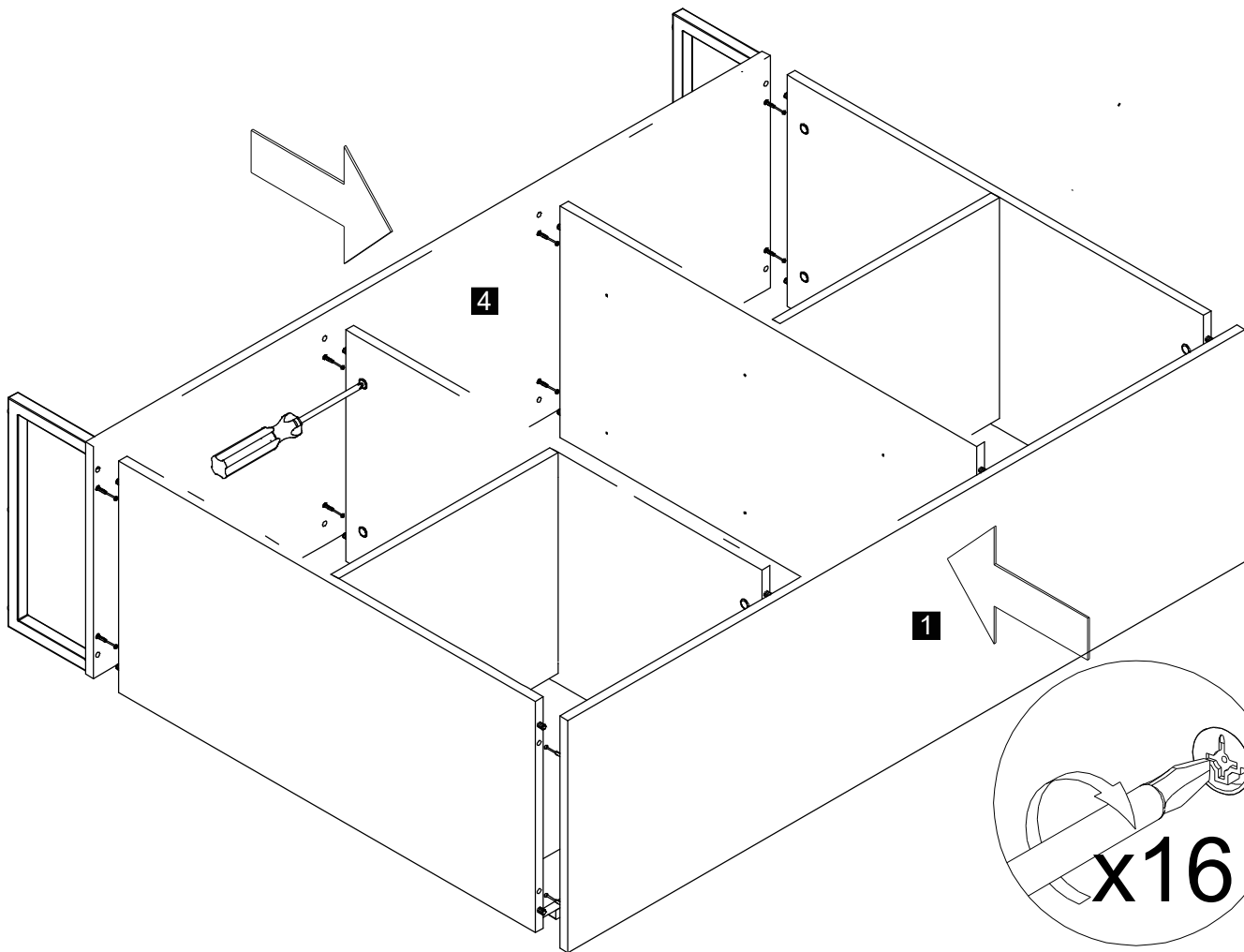
- W4 x21



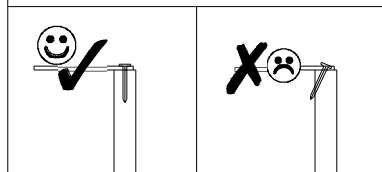
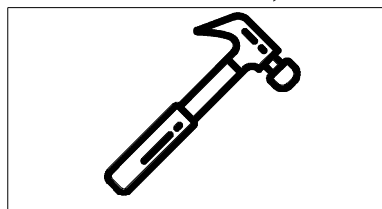
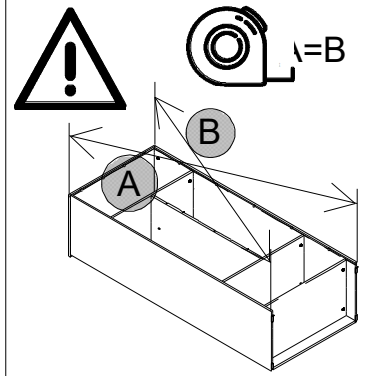
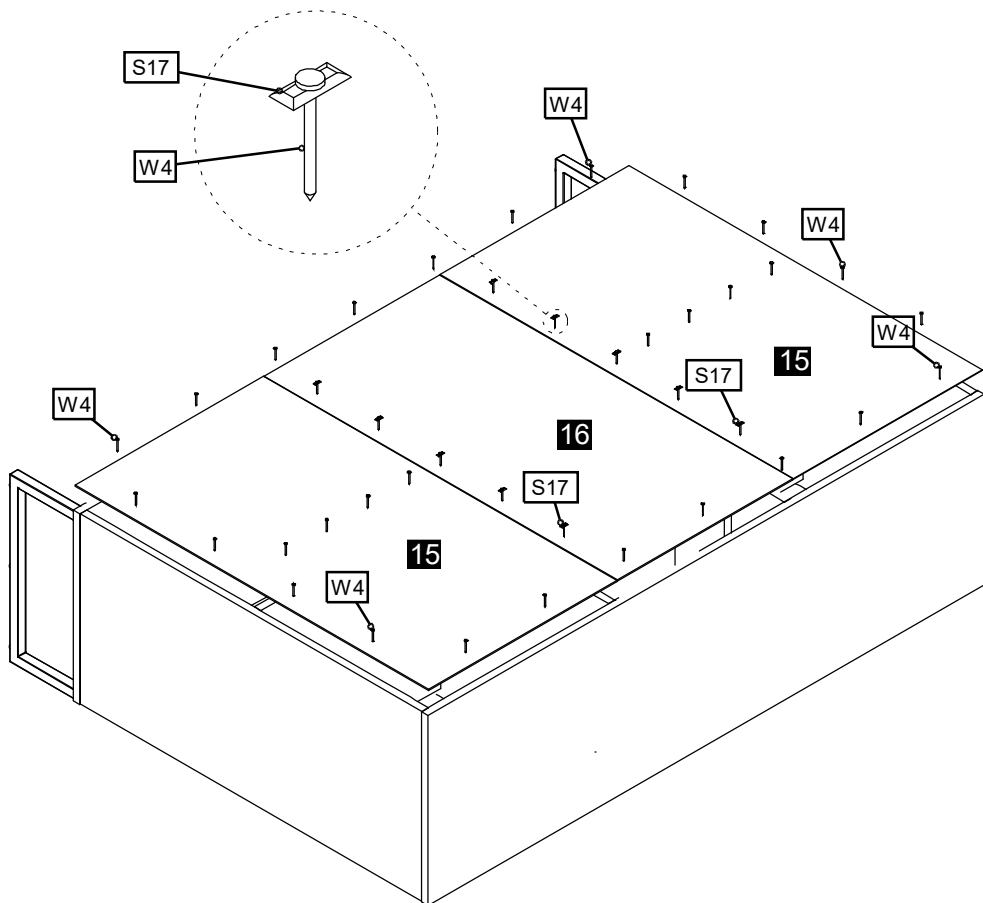
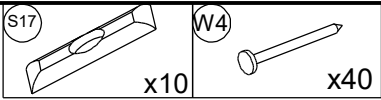
08



09



10



11

