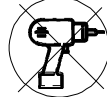
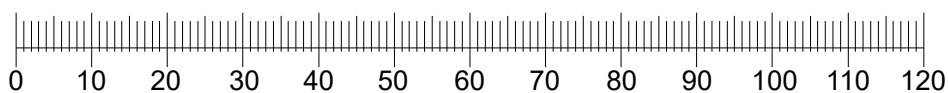
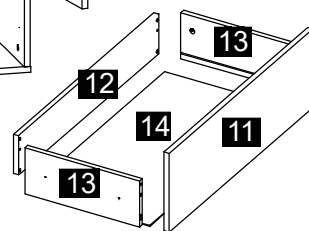
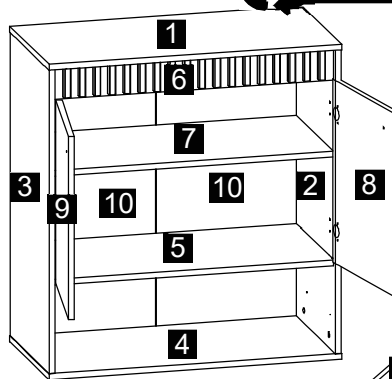
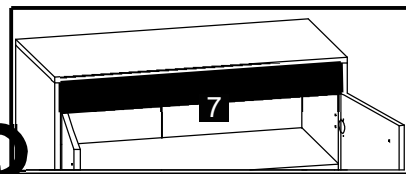
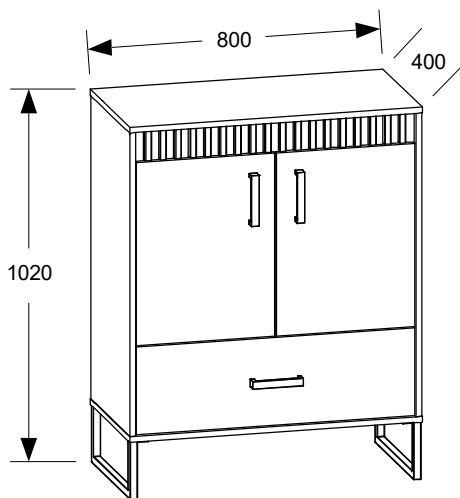
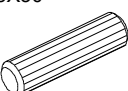
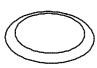
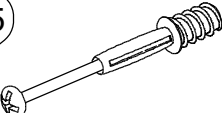
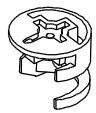
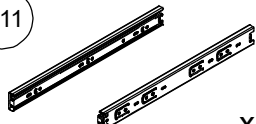


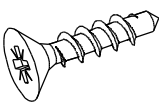
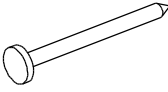
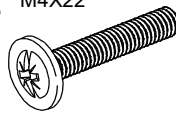
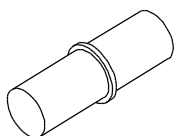
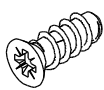
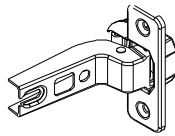
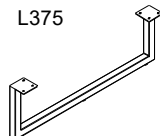
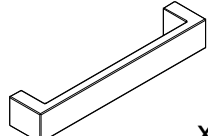


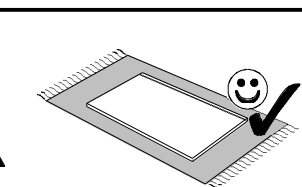
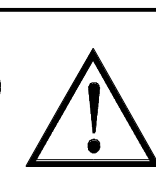
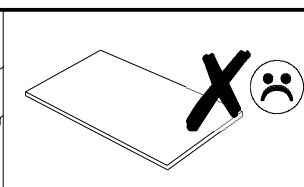
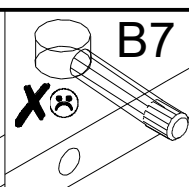
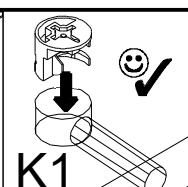
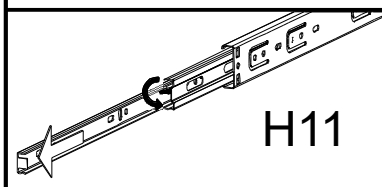
04




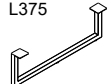
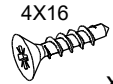
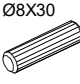

# Komoda 80 SZ+2D

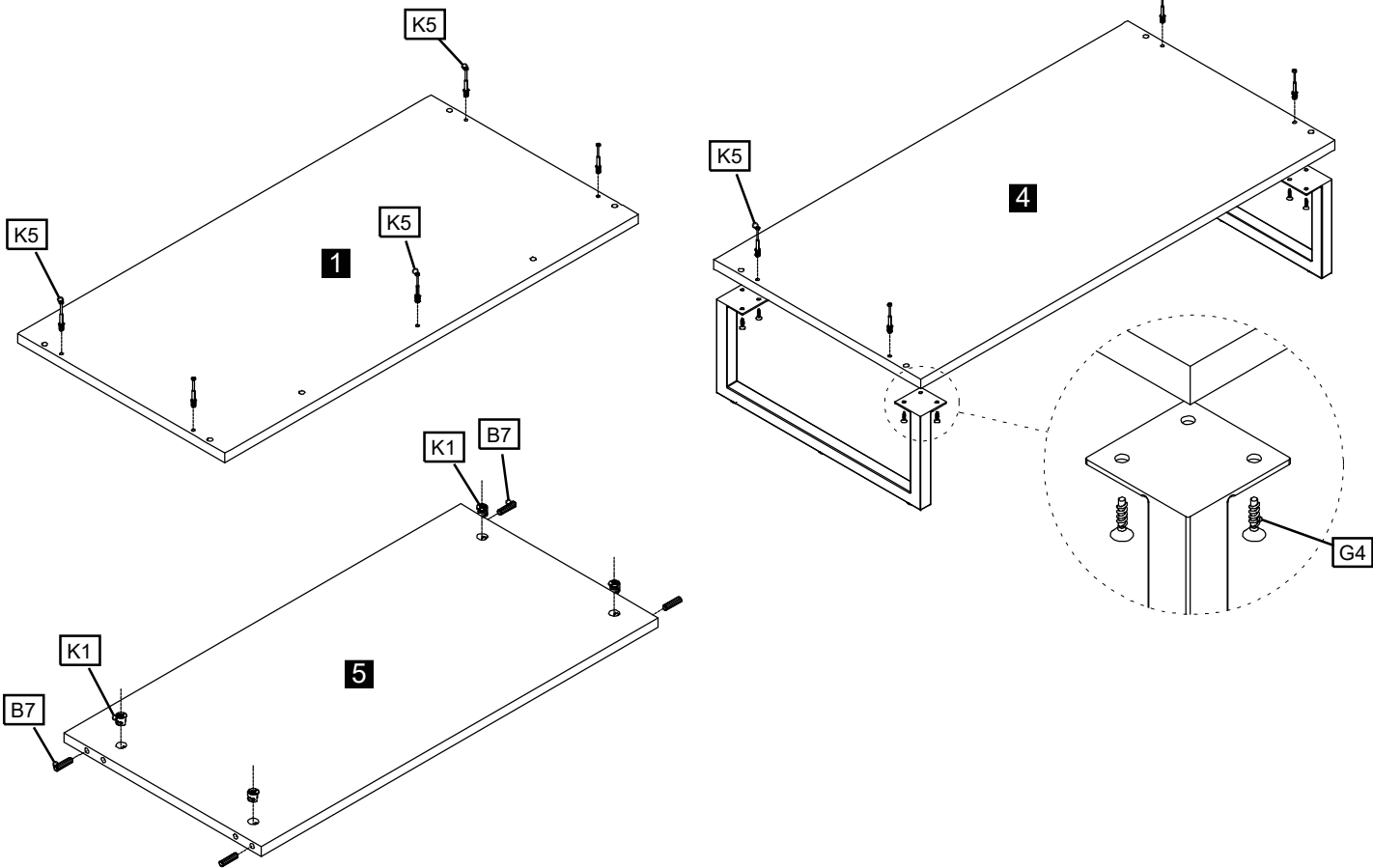


<b>B7</b> Ø8X30  x24	<b>K1z</b>  x17	<b>K5</b>  x17	<b>K1</b> Ø15X12  x17	<b>H11</b>  x1
<b>S1</b>  L=819	<b>D1</b>  x4	<b>G4</b> 4X16  x20	<b>W4</b>  x46	<b>N14</b> M4X22  x6
<b>F2</b>  x4	<b>G20</b> 5X13  x8	<b>C2</b>  x4	<b>P5</b> L375  x2	<b>E3</b>  x3

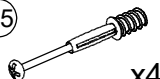
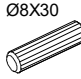
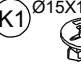

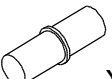

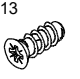


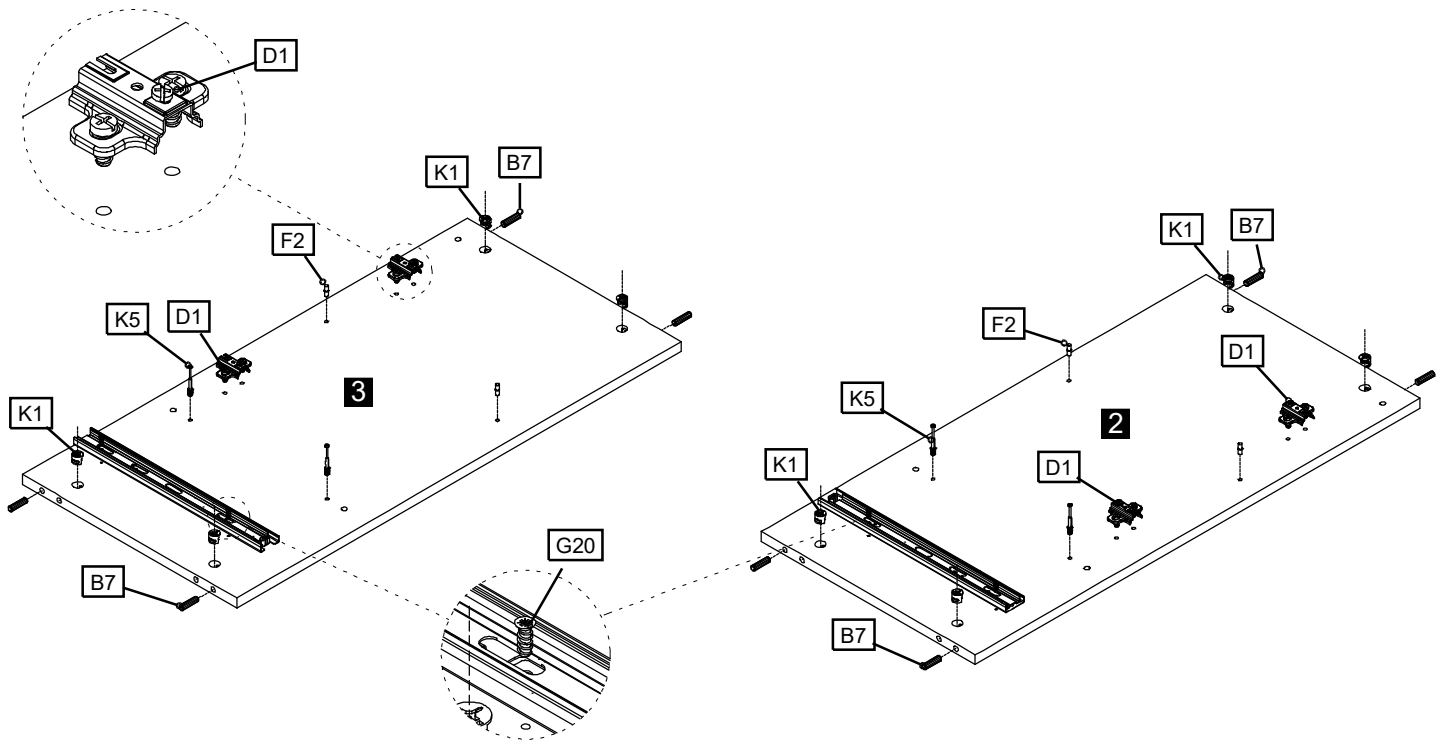
# 01

- (K5)  x9
- (P5) L375  x2
- (G4) 4X16  x12
- (B7)  $\varnothing 8 \times 30$   x4
- (K1)  $\varnothing 15 \times 12$   x4



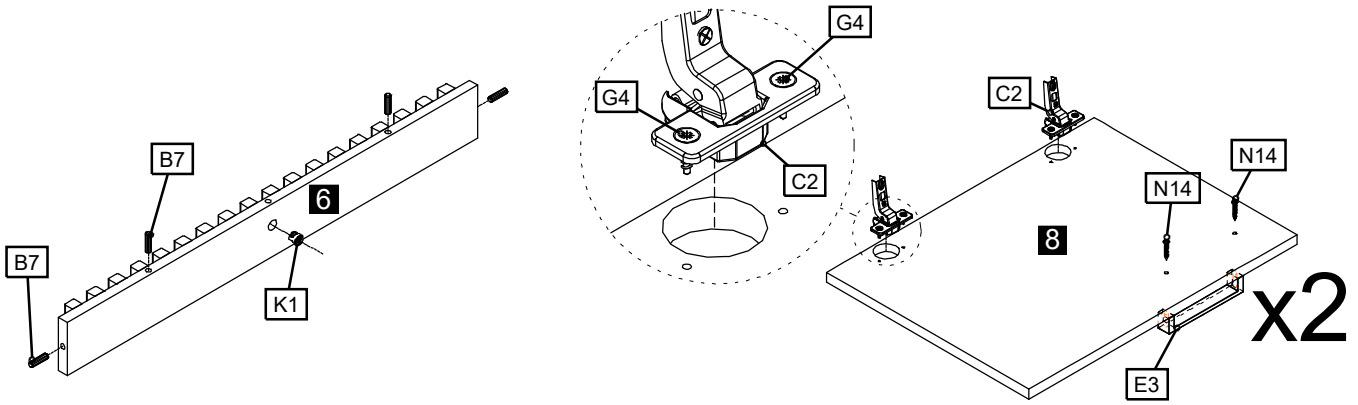
# 02

- (K5)  x4
- (B7)  $\varnothing 8 \times 30$   x8
- (K1)  $\varnothing 15 \times 12$   x8
- (H11)  x2
- (F2)  x4
- (D1)  x4
- (G20) 5X13  x4

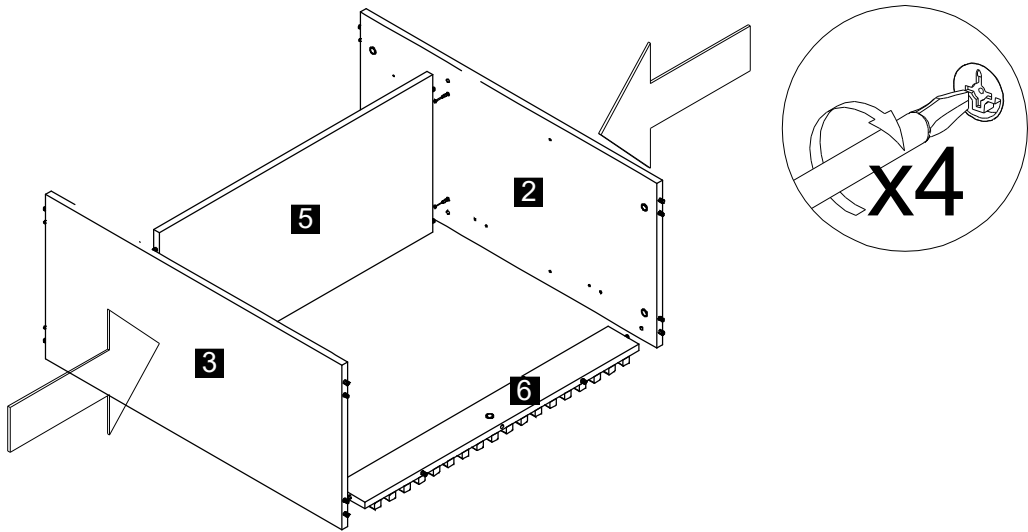


# 03

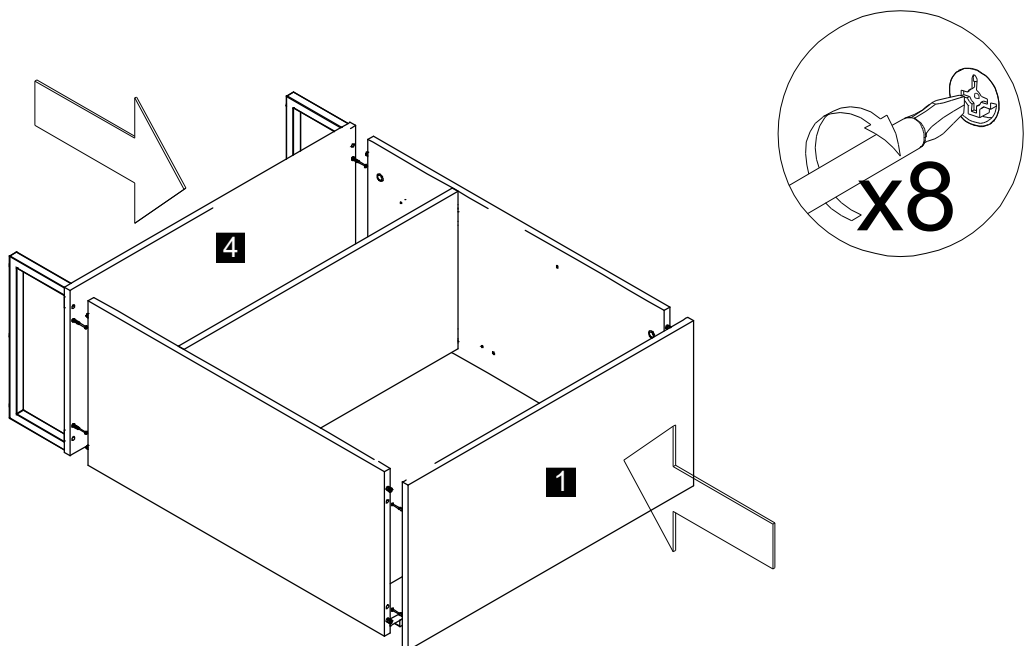
- B7** Ø8X30 x4
- K1** Ø15X12 x1
- E3** x2
- N14** M4X22 x4
- C2** x4
- G4** 4X16 x8



# 04

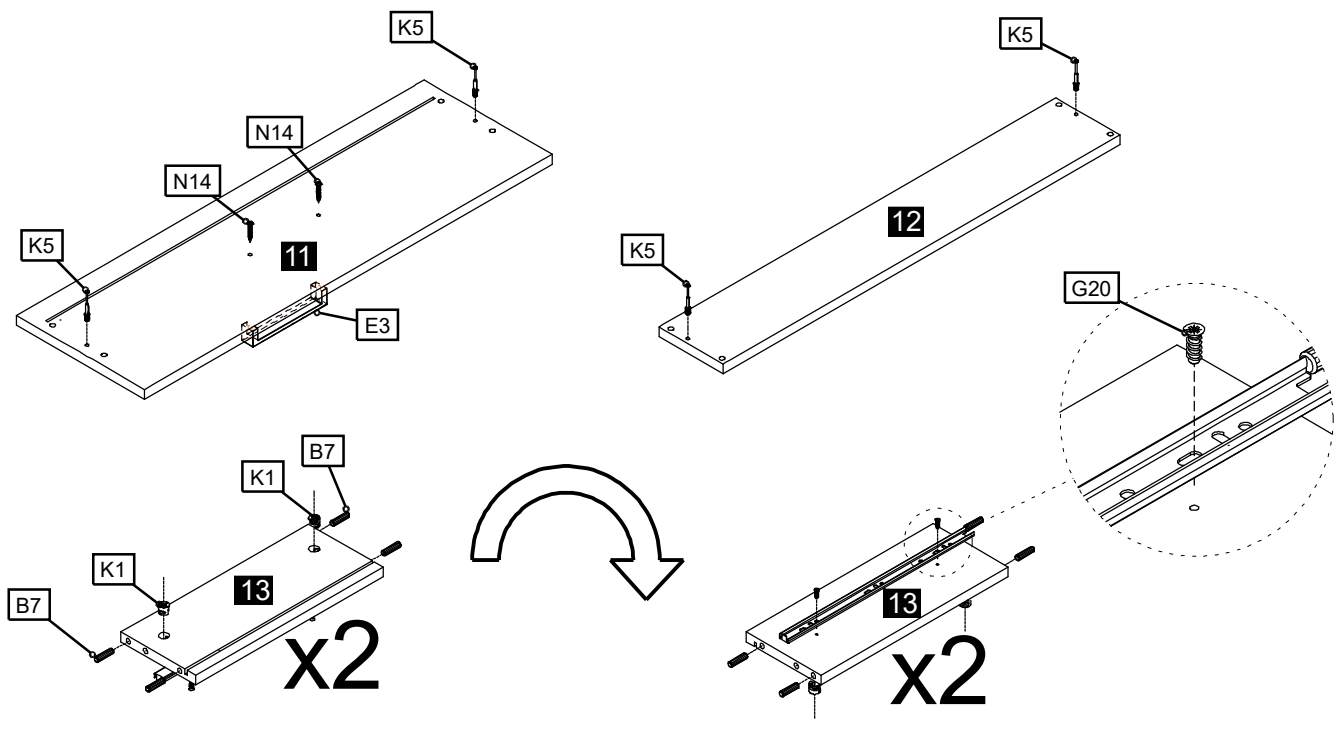


# 05



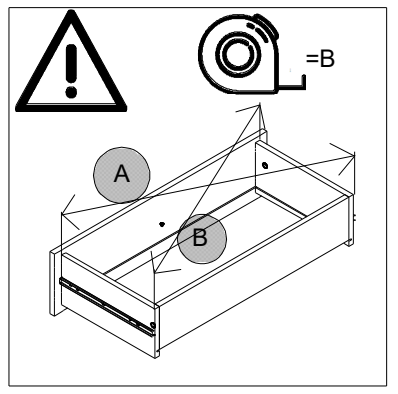
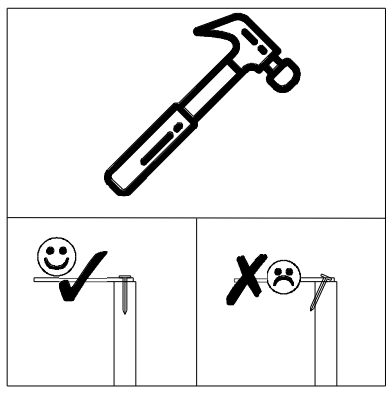
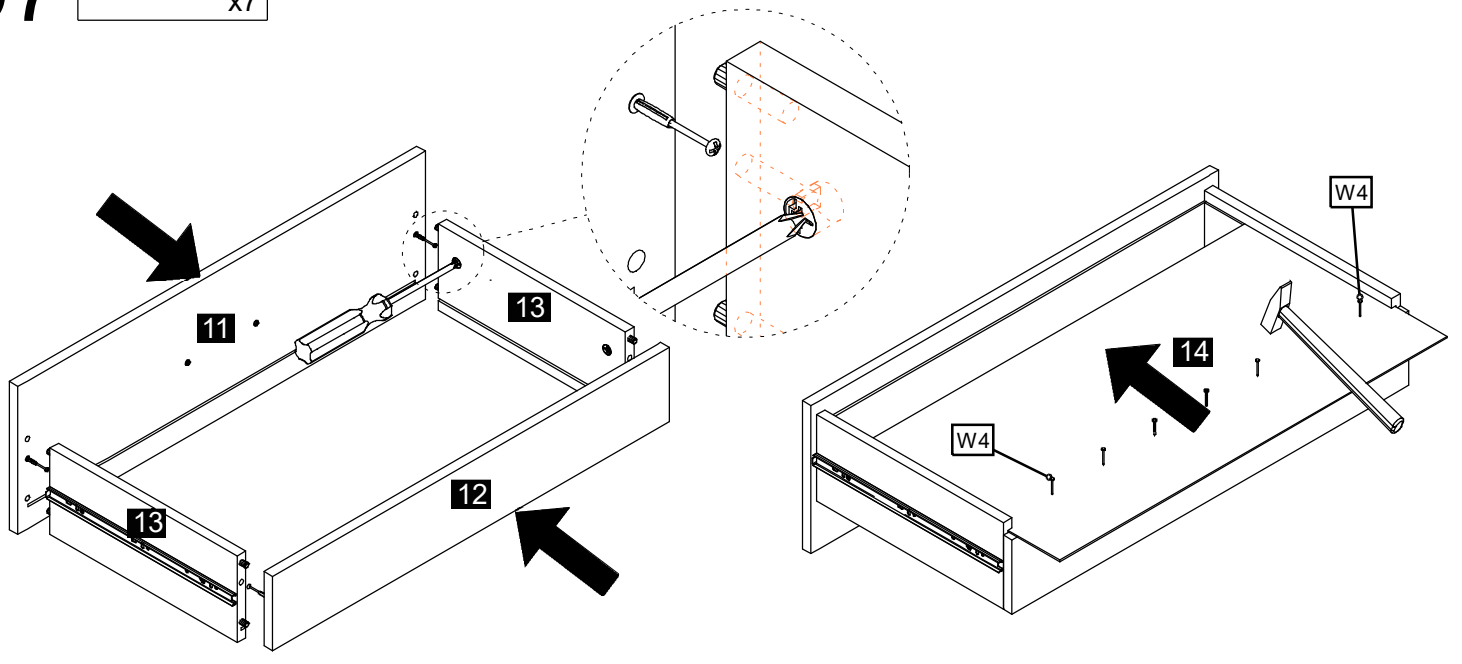
# 06

- N14 M4X22 x2
- K5 x4
- K1 Ø15X12 x4
- B7 Ø8X30 x8
- G20 5X13 x4
- H11 x4
- E3

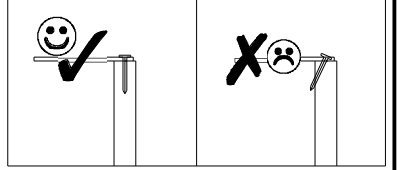
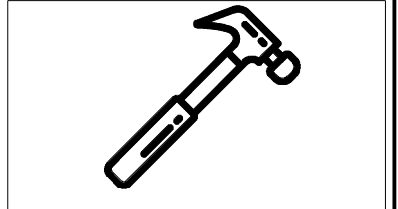
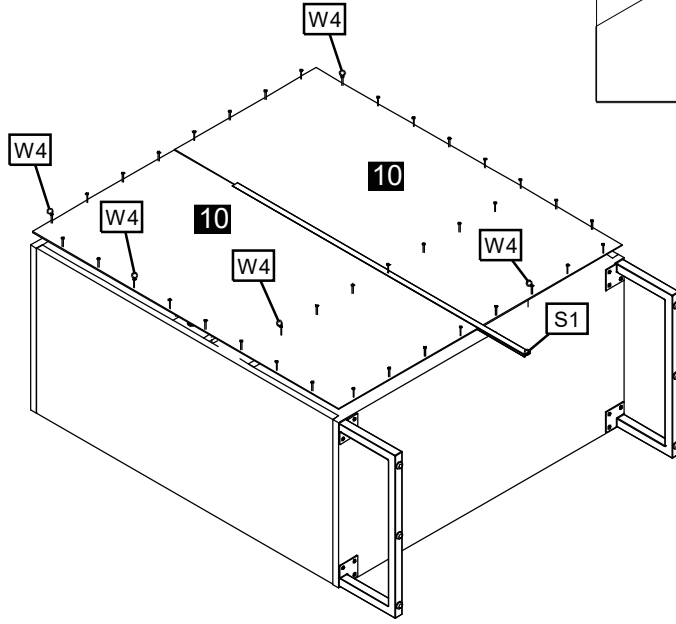
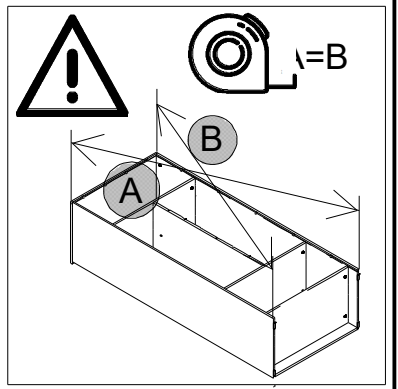
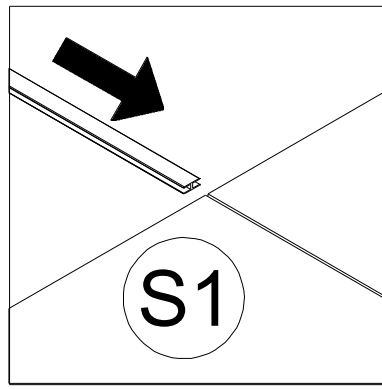
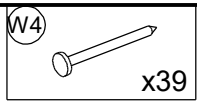


# 07

- W4 x7



# 08



# 09

