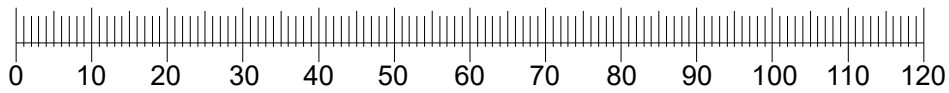
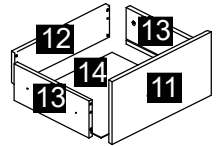
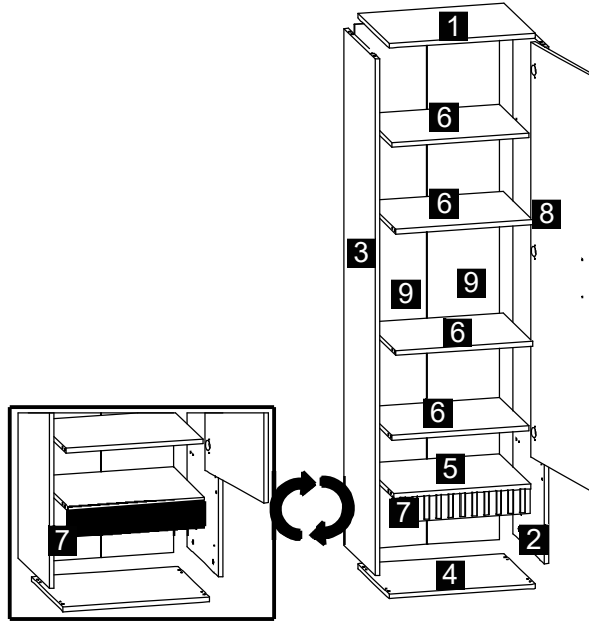
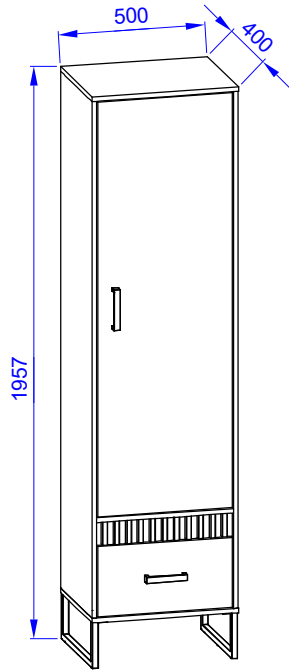
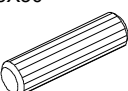

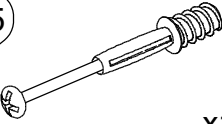

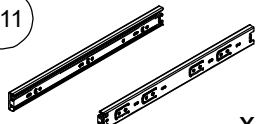
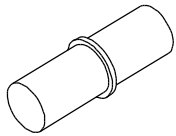

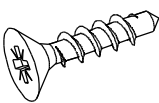
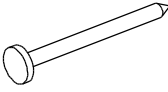
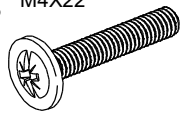
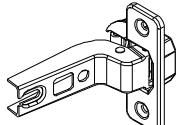
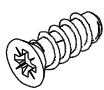
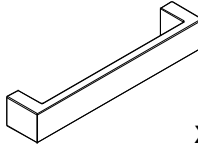
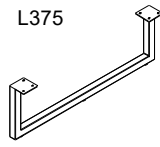

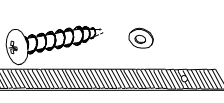
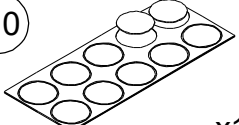


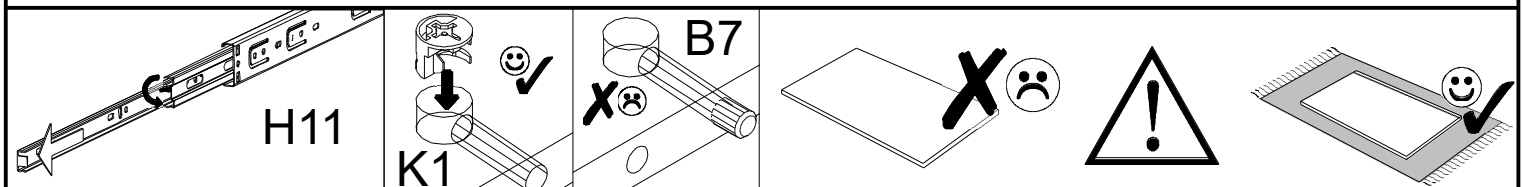
02



REGAŁ

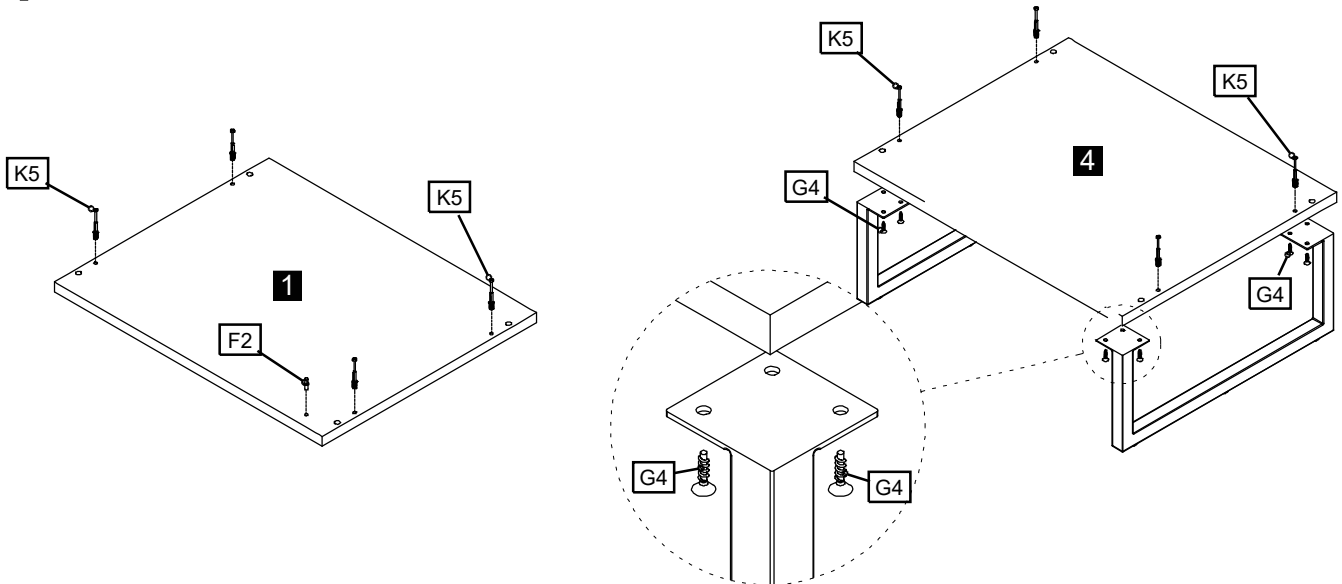


<b>B7</b> Ø8X30  x24	<b>K1z</b>  x17	<b>K5</b>  x17	<b>K1</b> Ø15X12  x17	<b>H11</b>  x1
<b>F2</b>  x17	<b>D1</b>  x3	<b>G4</b> 4X16  x18	<b>W4</b>  x36	<b>N14</b> M4X22  x4
<b>C2</b>  x3	<b>G20</b> 5X13  x8	<b>E3</b>  x2	<b>P5</b> L375  x2	<b>S1</b> L1756  x2
<b>R2</b>  x1	<b>I10</b>  x12			



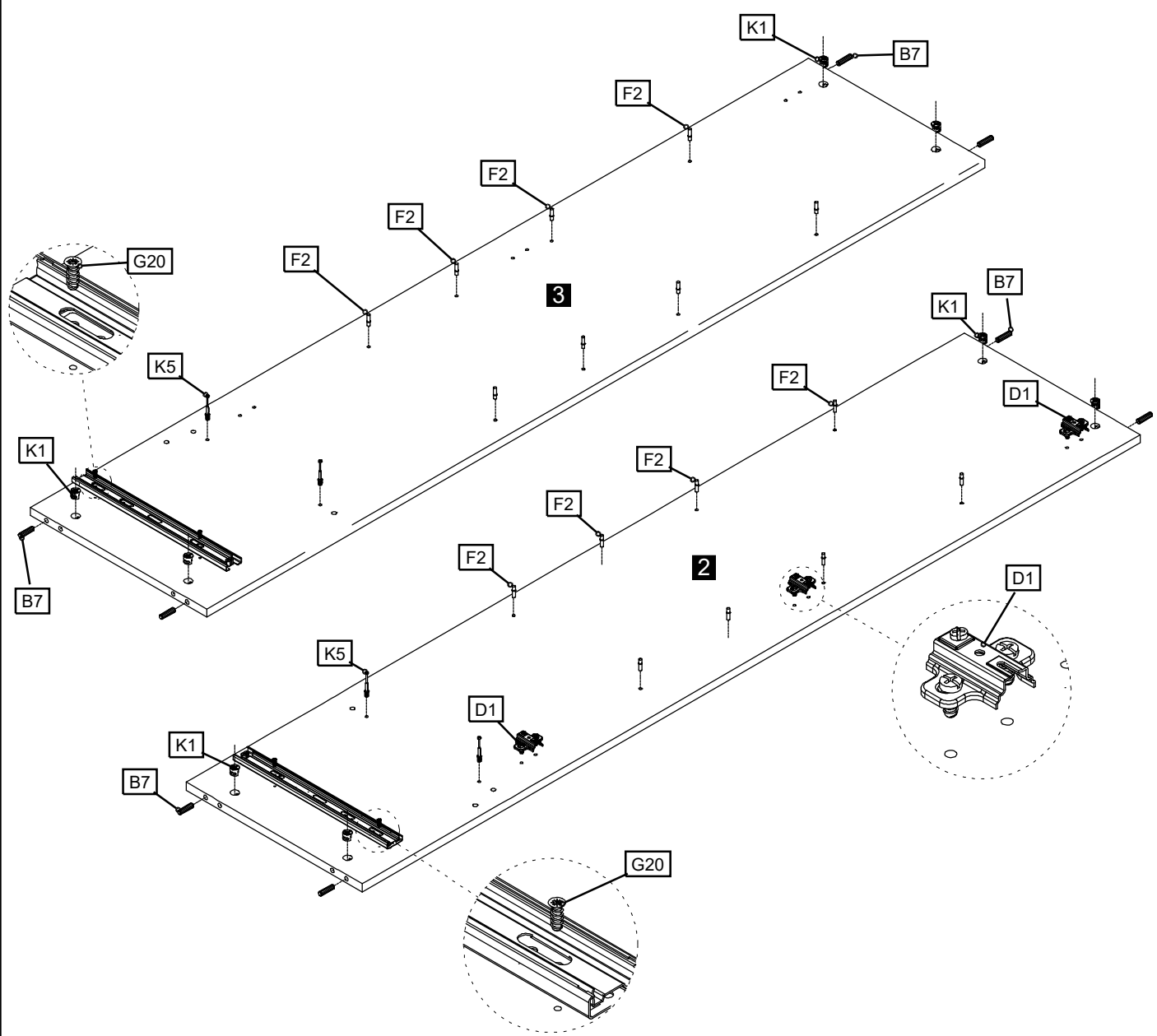
# 01

- K5 x8
- P5 L375 x2
- G4 4X16 x12
- F2 x12






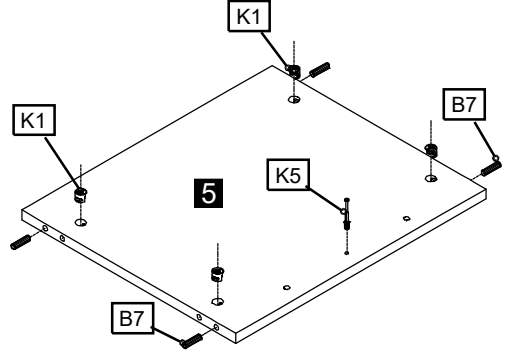
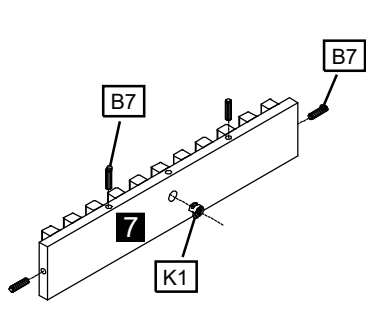
# 02

- K5 x4
- B7  $\varnothing 8 \times 30$  x8
- K1  $\varnothing 15 \times 12$  x8
- H11 x2
- D1 x3
- G20 5X13 x4
- F2 x16

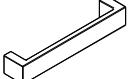

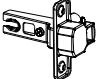
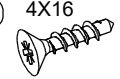


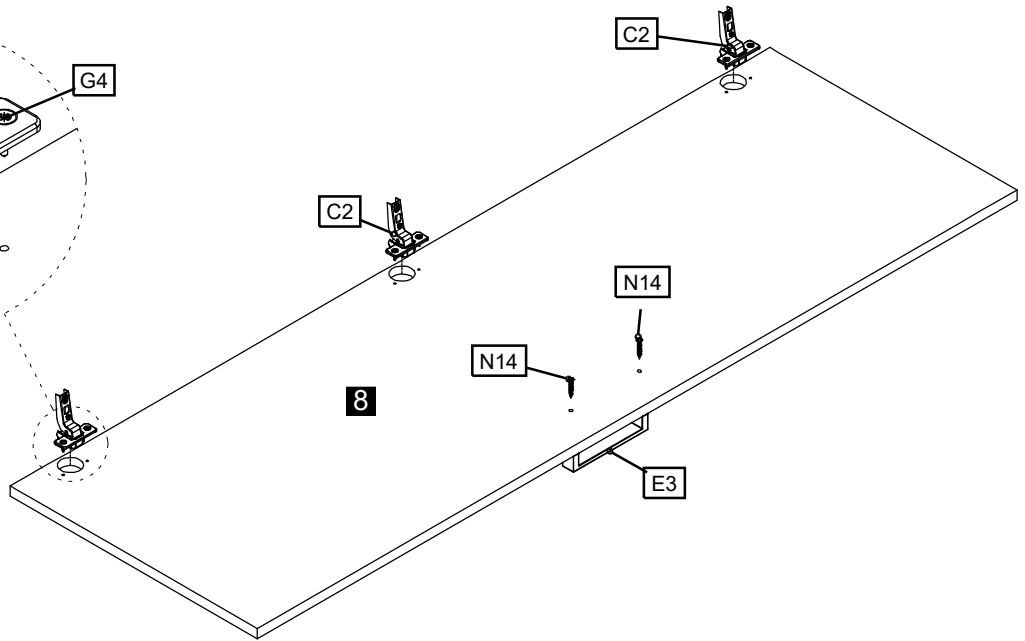
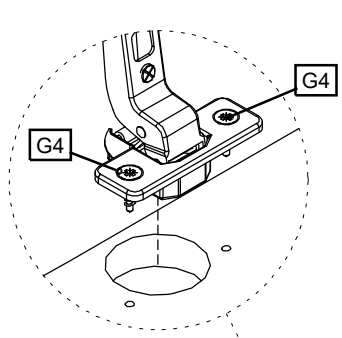
# 03

- K5**  x1
- B7**  $\varnothing 8 \times 30$   x8
- K1**  $\varnothing 15 \times 12$   x5



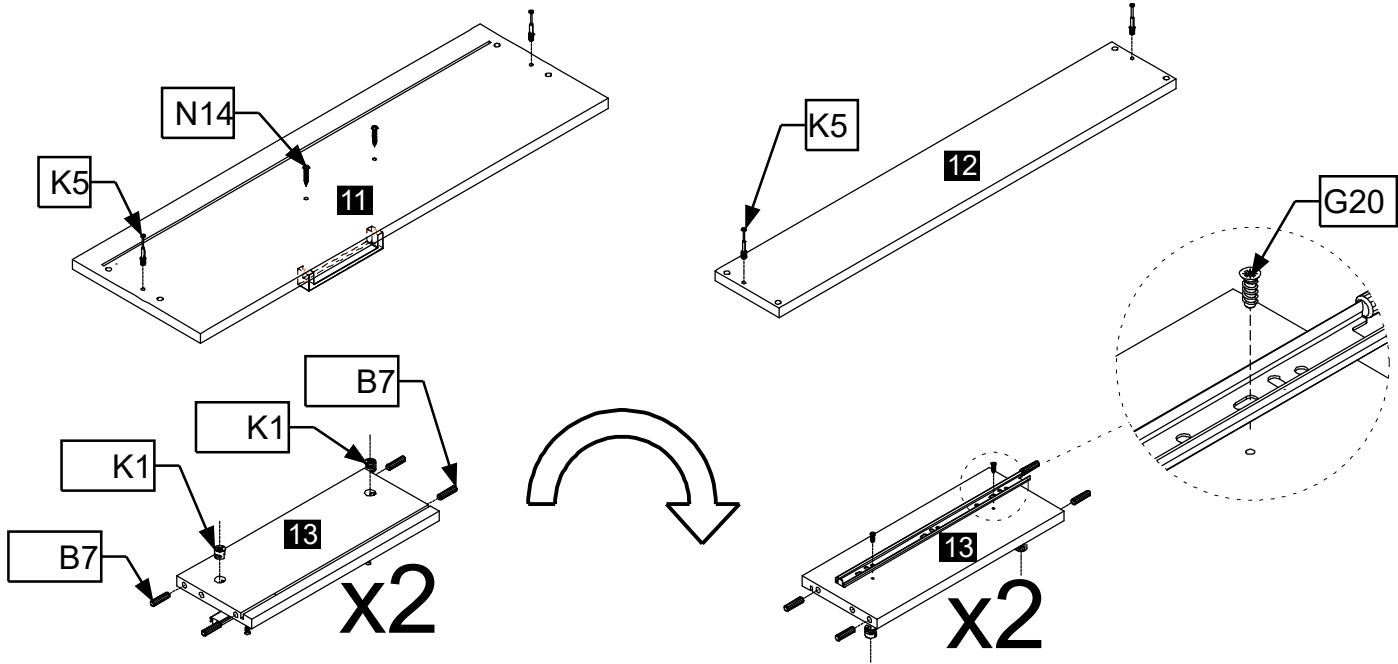
# 04

- E3** 
- N14** M4X22  x2
- C2**  x3
- G4** 4X16  x6



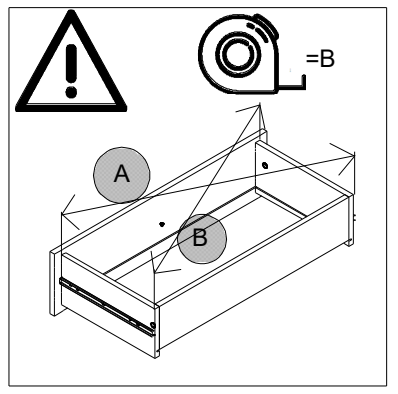
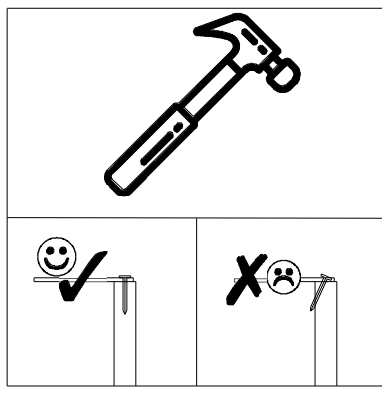
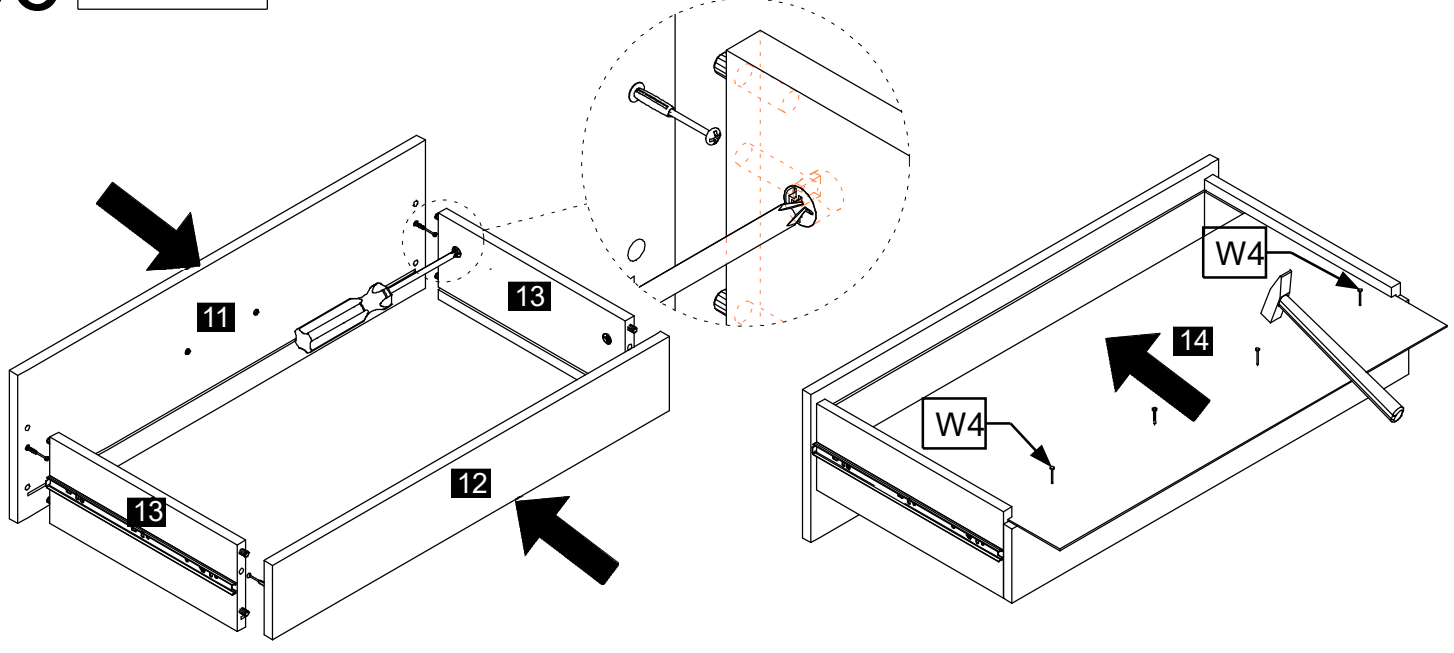
# 05

- N14 M4X22 x2
- K5 x4
- K1 Ø15X12 x4
- B7 Ø8X30 x8
- G20 5X13 x4
- H11 x1
- E3 x1

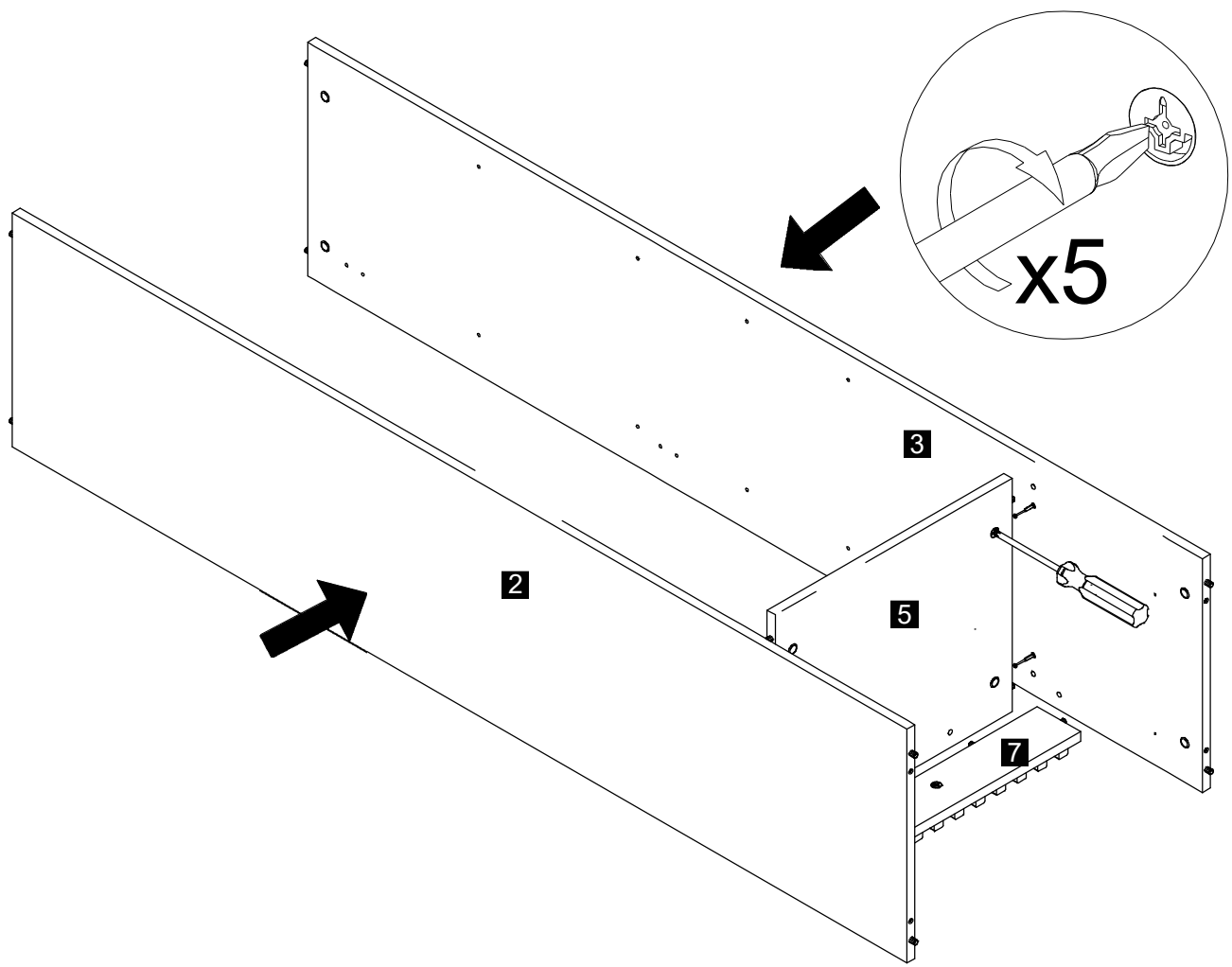


# 06

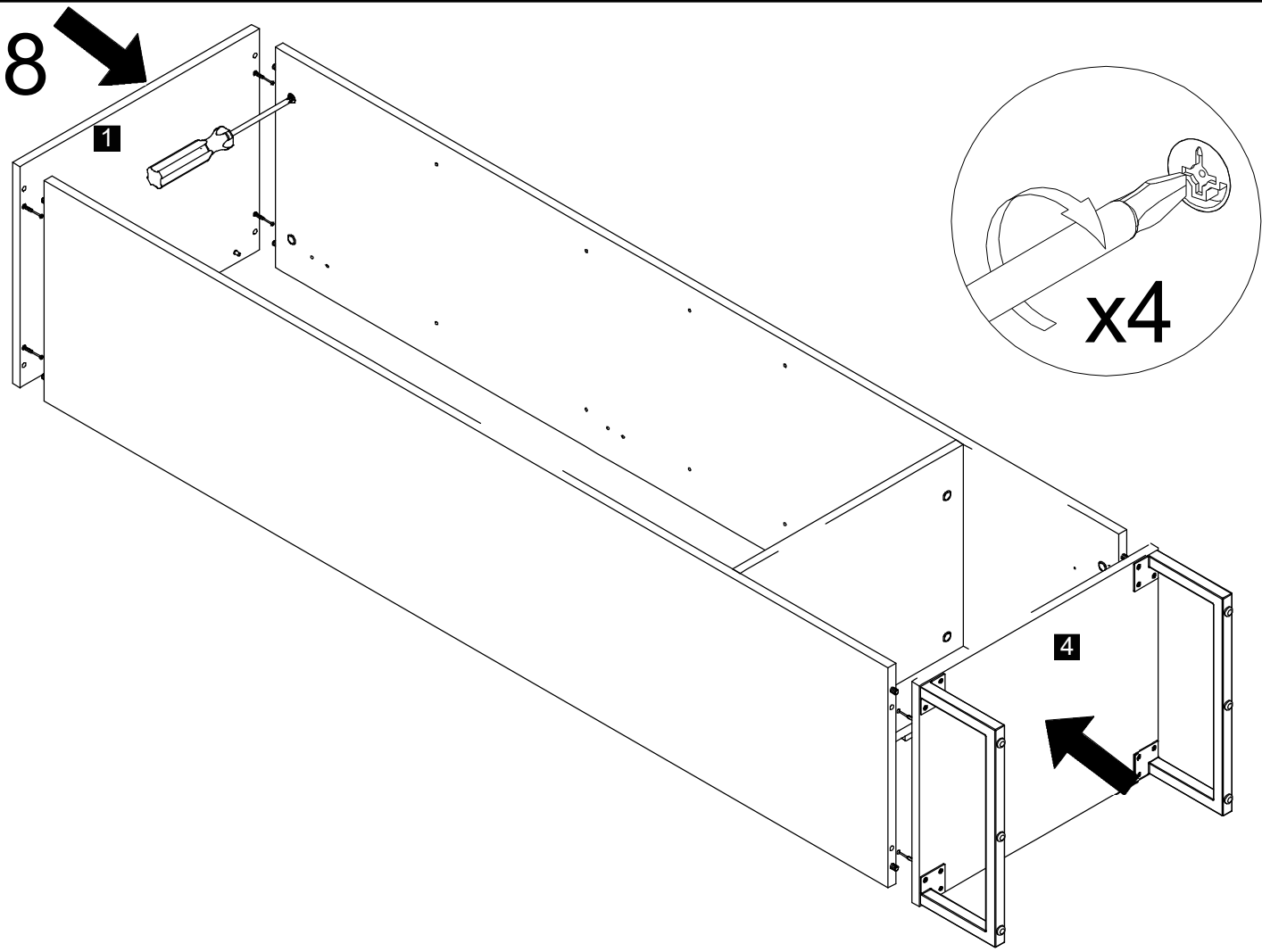
- W4 x4



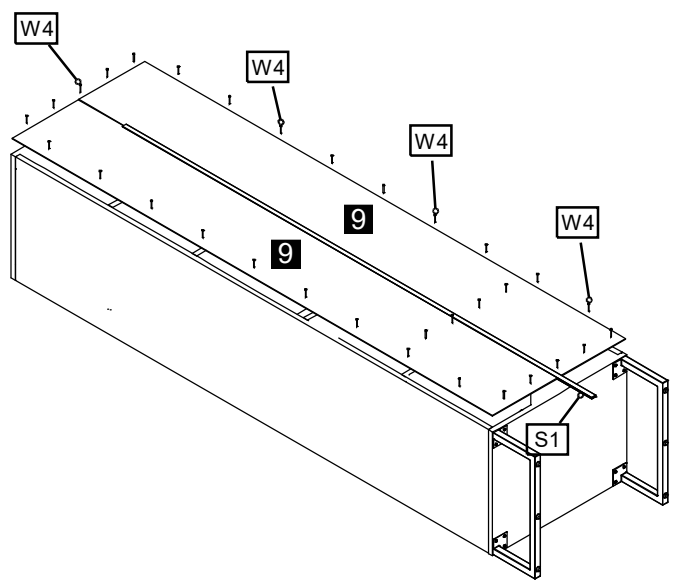
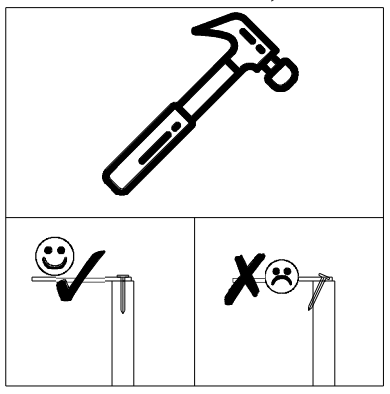
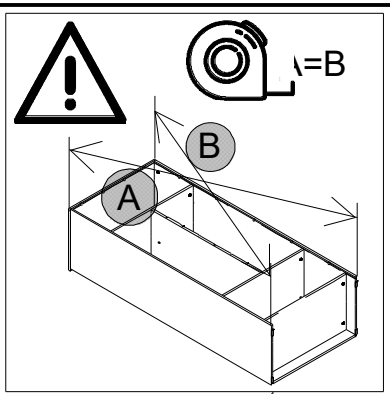
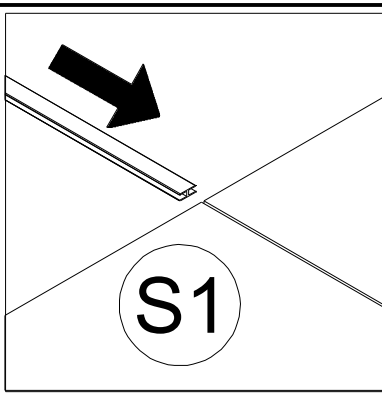
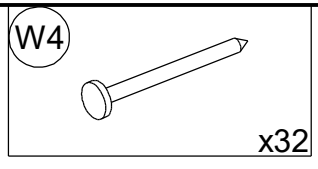
07



08



09



10

