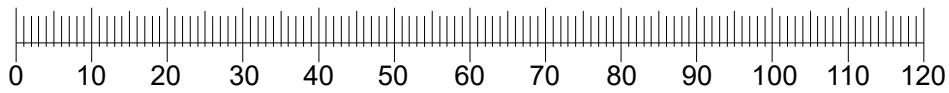
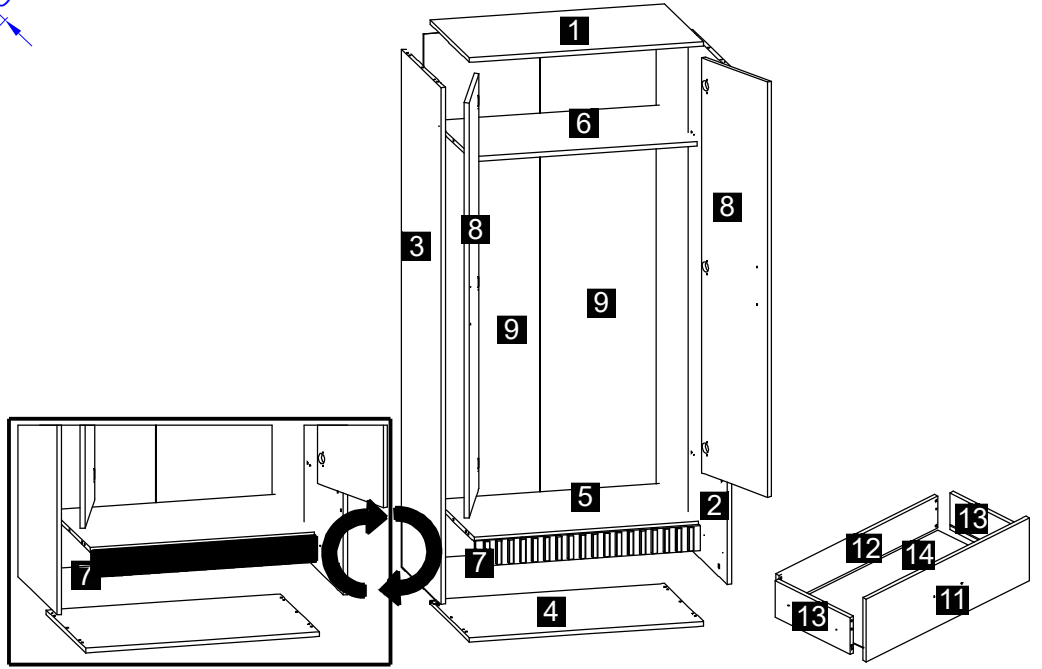
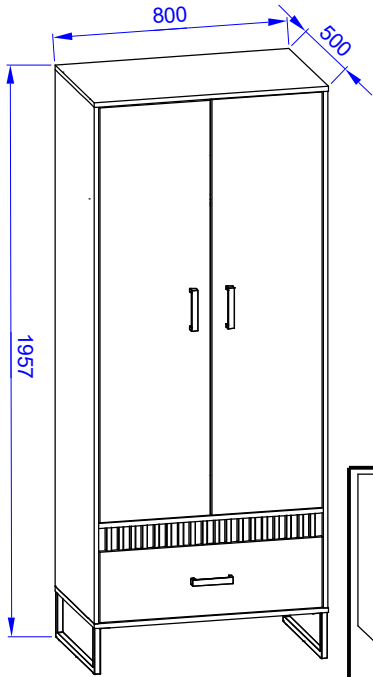
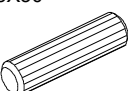

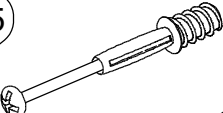
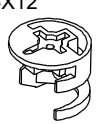
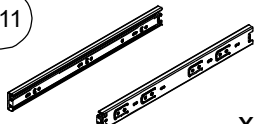


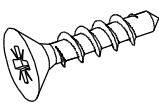
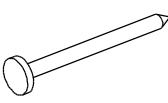

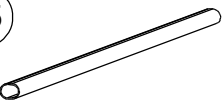
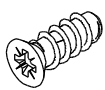
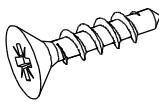
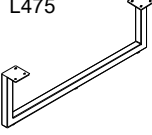
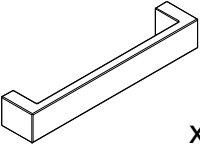
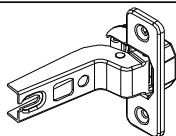
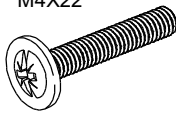
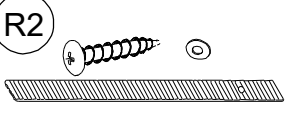


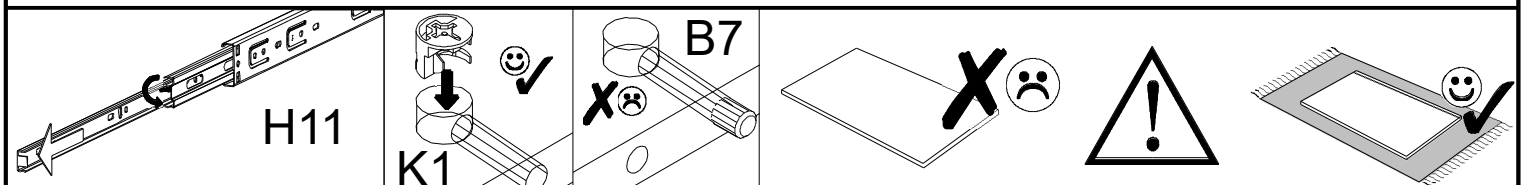
01



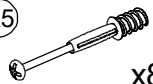
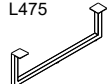
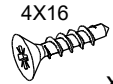
SZAFA 80

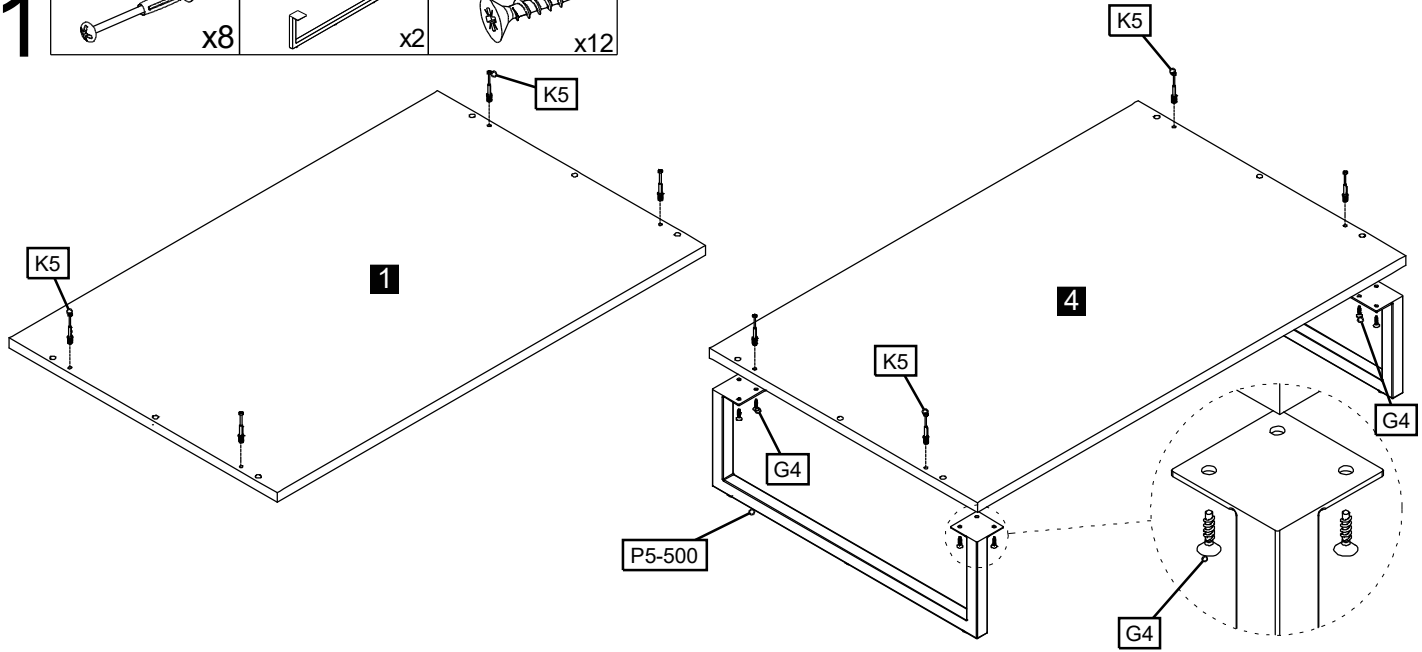


<b>B7</b> Ø8X30  x37	<b>K1z</b>  x21	<b>K5</b>  x21	<b>K1</b> Ø15X12  x21	<b>H11</b>  x1
<b>S1</b>  L=1756	<b>D1</b>  x6	<b>G4</b> 4X16  x24	<b>W4</b>  x41	<b>S4</b>  x2
<b>S5</b>  L=764	<b>G20</b> 5X13  x8	<b>G6</b> 3X13  x2	<b>P5</b> L475  x2	<b>E3</b>  x3
<b>C2</b>  x6	<b>N14</b> M4X22  x6	<b>R2</b>  x1		


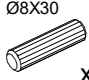


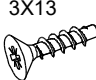





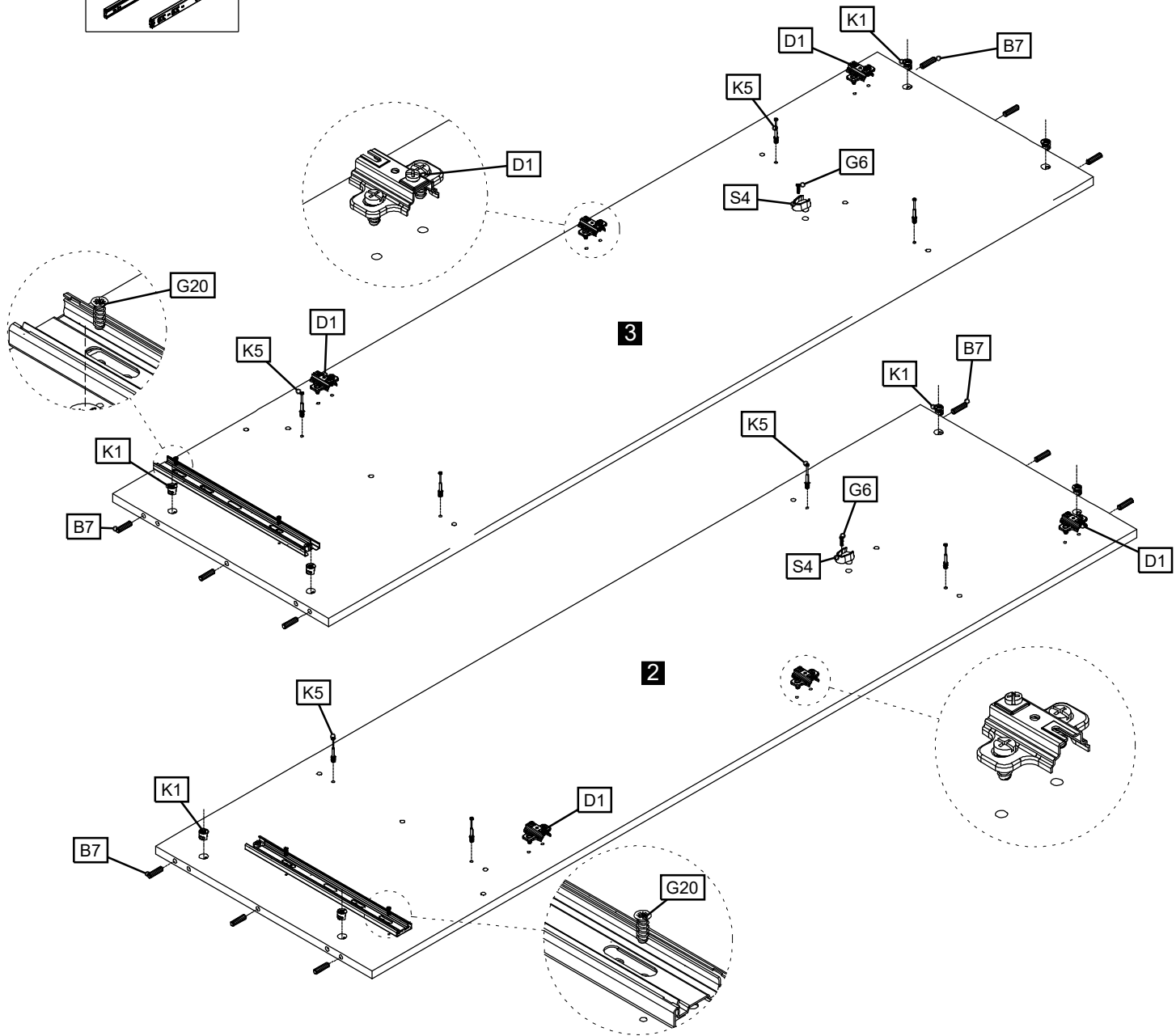
# 01

- (K5)  x8
- (P5) L475  x2
- (G4) 4X16  x12


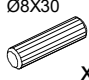
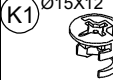


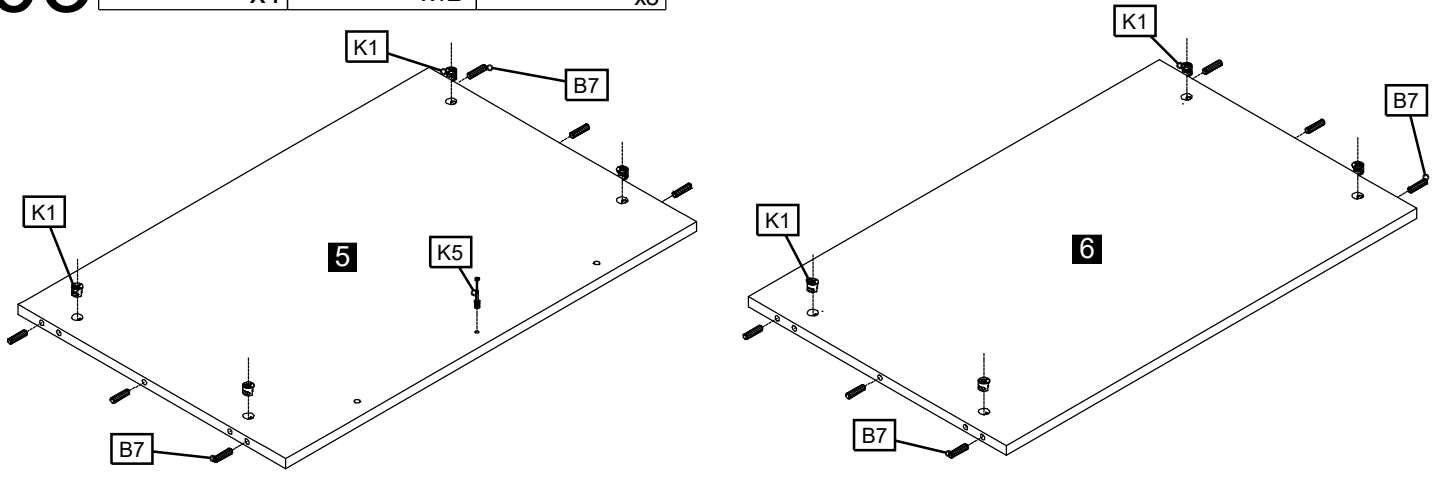
# 02

- (K5)  x8
- (B7)  $\varnothing 8 \times 30$   x12
- (K1)  $\varnothing 15 \times 12$   x8
- (S4)  x2
- (G6) 3X13  x2
- (D1)  x6
- (G20) 5X13  x4
- (H11) 

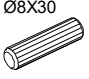

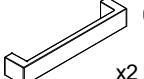
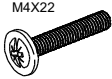
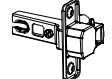
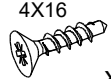


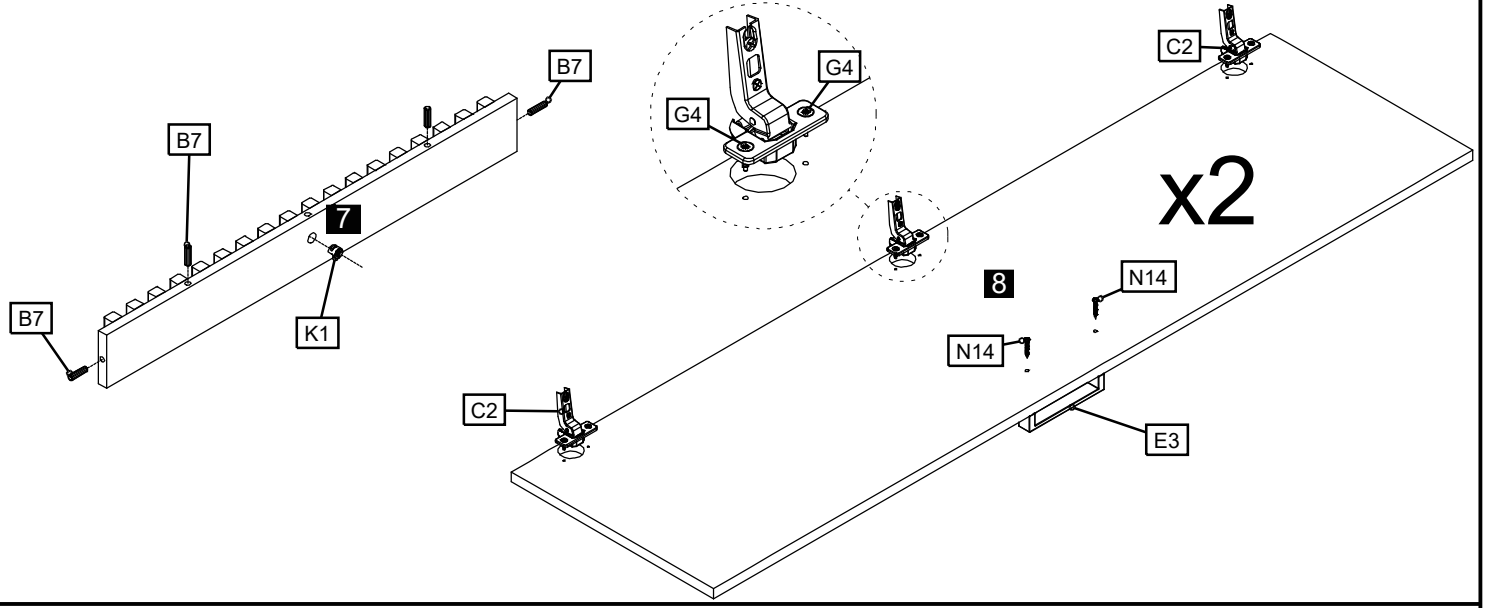
# 03

- K5**  x1
- B7**  $\varnothing 8 \times 30$   x12
- K1**  $\varnothing 15 \times 12$   x8

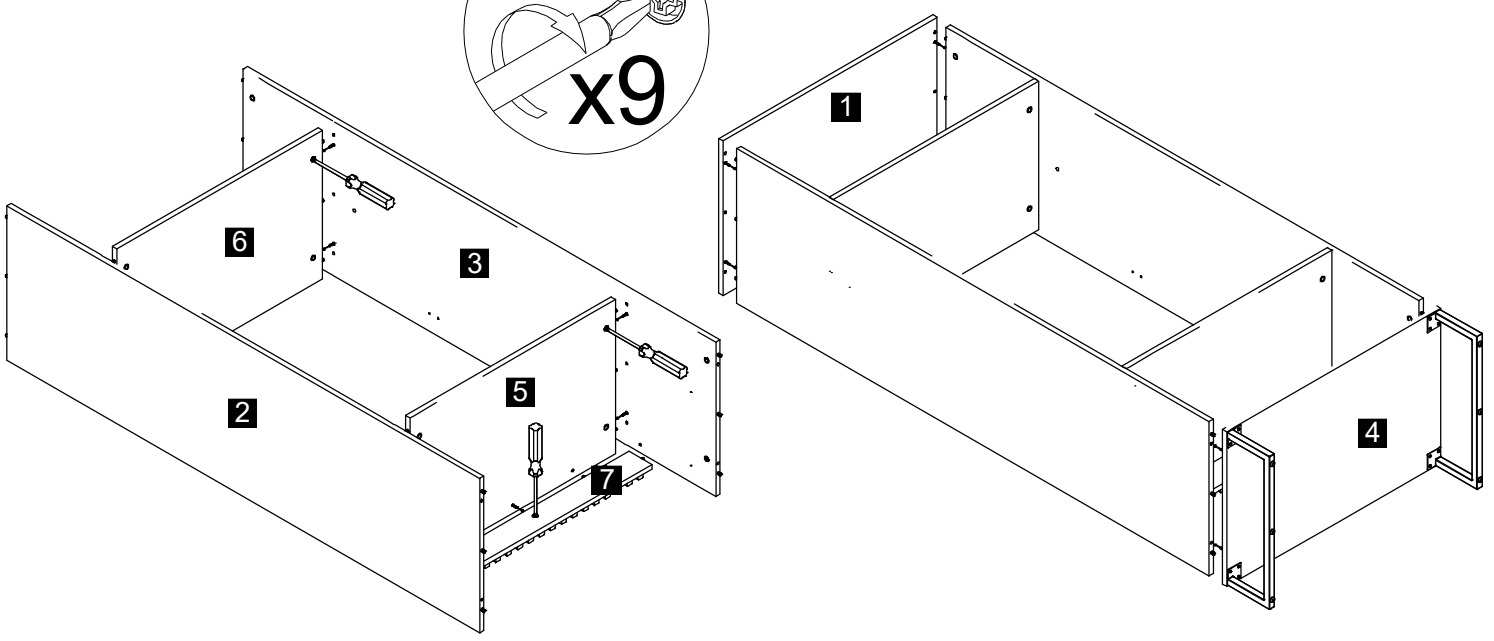
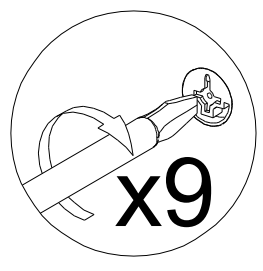


# 04

- B7**  $\varnothing 8 \times 30$   x4
- K1**  $\varnothing 15 \times 12$   x1
- E3**  x2
- N14**  $M4 \times 22$   x4
- C2**  x6
- G4**  $4 \times 16$   x12

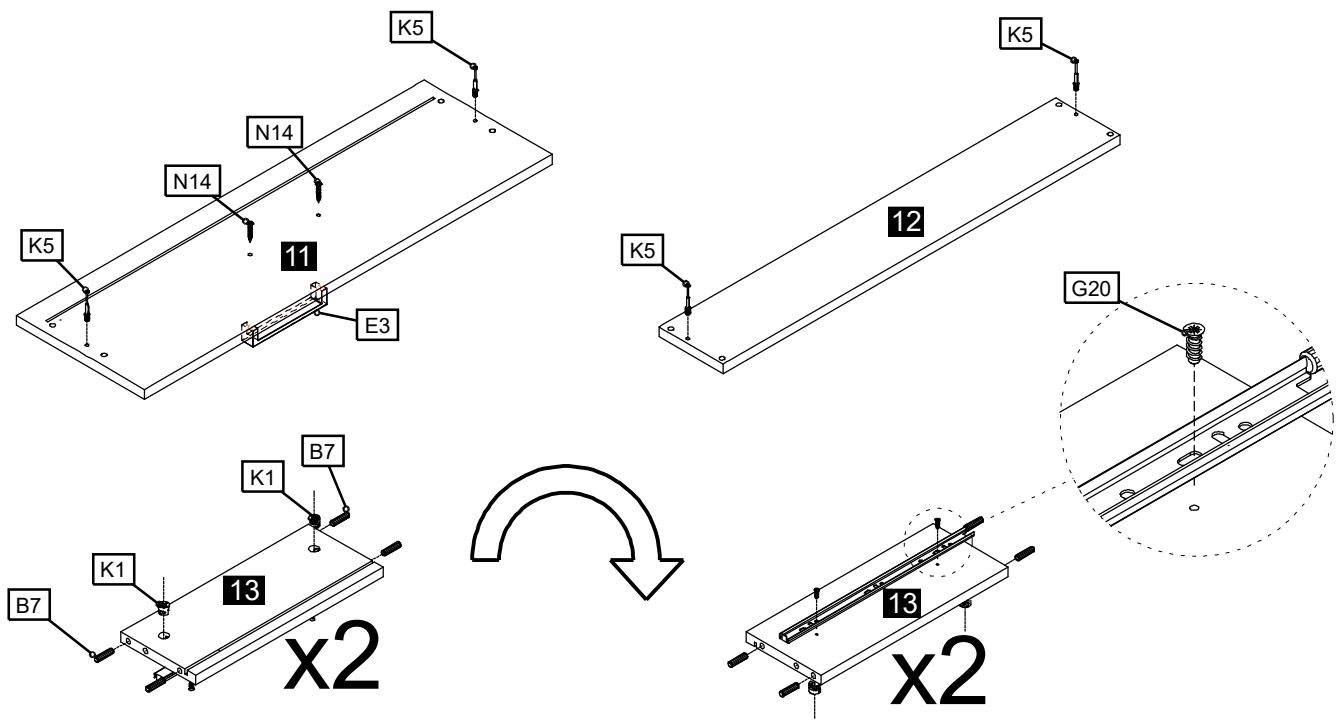


# 05



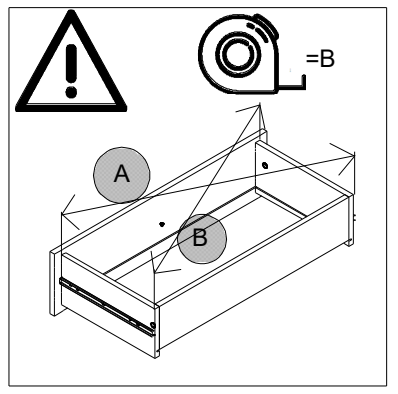
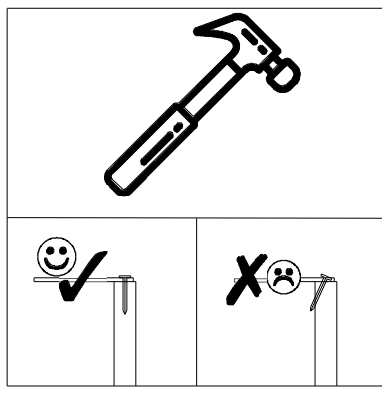
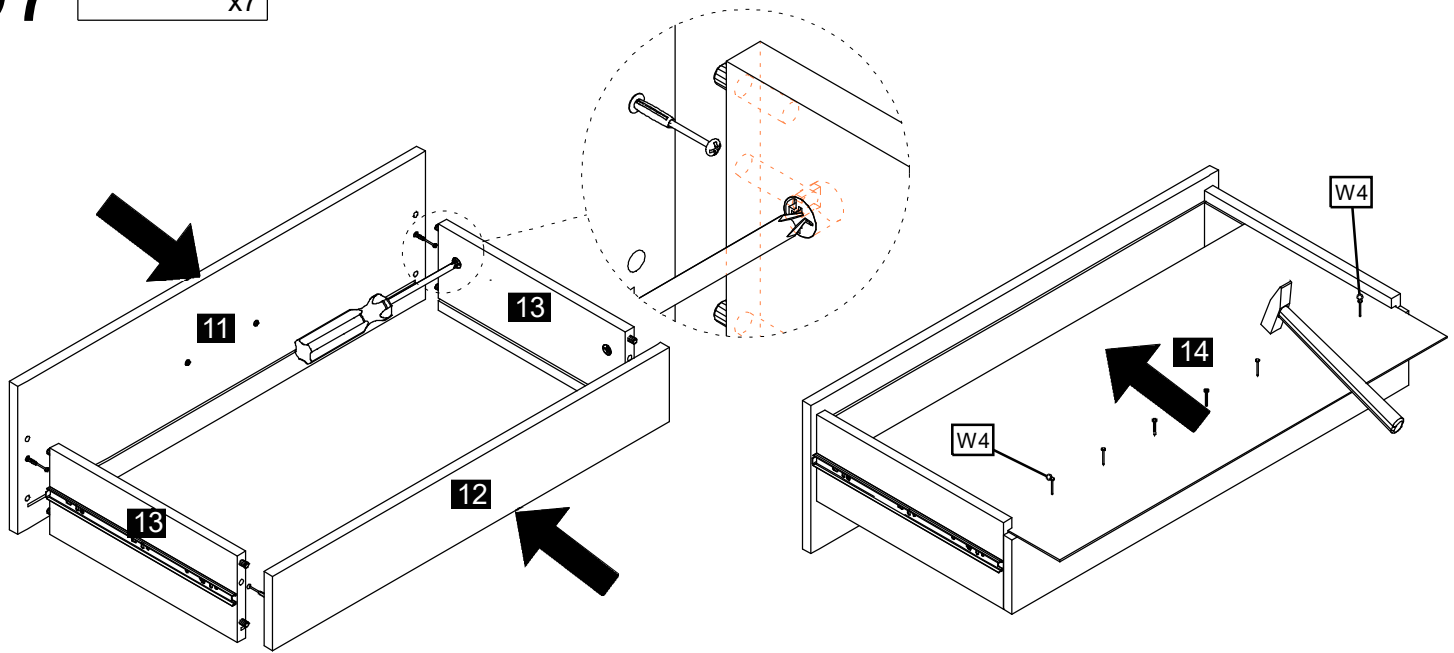
# 06

- N14 M4x22 x2
- K5 x4
- K1 Ø15x12 x4
- B7 Ø8x30 x8
- G20 5x13 x4
- H11
- E3



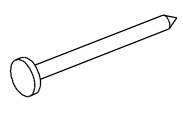
# 07

- W4 x7

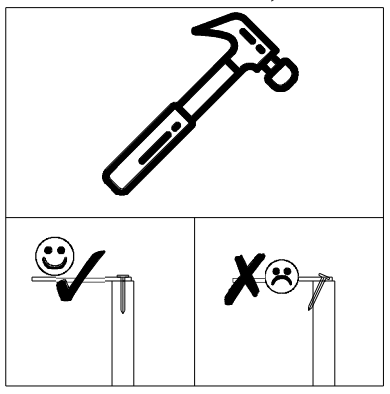
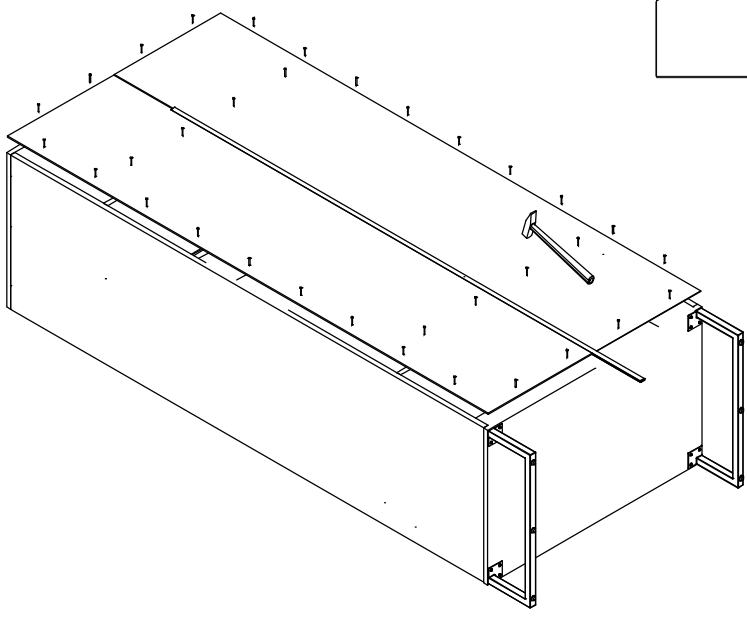
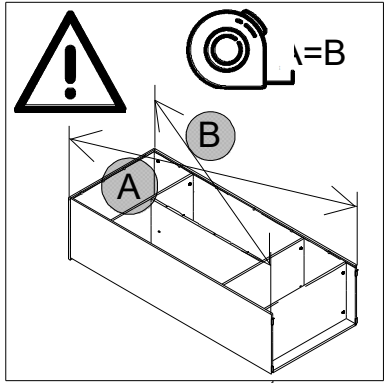
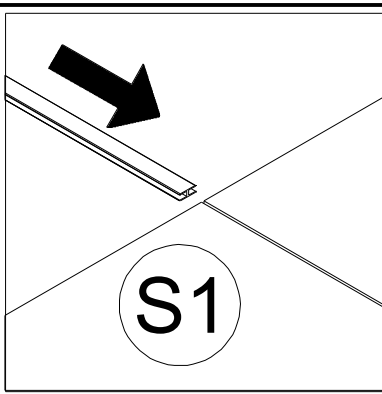


08

W4

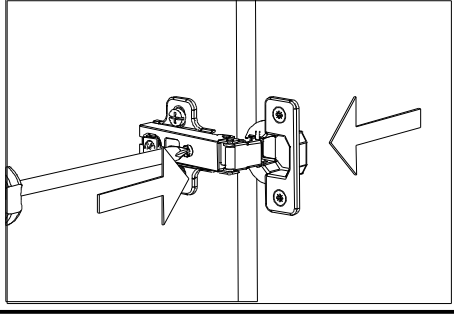
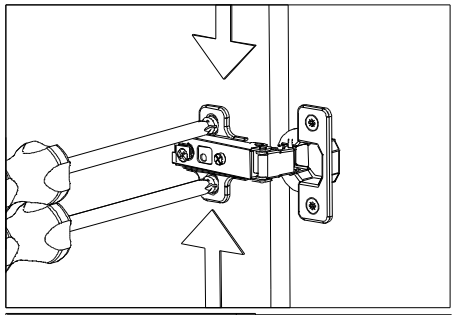
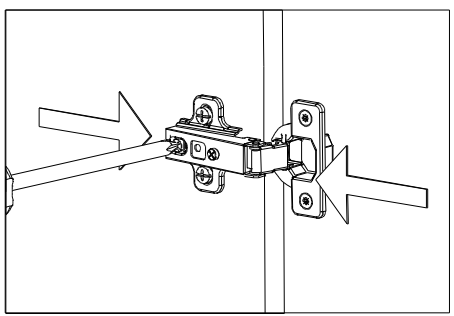


x34



09

S5



S5 L=764

