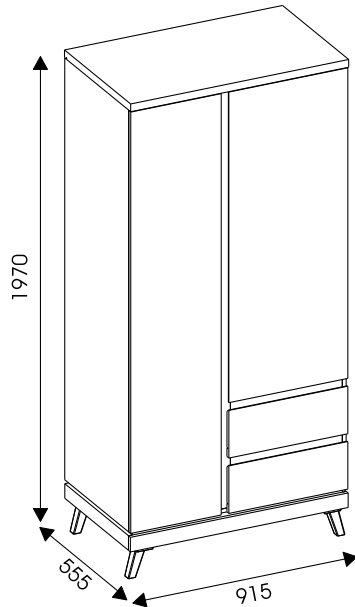
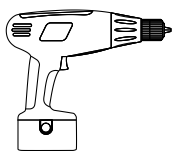
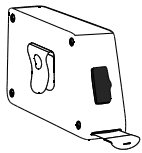
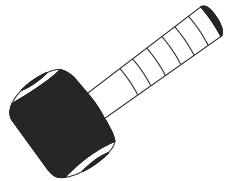
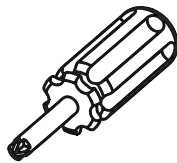
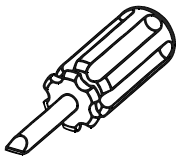
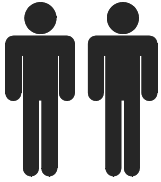
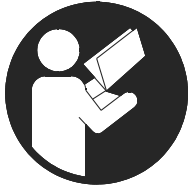
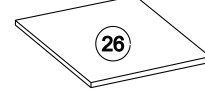


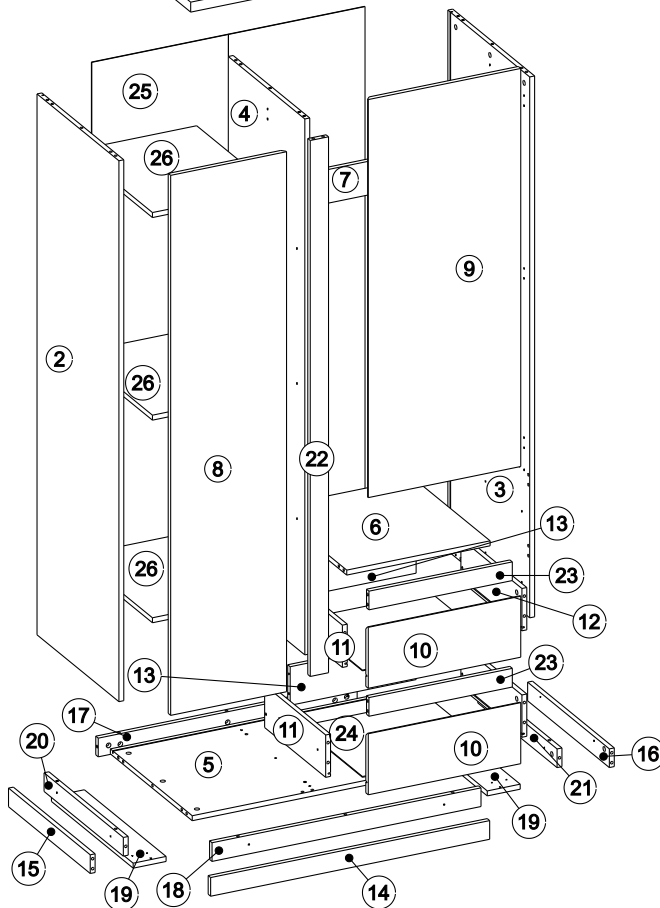
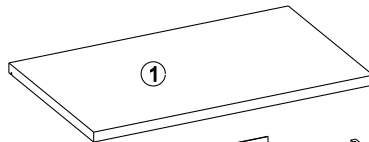
MODELL: AT1 1, AT1 2



Opcja!!!
- dodatkowe półki
Option !!!
- additional shelves

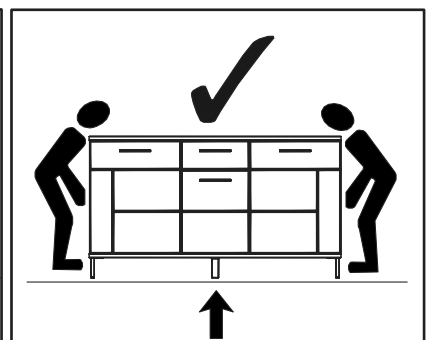
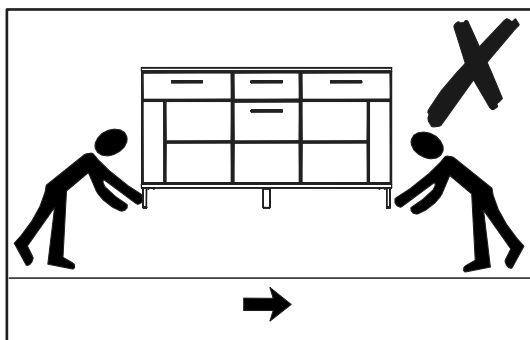
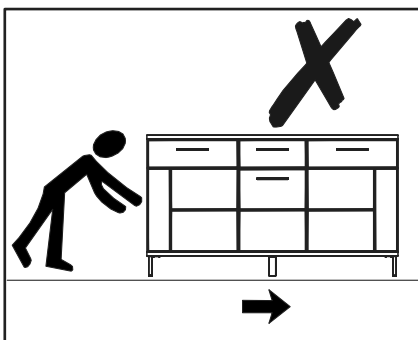
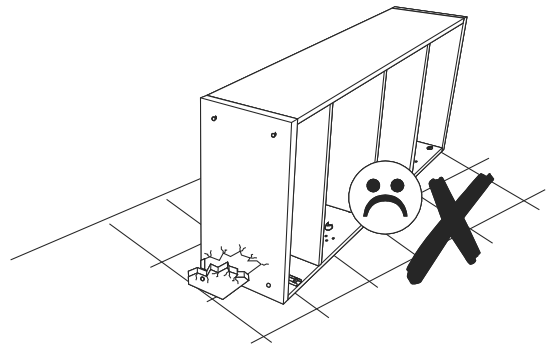
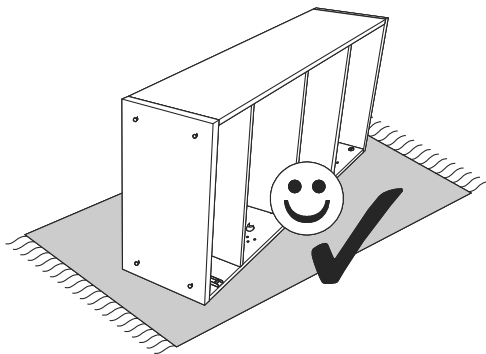
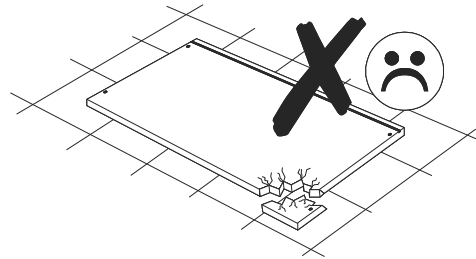
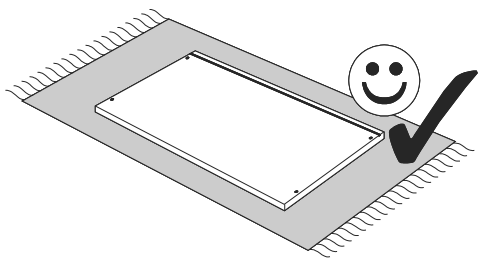
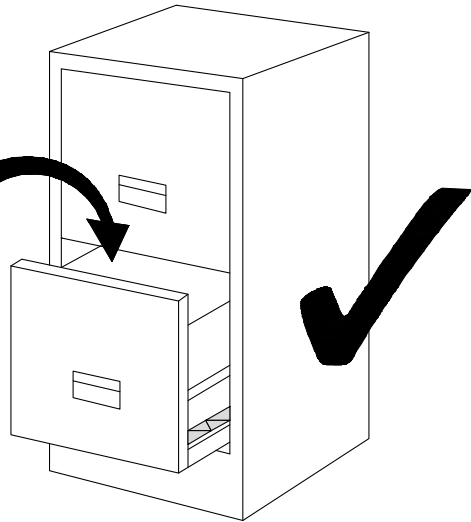
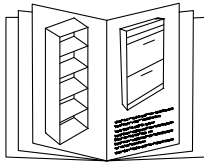
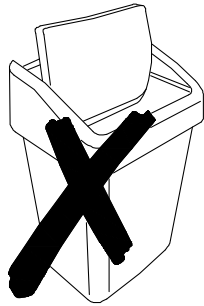


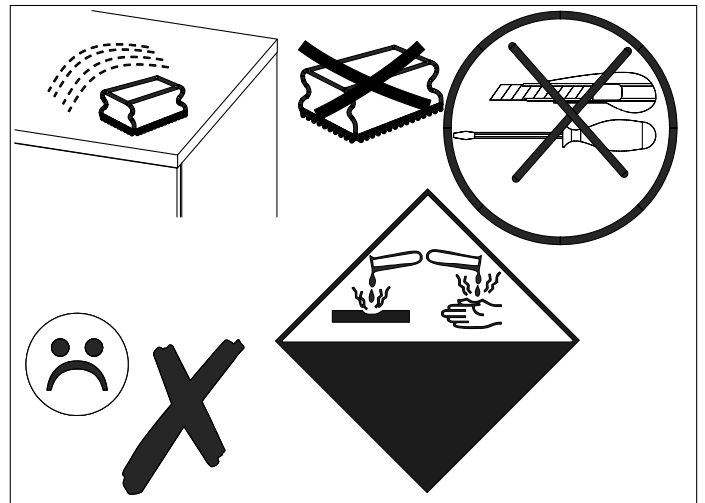
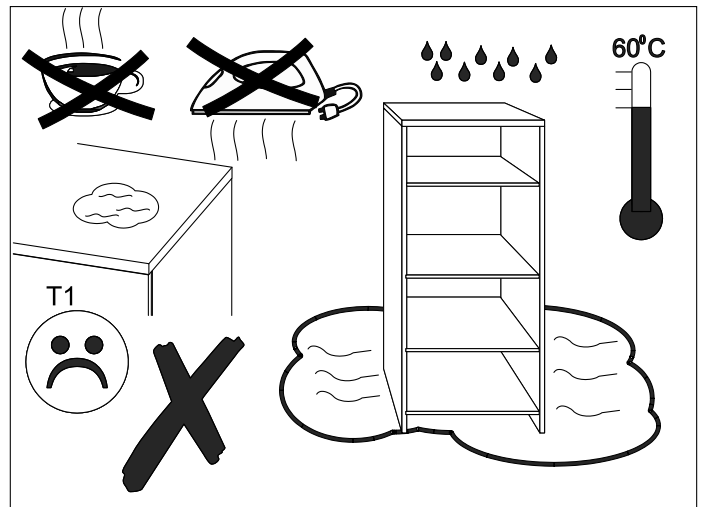
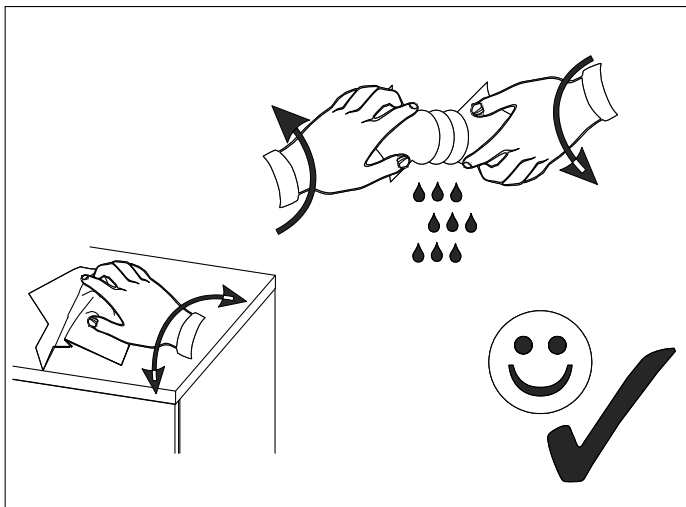
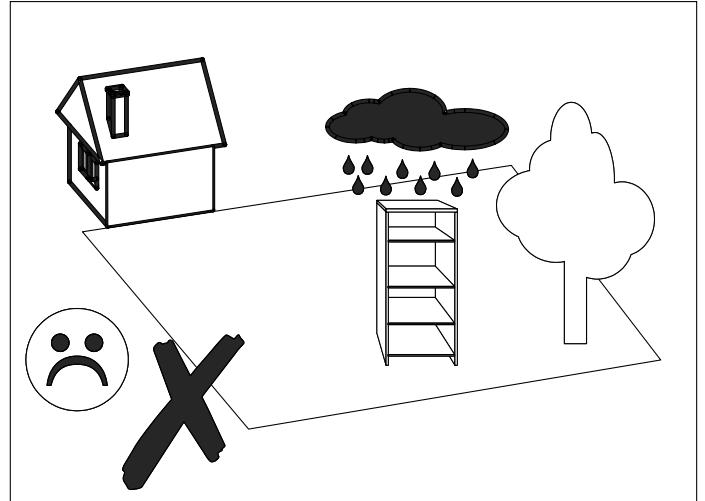
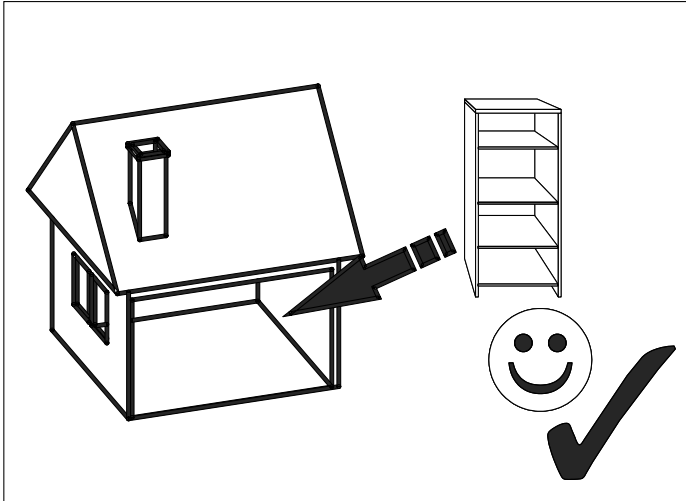
→ / ↗ / ↑
390/500/16



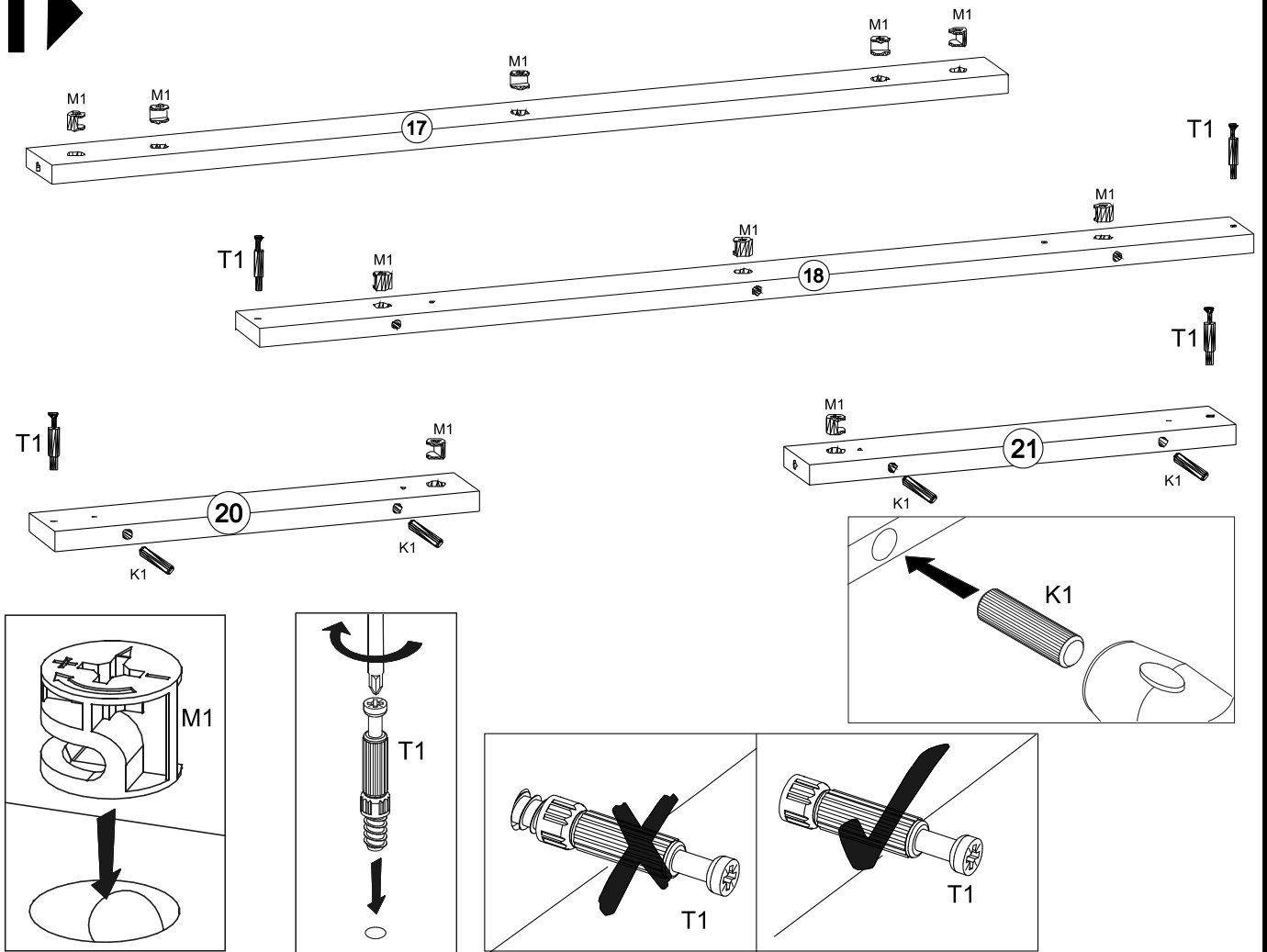
AT12 OPCJA;OPTION	26	395x500	1/1
	25	1737x896	2/3
	24	406x428	2/3
	23	470x60	2/3
	22	1722x60	2/3
	21	520x60	2/3
	20	520x60	2/3
	19	536x108	1/3
	18	882x60	2/3
	17	849x60	2/3
	16	536x60	2/3
	15	536x60	2/3
	14	915x60	2/3
	13	413x124	1/3
	12	400x136	1/3
	11	400x136	1/3
	10	500x196	3/3
	9	1279x500	3/3
	8	1735x380	3/3
	7	470x108	2/3
	6	470x502	1/3
	5	882x537	1/3
	4	1722x502	2/3
	3	1738x537	2/3
	2	1738x537	2/3
	1	916x556	1/3

6x WS1	2x 4x13 WP4	1x LK008121S t1	12x OPCJA OPTION AT12 		
20x ZN1 #20/981	22x 3.5x16 W3	14x ST1	2kpl. PK3 #350	14x 3x20 W9	6x ZC90
8x 6.4x50 K5	36x 8x30 K1	4x Z10	1x K20	46x M1 #15/15	46x DU232T T1
				12x 3.5x20 W8	21x 2x20 G1
					4x N1
					16x 5x11 E1

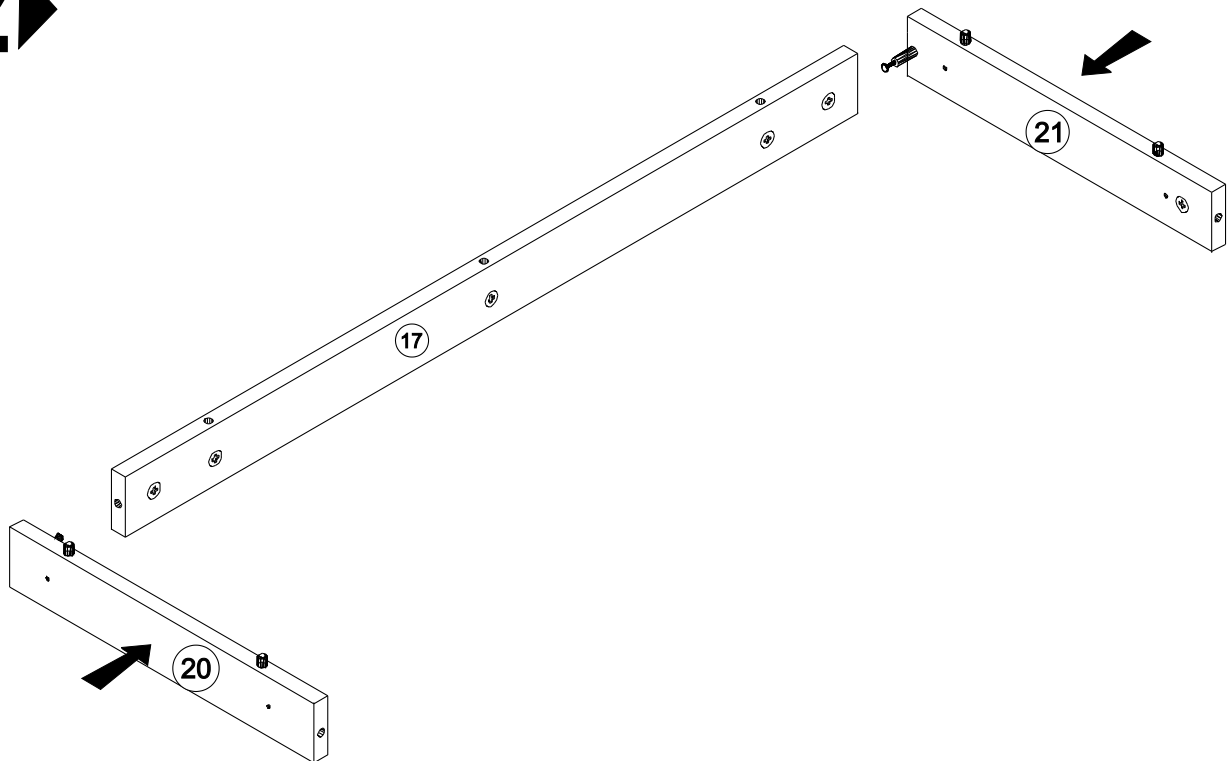




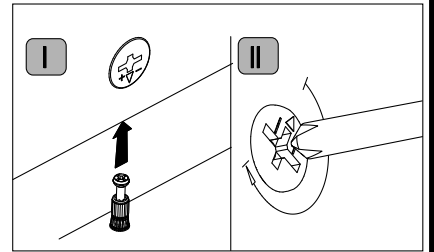
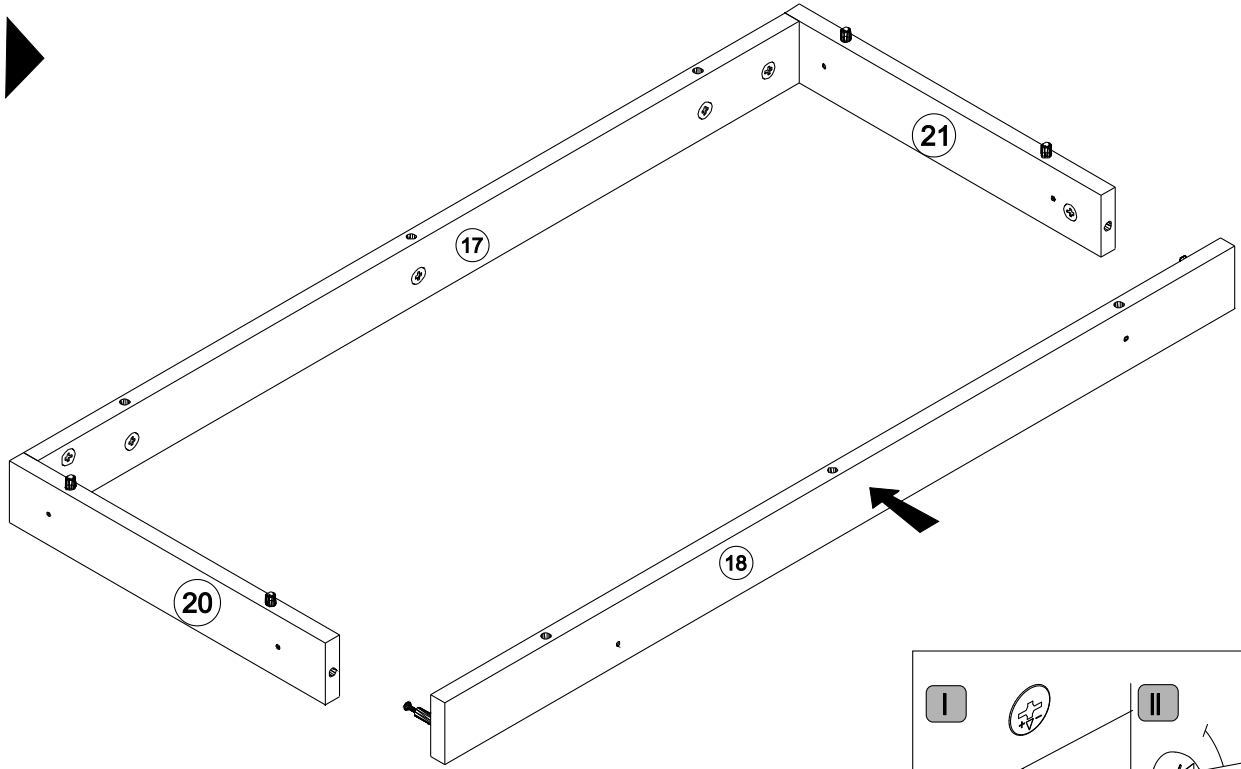
1



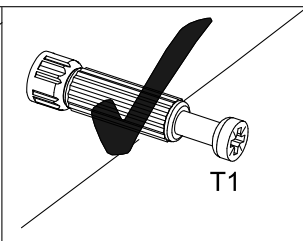
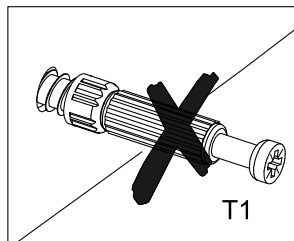
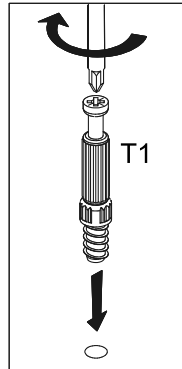
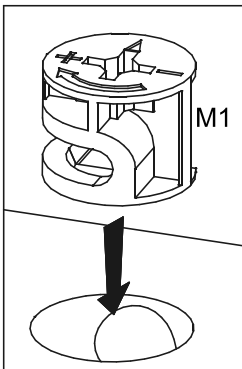
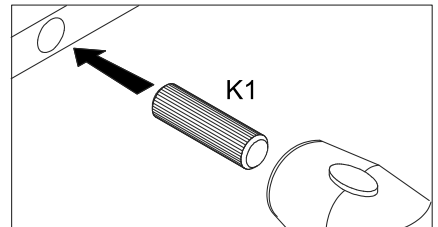
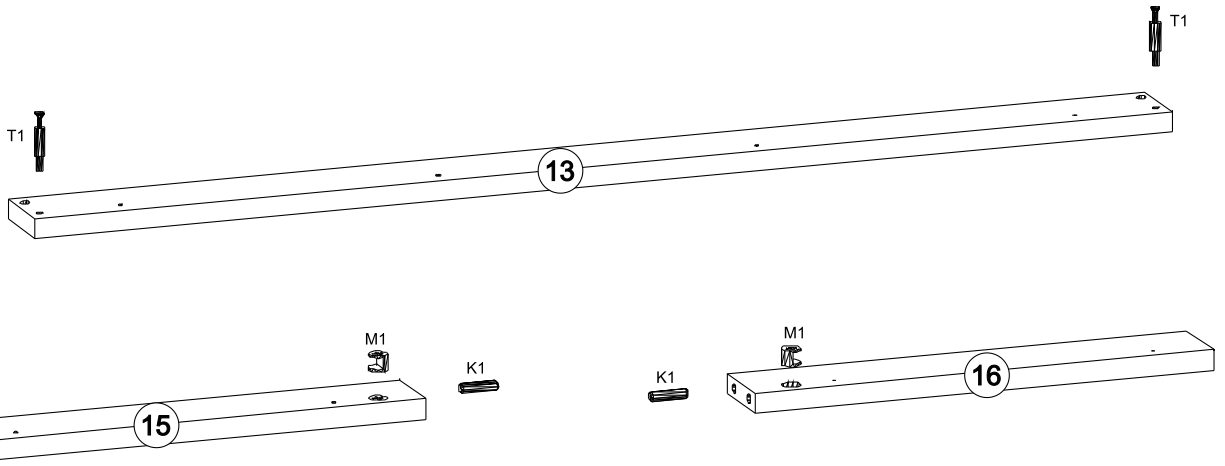
2



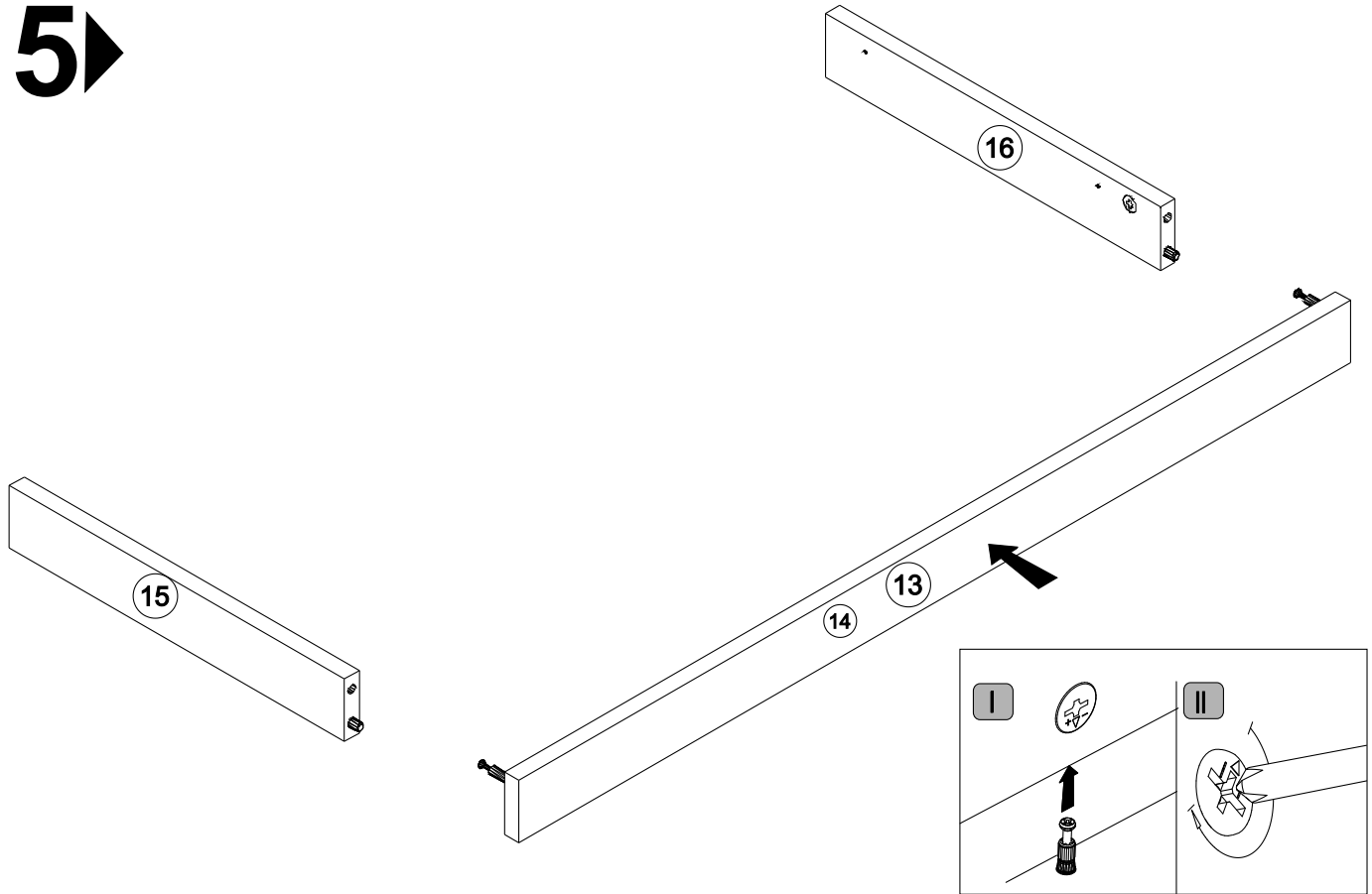
3



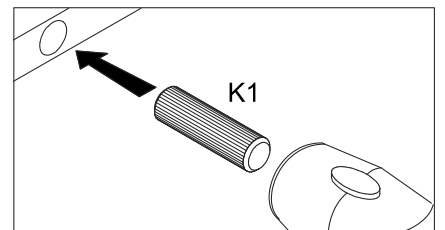
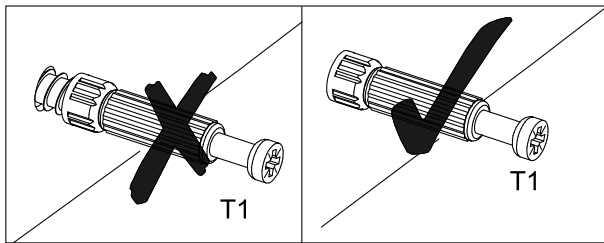
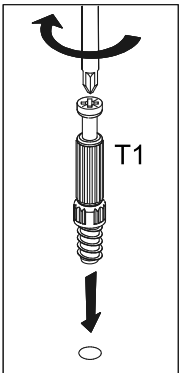
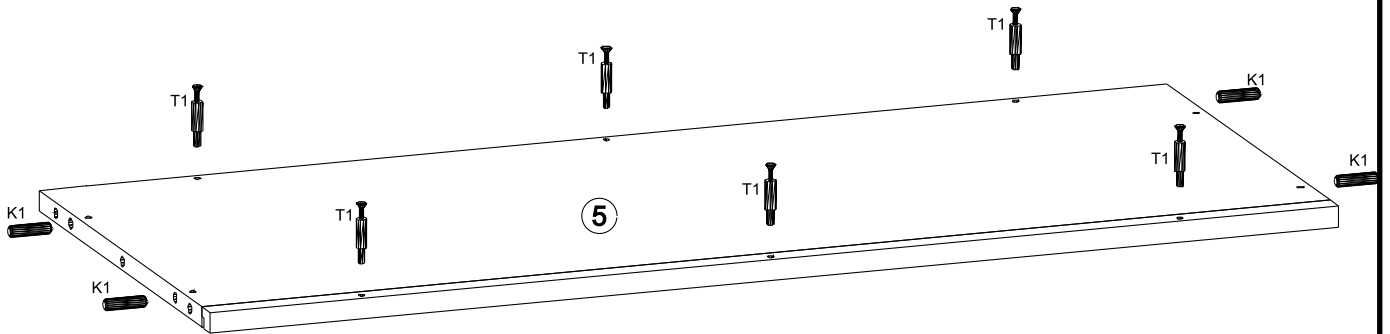
4



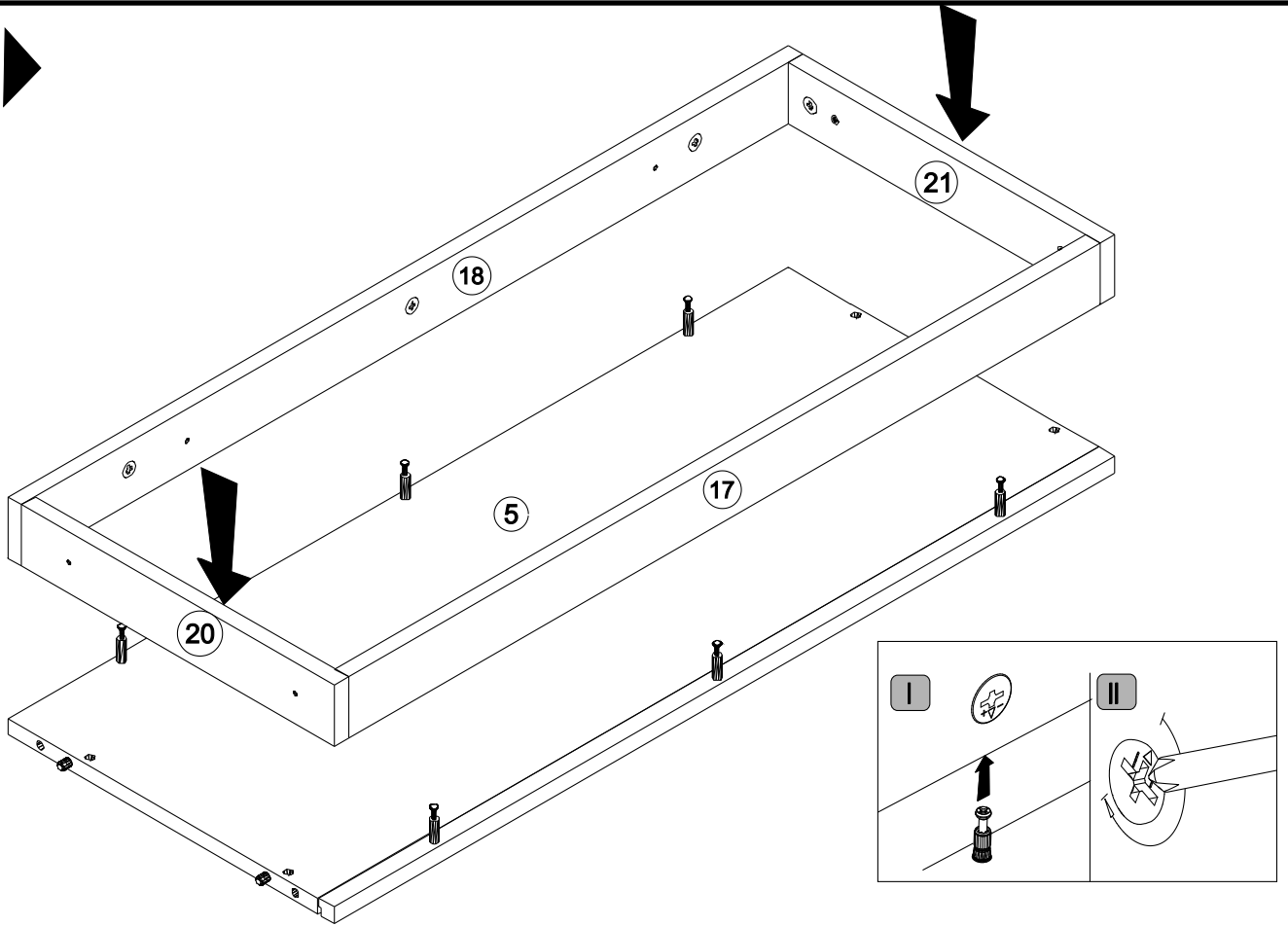
5



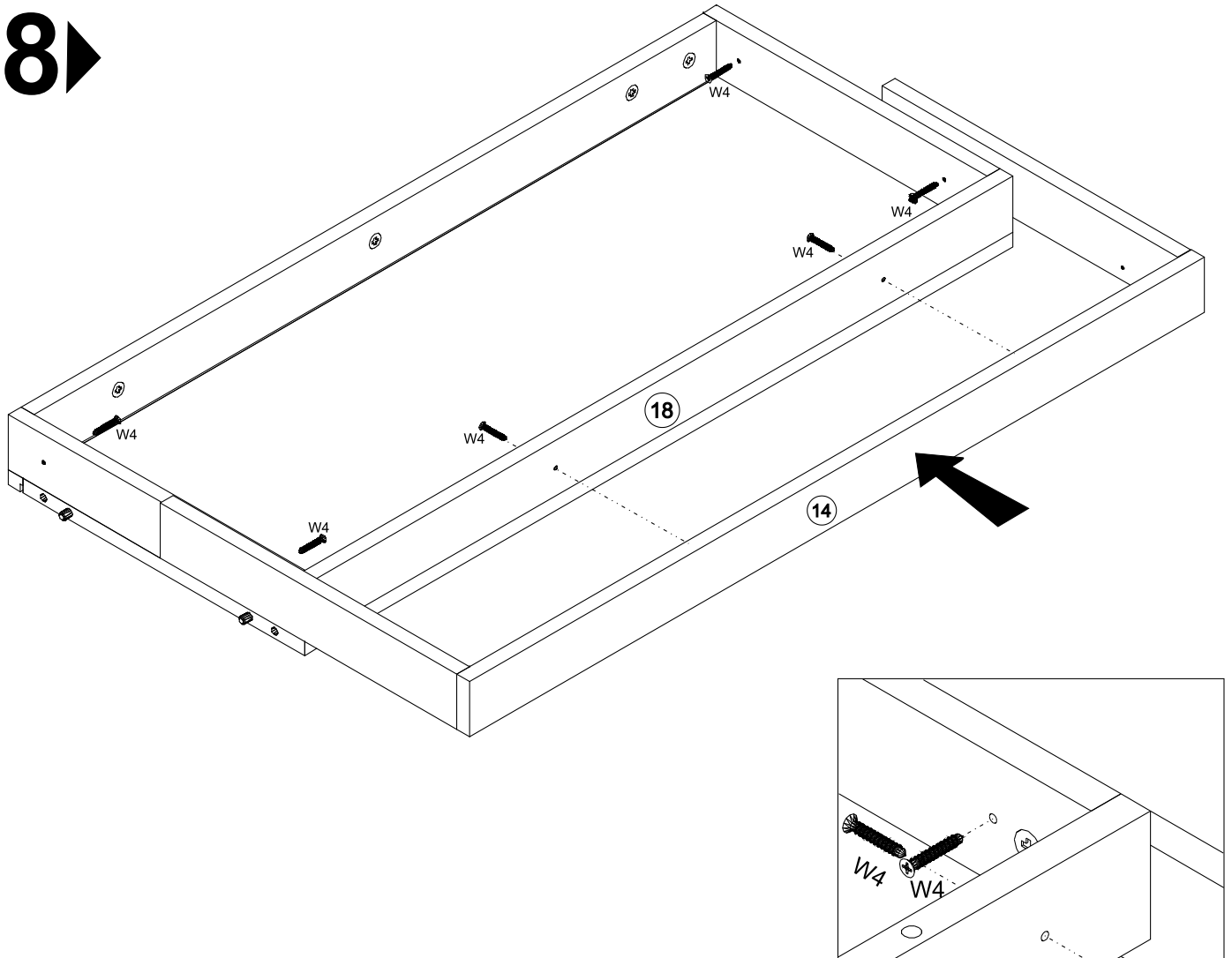
6



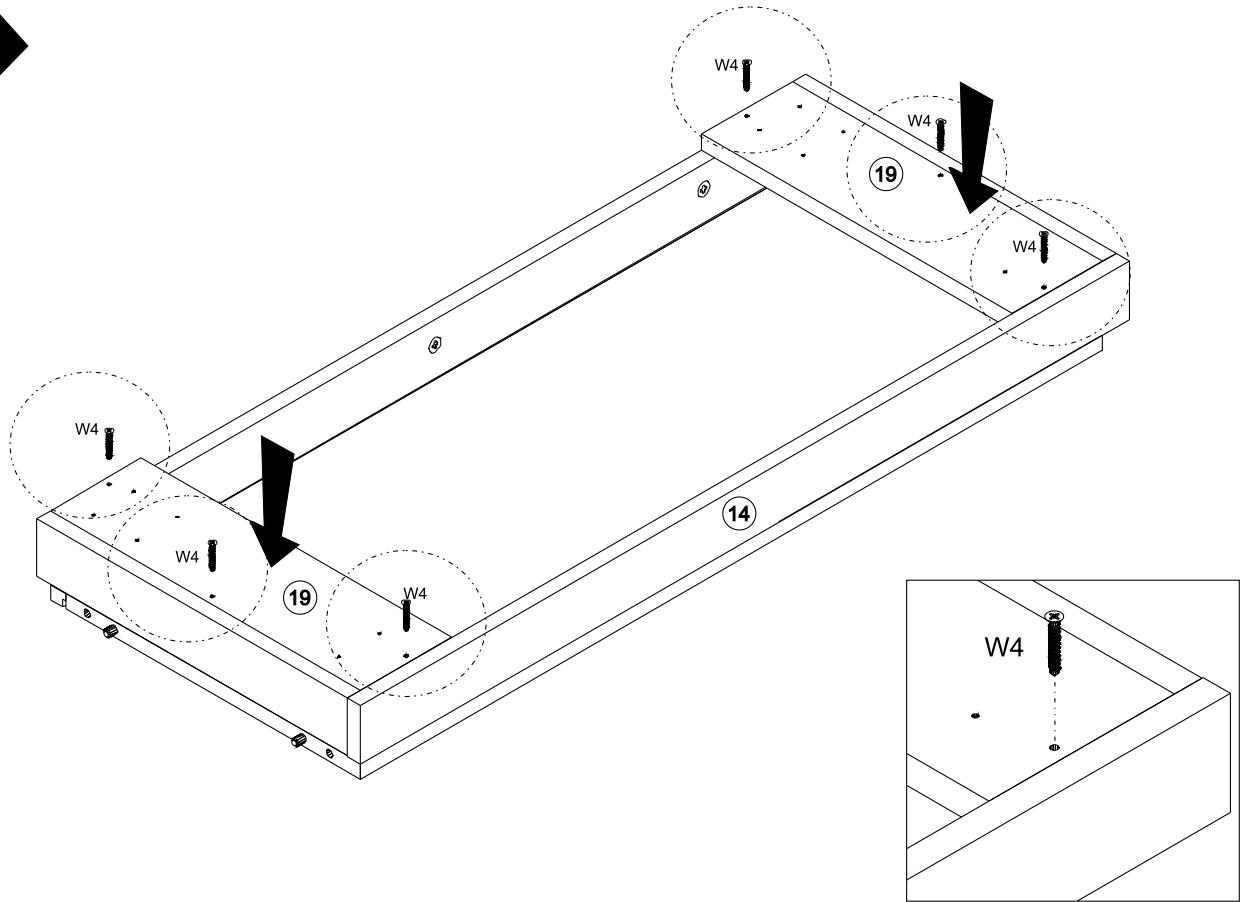
7



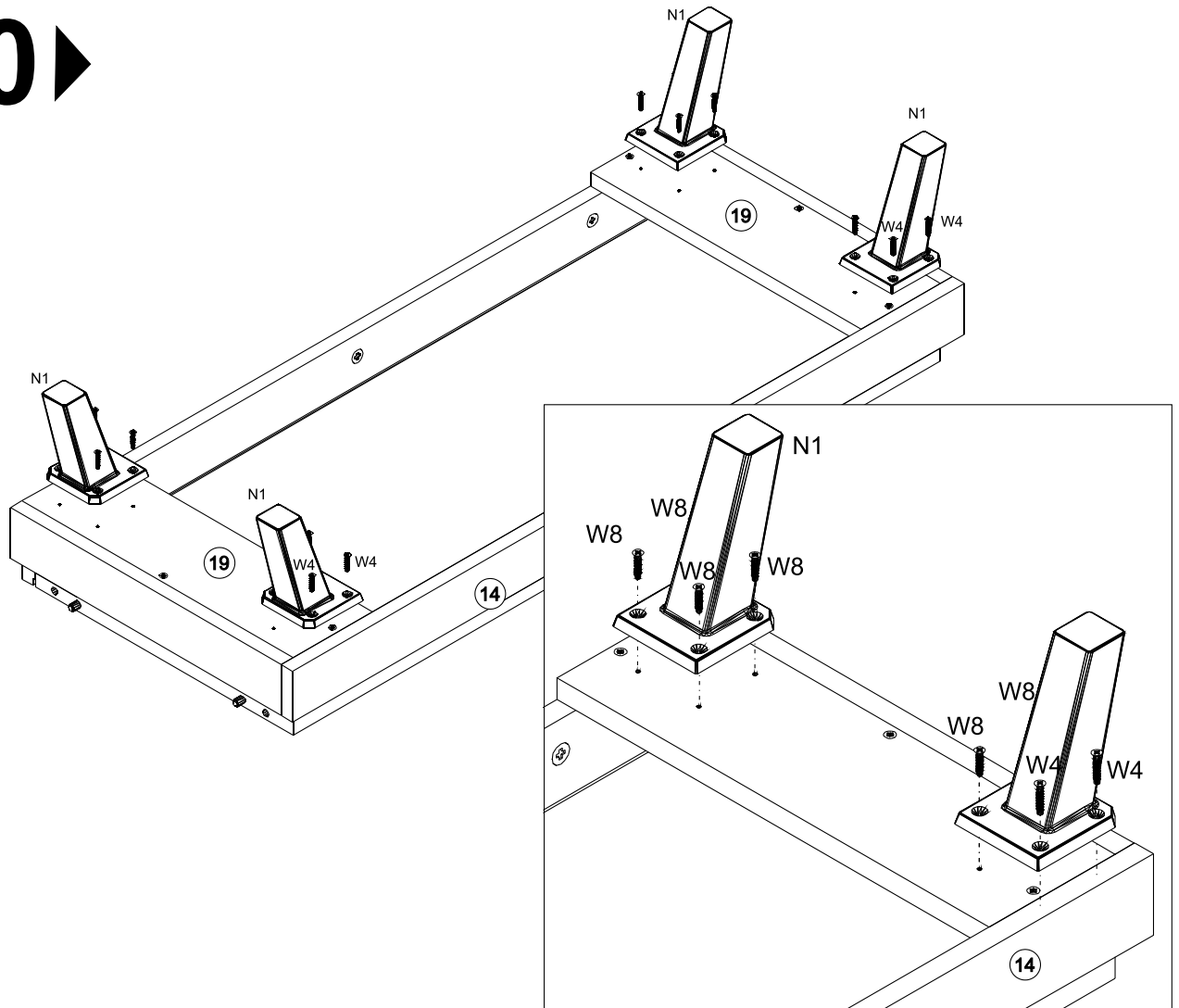
8



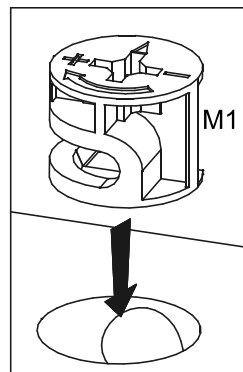
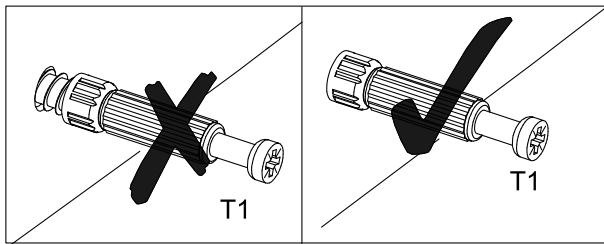
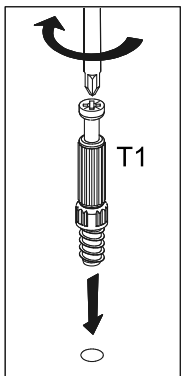
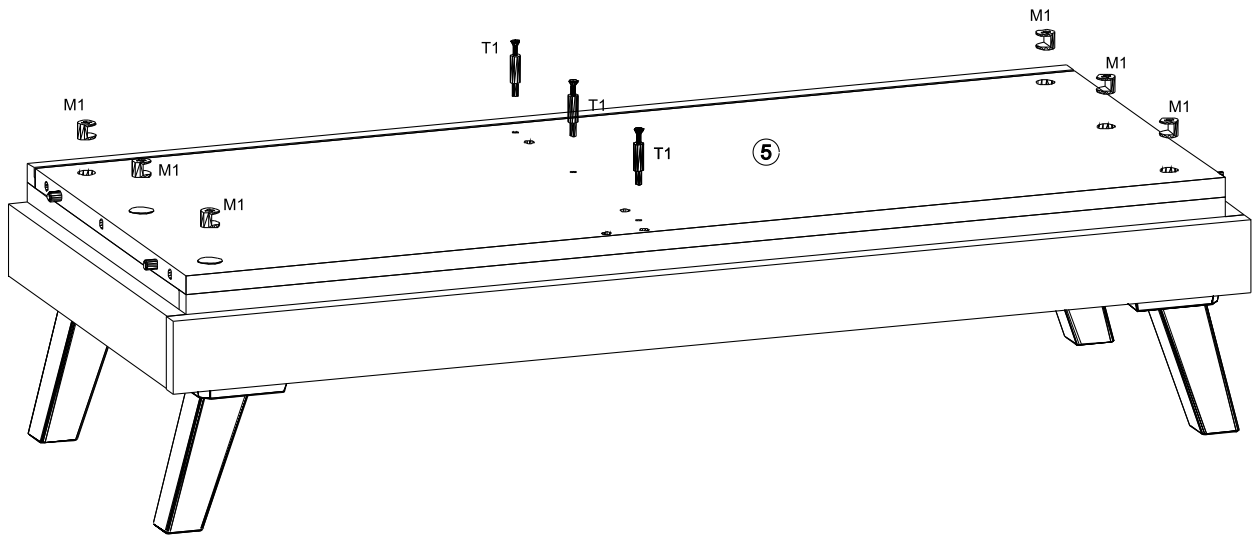
9 ▶



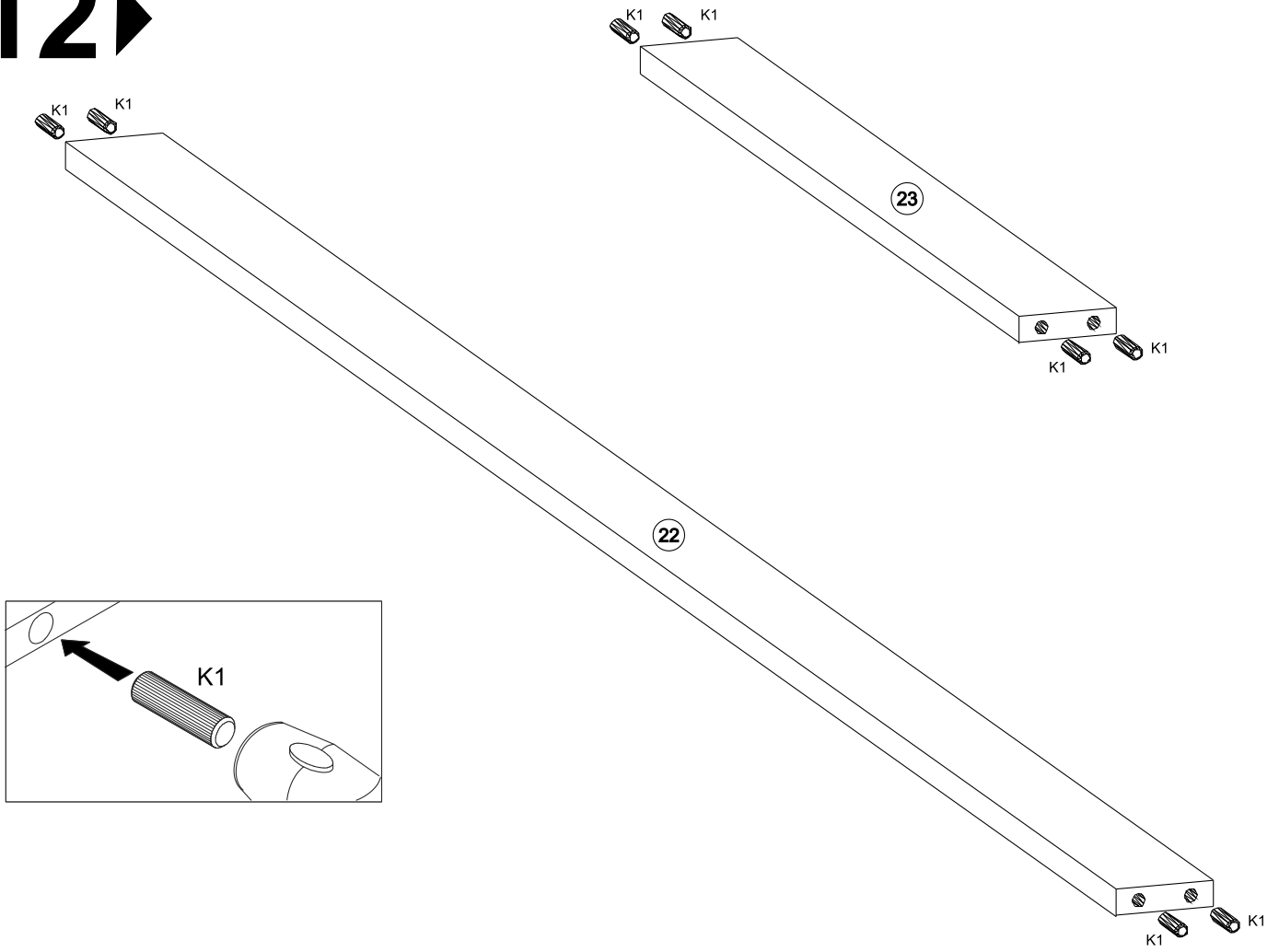
10 ▶



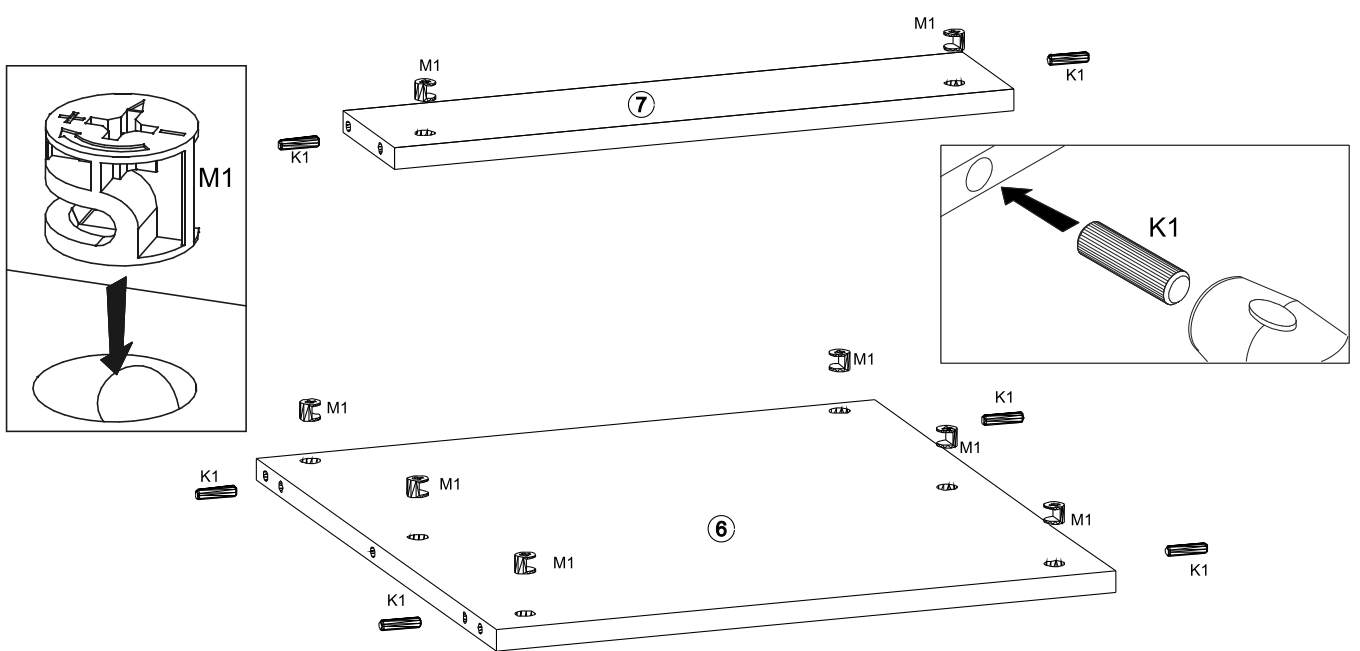
11 ▶



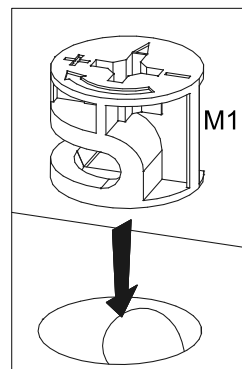
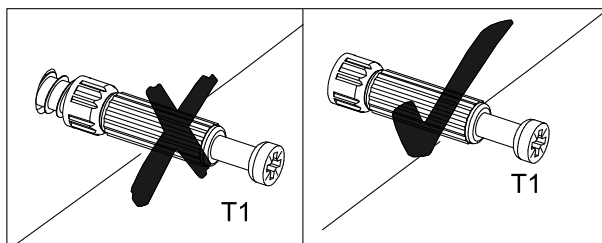
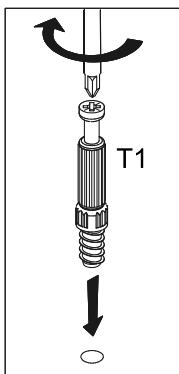
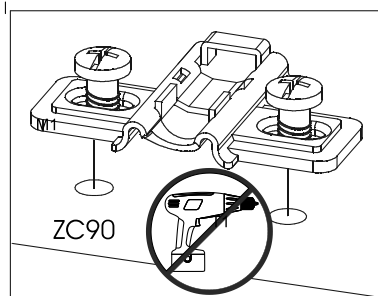
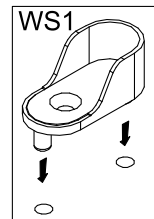
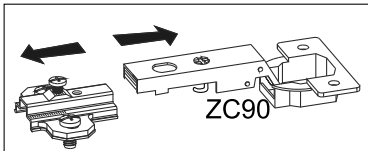
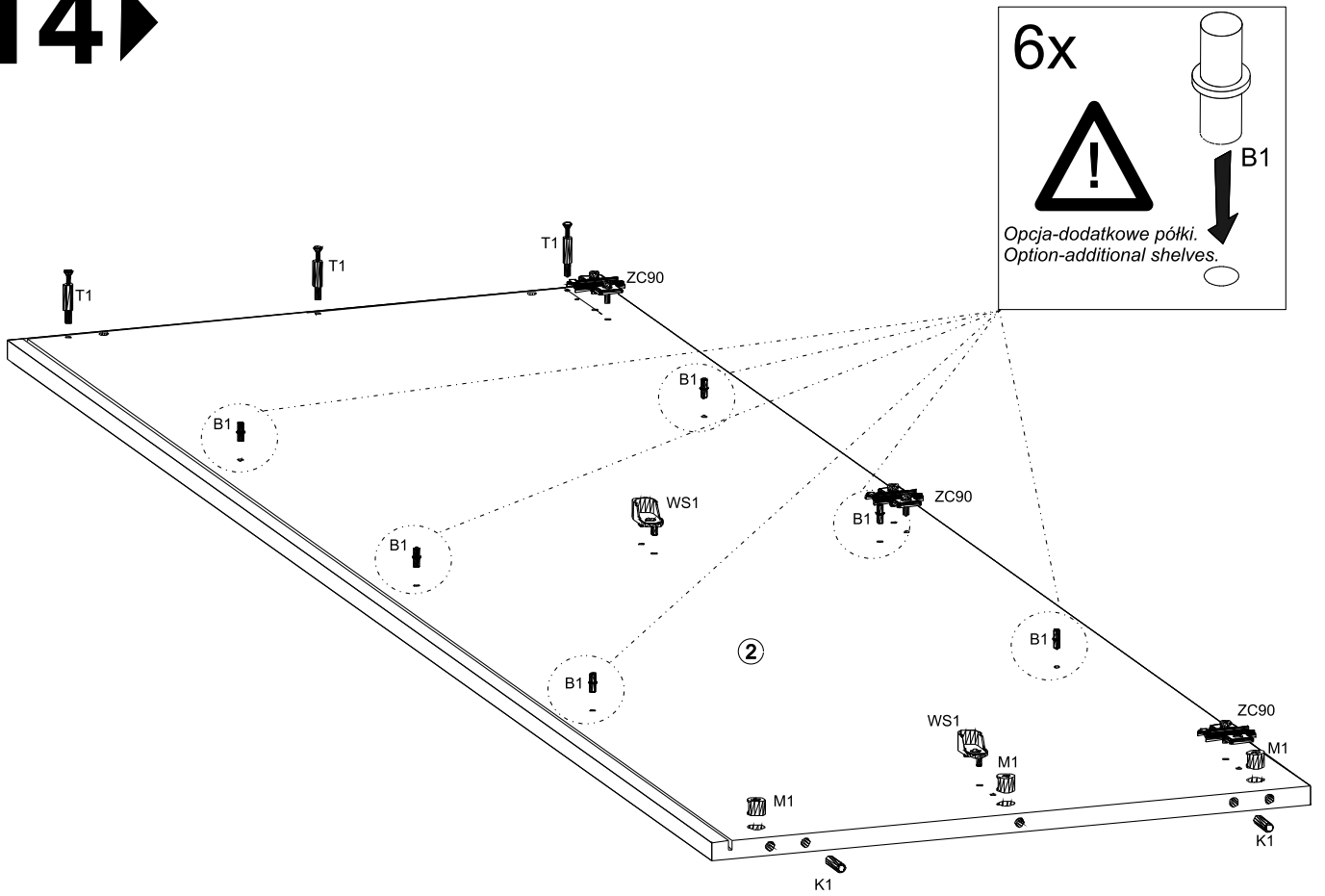
12 ▶



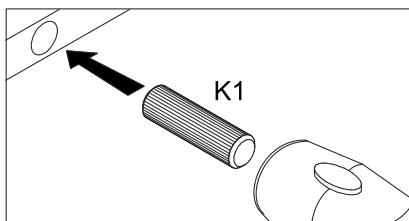
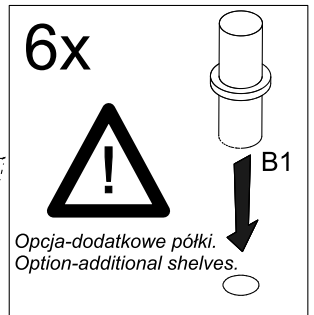
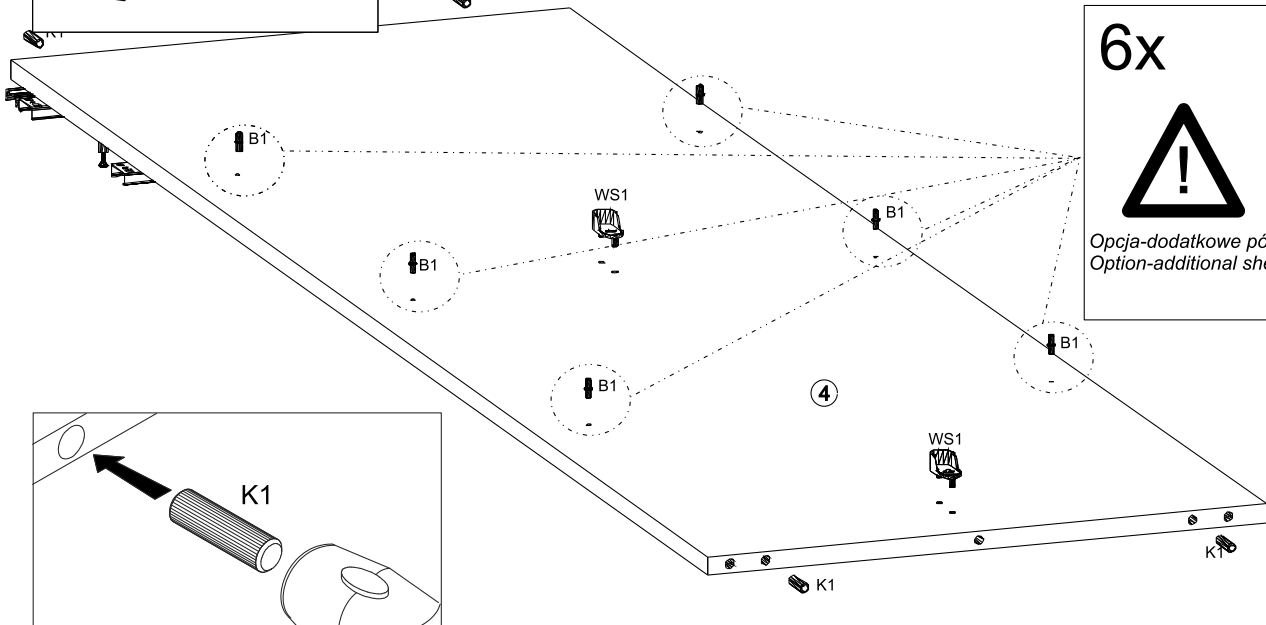
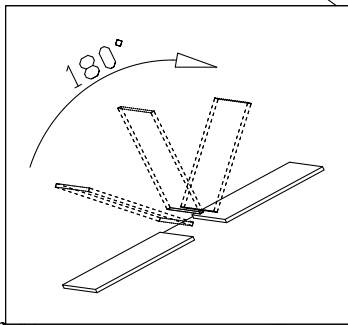
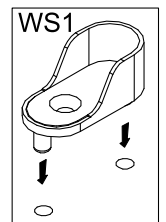
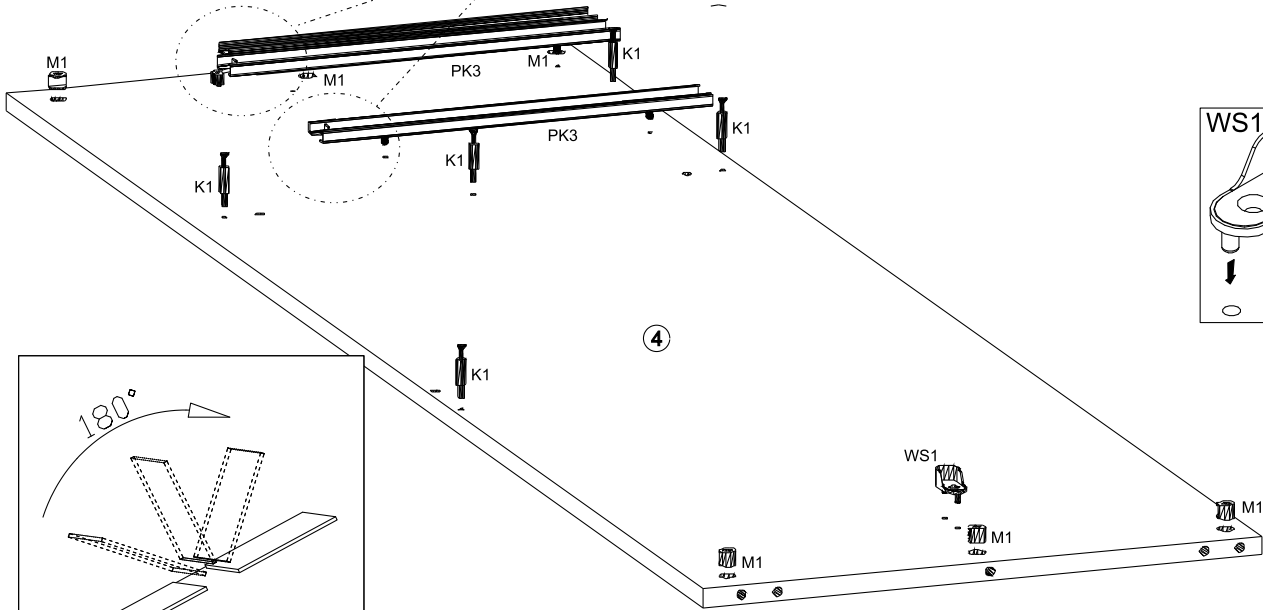
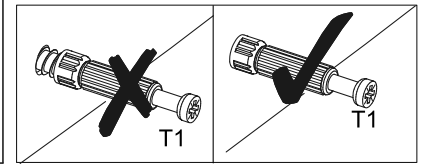
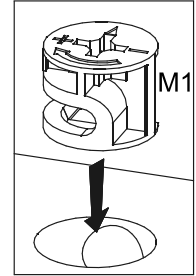
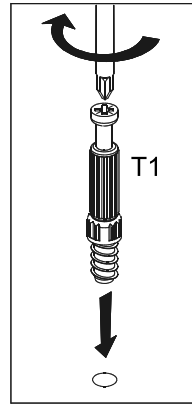
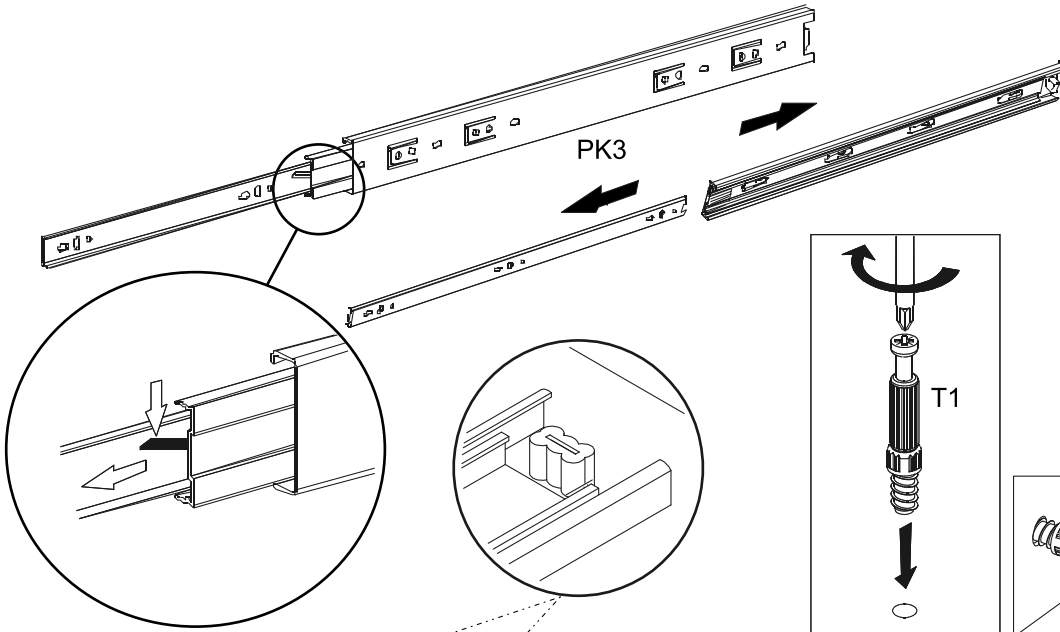
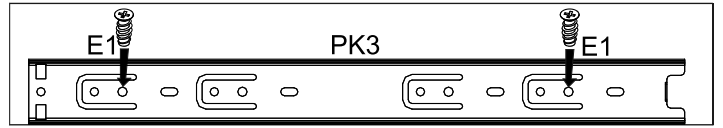
13 ▶



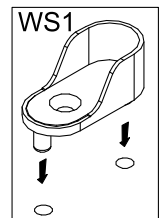
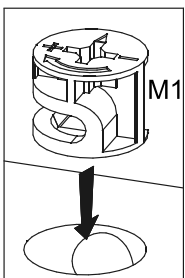
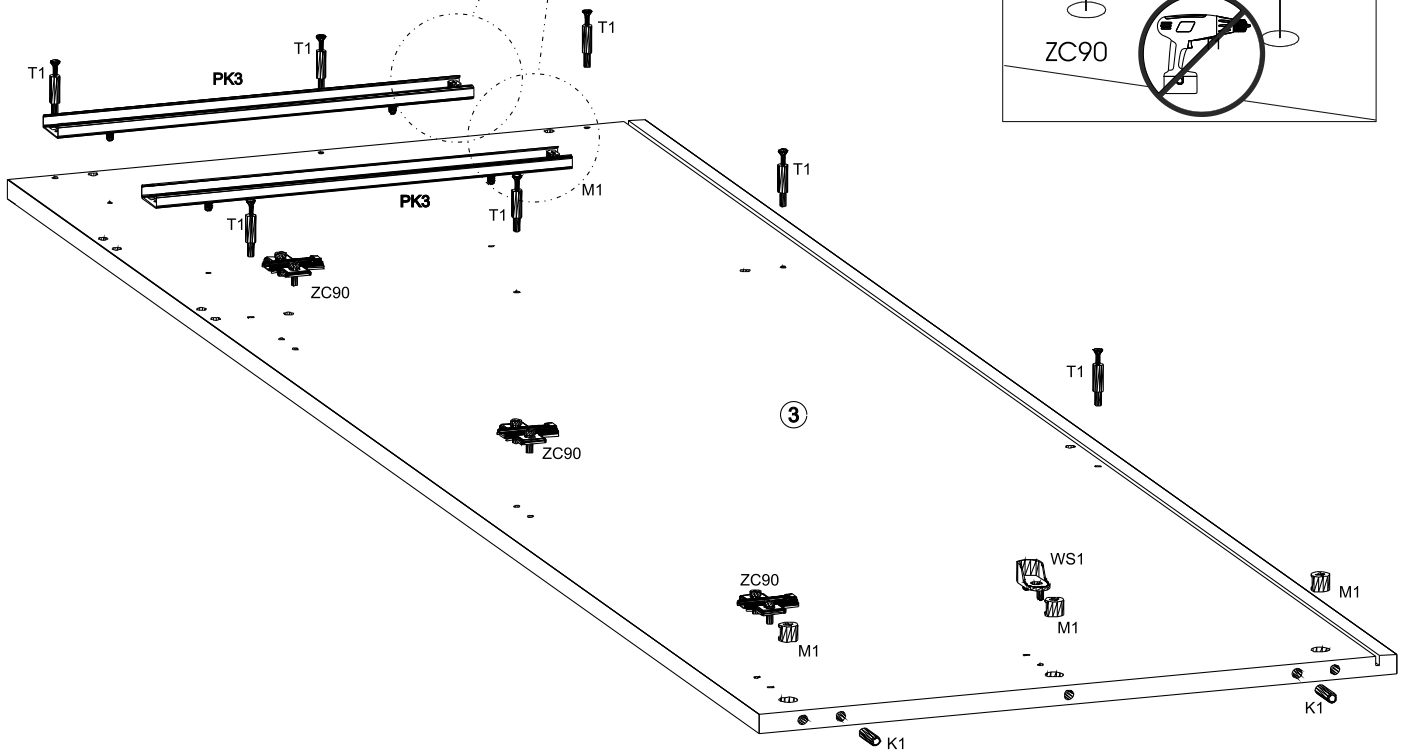
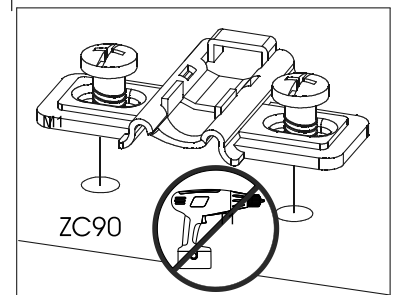
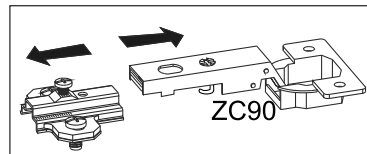
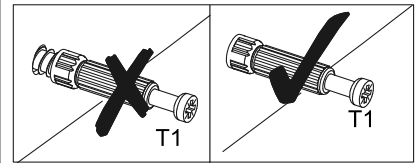
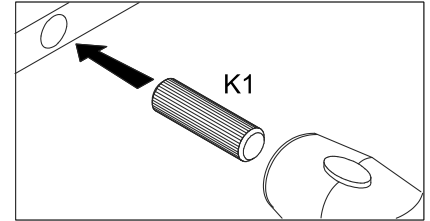
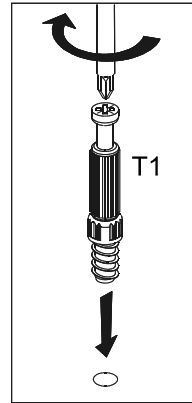
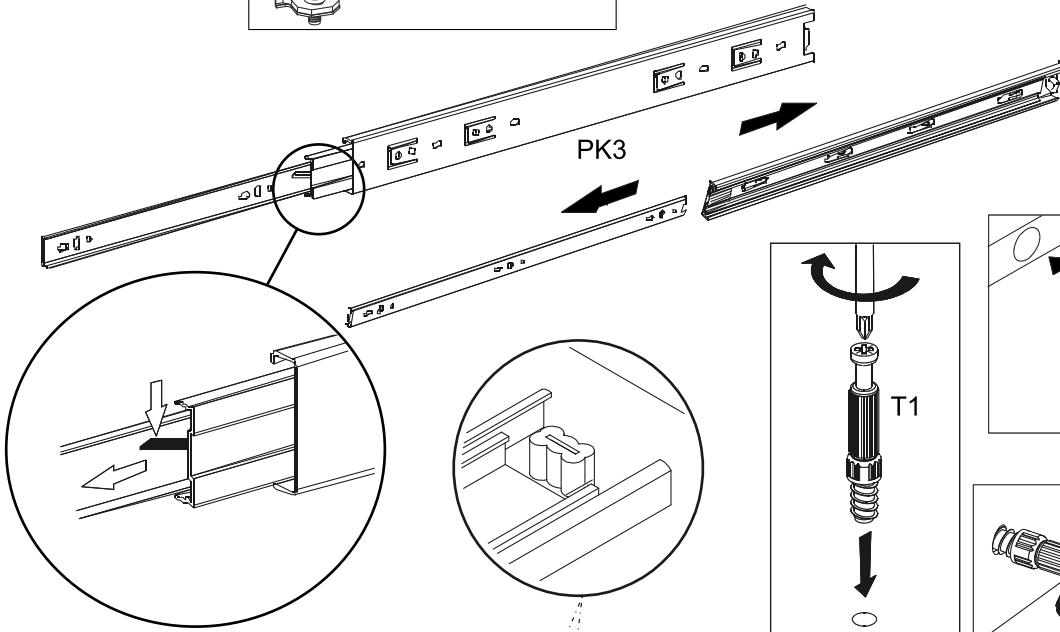
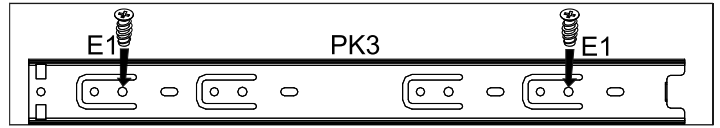
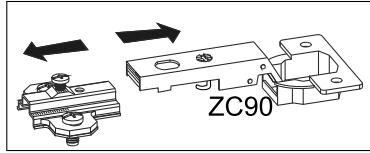
14 ▶



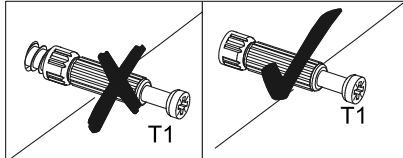
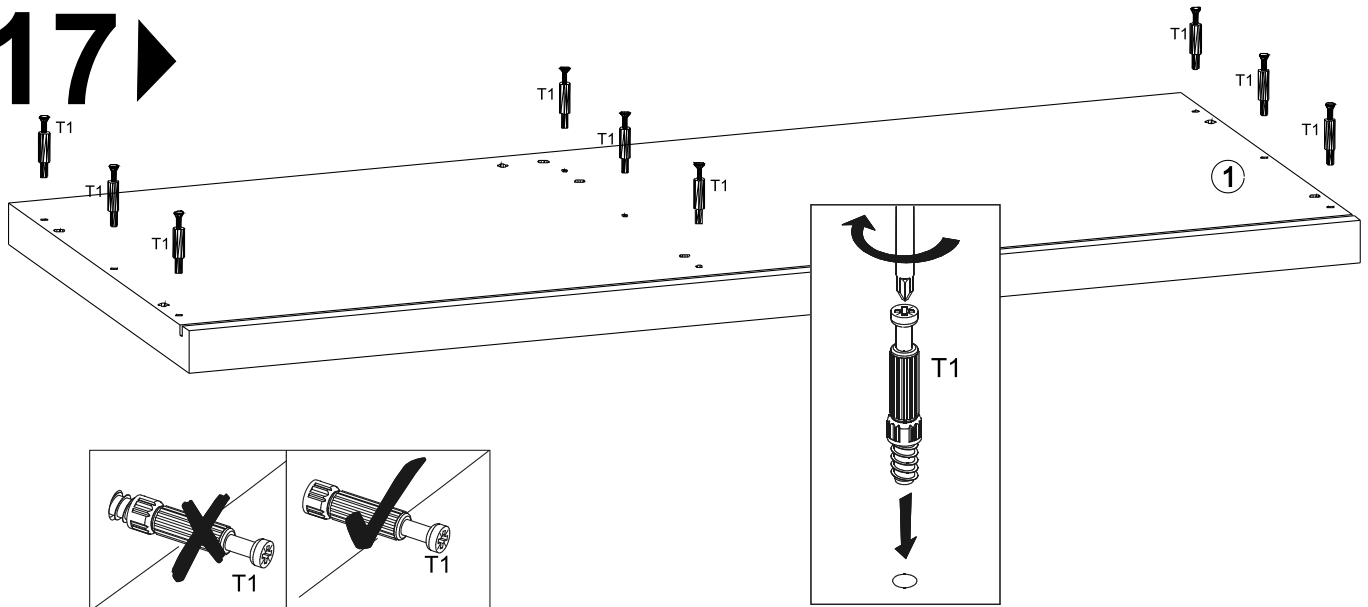
15 ▶



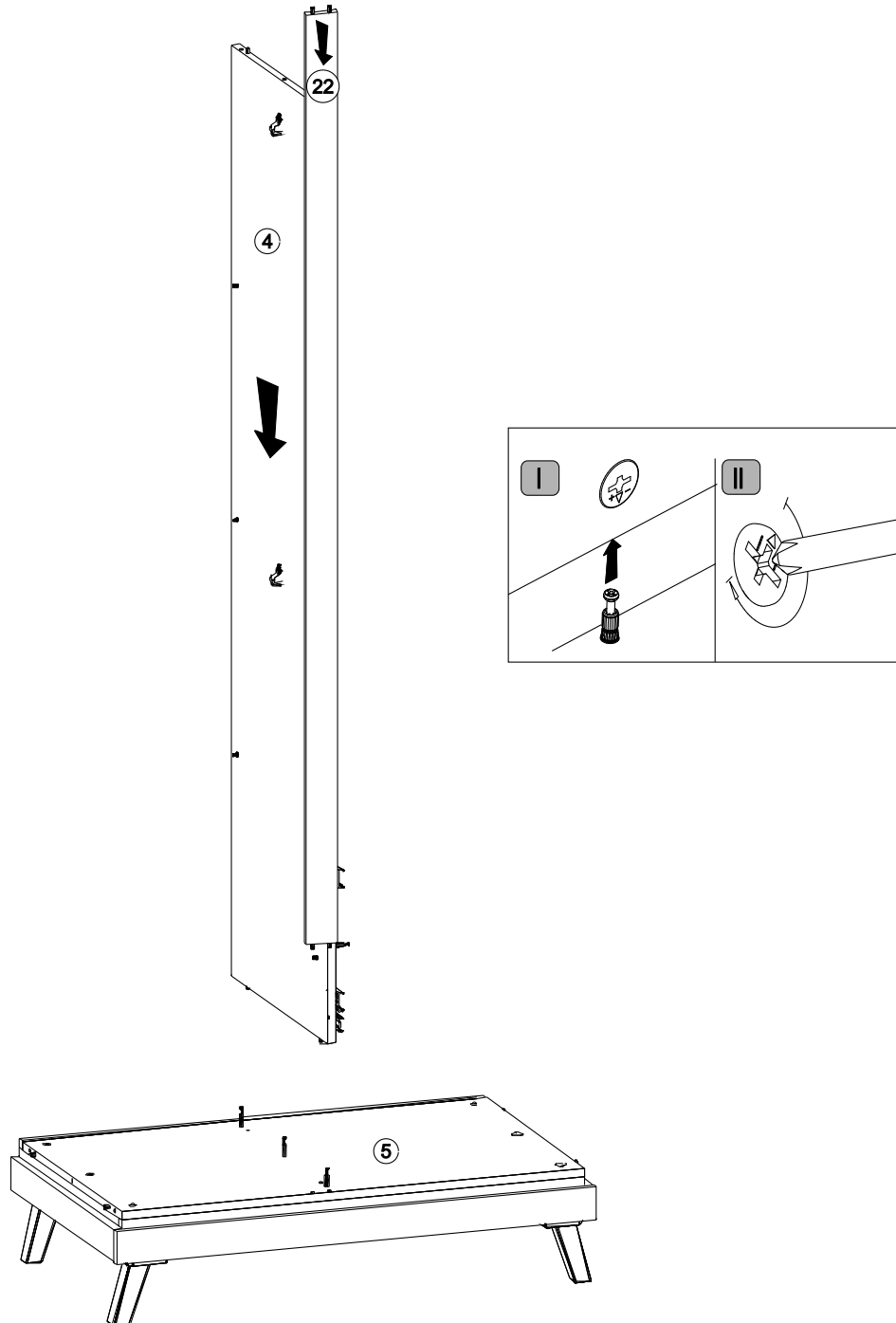
16 ▶



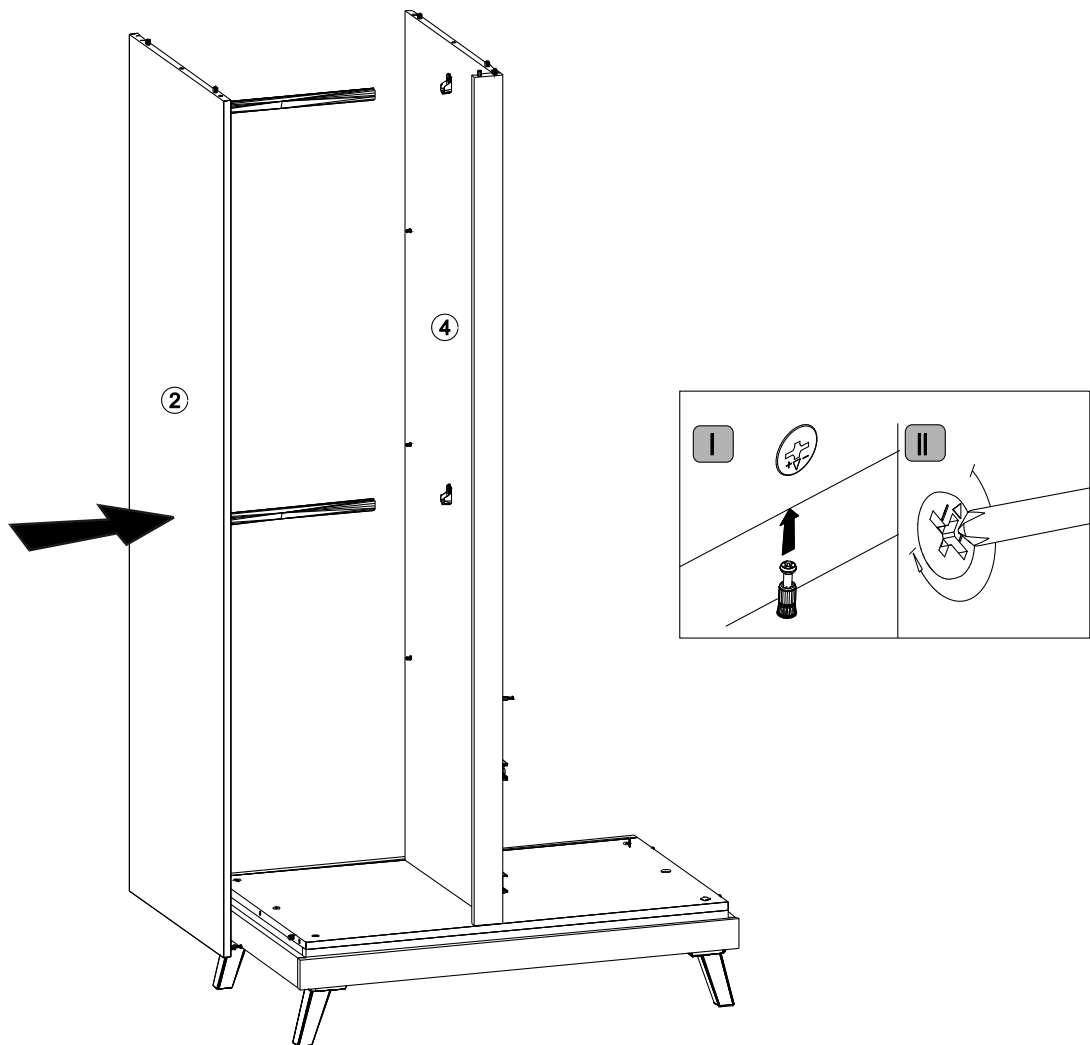
17 ▶



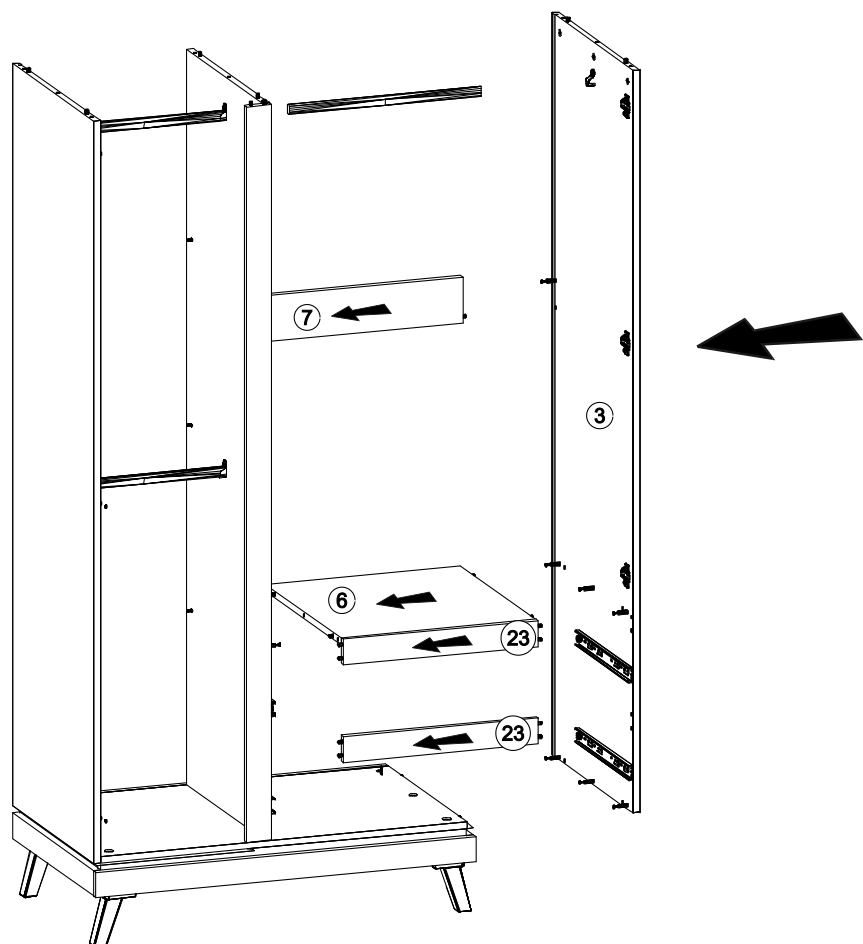
18 ▶



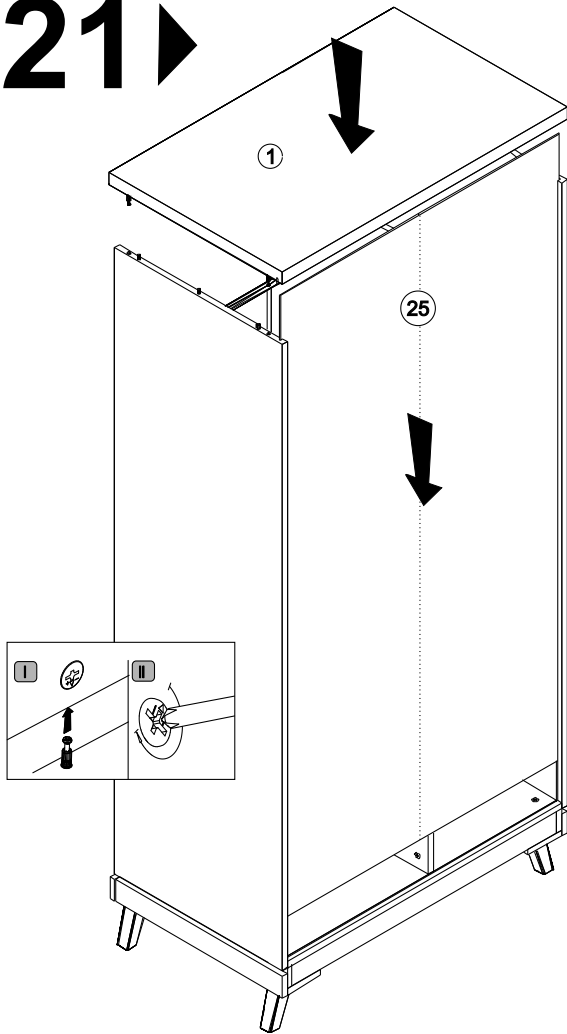
19 ▶



20 ▶

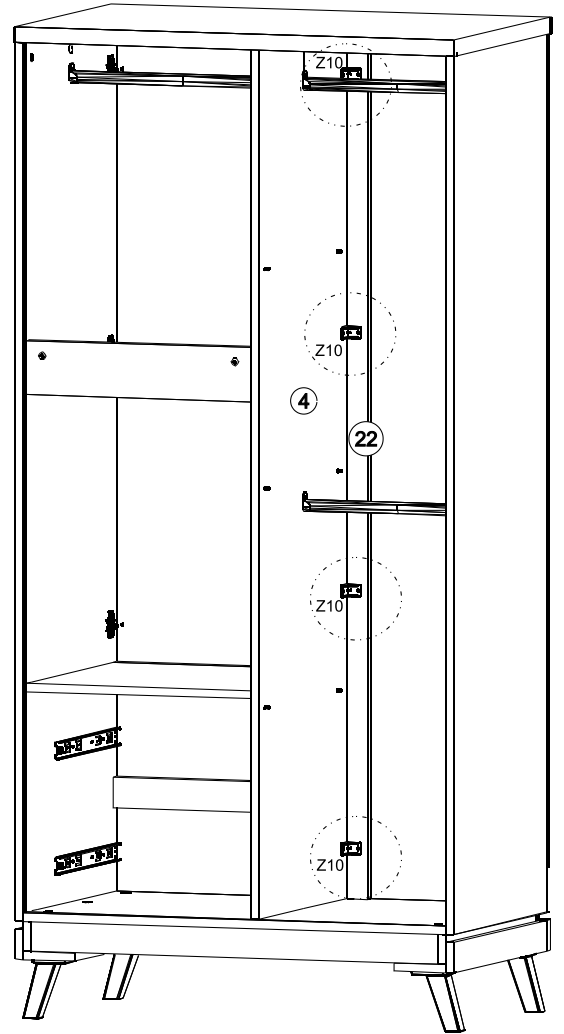
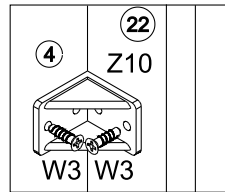


21 ▶

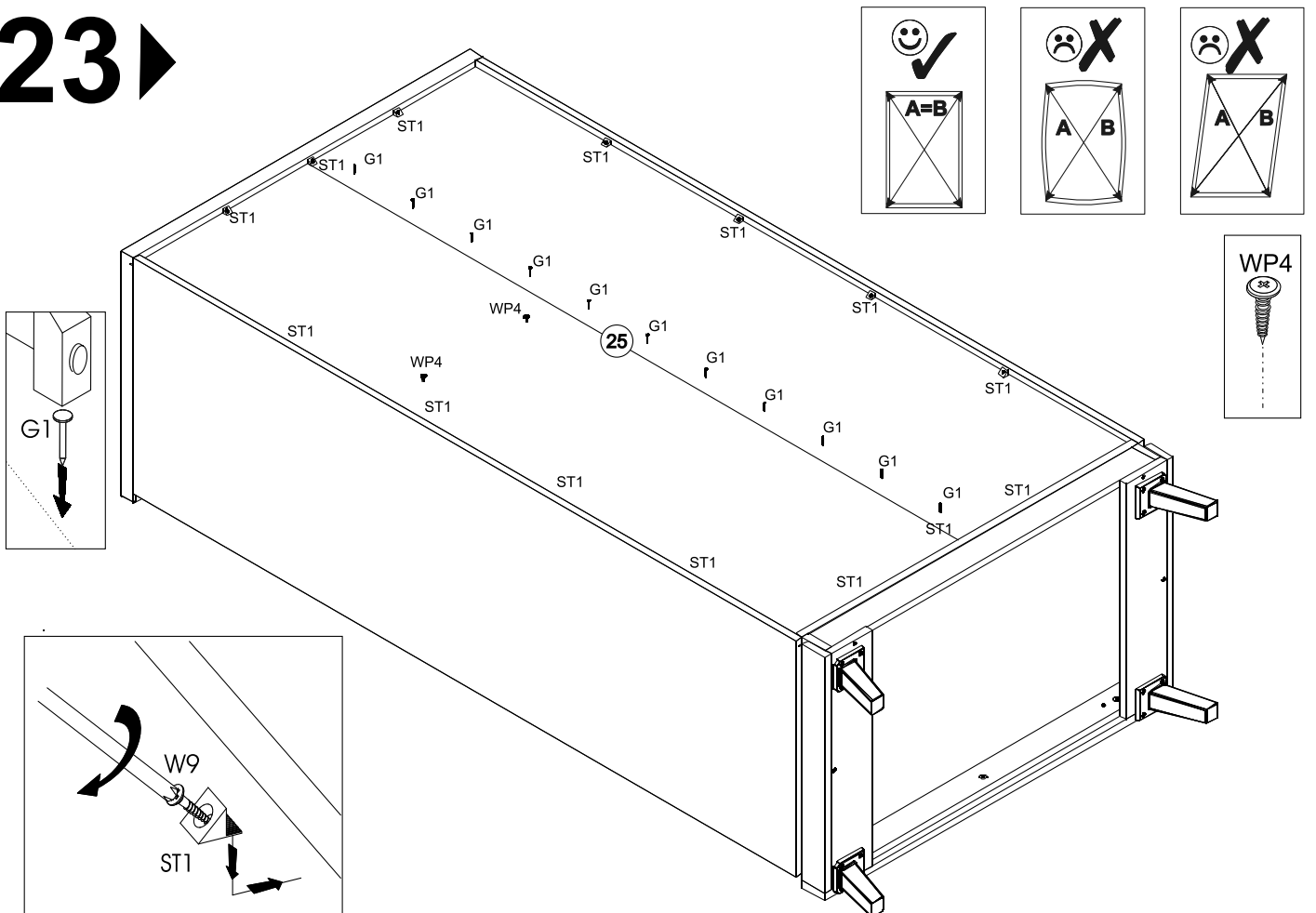


22 ▶

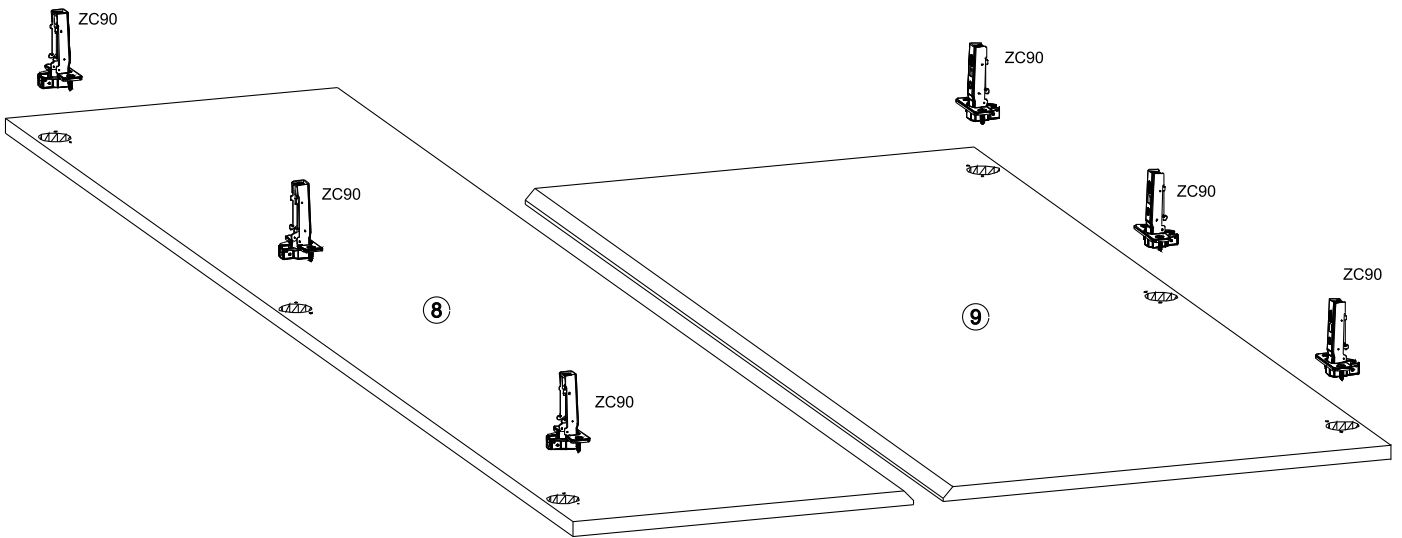
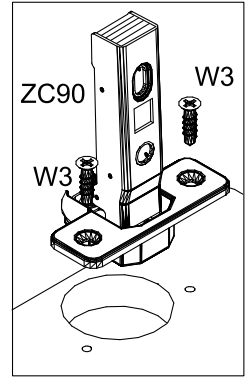
WIDOK Z TYŁU !
REAR VIEW !



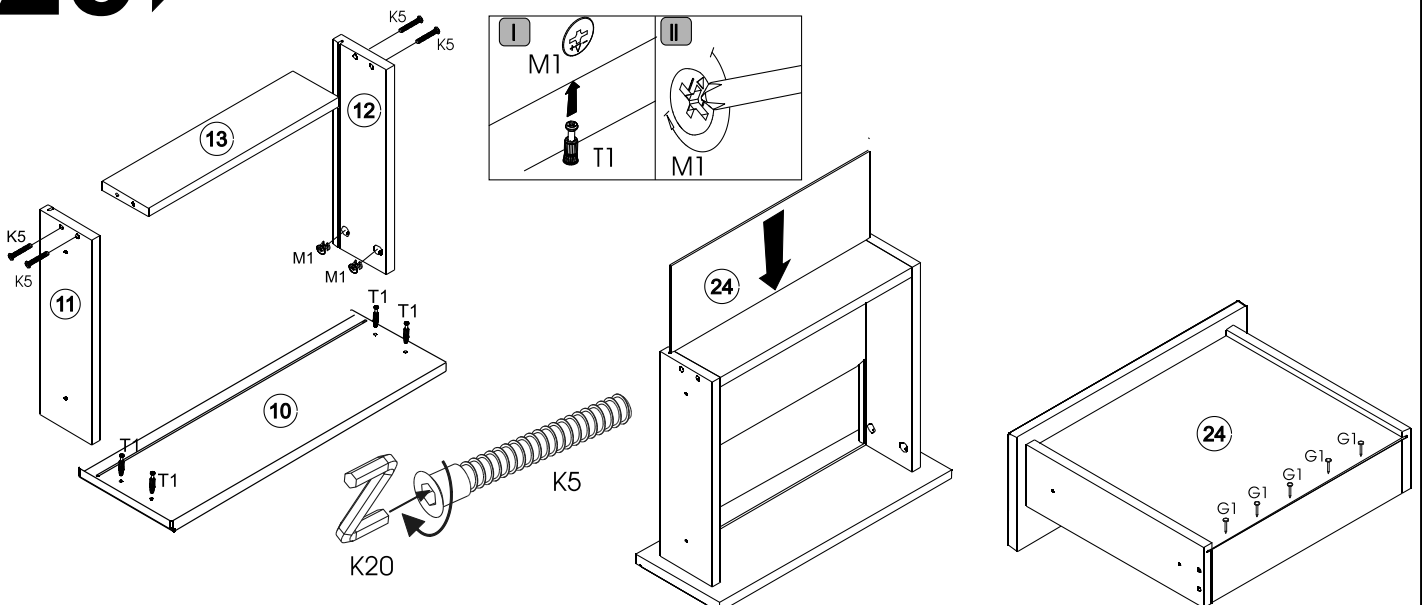
23 ▶



24 ▶



25 ▶



26 ▶

