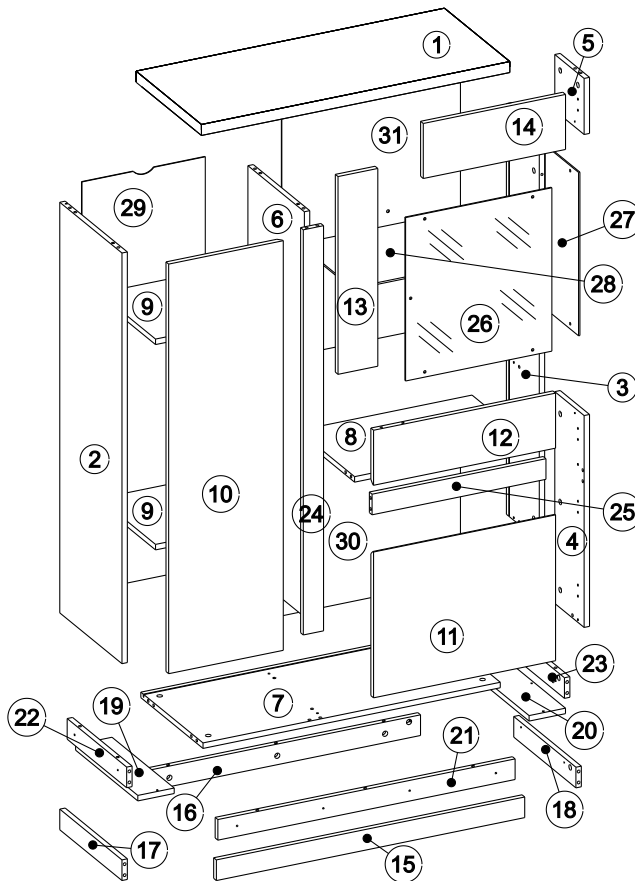
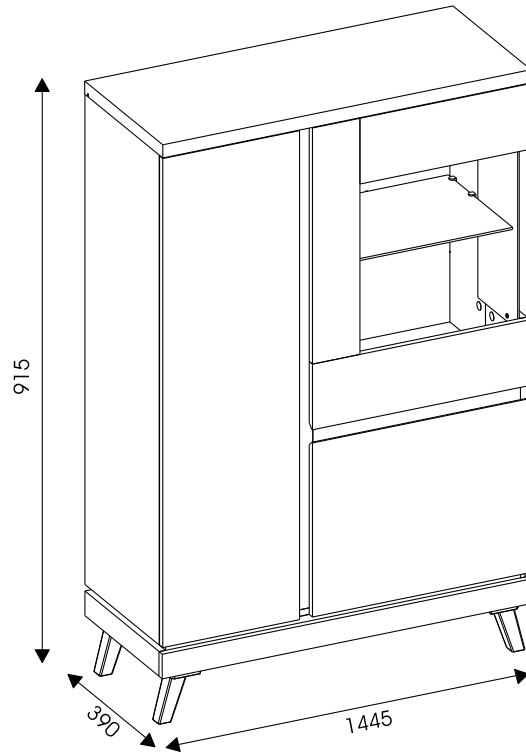
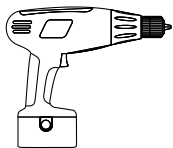
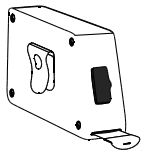
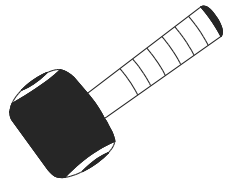
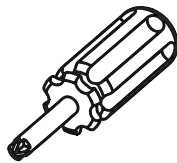
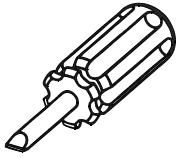
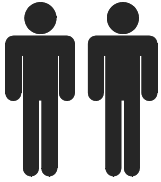
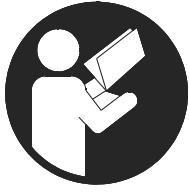
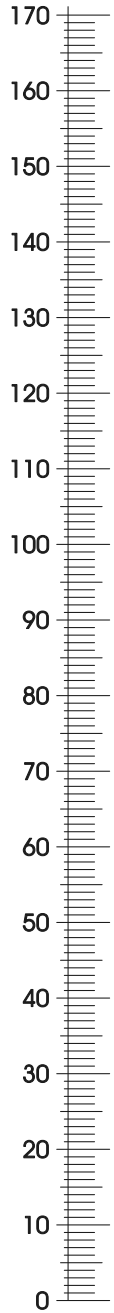


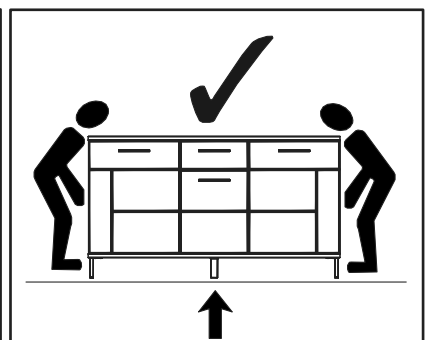
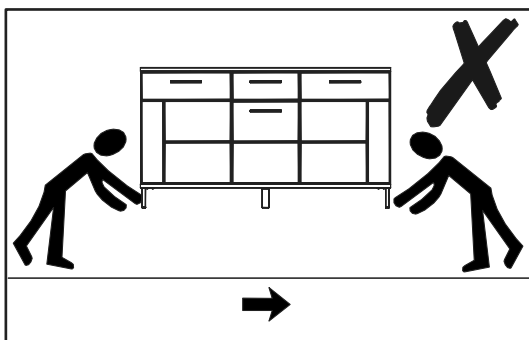
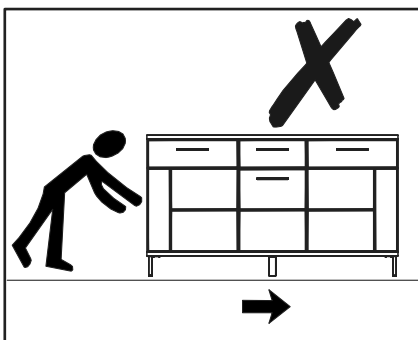
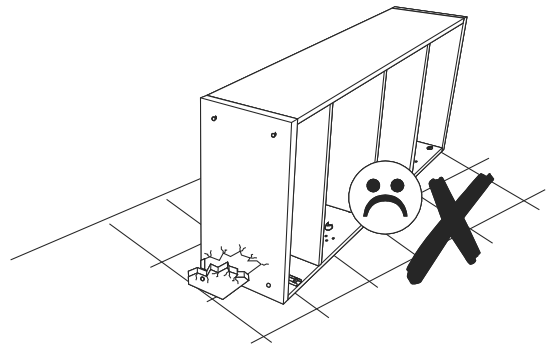
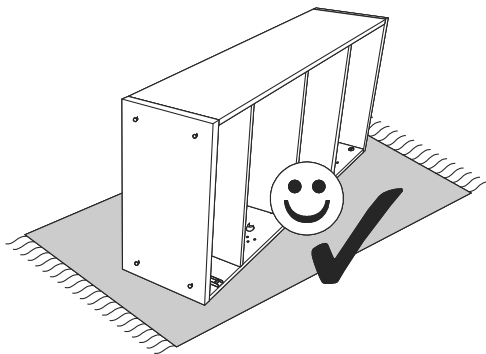
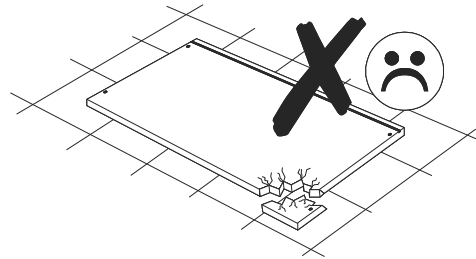
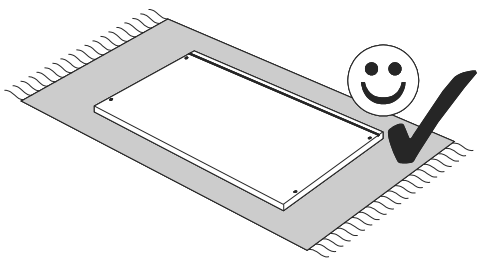
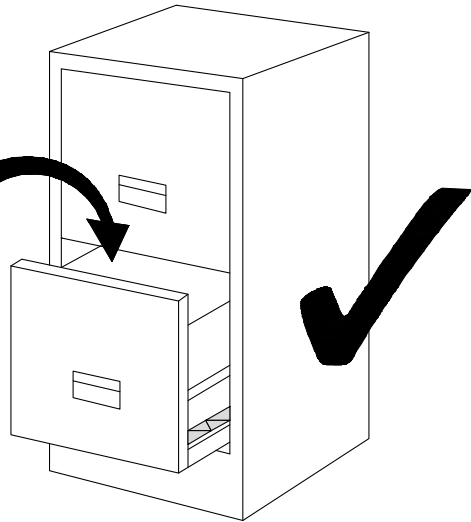
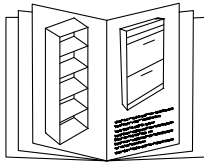
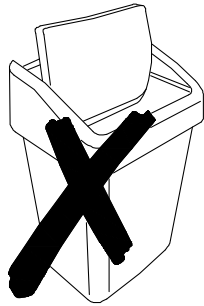
MODELL: ATO4

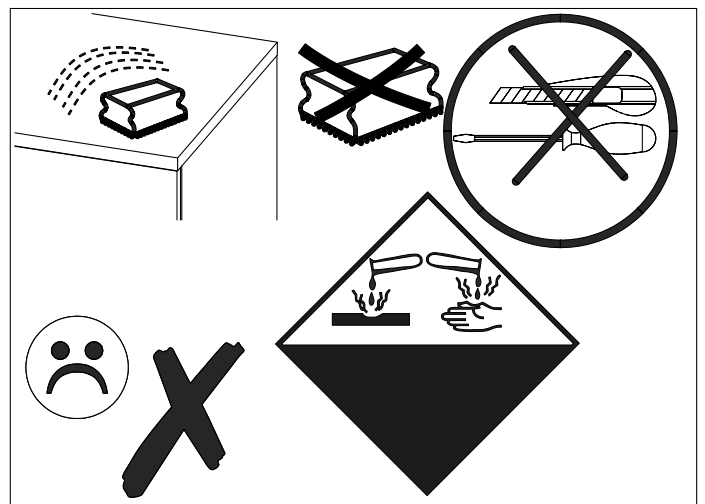
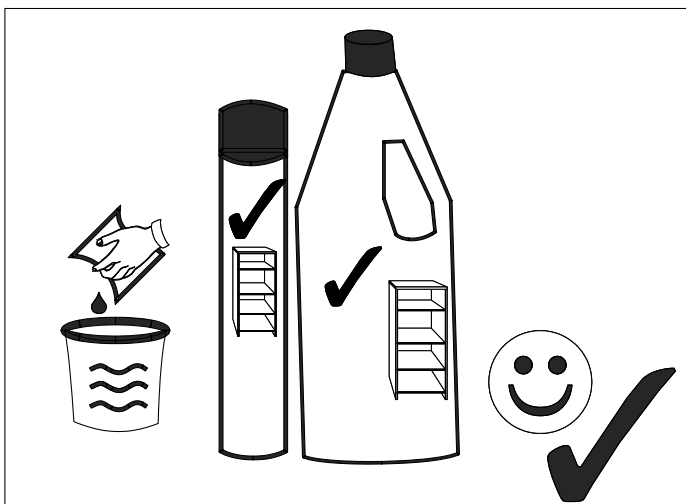
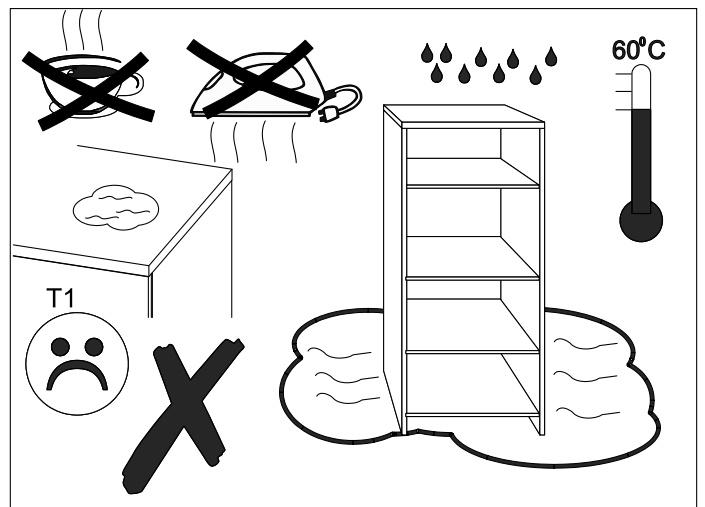
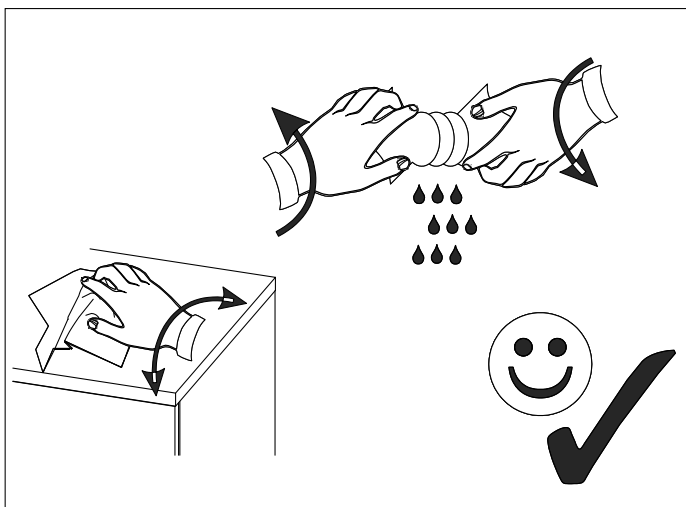
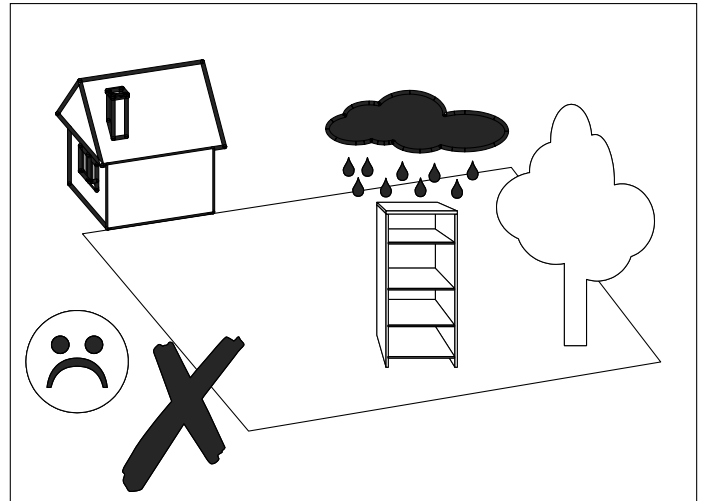
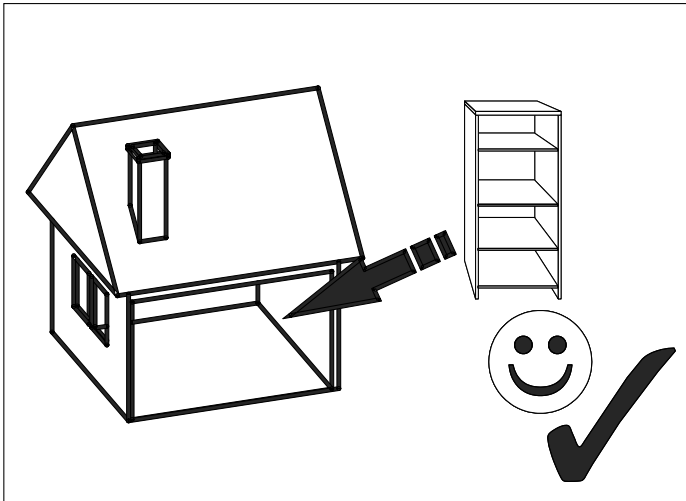


31	530x742	3/3
30	530x450	3/3
29	1193x366	3/3
28	508x320	1/3
27	475x198	3/3
26	475x434	3/3
25	515x60	2/3
24	1178x60	2/3
23	352x60	2/3
22	352x60	2/3
21	882x60	2/3
20	368x108	3/3
19	368x108	3/3
18	368x60	2/3
17	369x60	2/3
16	849x60	2/3
15	916x60	2/3
14	422x160	3/3
13	575x118	3/3
12	540x160	3/3
11	424x540	3/3
10	1191x340	3/3
9	349x334	1/3
8	516x335	1/3
7	882x369	1/3
6	1178x335	3/3
5	163x174	2/3
4	616x174	2/3
3	1194x195	2/3
2	1194x369	2/3
1	916x388	1/3

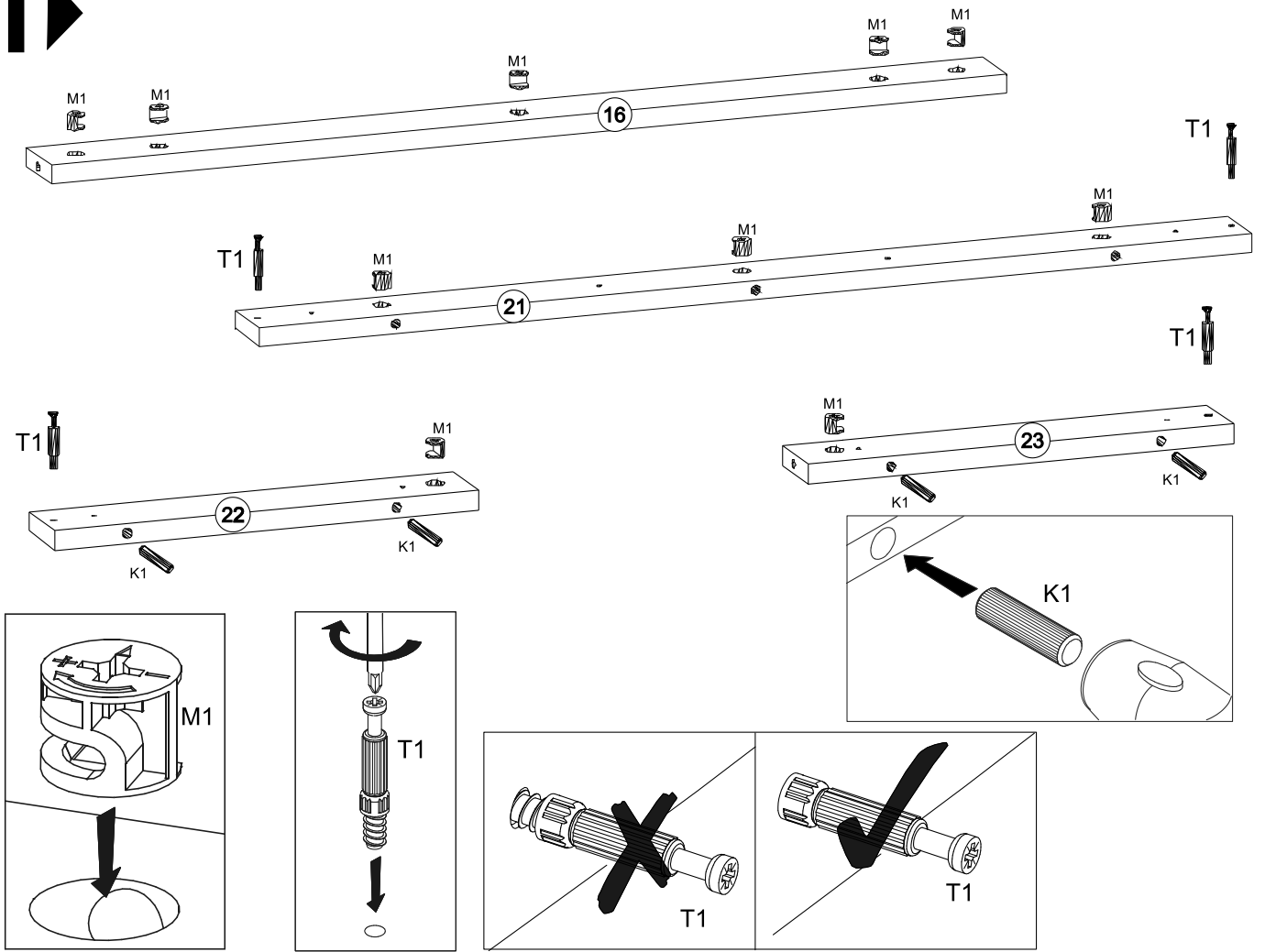


		9x 56° T3	8x TU1	1x(OPCJA; OPTION) 1xNSP-3D/WW L1				
30x #20/981 ZN1	22x 3.5x16 W3	14x ST1	7x BS1	8x B1	14x 3x20 W9	7x ZC90	16x 4x30 W4	4x N1
1x L1	30x 8x30 K1	3x Z10	4x B2	46x #15/15 M1	28x DU232T T1	12x 3.5x20 W8	7x 2x20 G1	8x 4x16 WP4

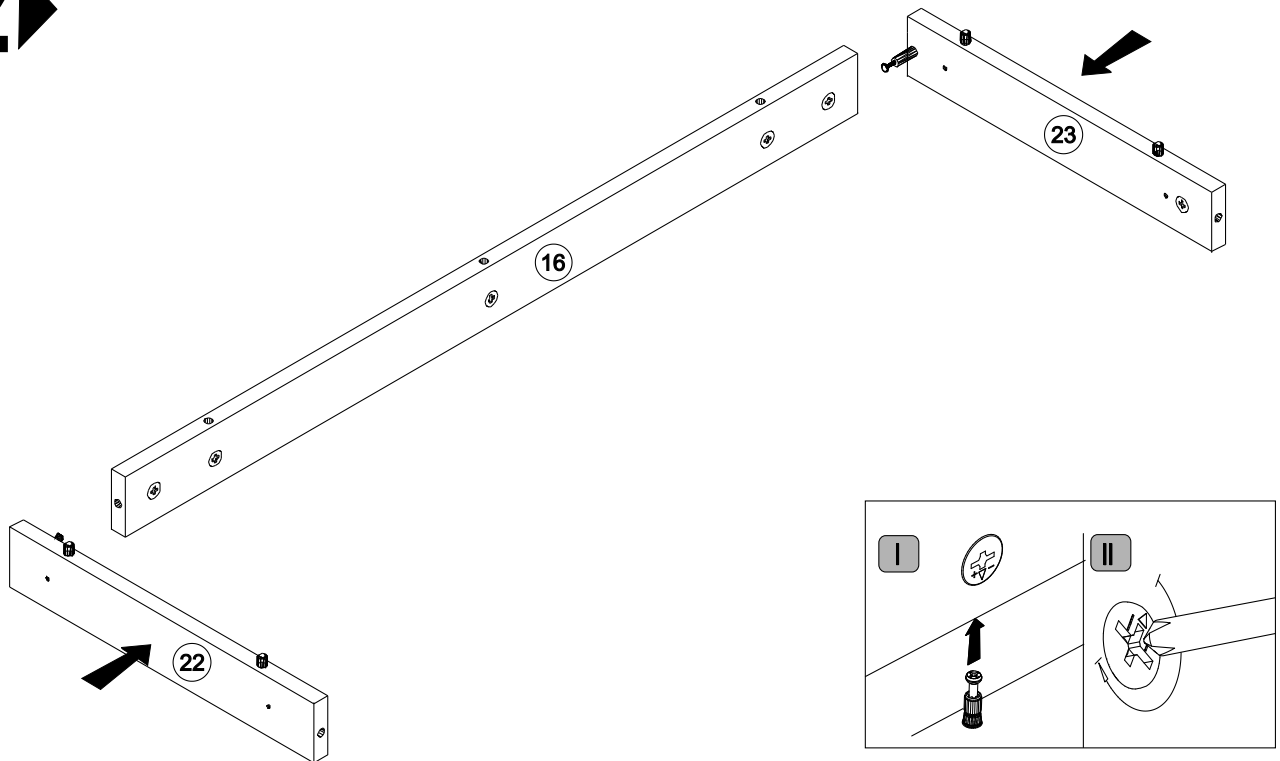




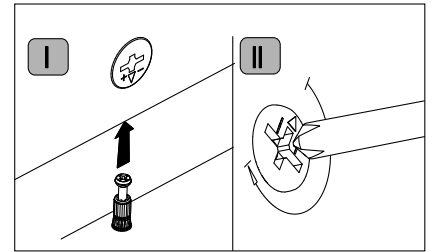
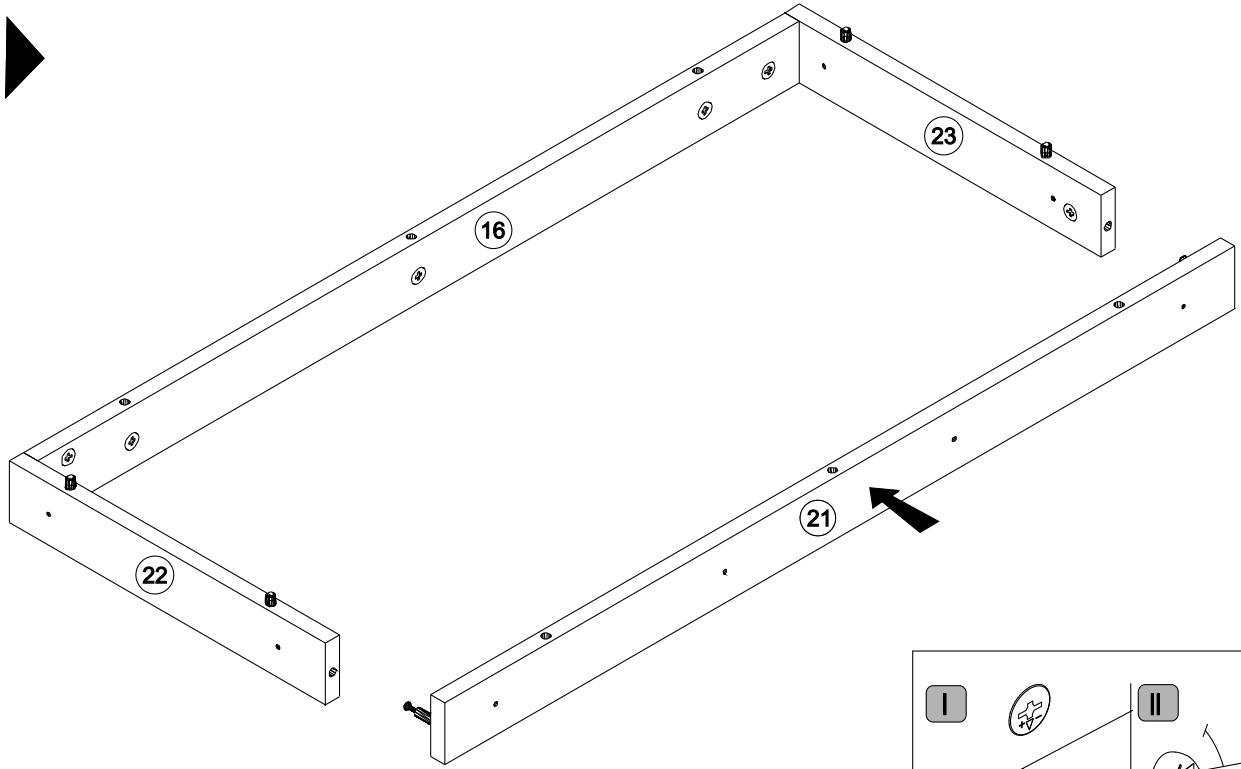
1



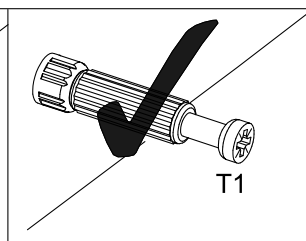
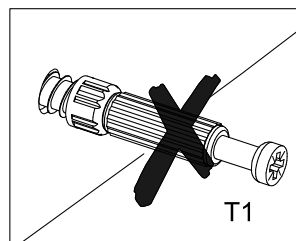
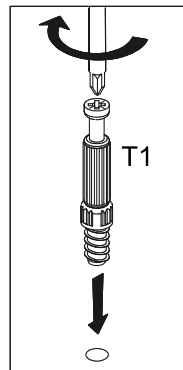
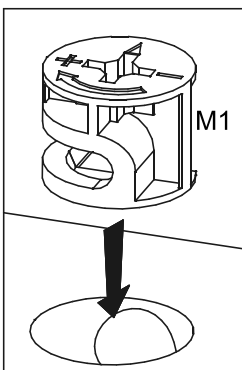
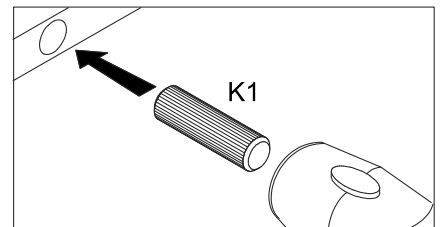
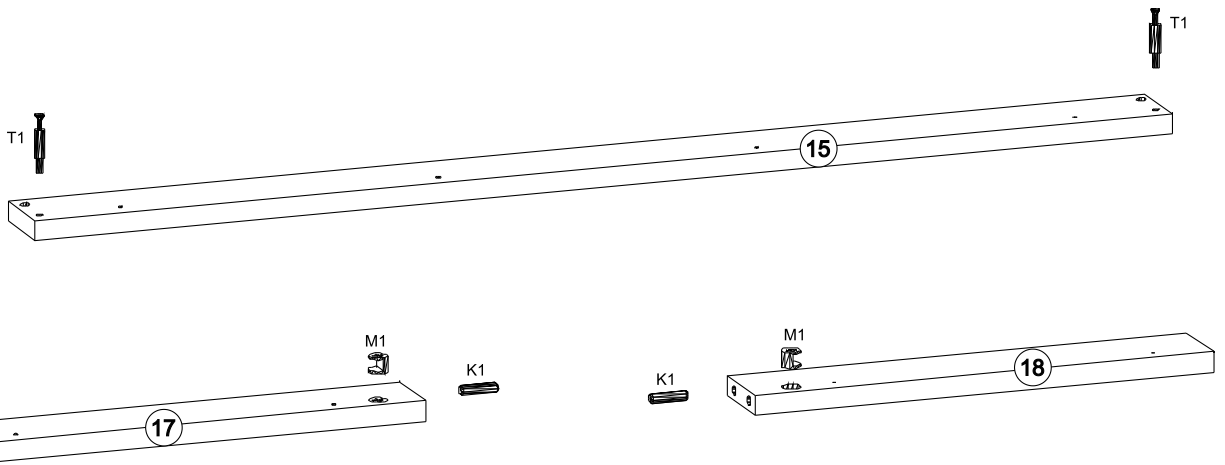
2



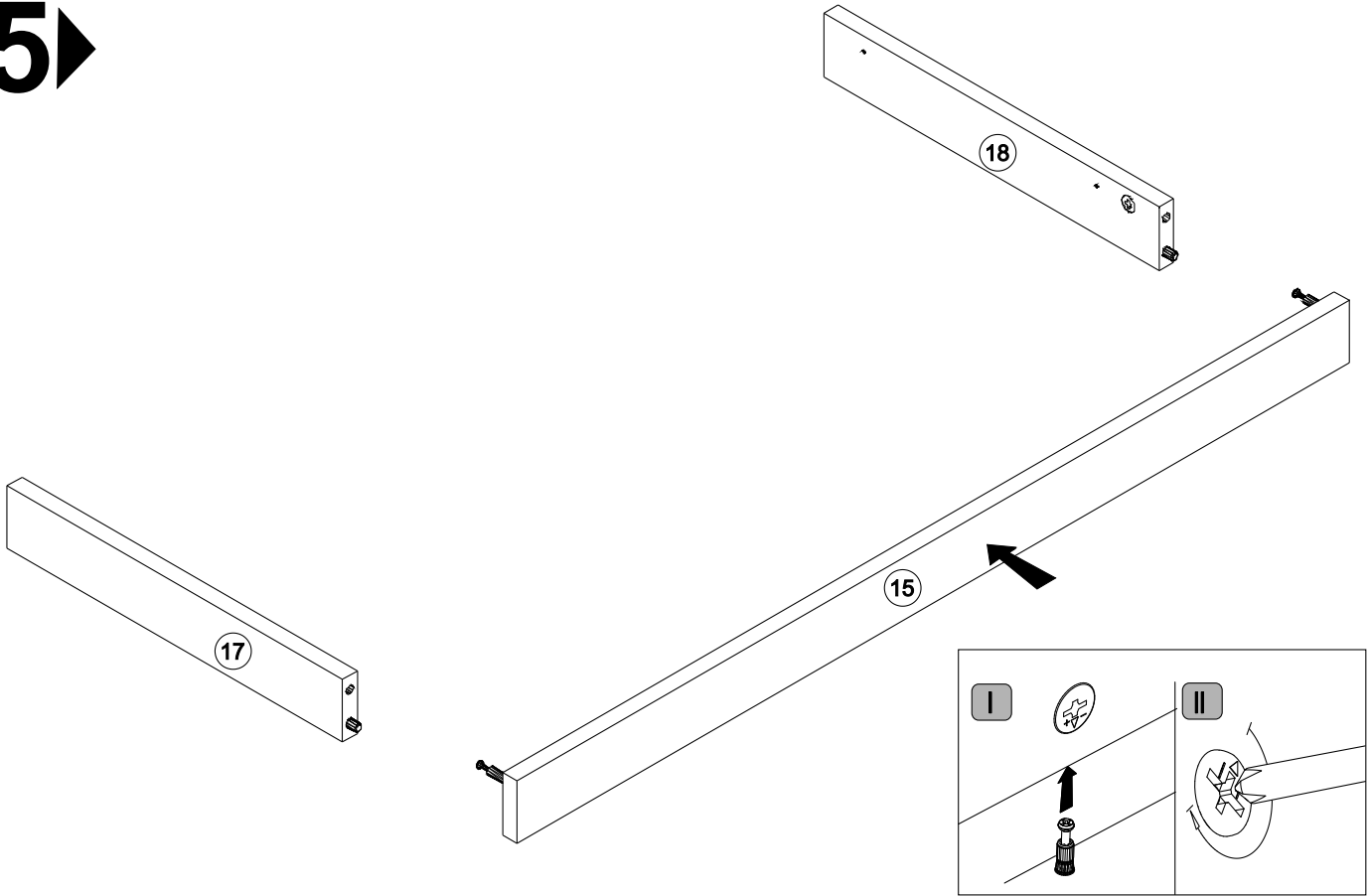
3 ➔



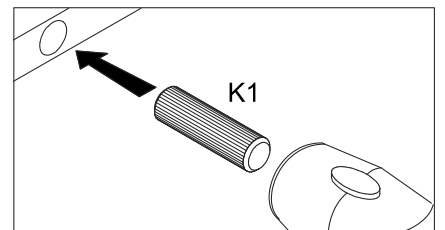
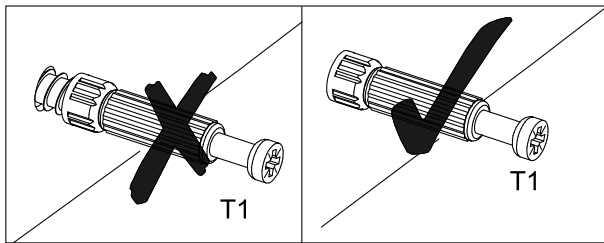
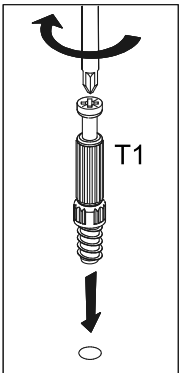
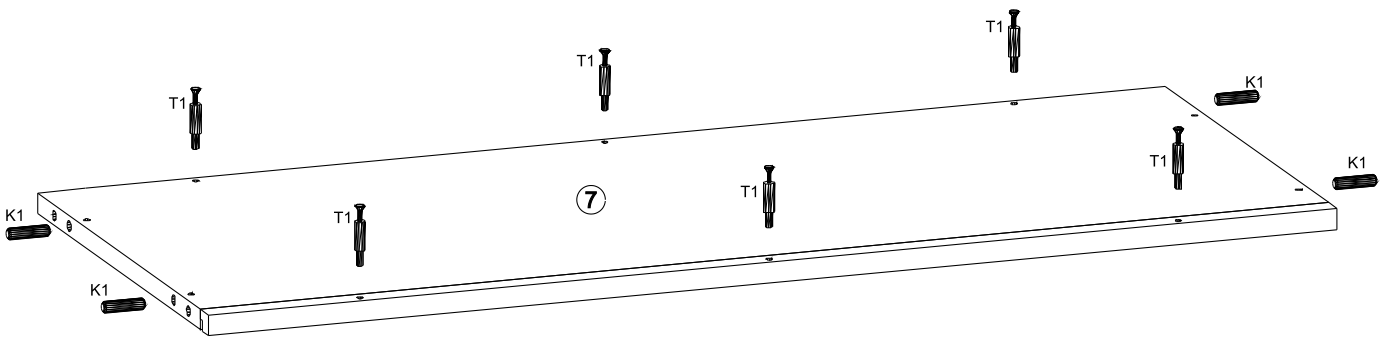
4 ➔



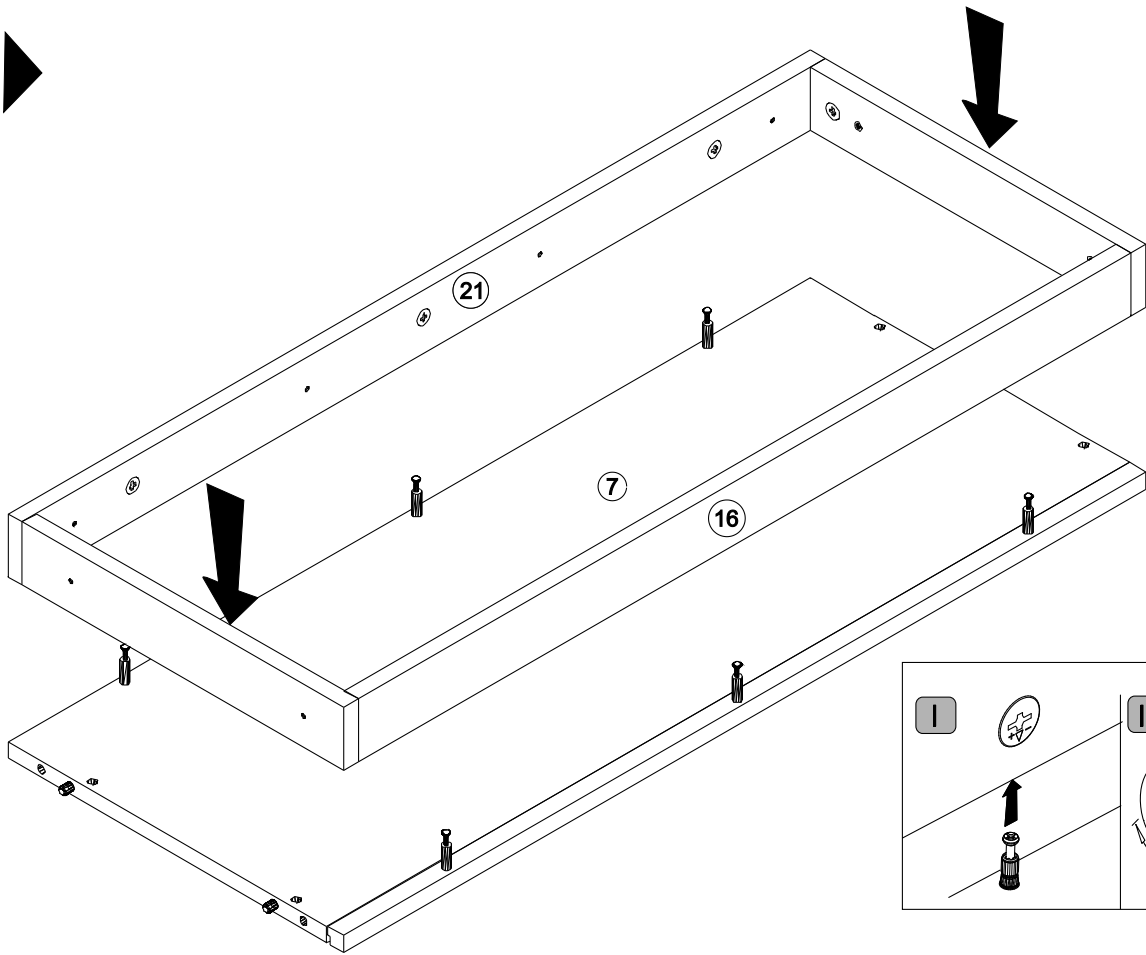
5



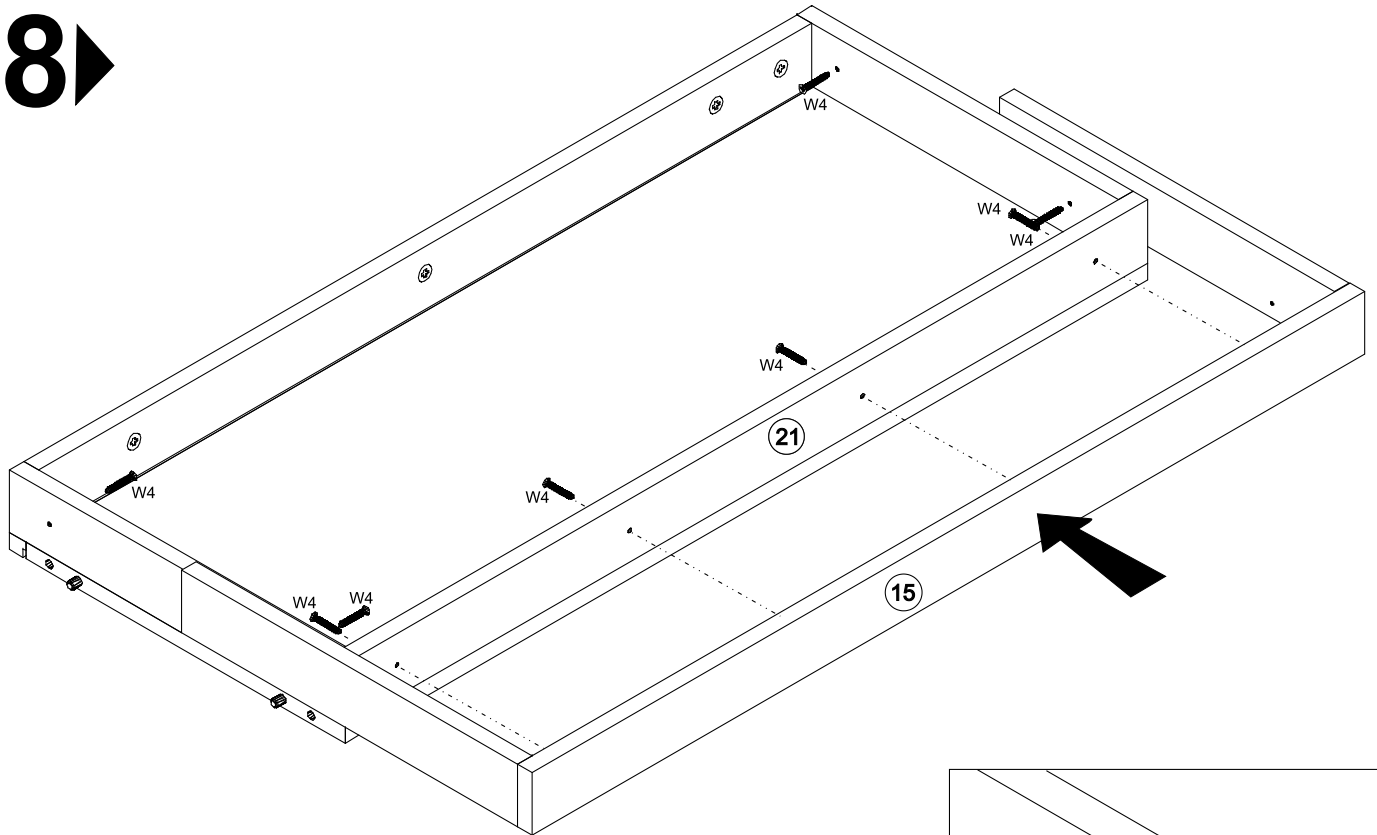
6



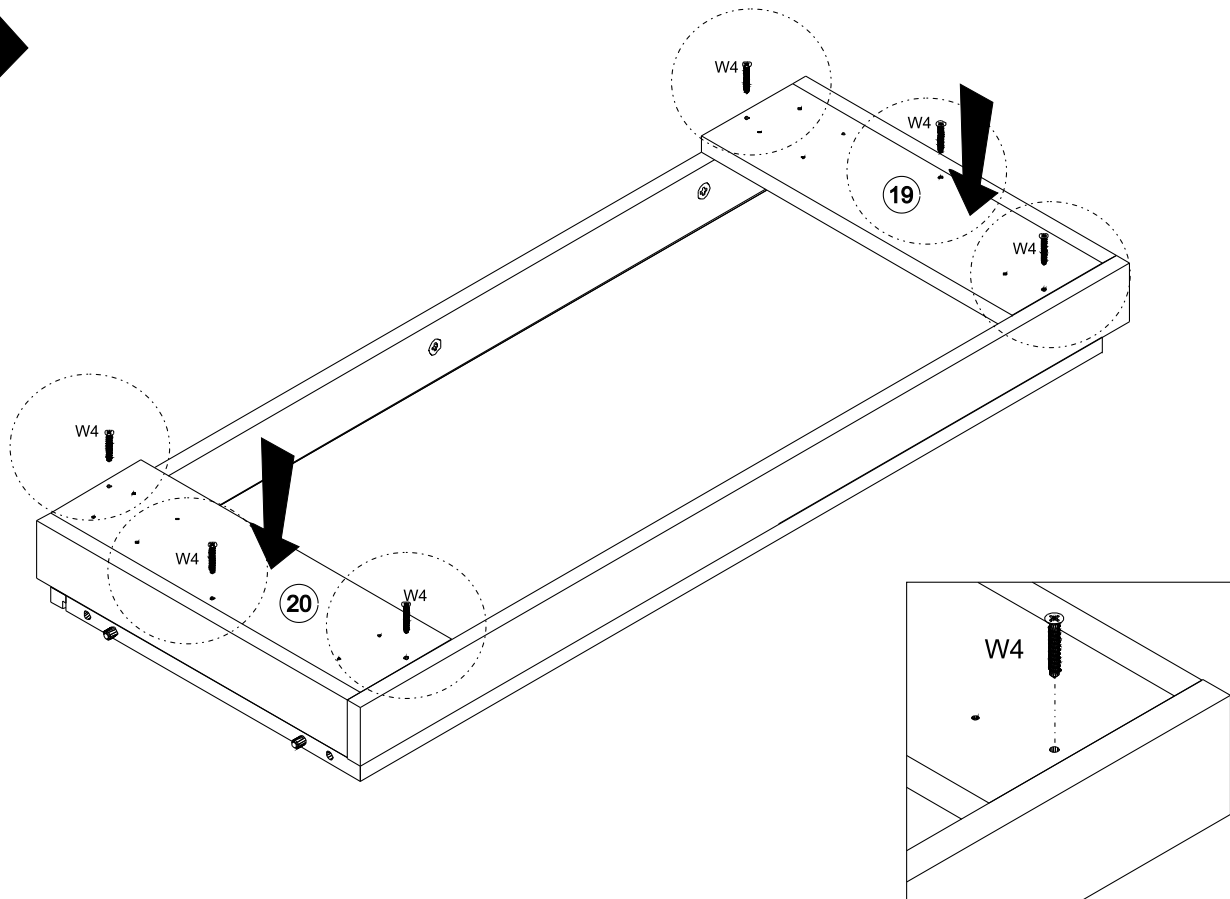
7



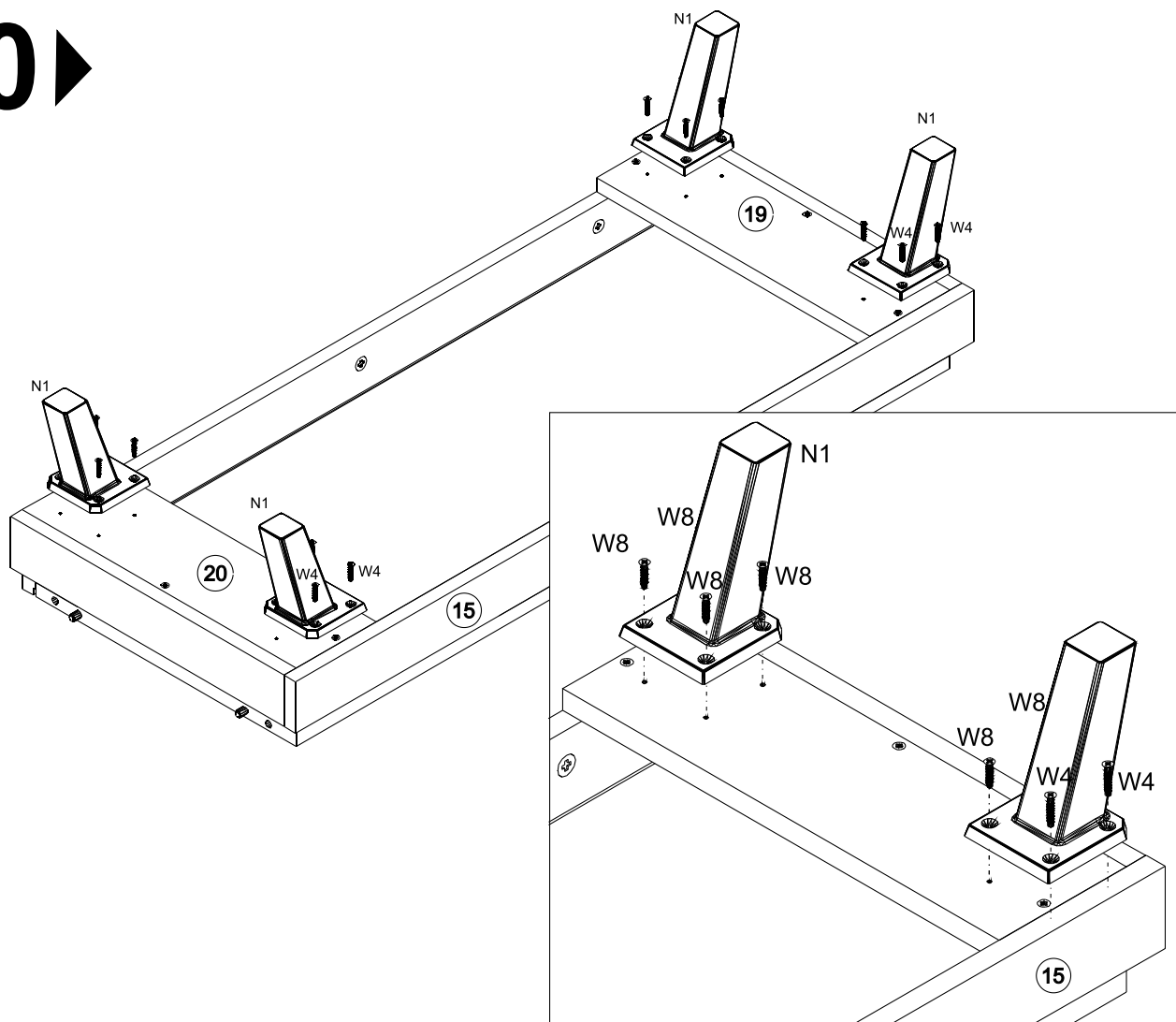
8



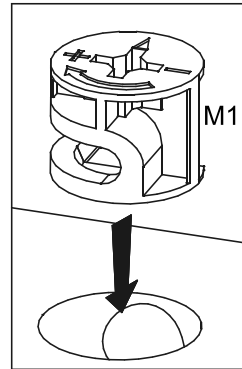
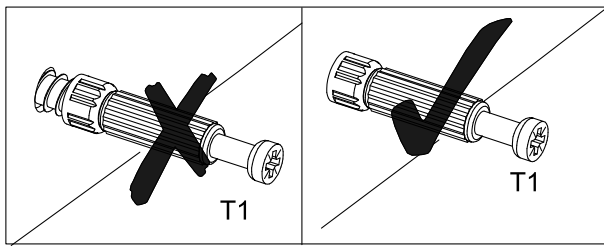
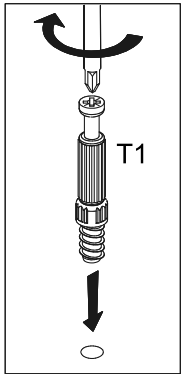
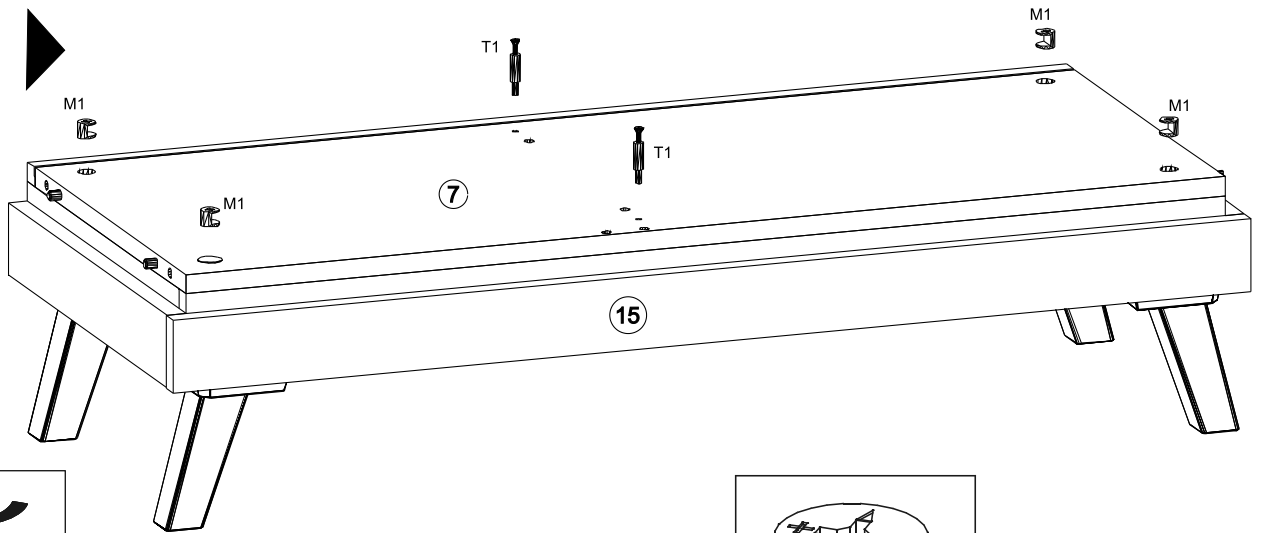
9 ▶



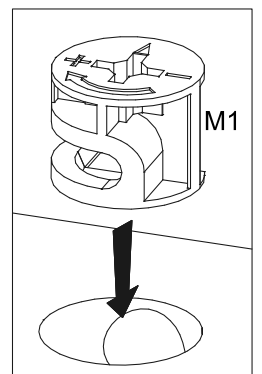
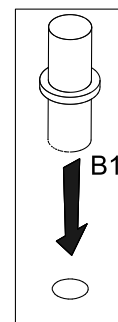
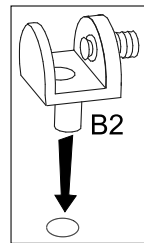
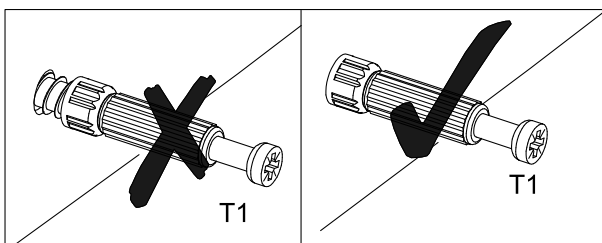
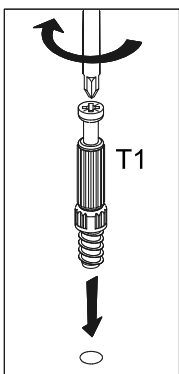
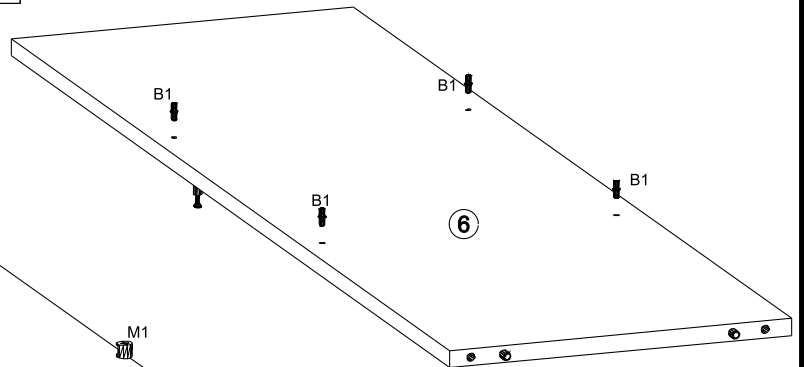
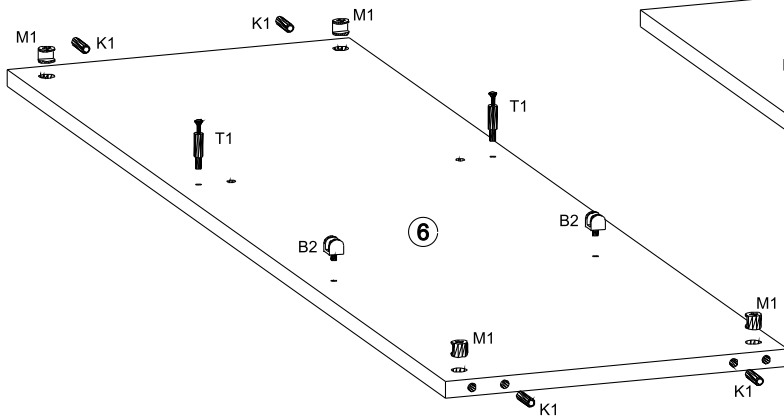
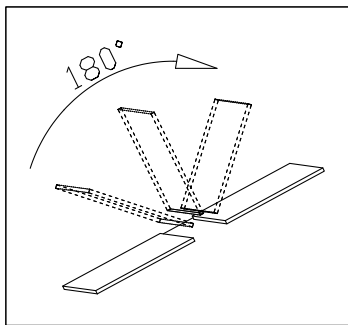
10 ▶



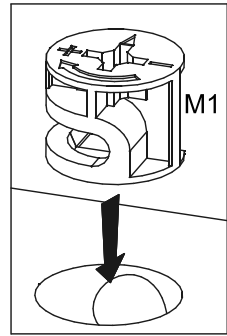
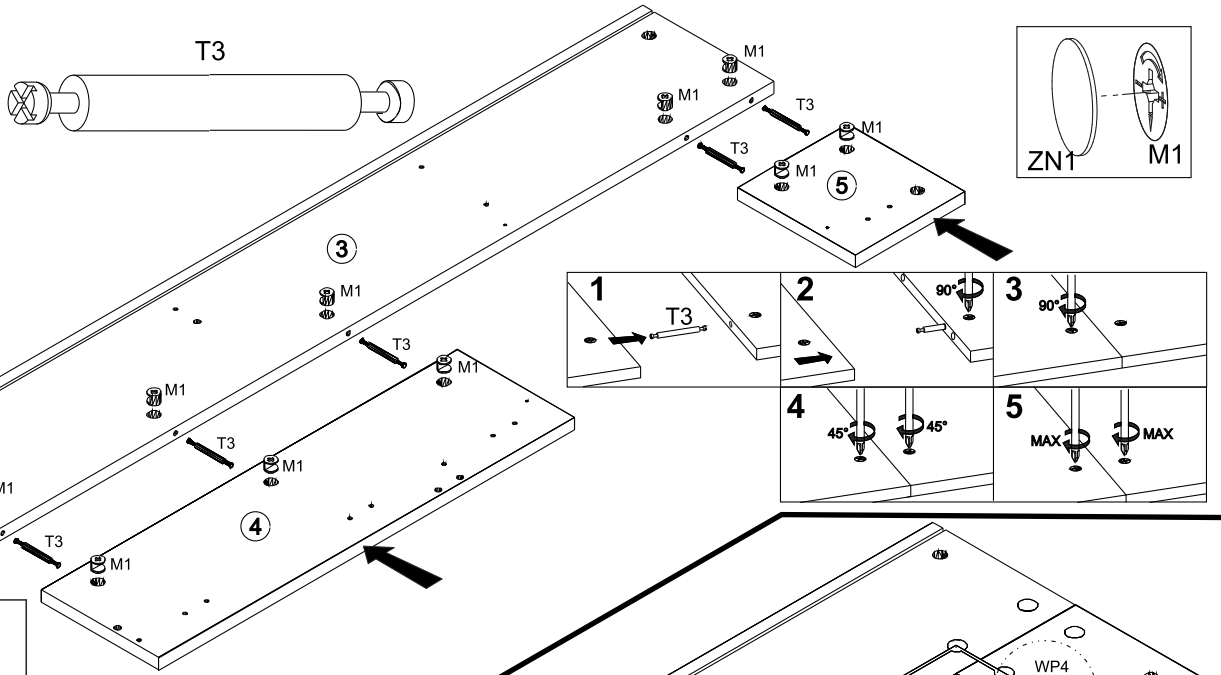
11 ▶



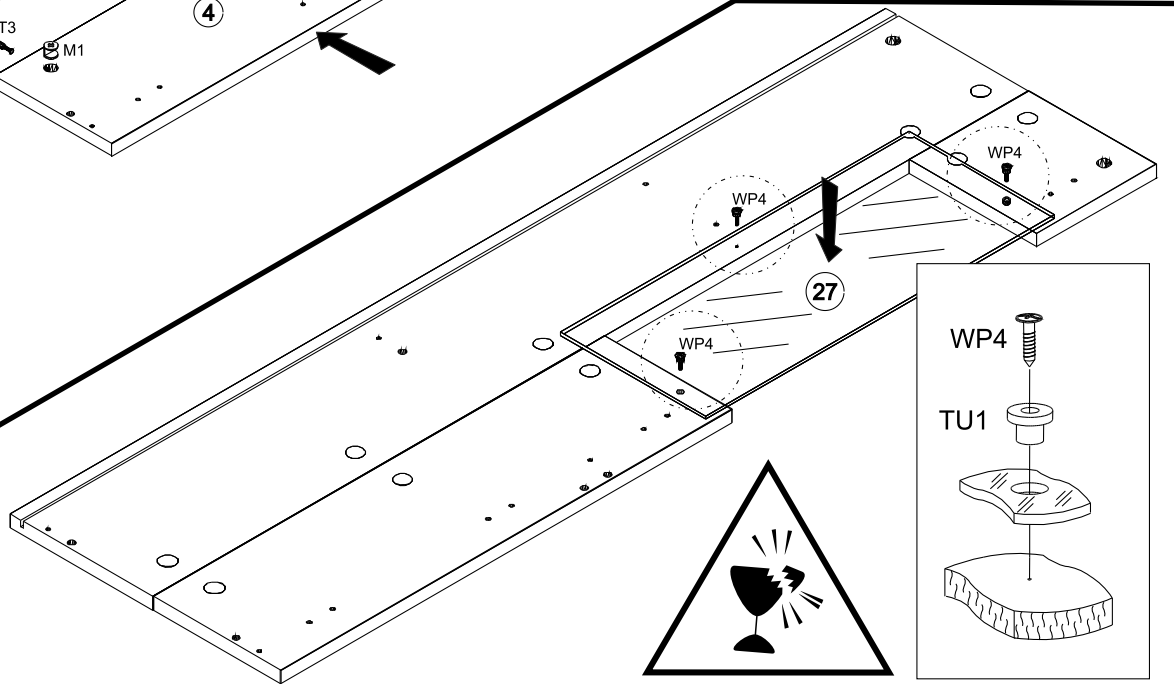
12 ▶



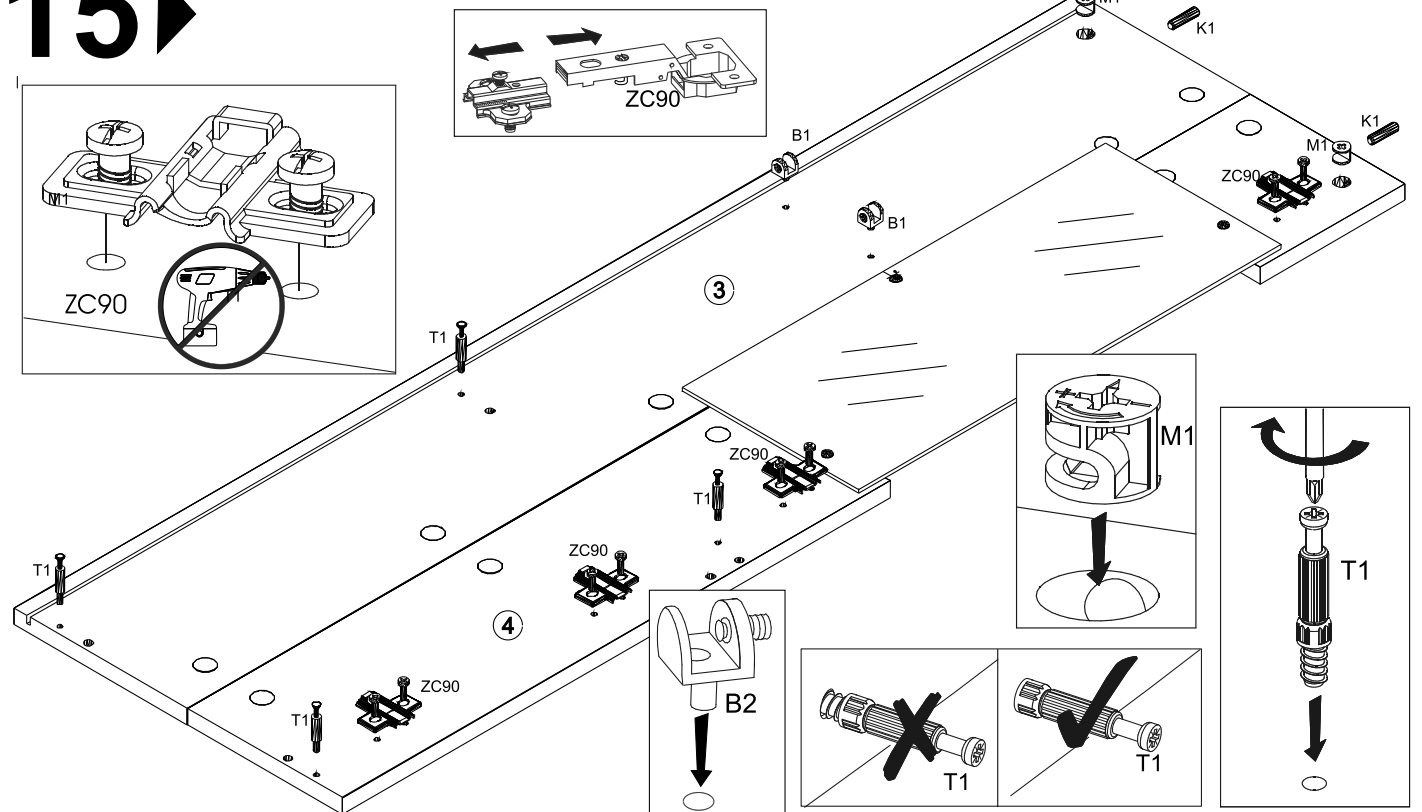
13 ▶



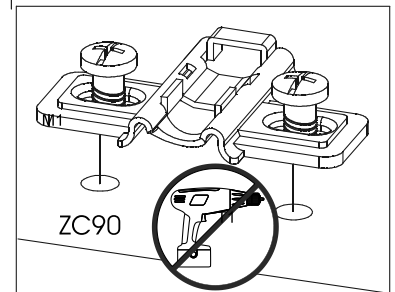
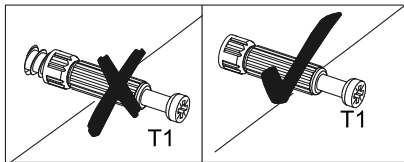
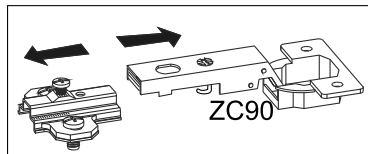
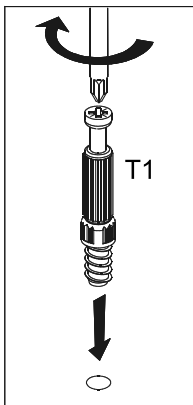
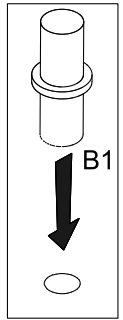
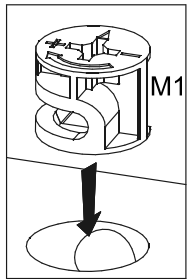
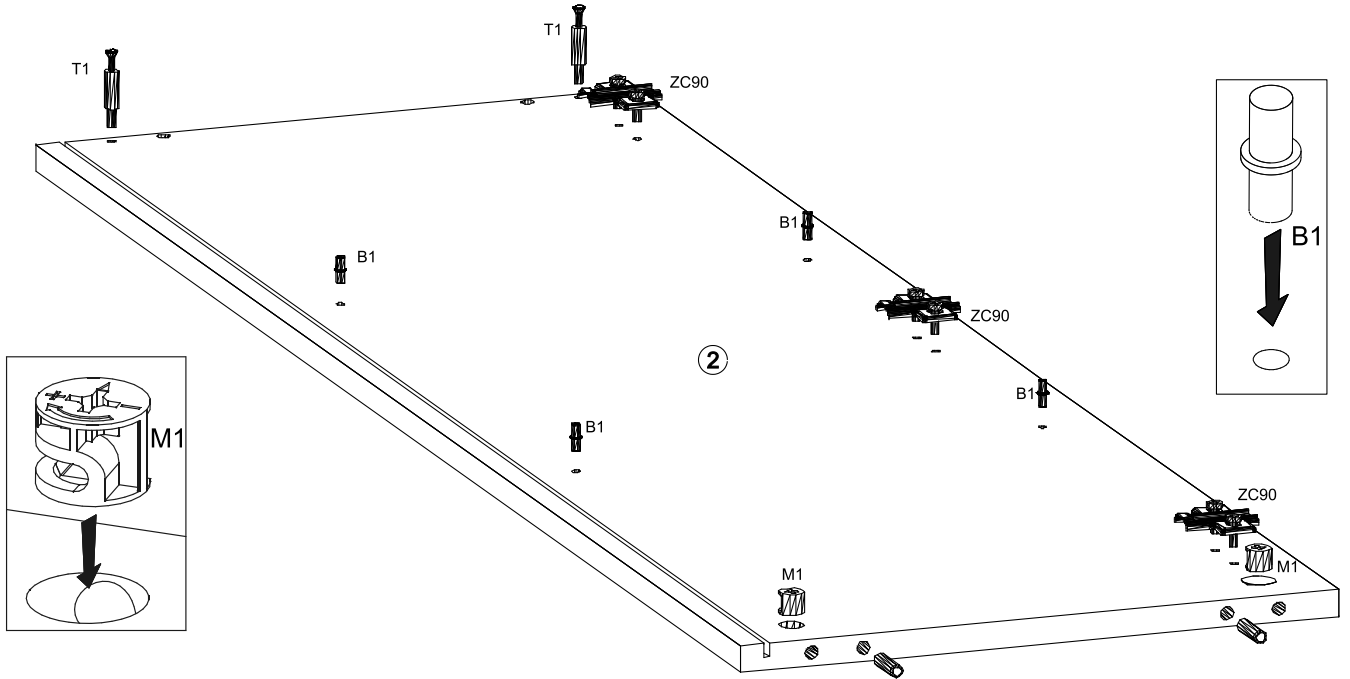
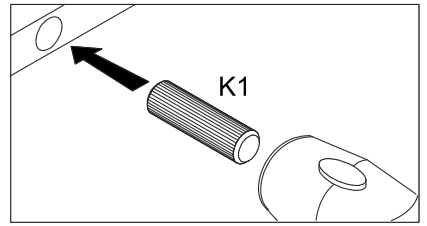
14 ▶



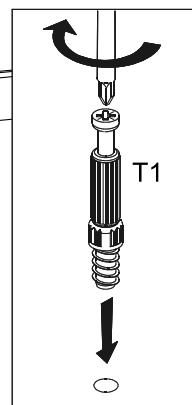
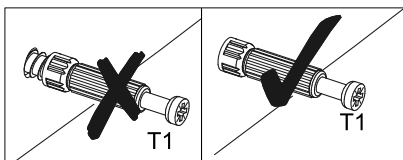
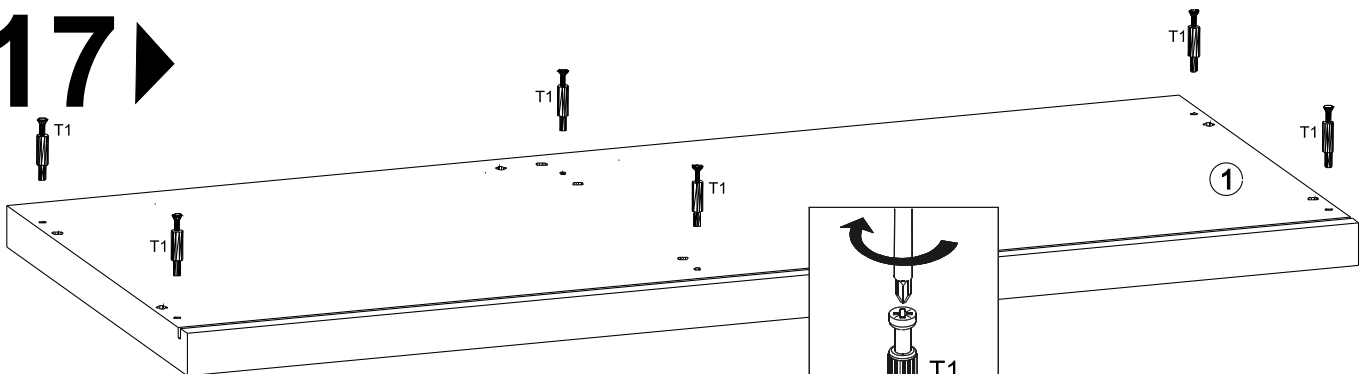
15 ▶



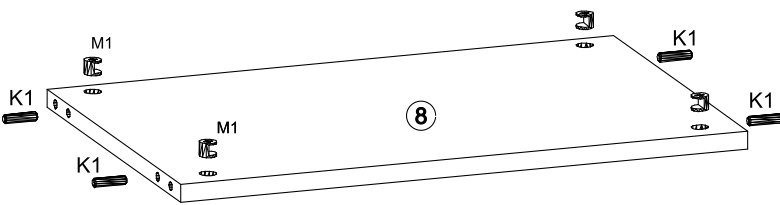
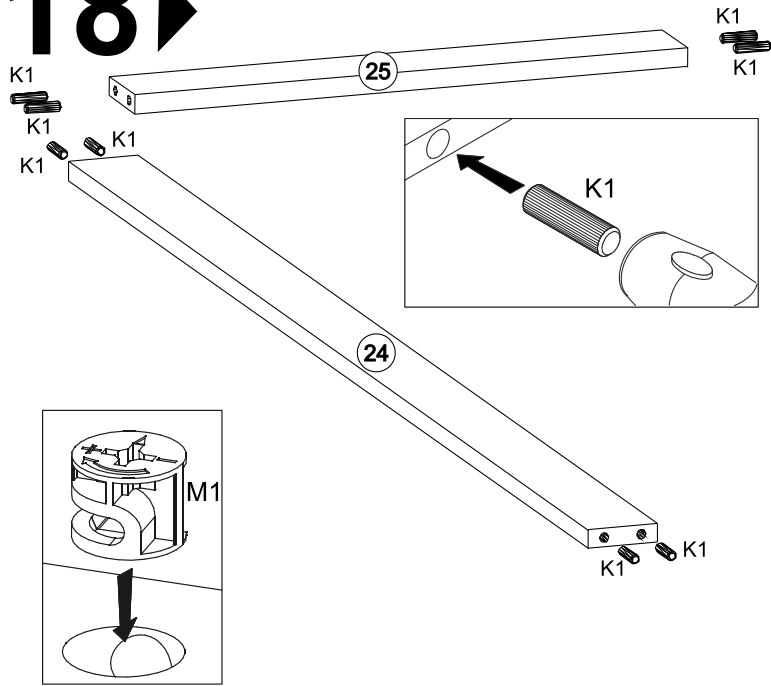
16 ▶



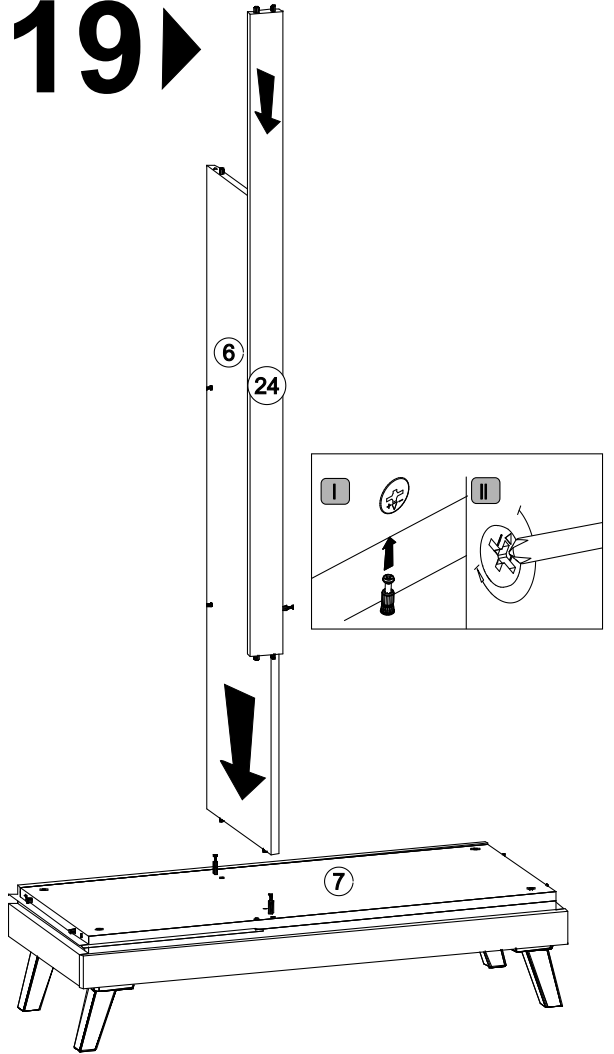
17 ▶



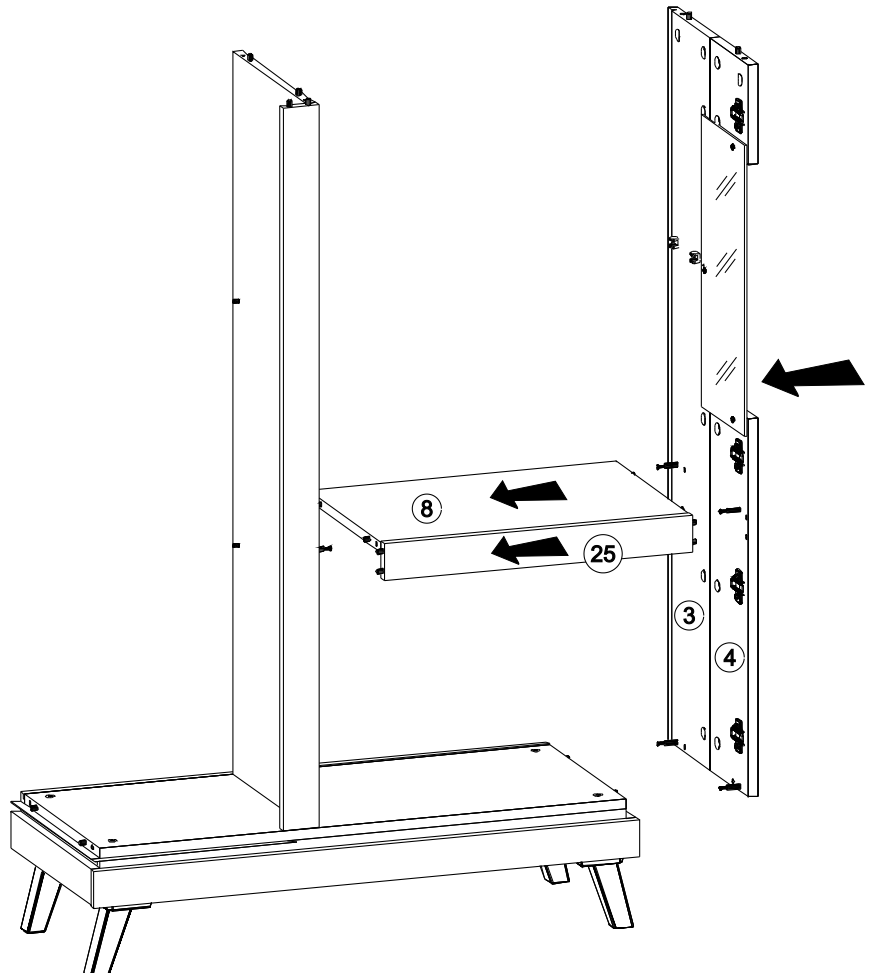
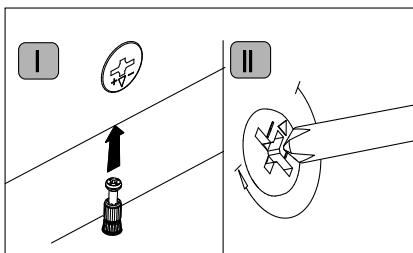
18 ▶



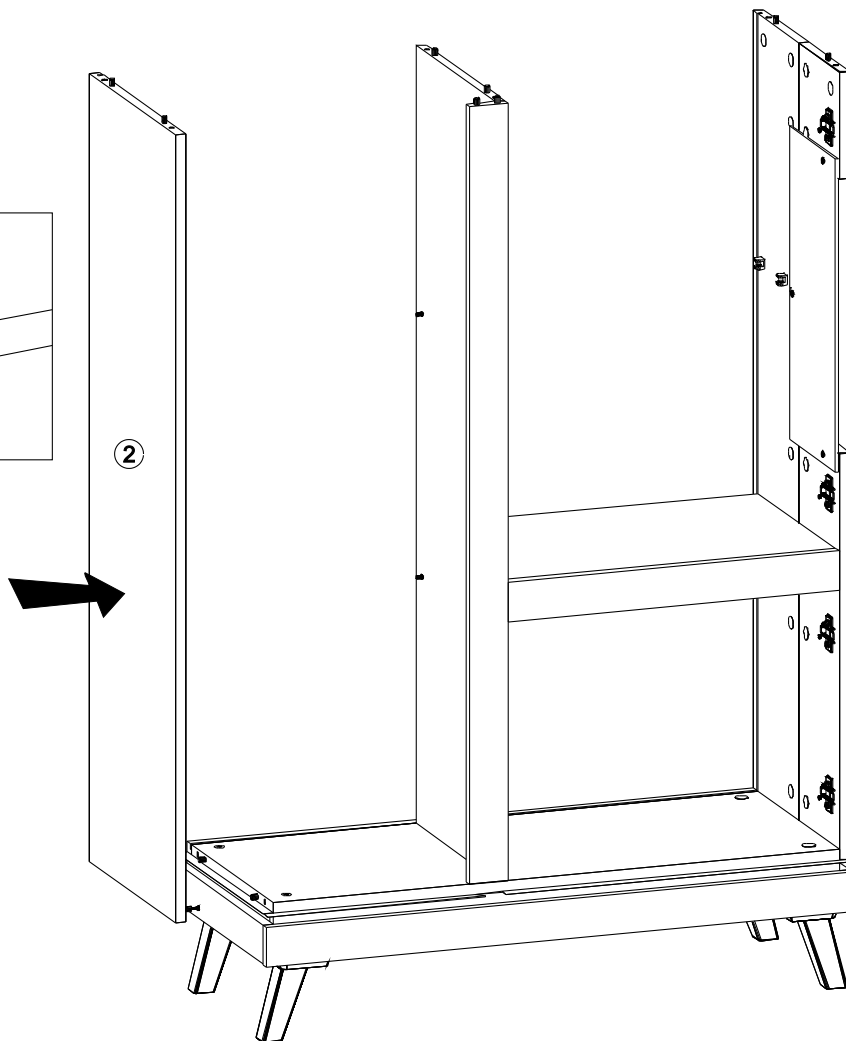
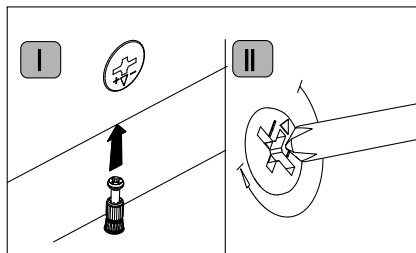
19 ▶



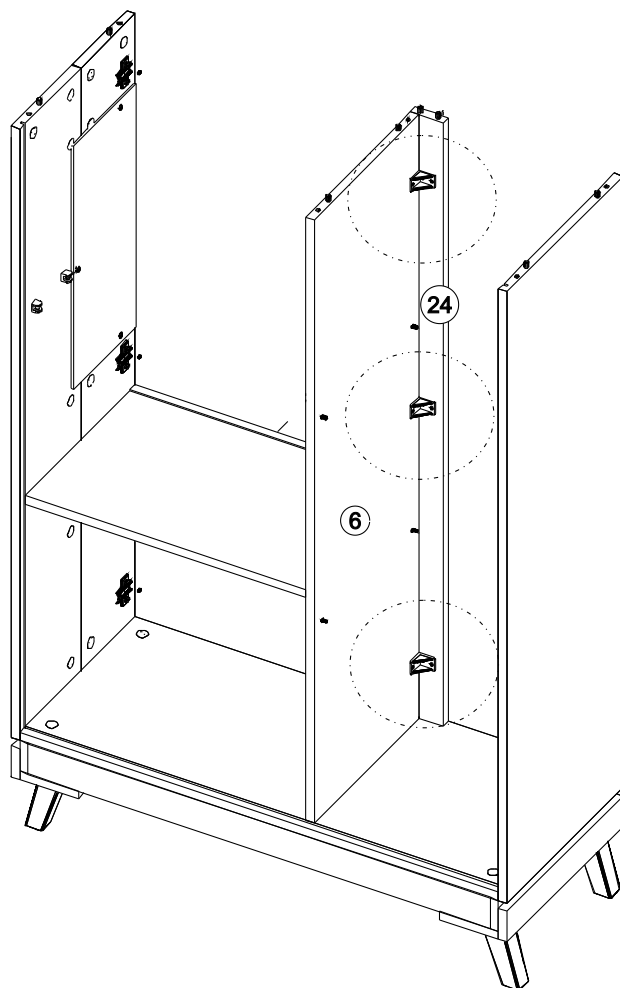
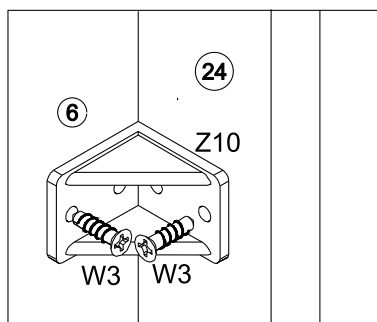
20 ▶



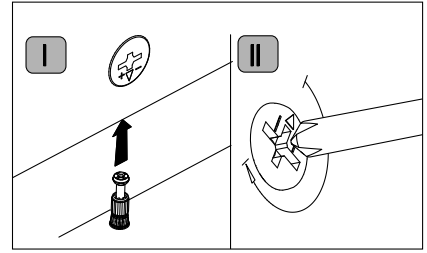
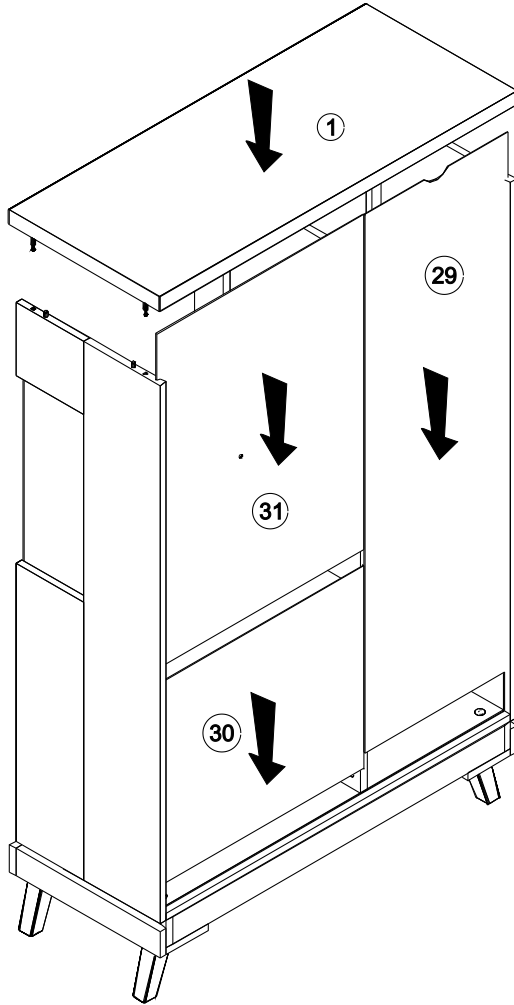
21 ▶



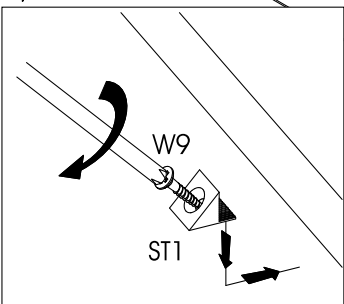
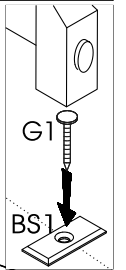
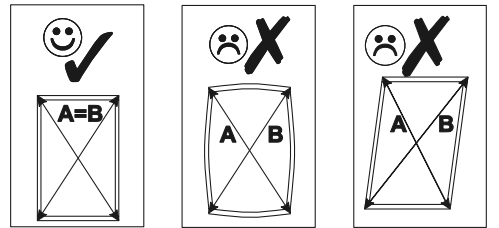
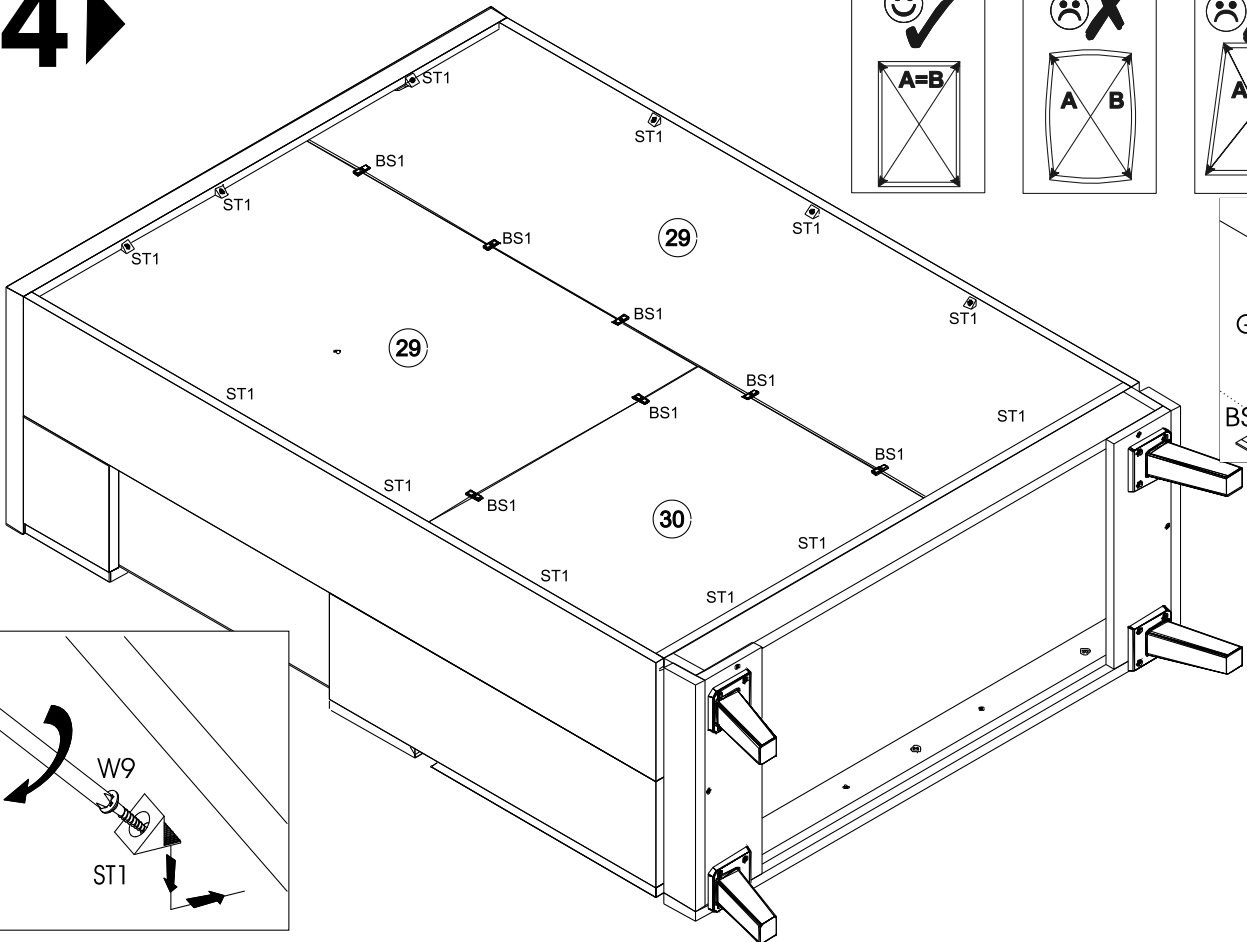
22 ▶



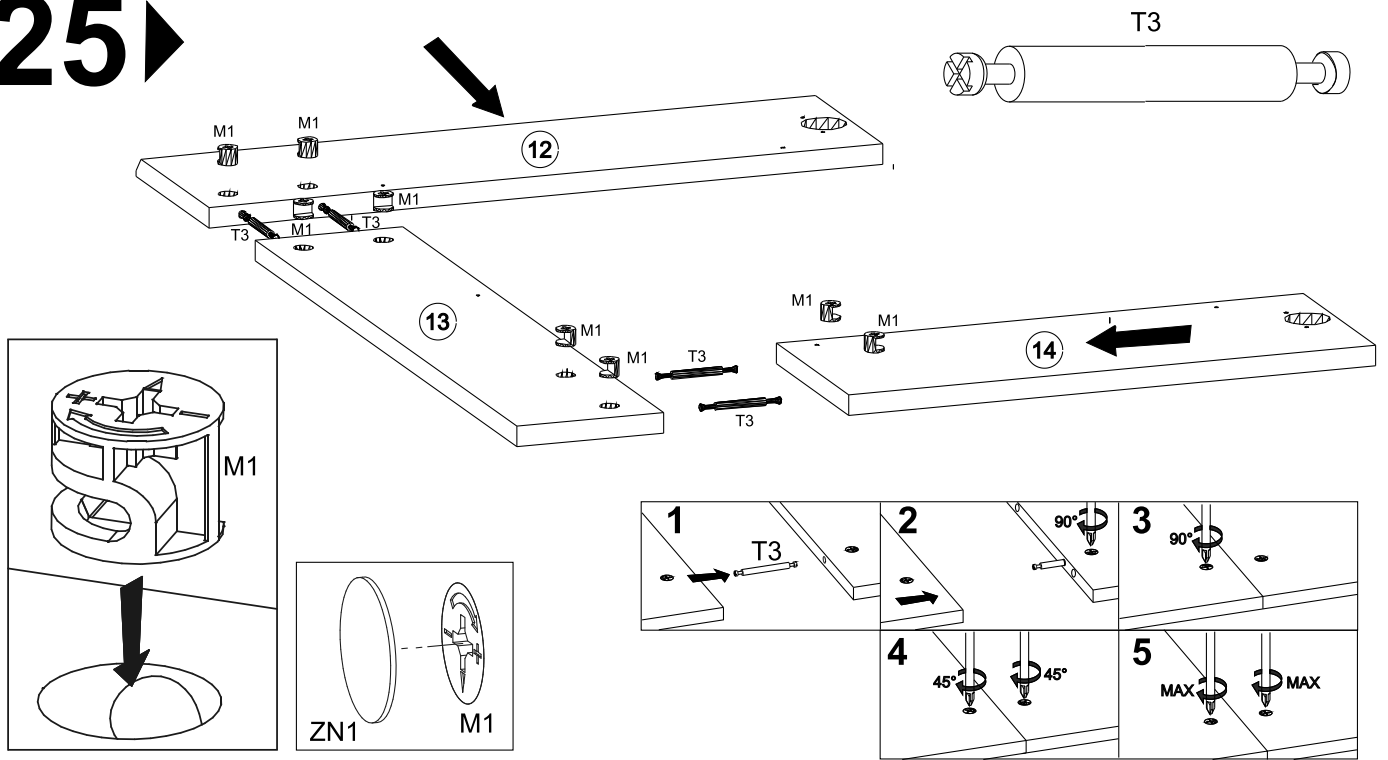
23 ▶



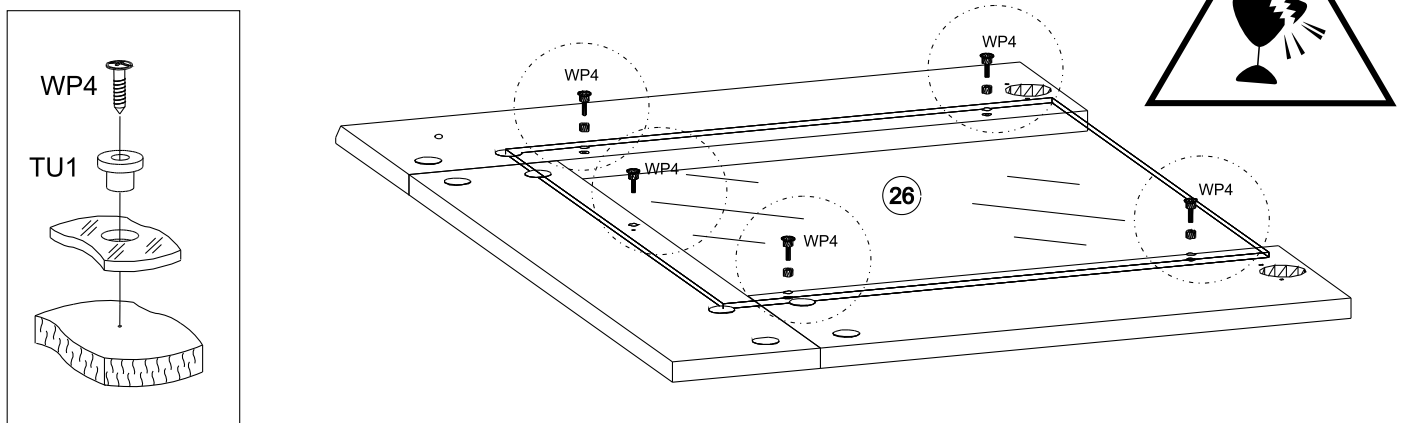
24 ▶



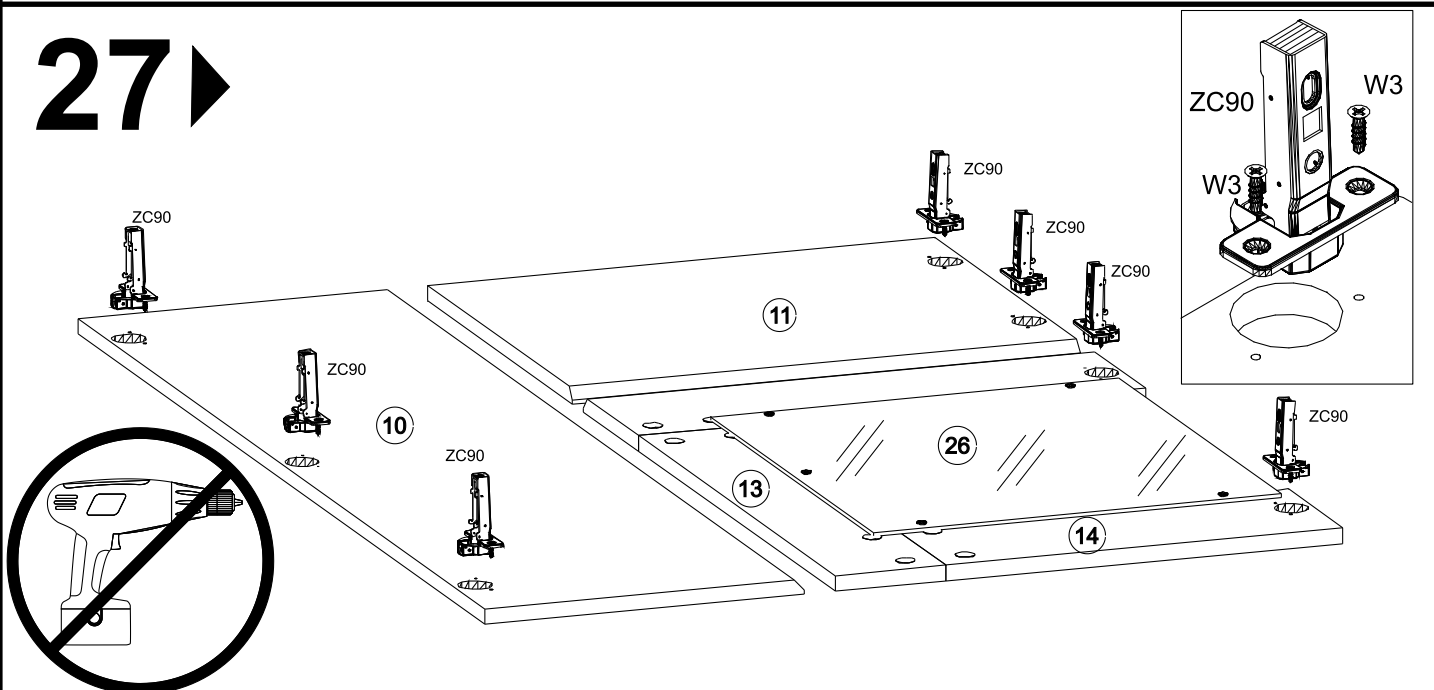
25 ▶



26 ▶



27 ▶



28 ▶

