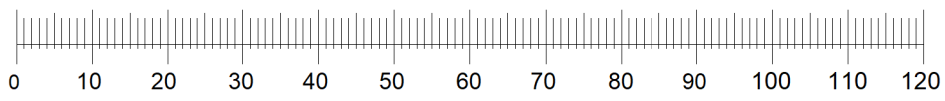
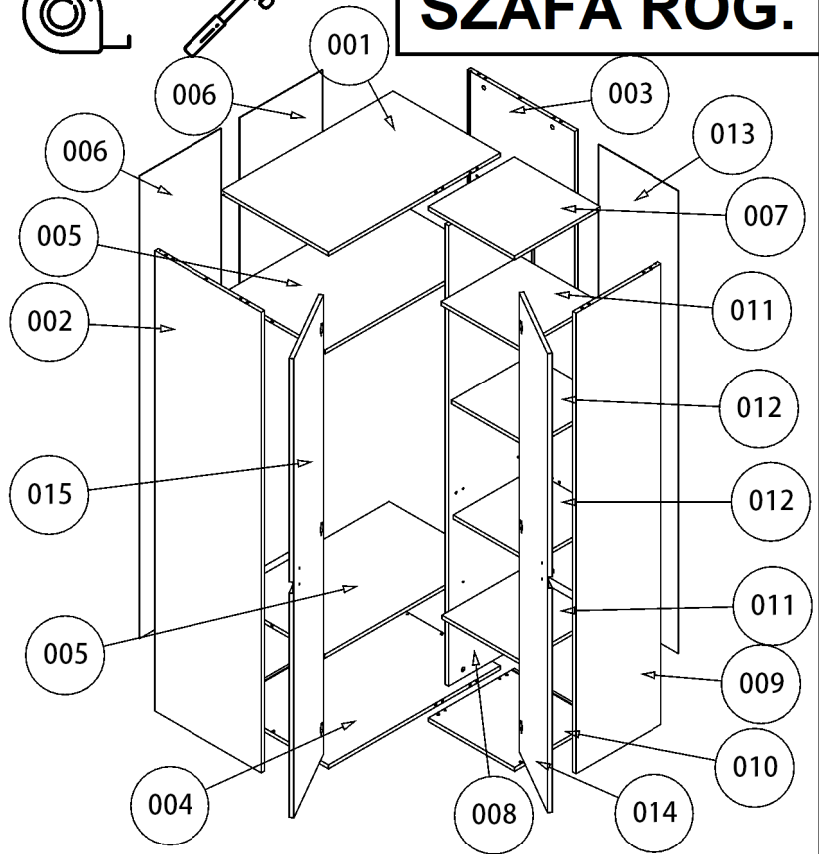
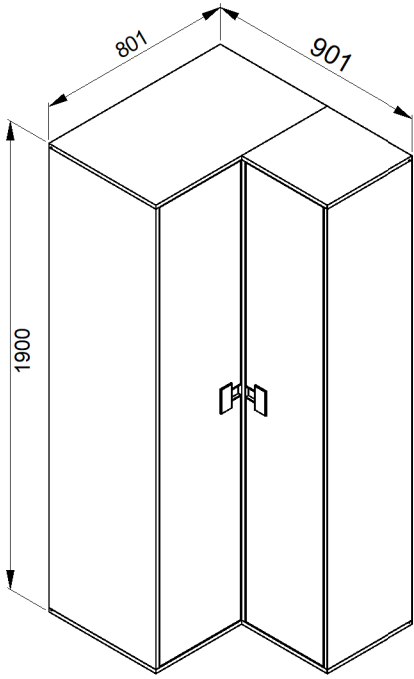


# INDEX 03

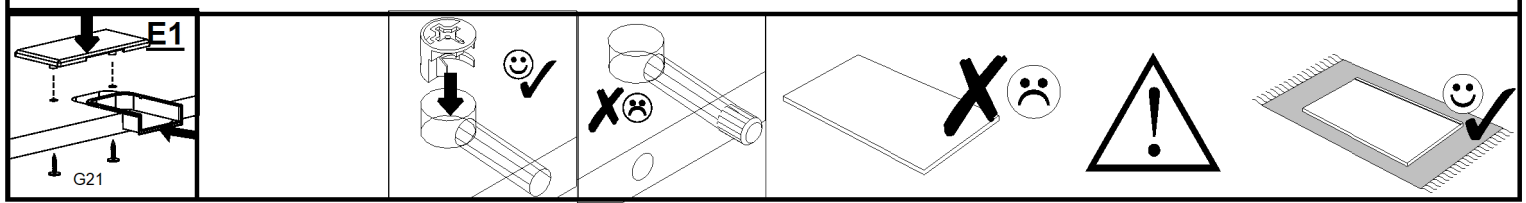


# SZAFKA ROG.

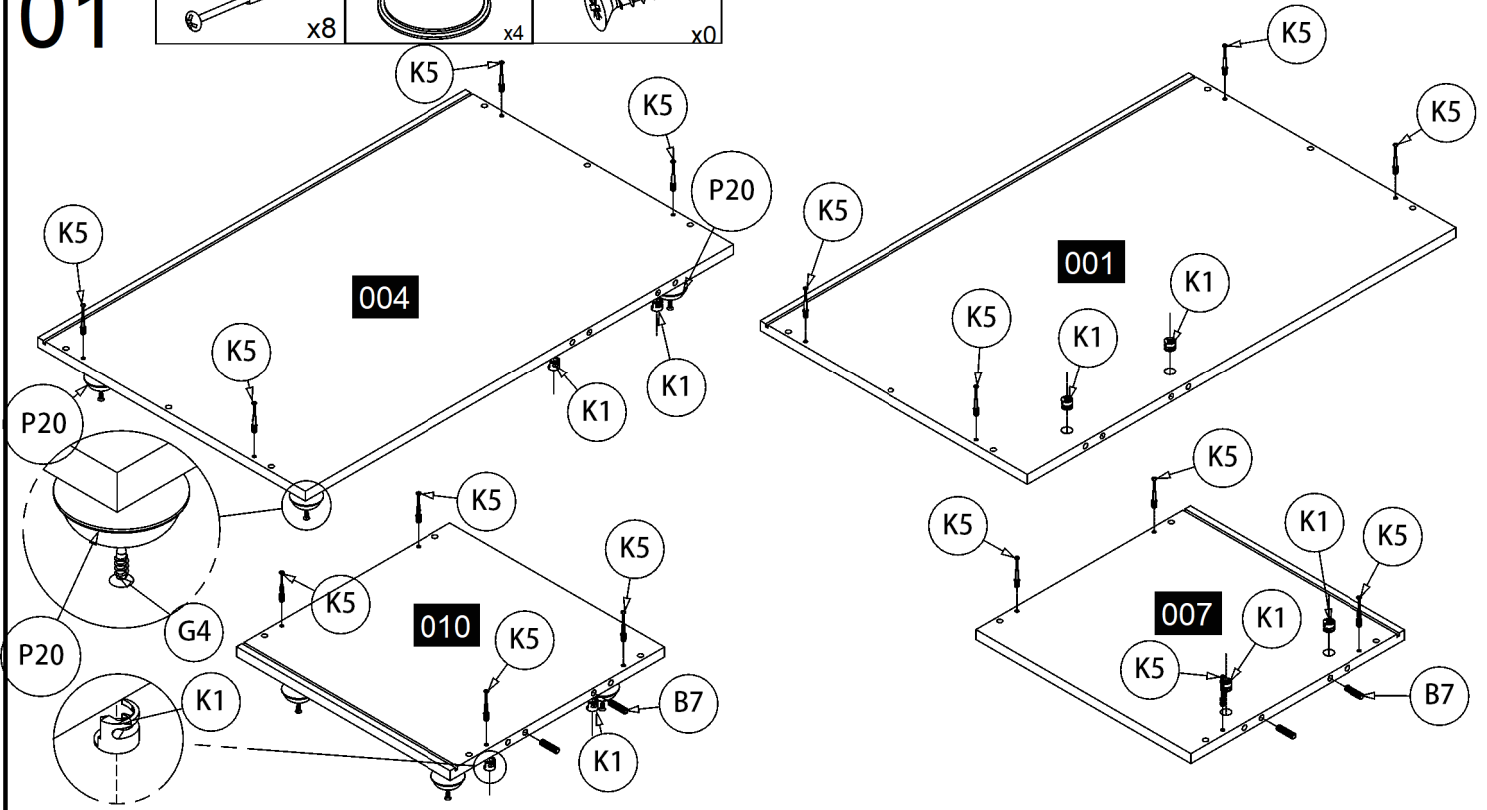
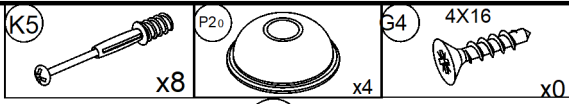


<b>I1</b>  x32	<b>B7</b> Ø8X30  x44	<b>K1z</b>  x40	<b>K5</b>  x32	<b>K1</b> Ø15X12  x40
<b>G18</b> 6.3x24  x12	<b>P20</b>  x8	<b>G4</b> 4X16  x20	<b>W4</b>  x20	<b>S4</b>  x2
<b>S5</b>  L=764	<b>C5</b>  x6	<b>F2</b>  x8	<b>E1</b>  x2	<b>G21</b> 4x16  x4
<b>D1</b>  x6	<b>K6</b> L-62  x4	<b>S1</b>  L=1864	<b>I5</b>  x6	<b>G6</b> 3X13  x2

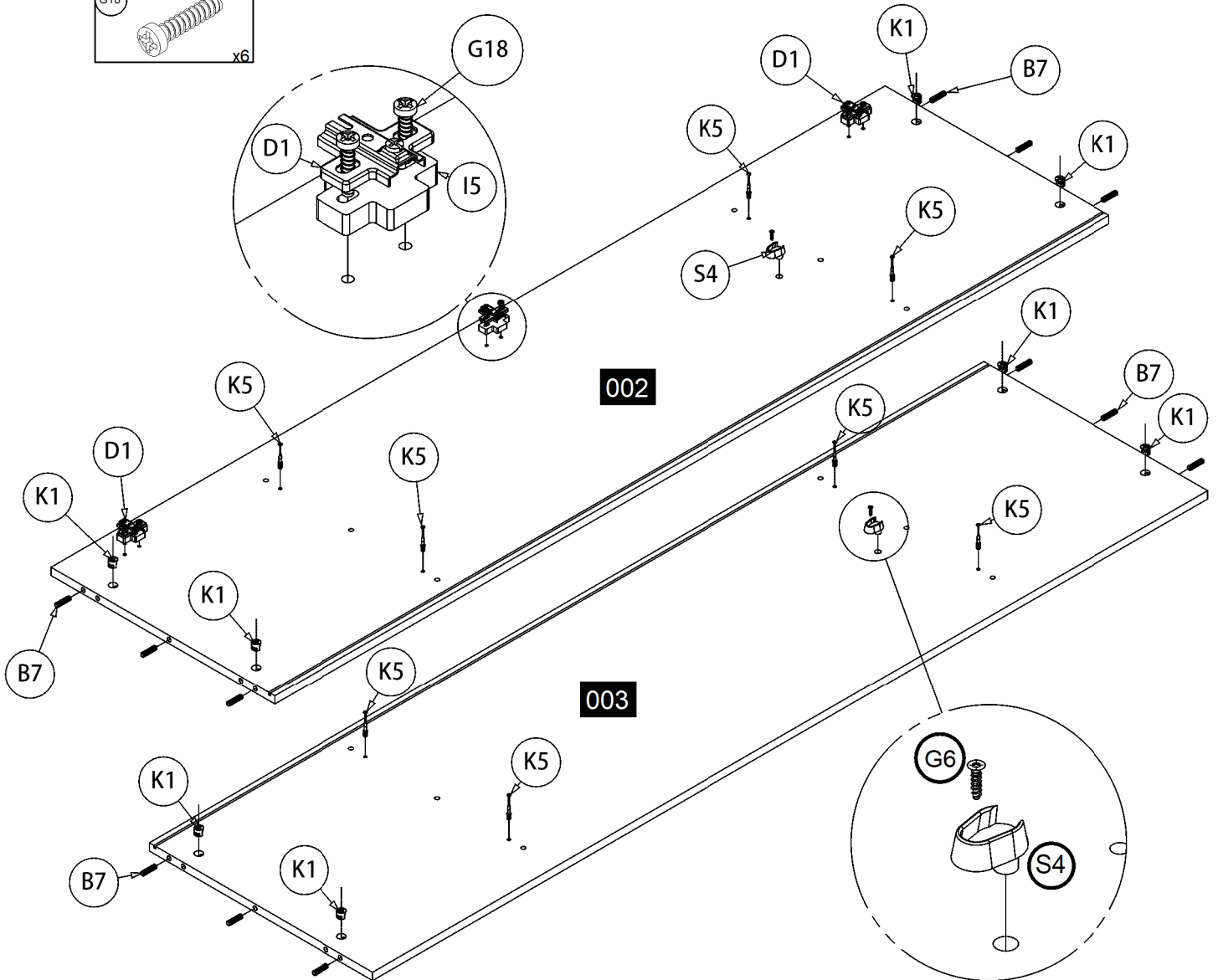
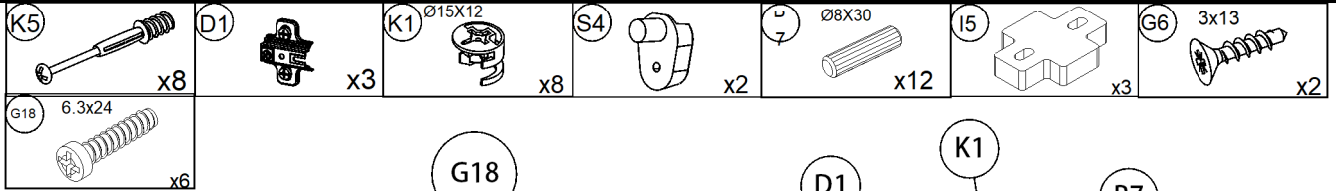
G21



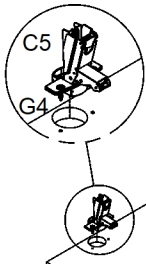
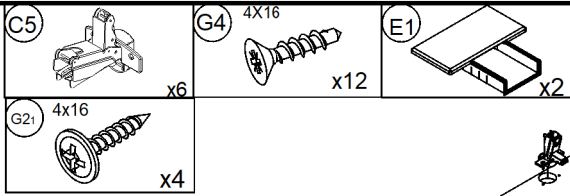
# 01



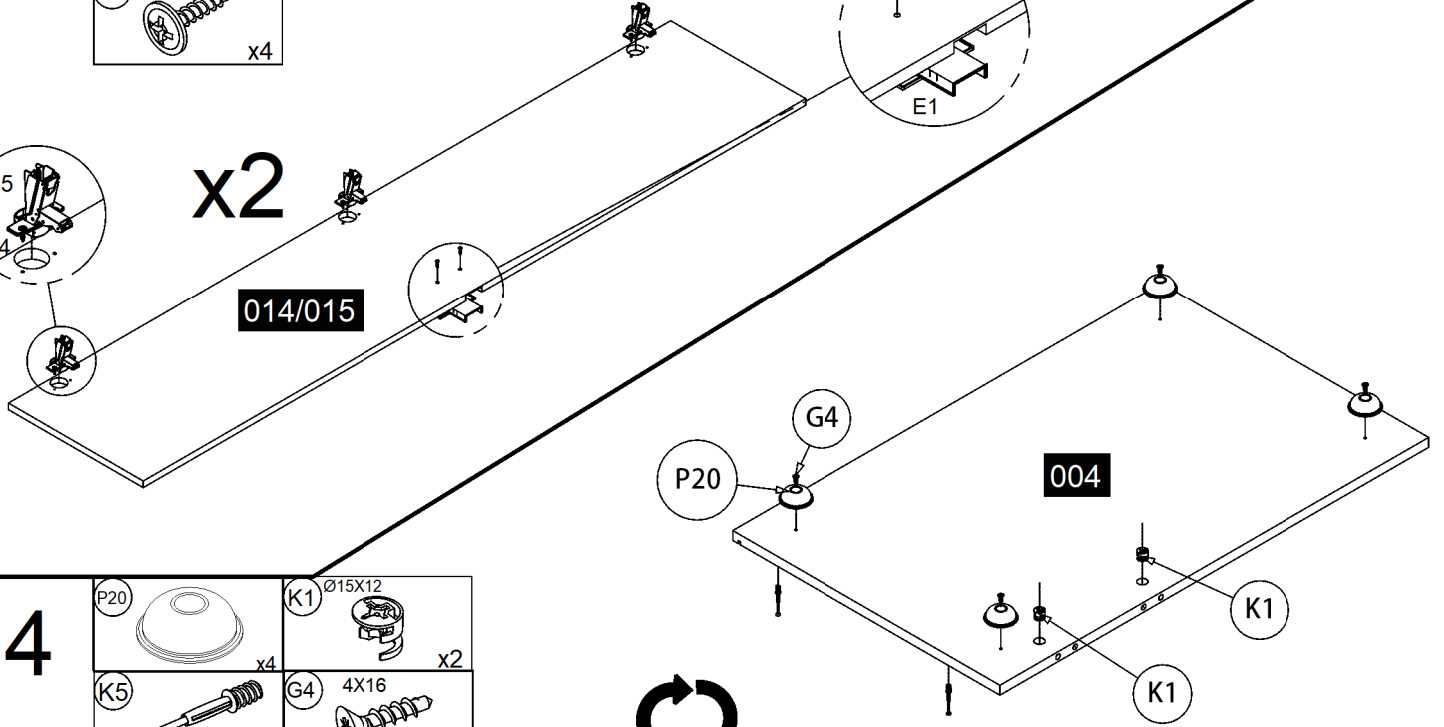
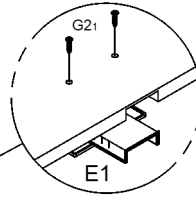
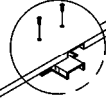
# 02



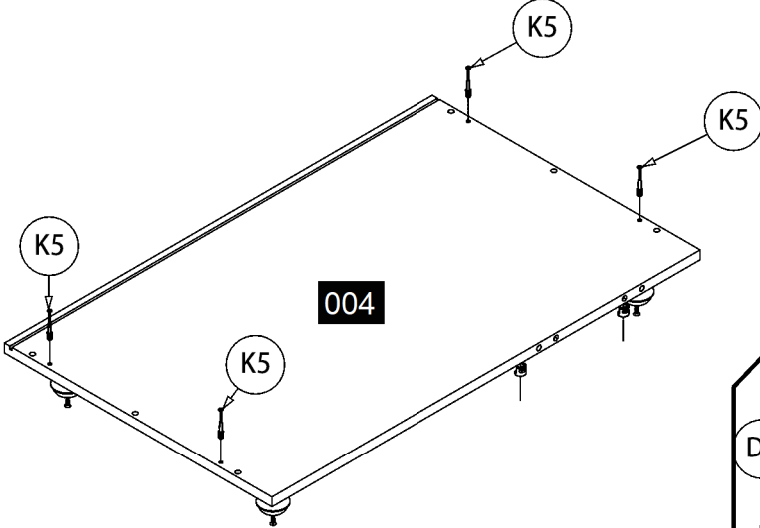
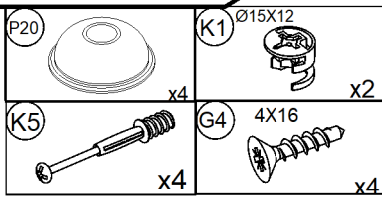
# 03



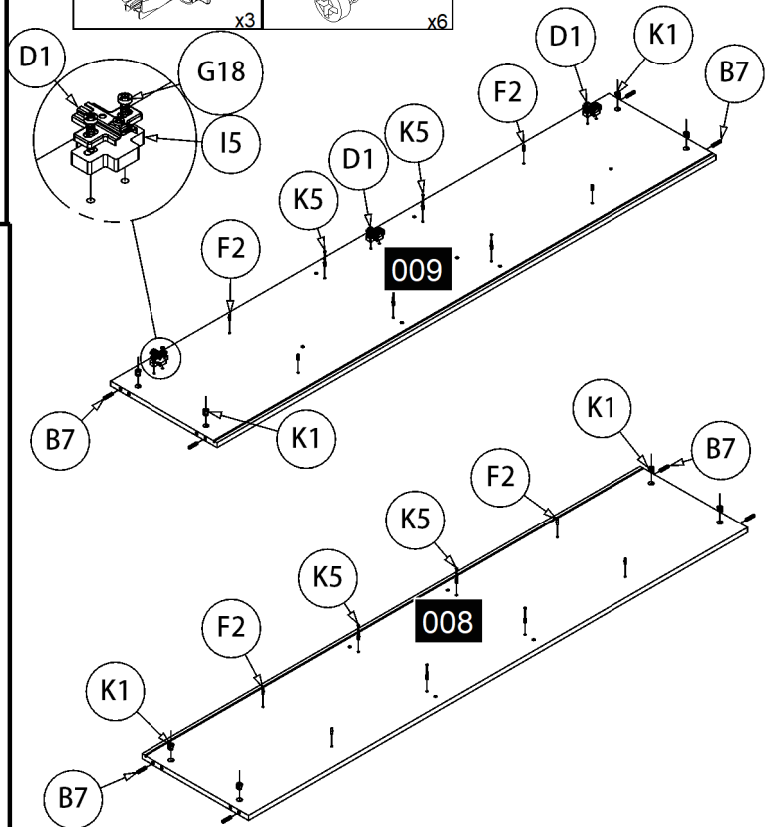
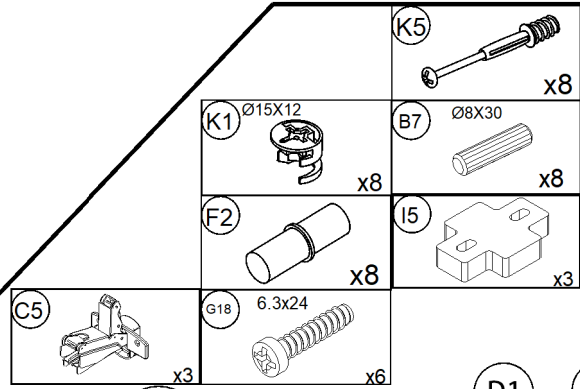
## x2

**014/015**

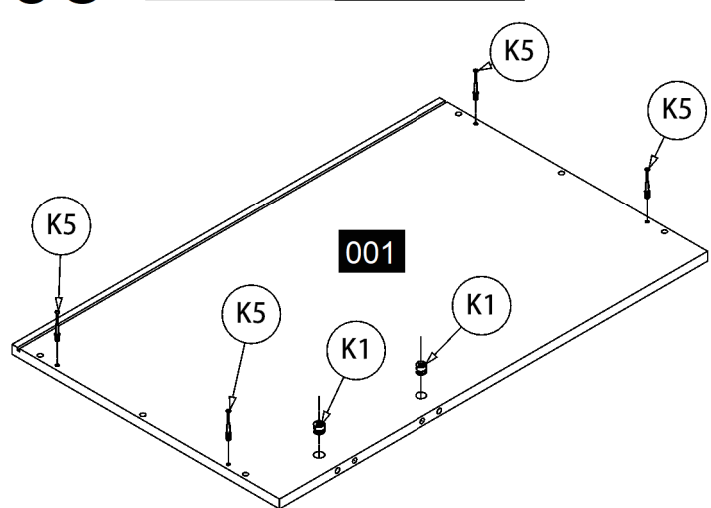
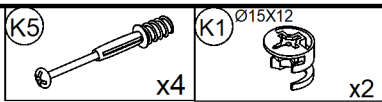
# 04

**004**

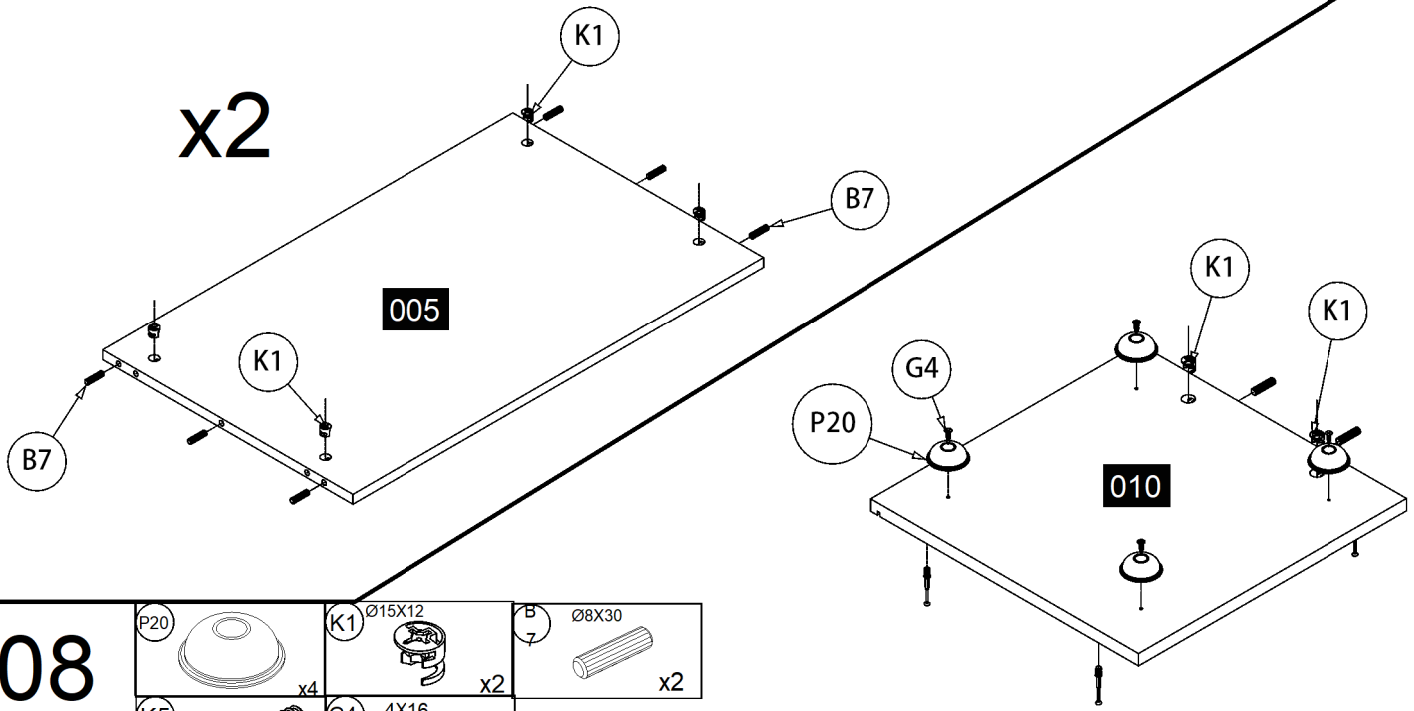
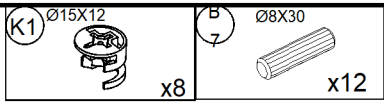
# 06

**009****008**

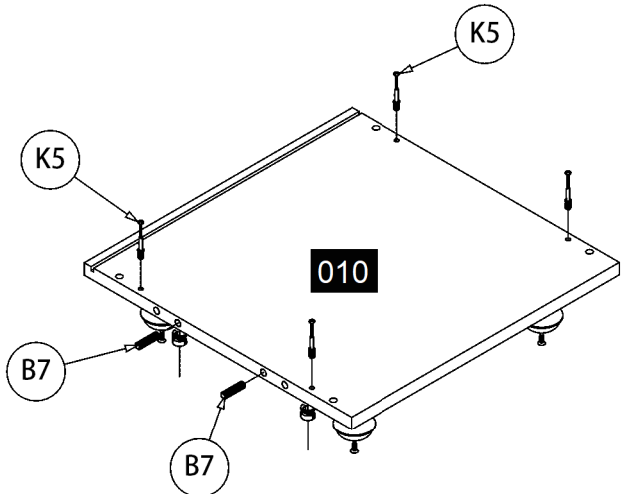
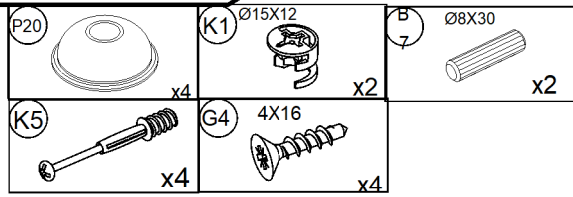
# 05

**001**

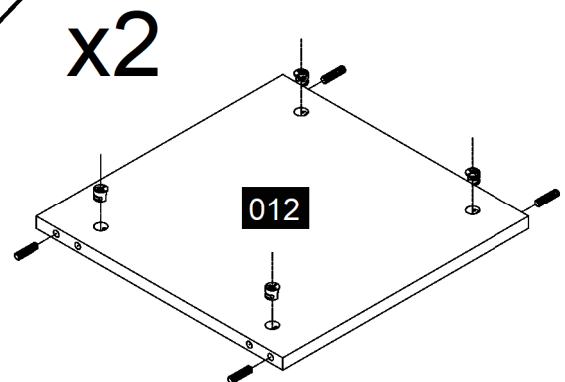
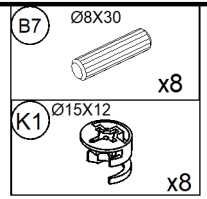
07



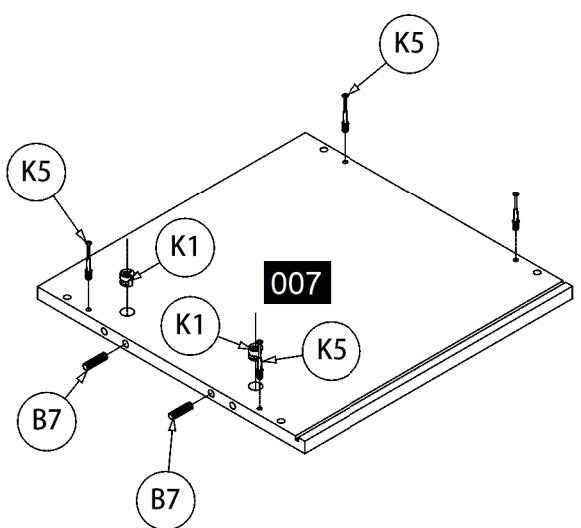
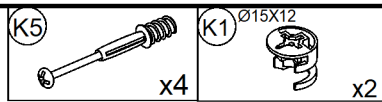
08



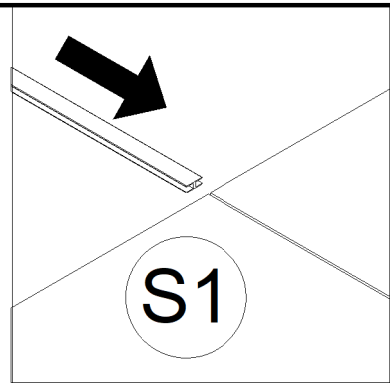
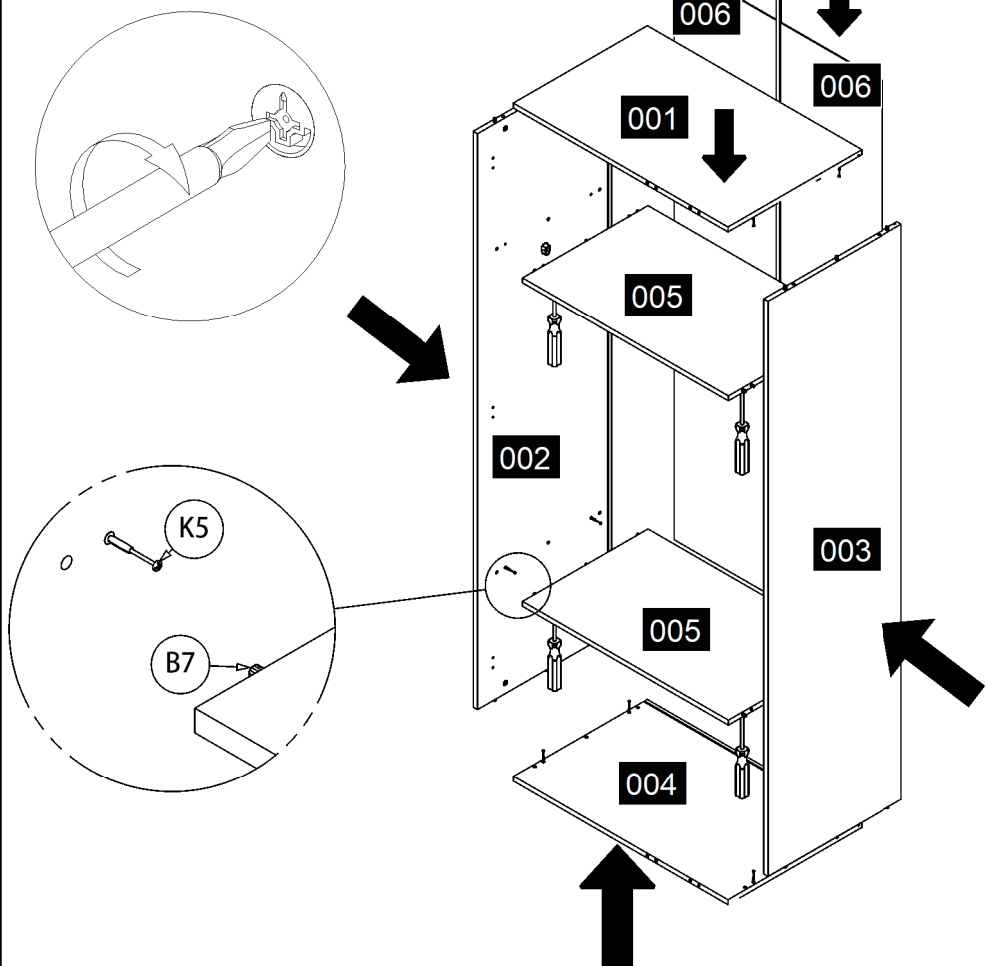
09



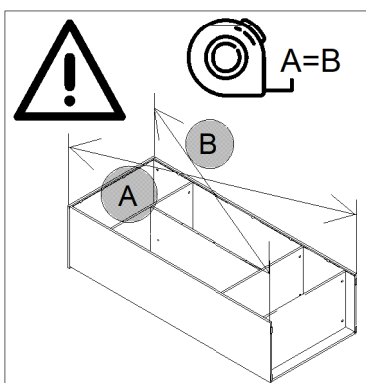
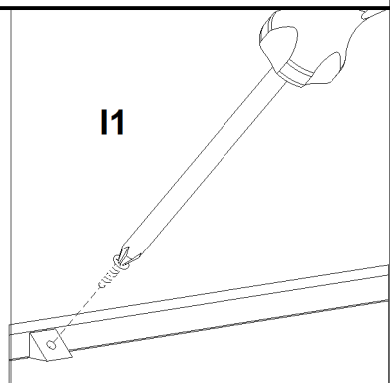
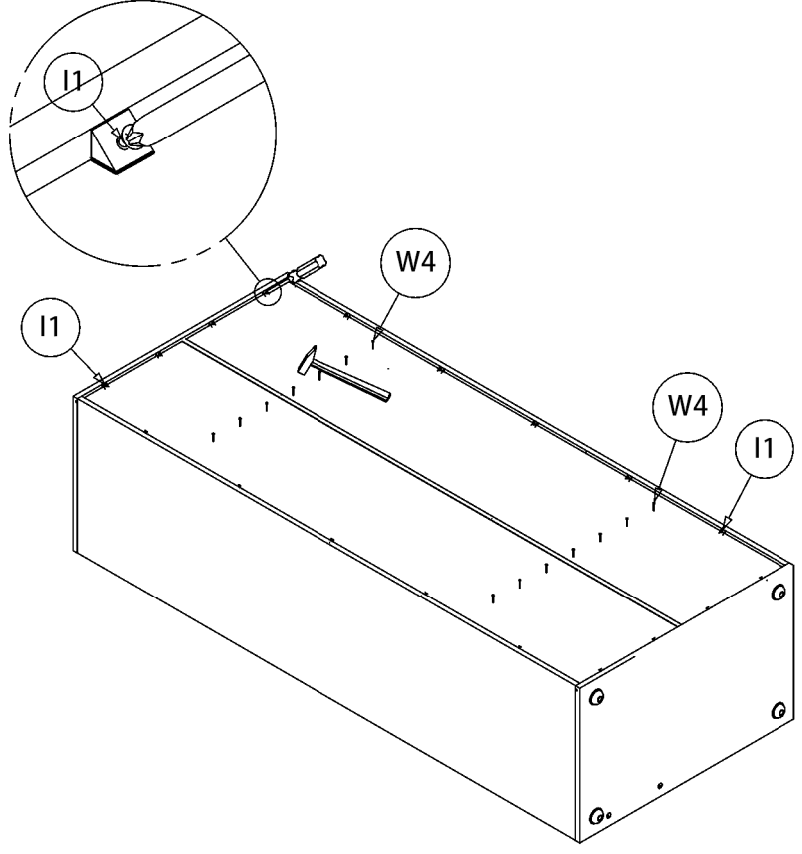
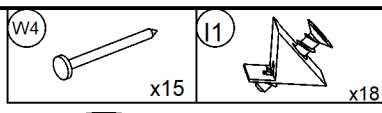
10



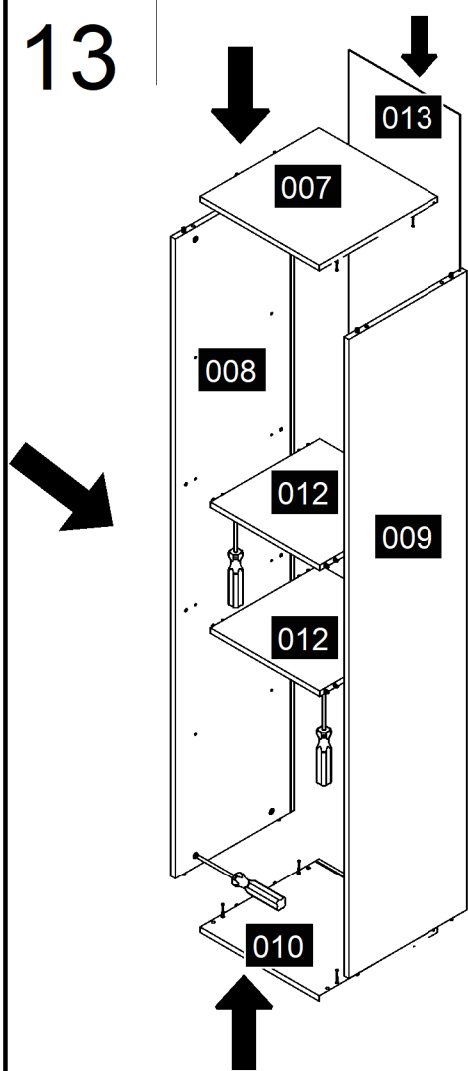
11



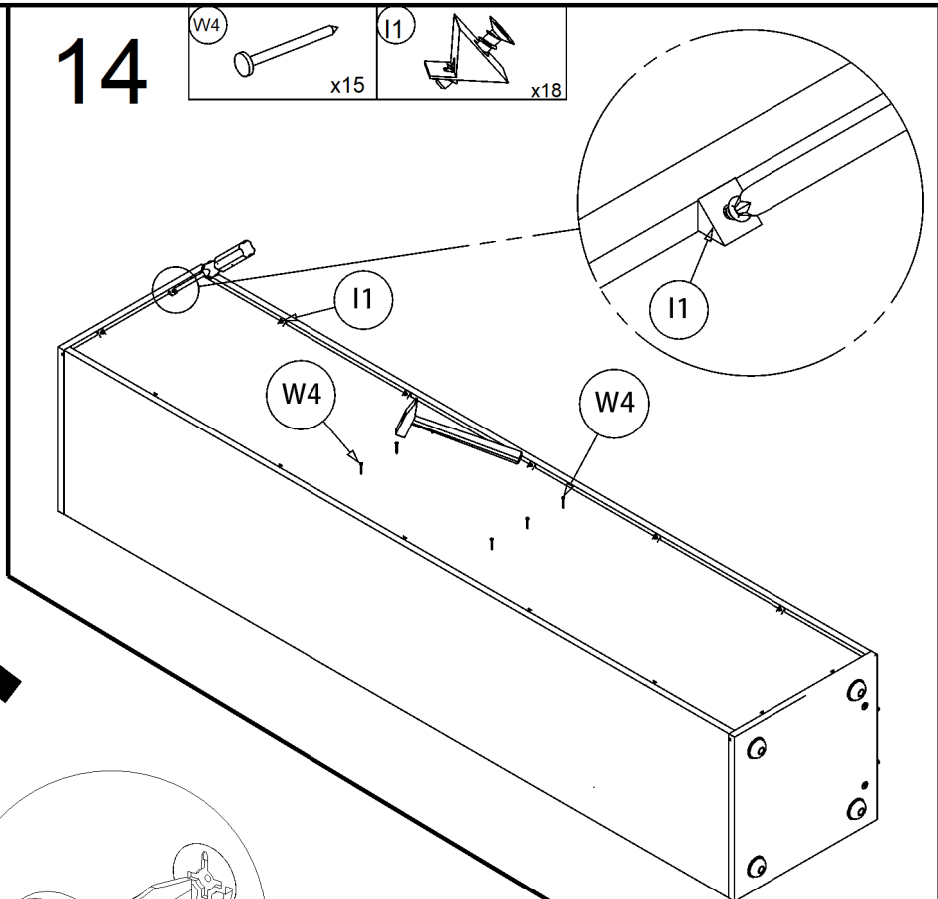
12



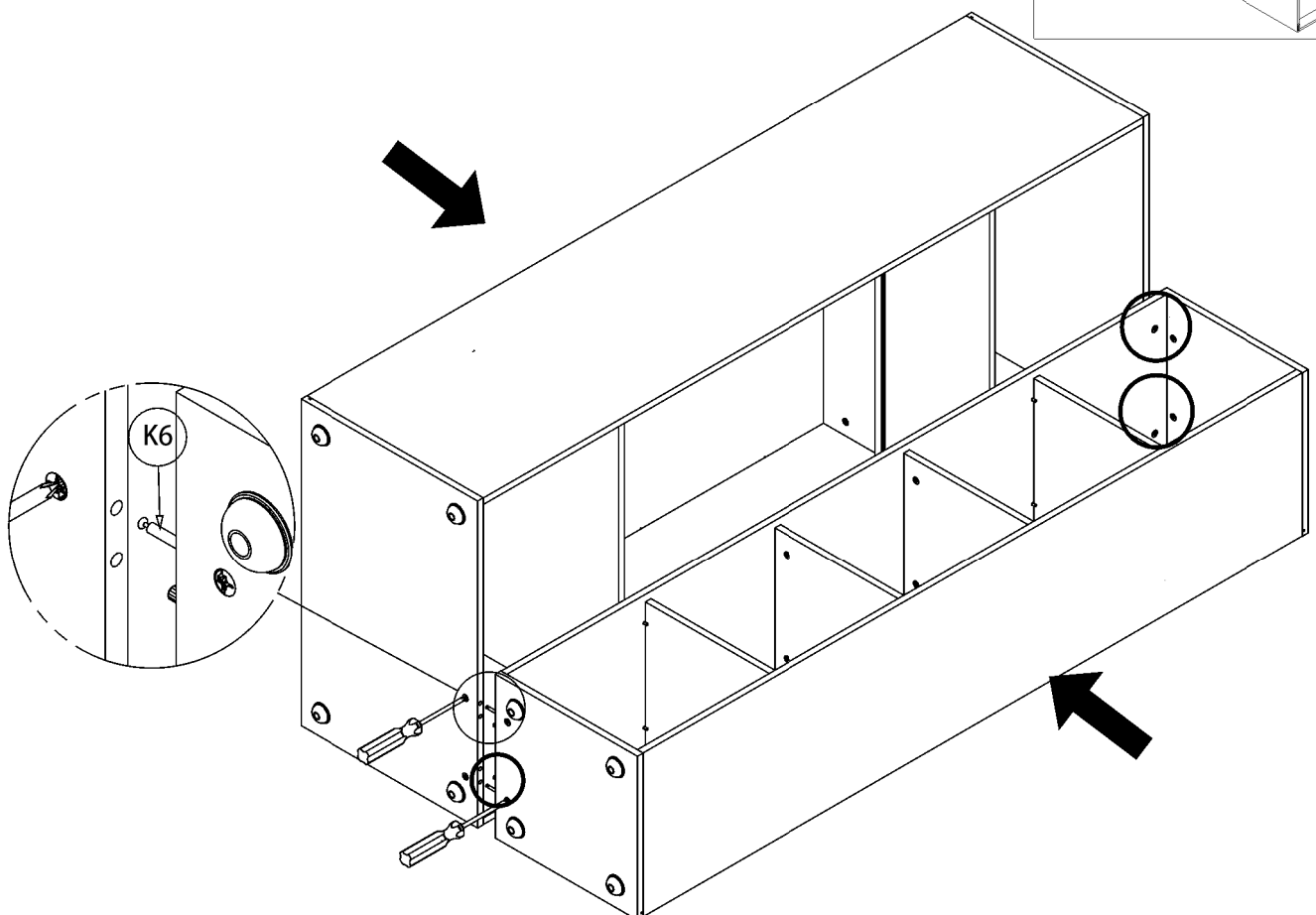
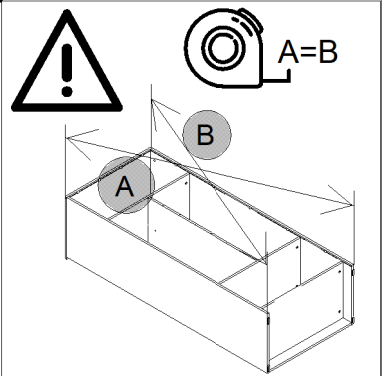
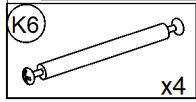
13



14

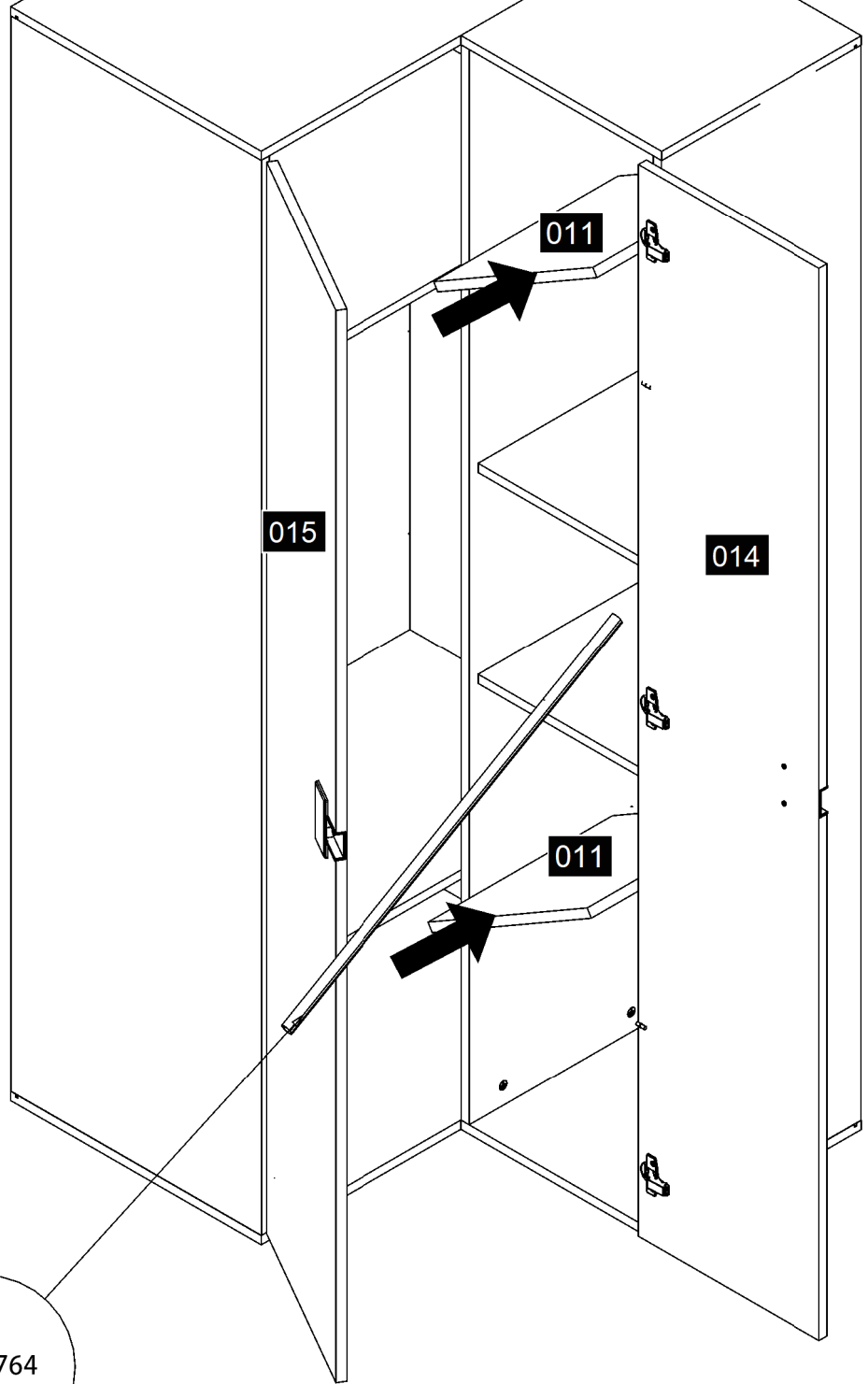
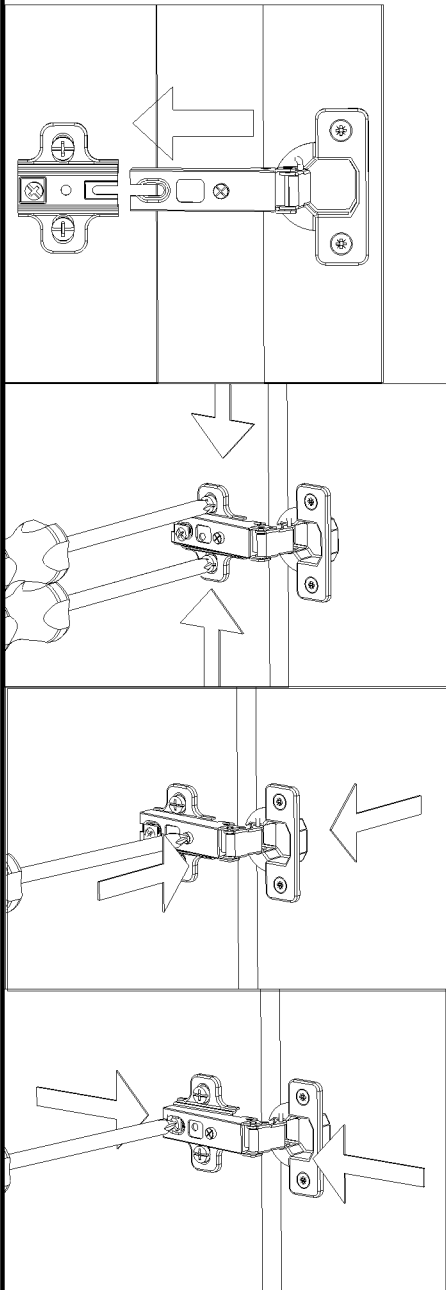


15



16

S5



S5 L=764

