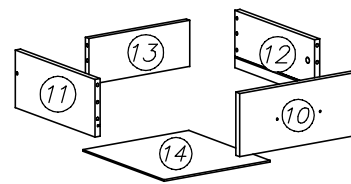
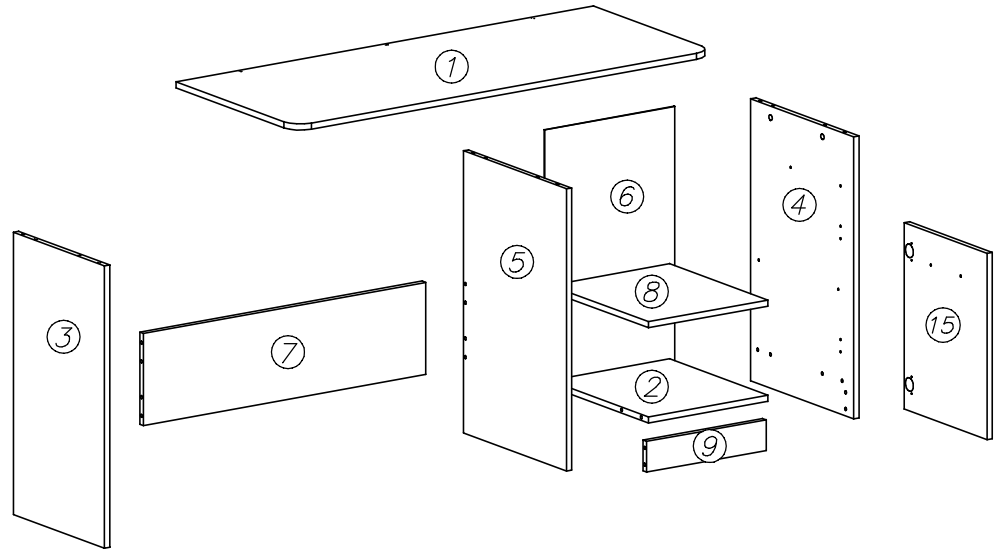
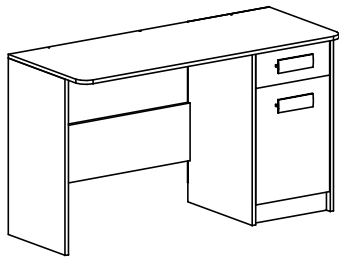
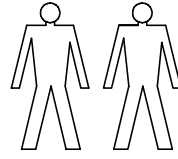
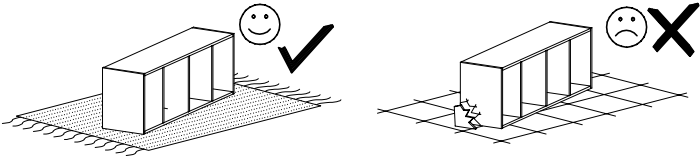
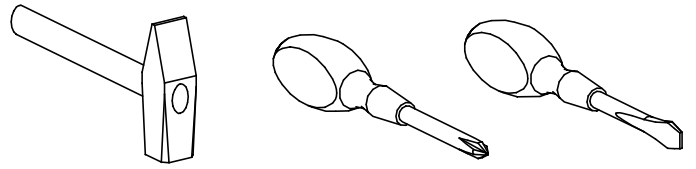

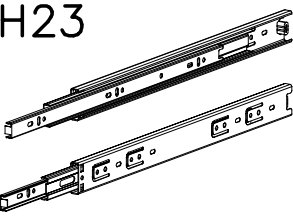



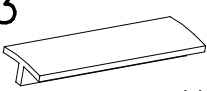
# GRANT 11




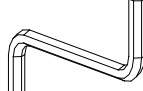
I4  
  
 ø8 x3

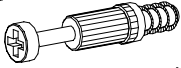
H23  
  
 350mm x1

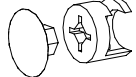
A1  
  
 ø7x50 x2

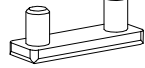
E13  
  
 x2

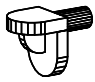
G4  
  
 4x16 x12


W2  
  
 4mm x1


K5  
  
 x16


K1  
  
 ø15x12 x16

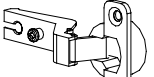
P3  
  
 x6

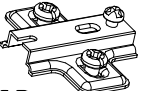
F1  
  
 x4

B1  
  
 ø8x35 x26

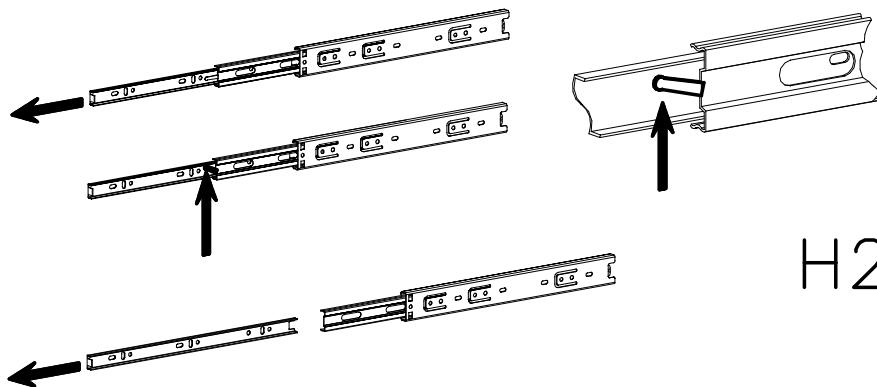
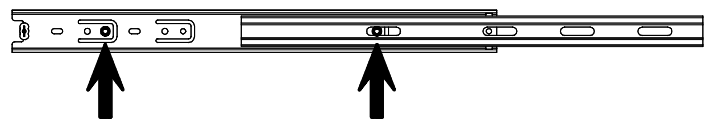
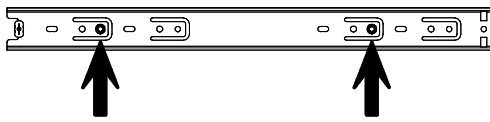
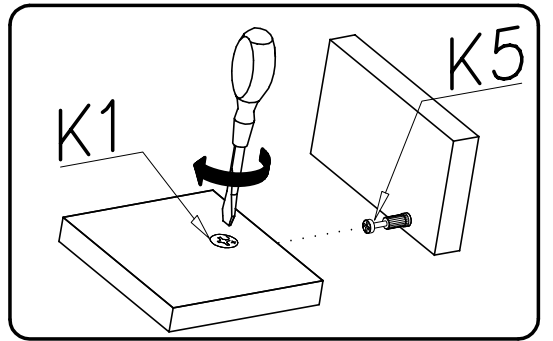
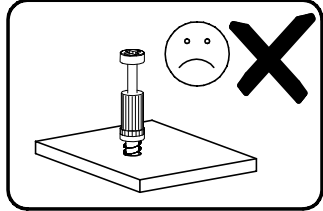
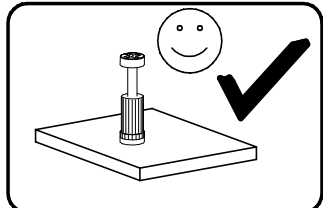
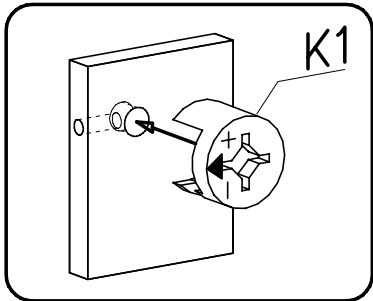
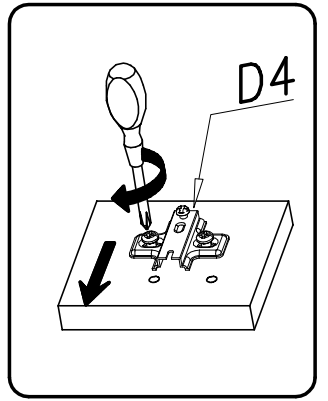
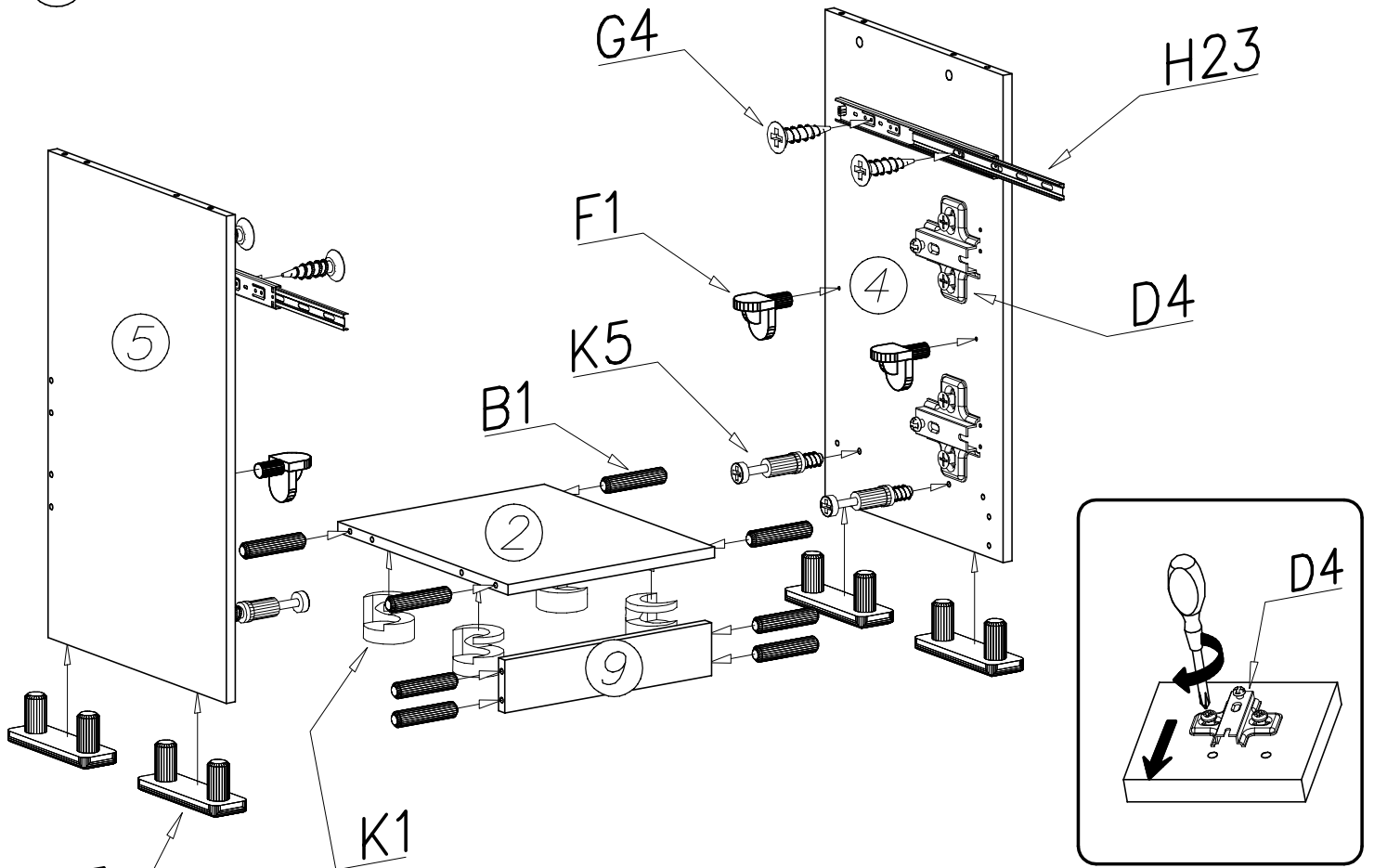
W4  
  
 x28

N15  
  
 M4x25 x4

C4  
  
 Z350D x2

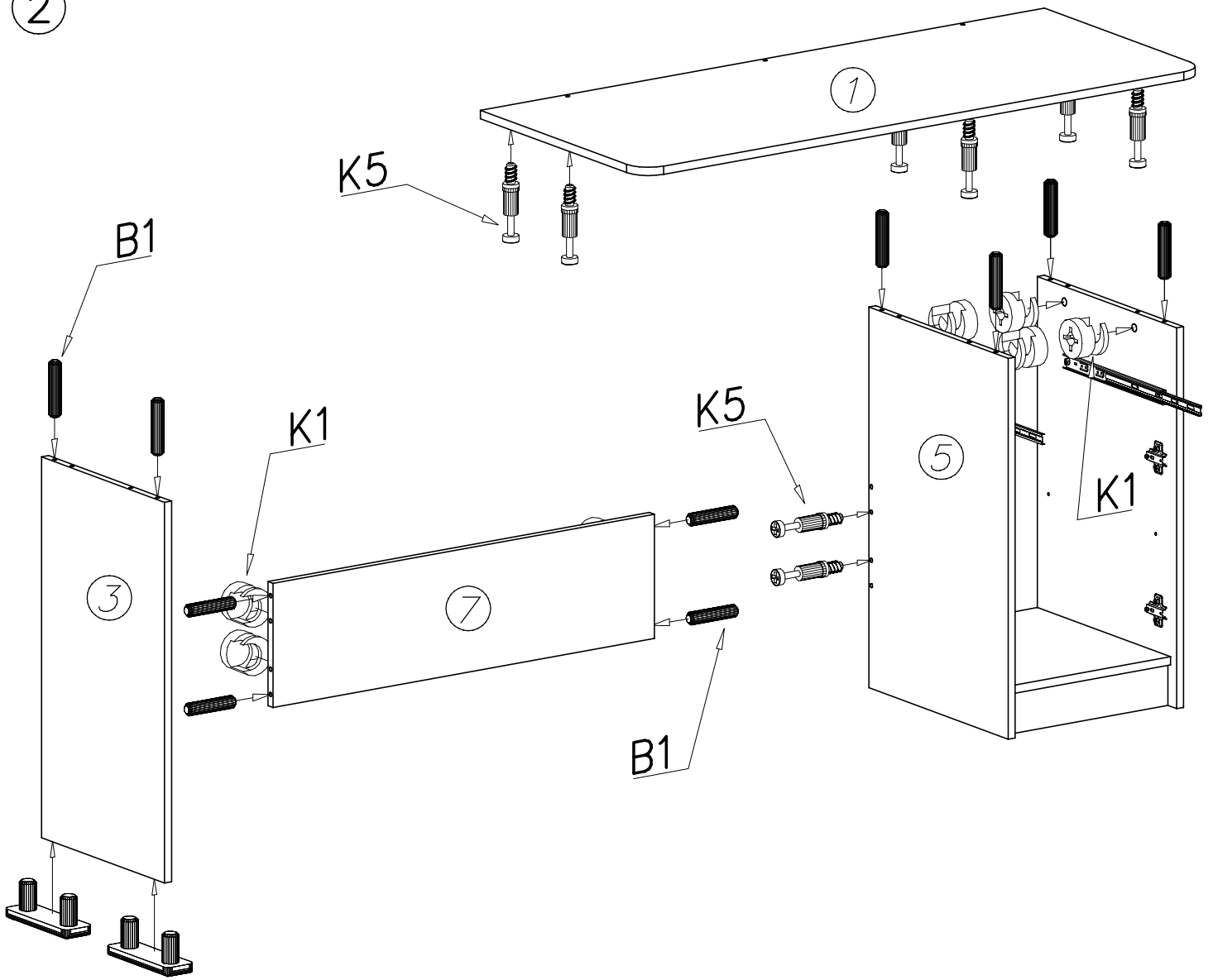
D4  
  
 PZ350D x2

1

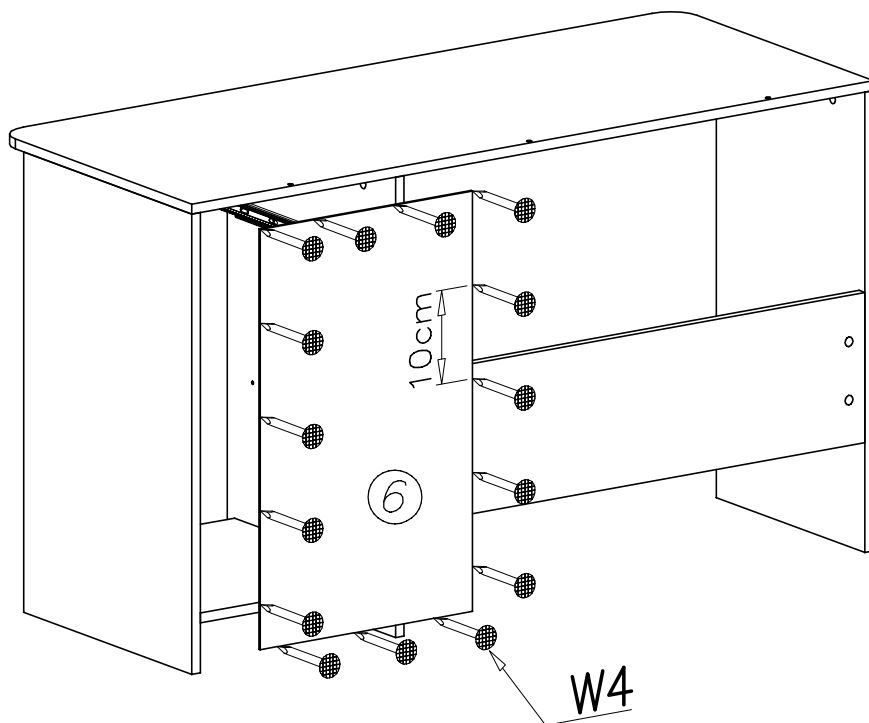


H23

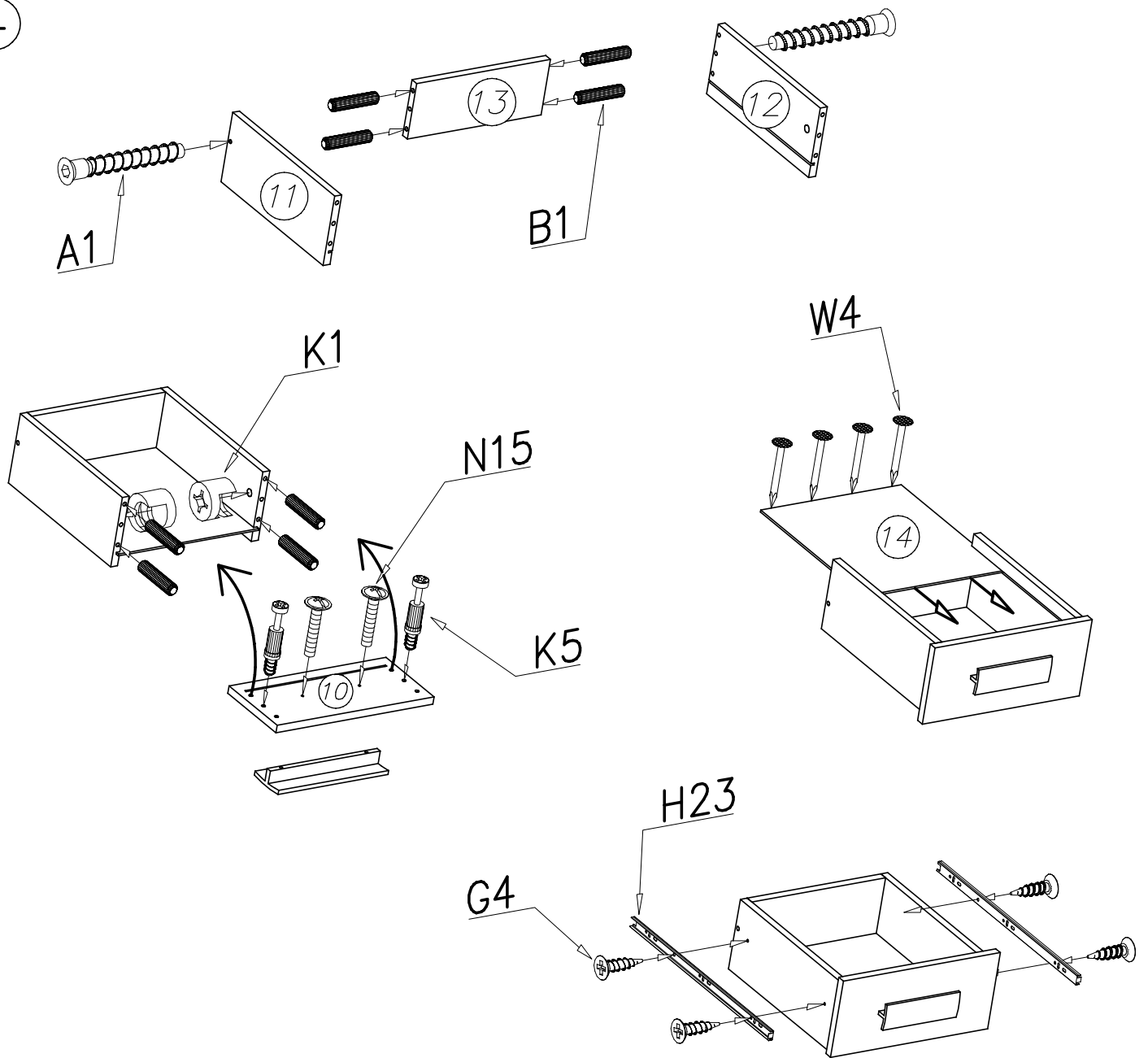
2



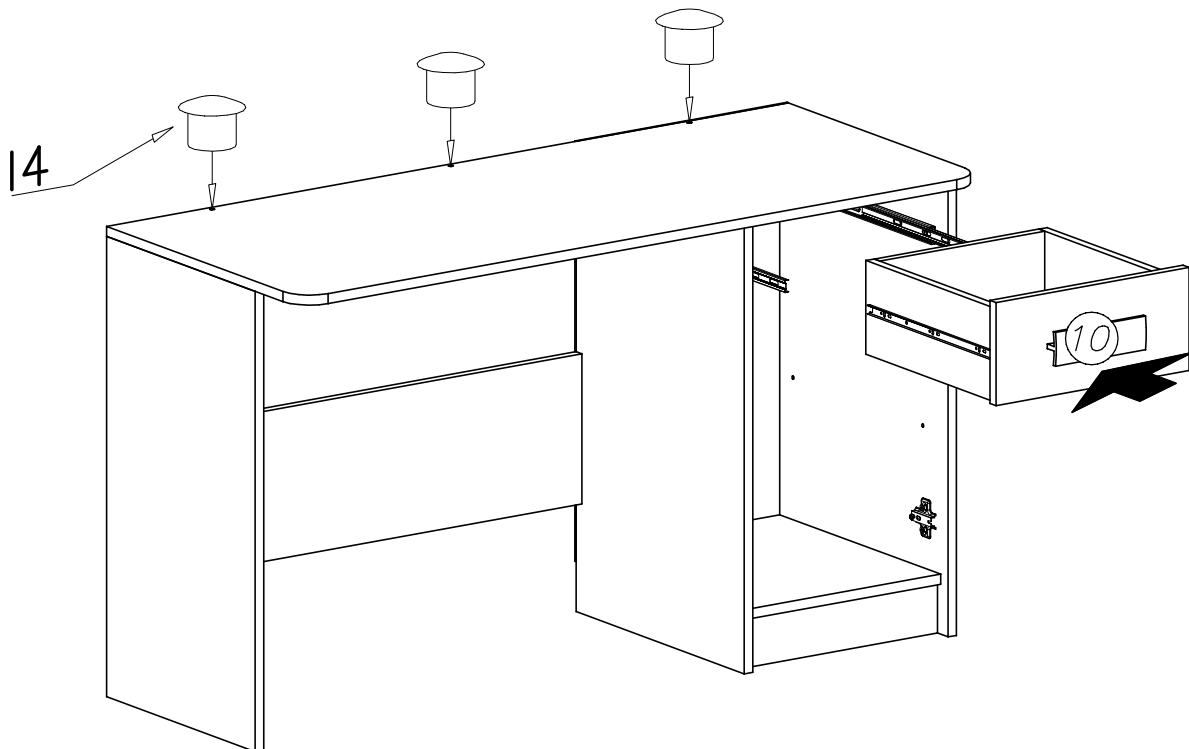
3



4



5



6

