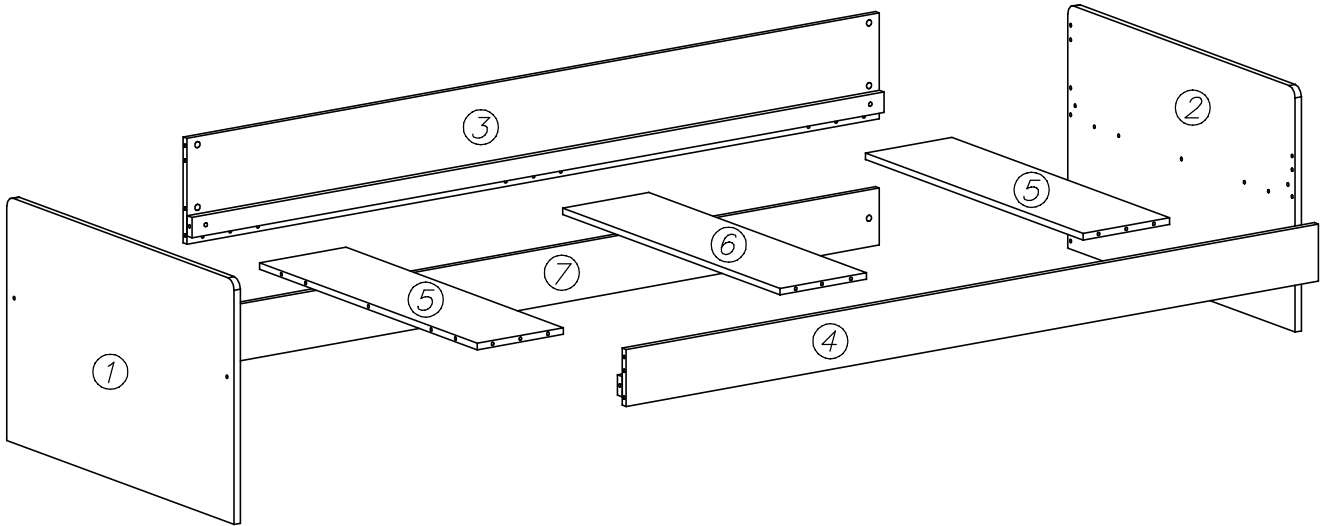
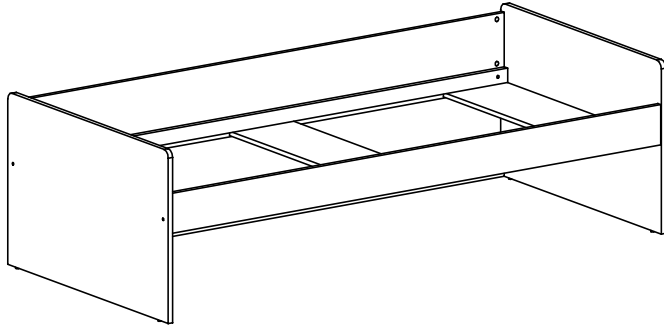
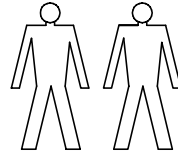
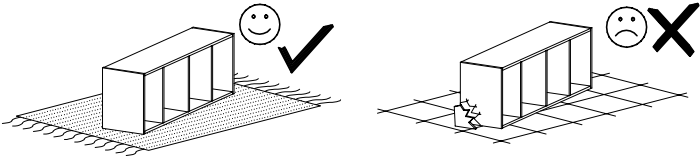
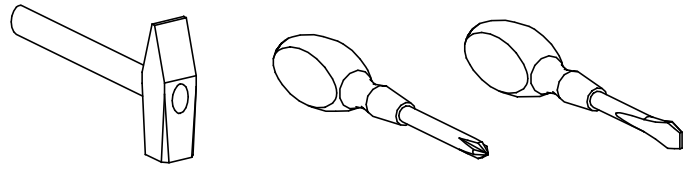

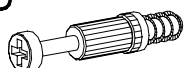



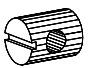
GRANT 09




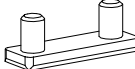
K1  $\varnothing 15 \times 12$ x20


K5  x20


G4  4x16 x4

N9  x4

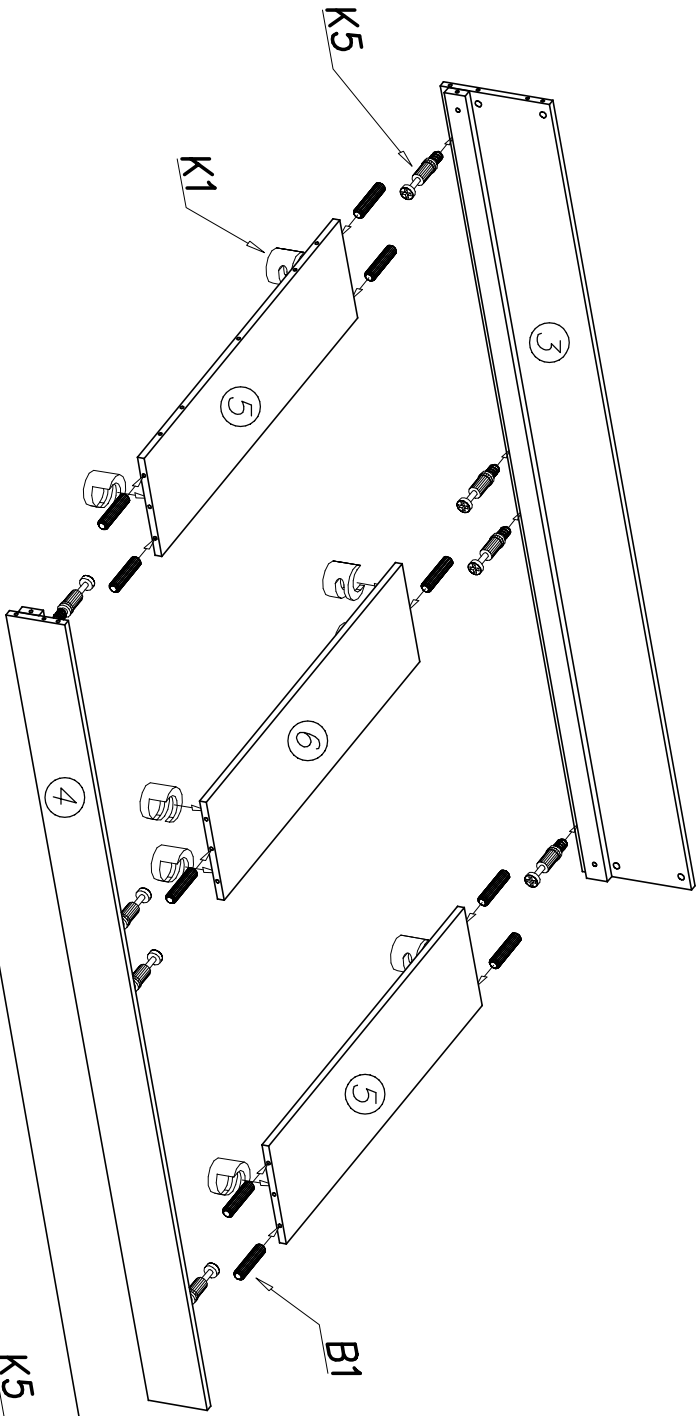
N18  x4

P3  x4

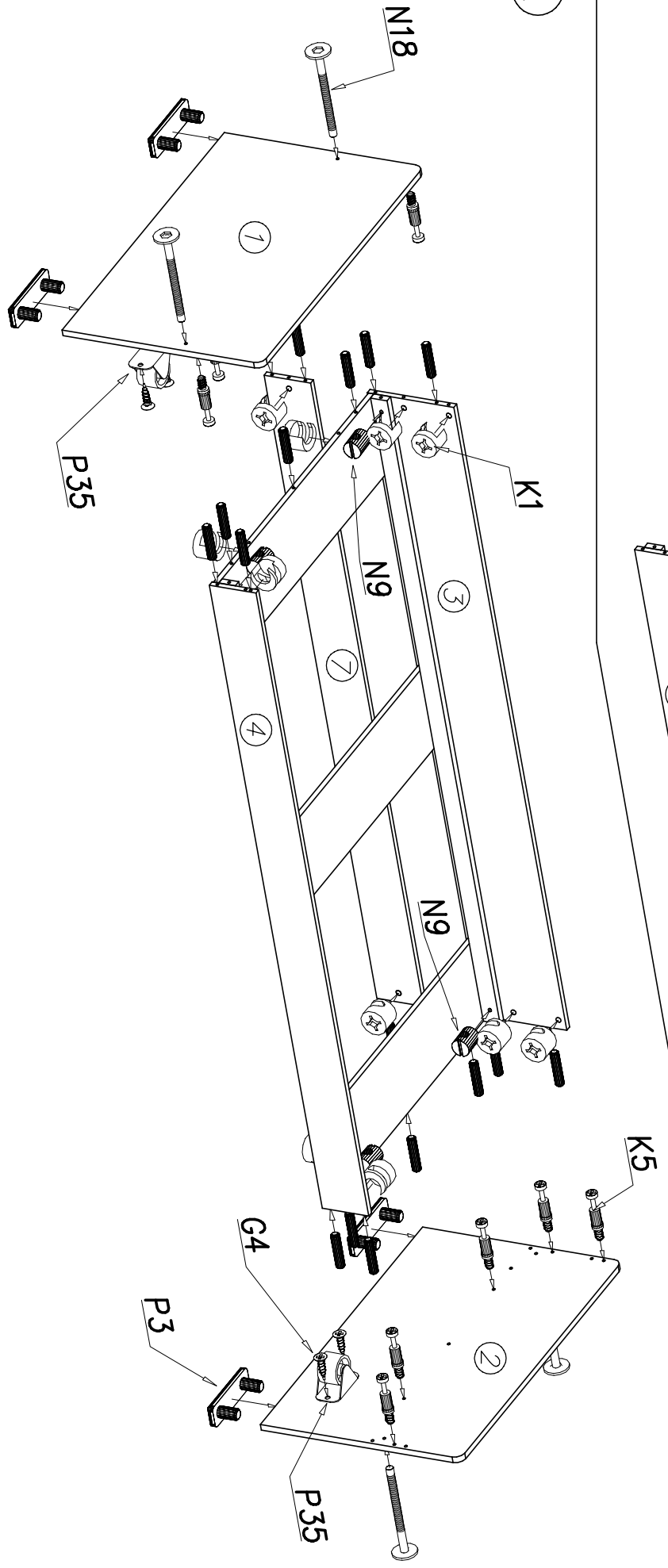
B1  $\varnothing 8 \times 35$ x28

P36  x2

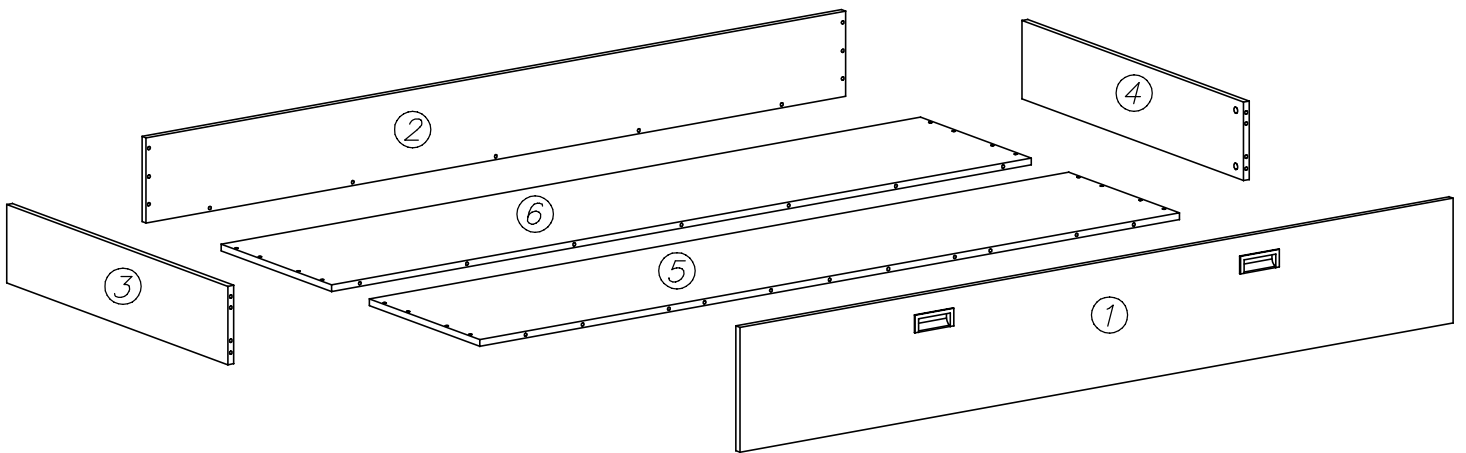
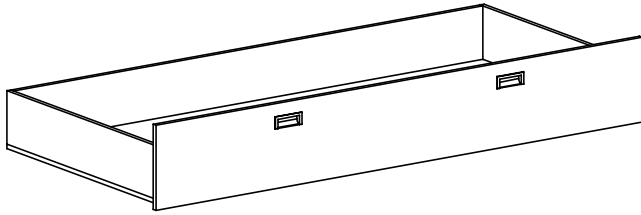
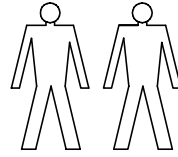
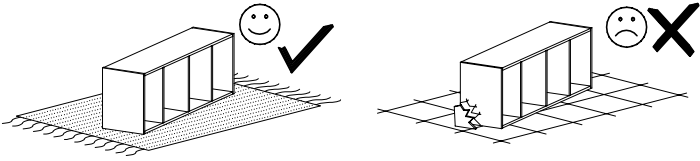
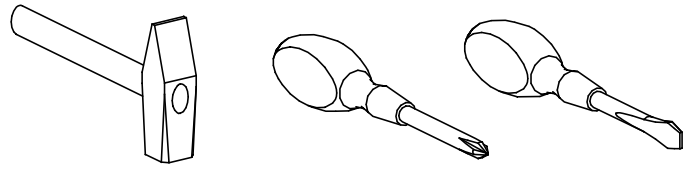
1

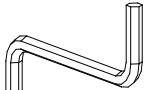



2

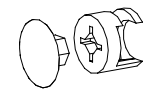


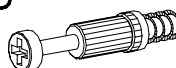
GRANT 09





W2
4mm

x1


A1

ø7x50
x19

K1

ø15x12
x10

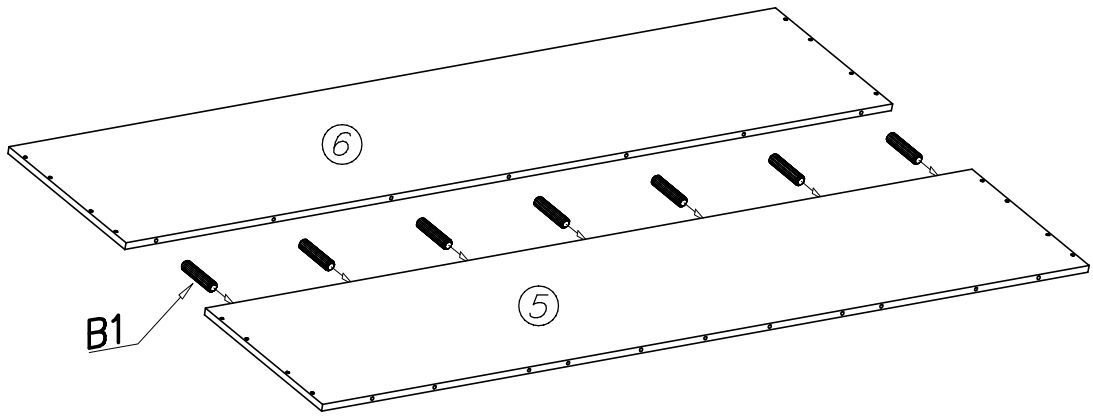
K5

x10

G4

4x16
x16

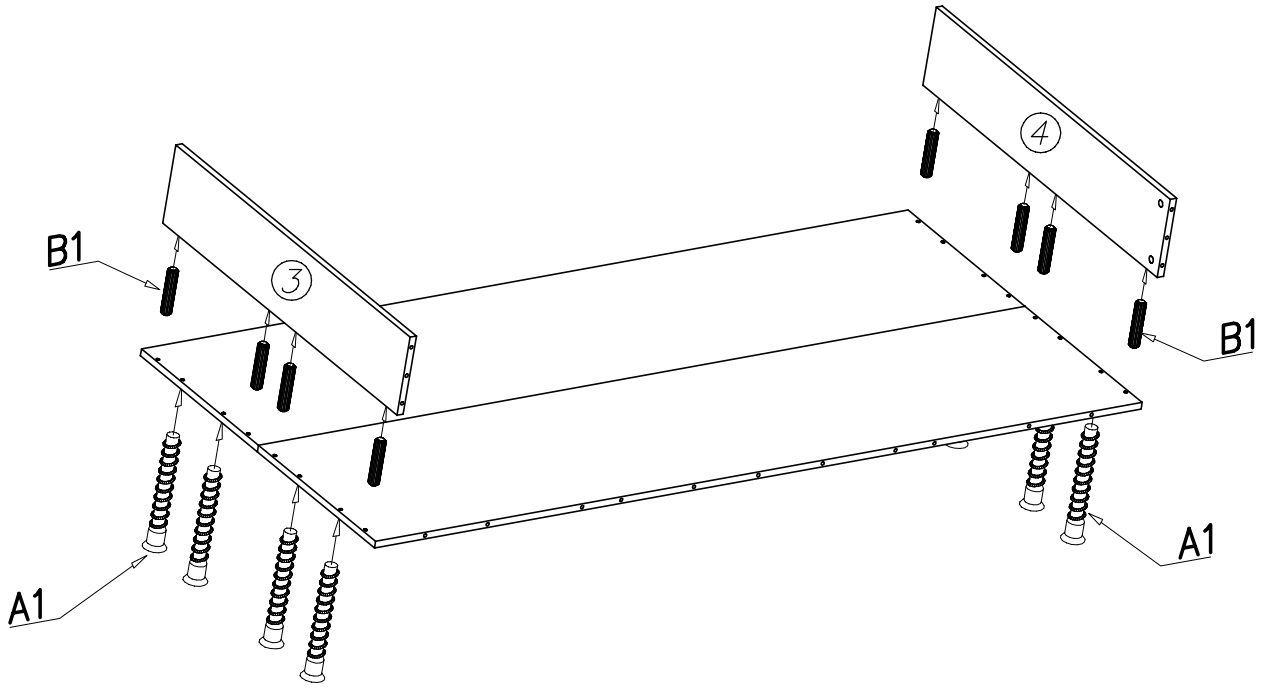
B1

ø8x35
x26

P36

x8

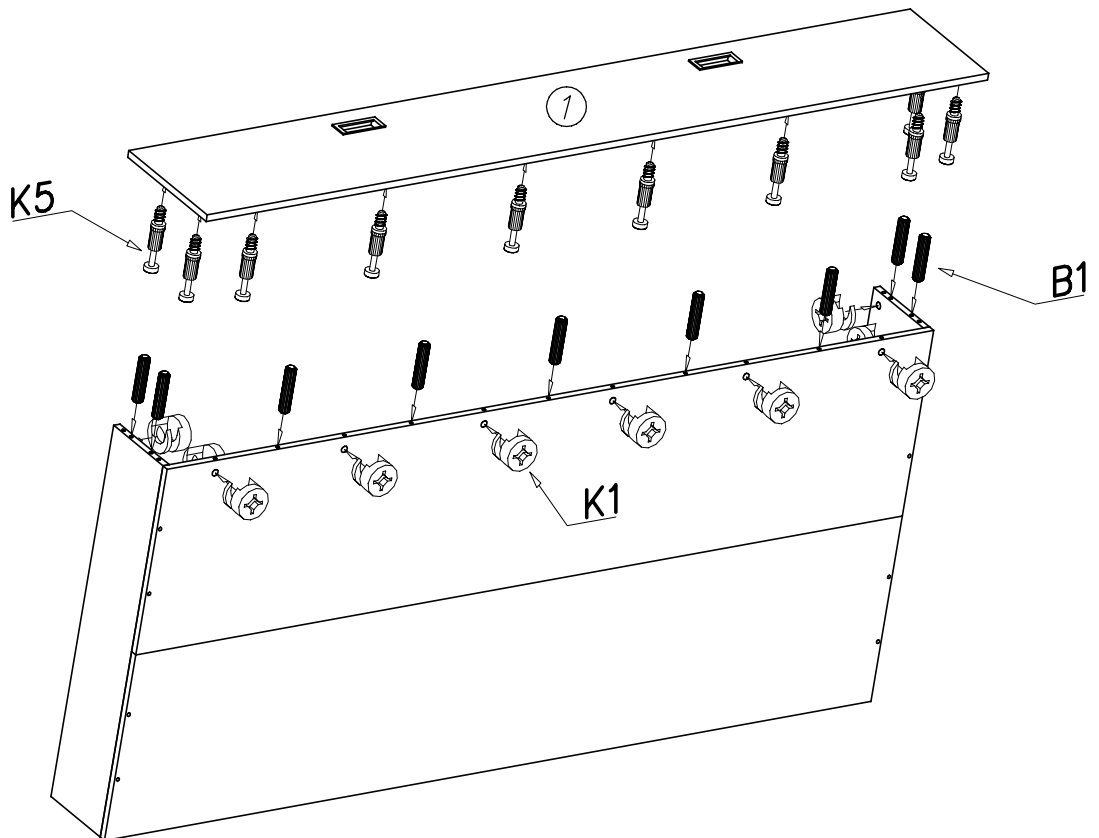
1



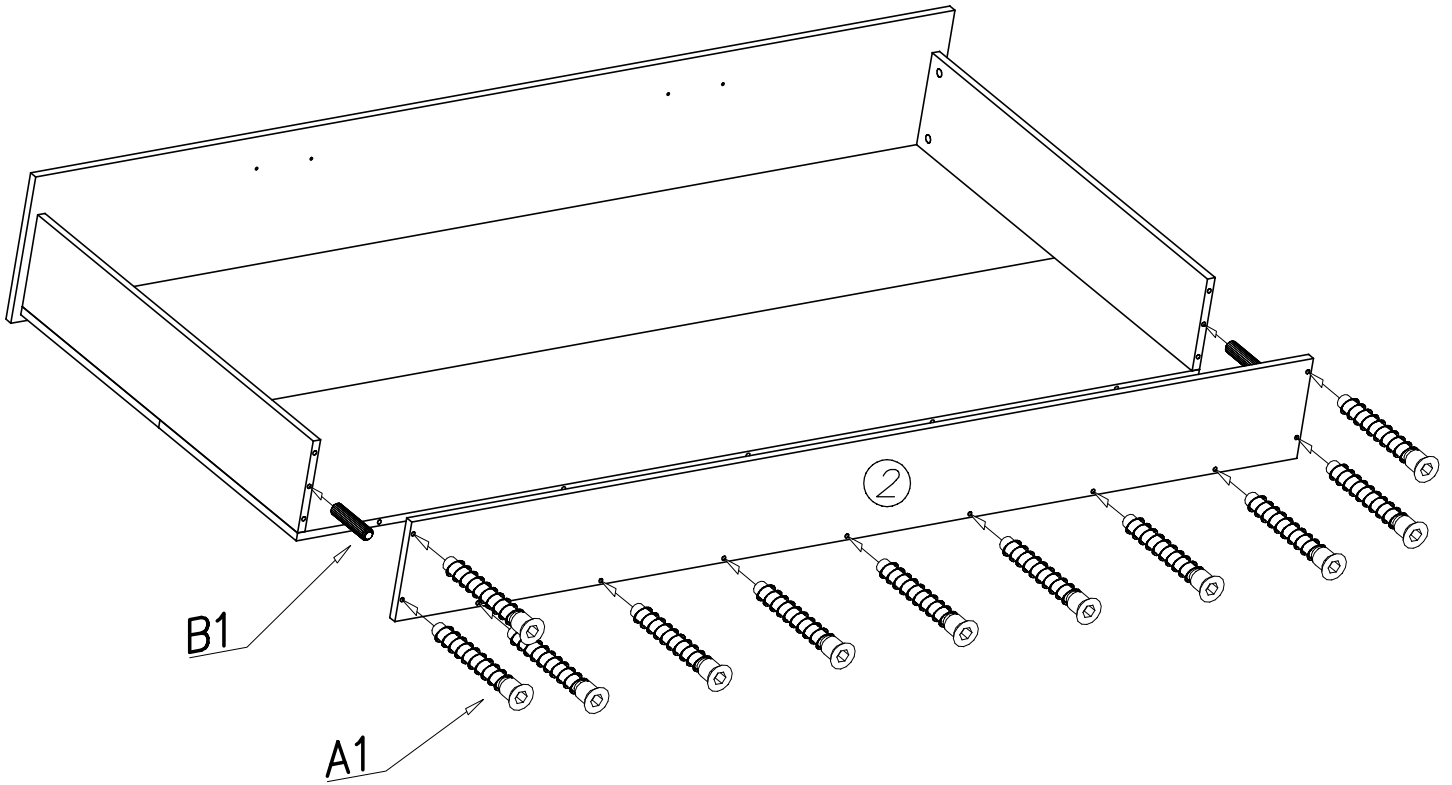
2



3



4



5

