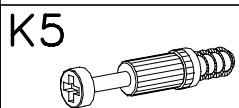
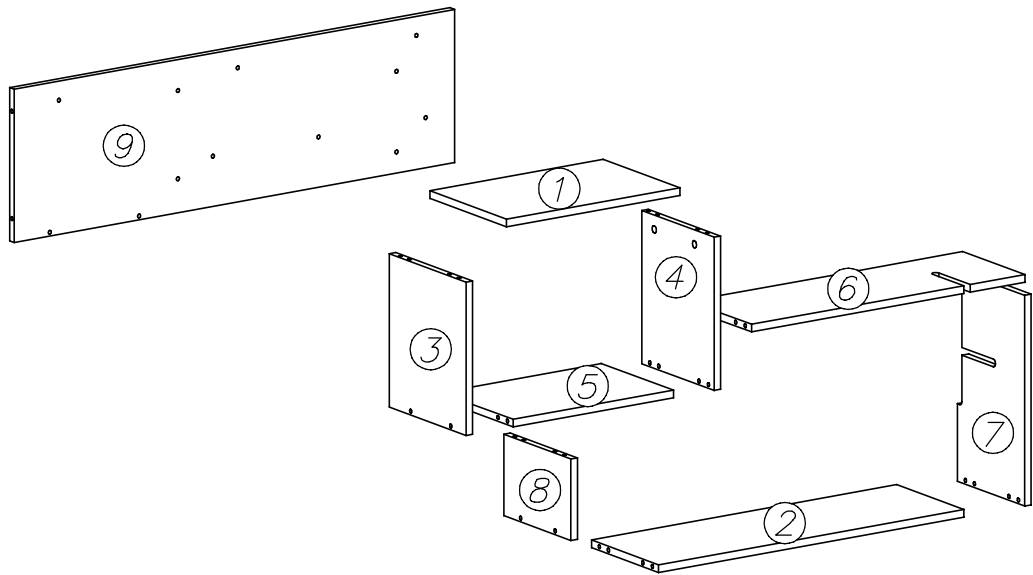
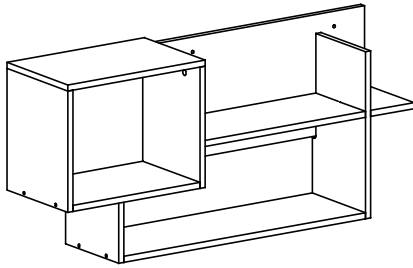
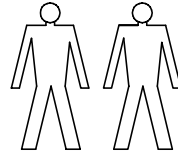
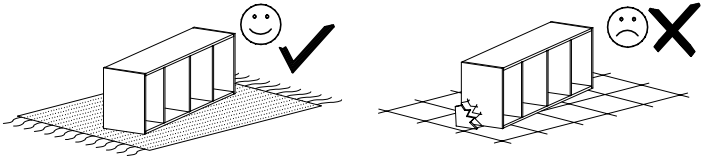
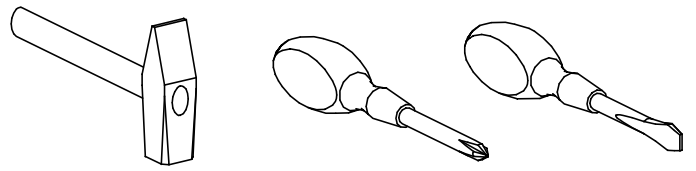
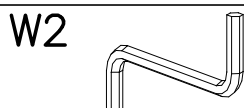


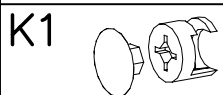
GRANT 03



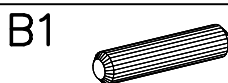
K5
x8



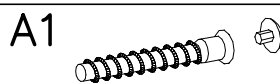
W2
4mm x1



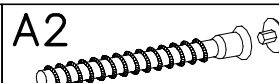
K1
ø15x12 x8



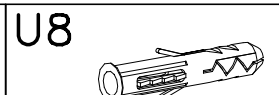
B1
ø8x35 x18



A1
ø7x50 x17

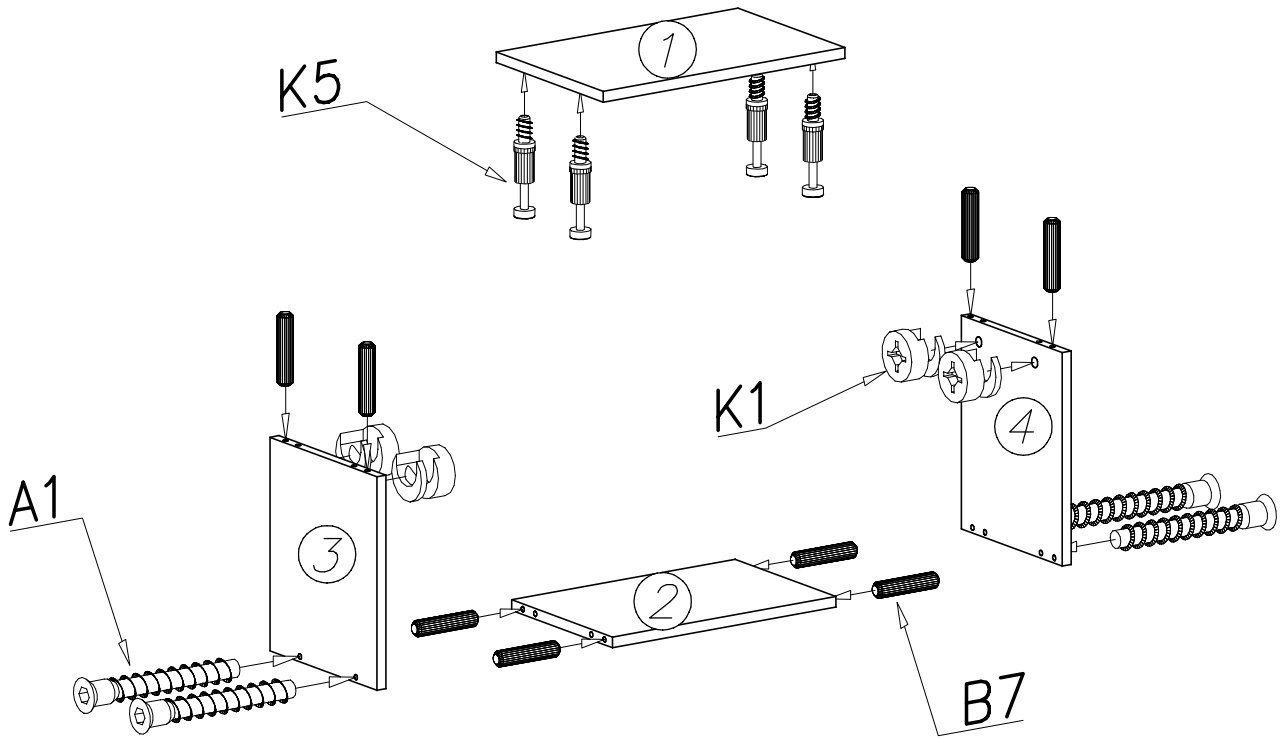


A2
ø7x70 x3

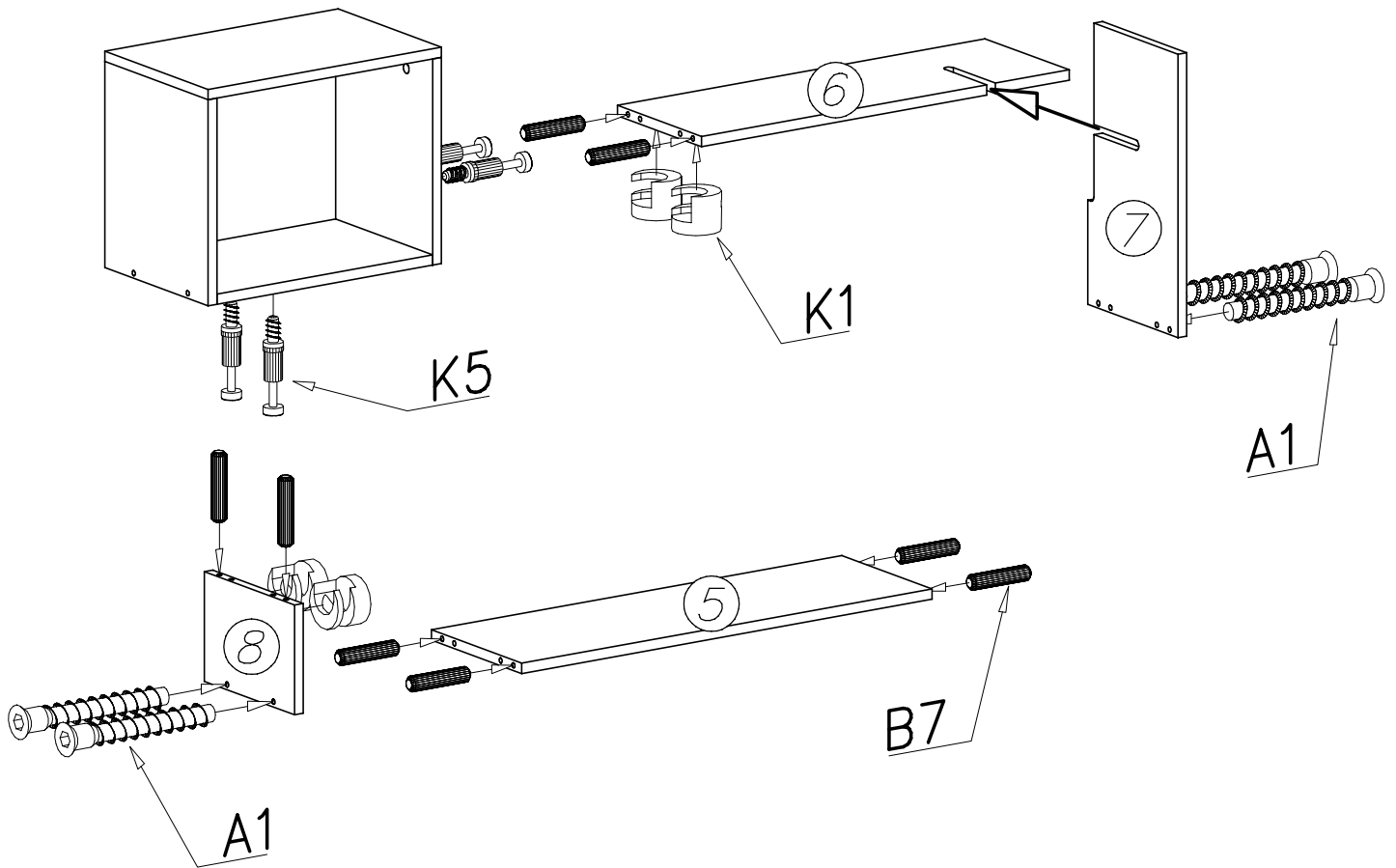


U8
x3

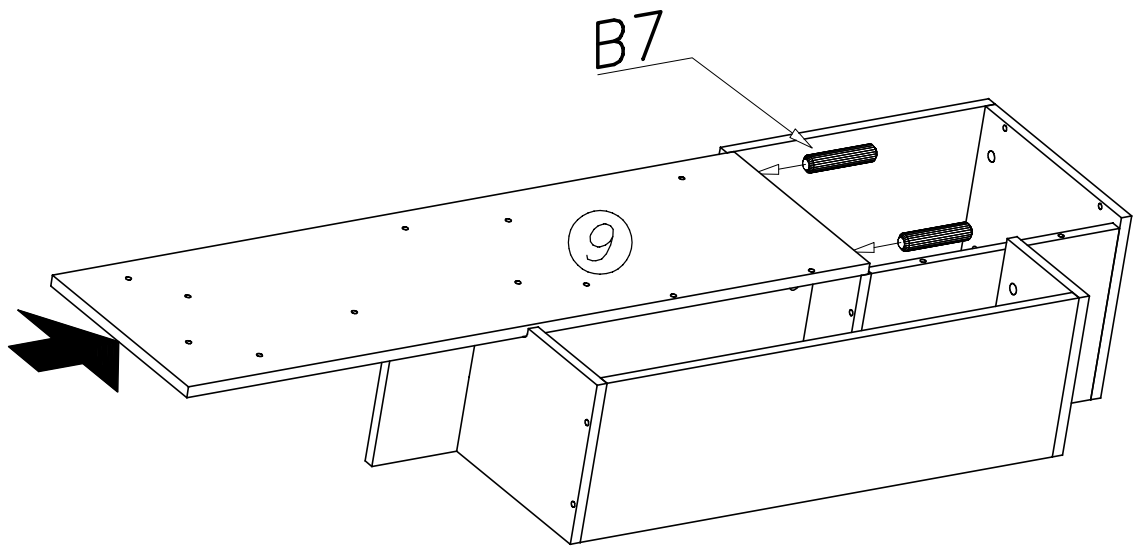
1



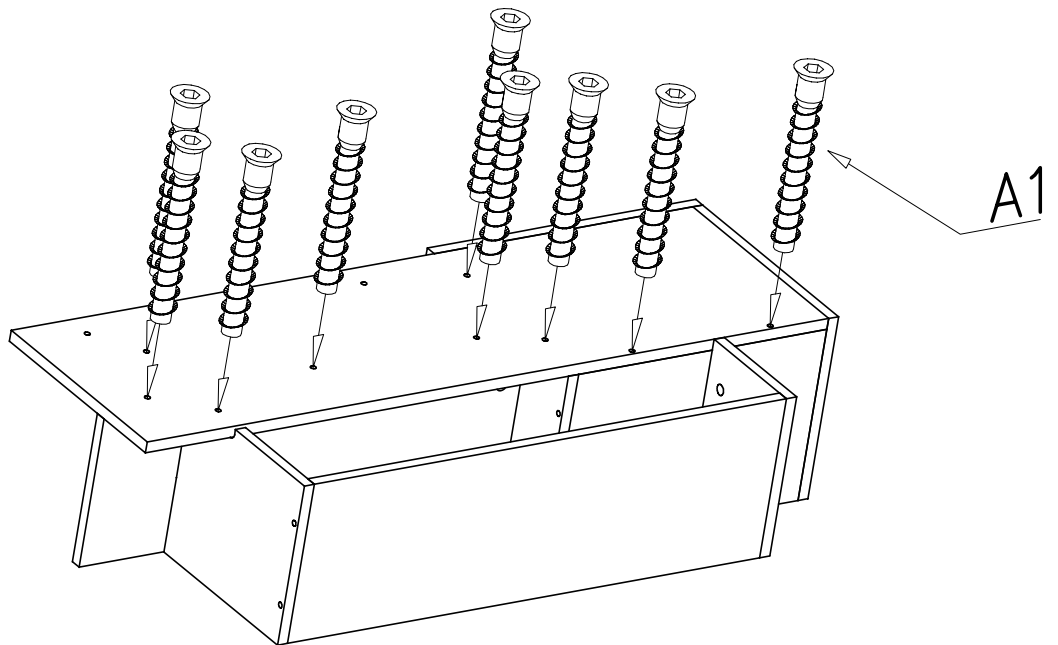
2



3



4



5

