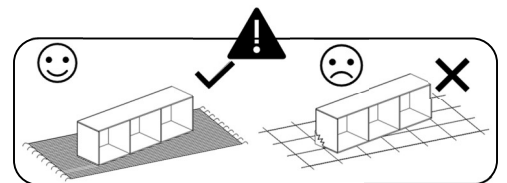
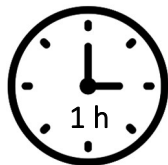
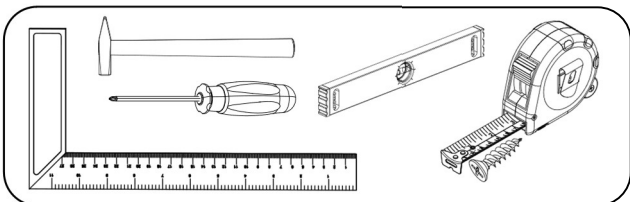
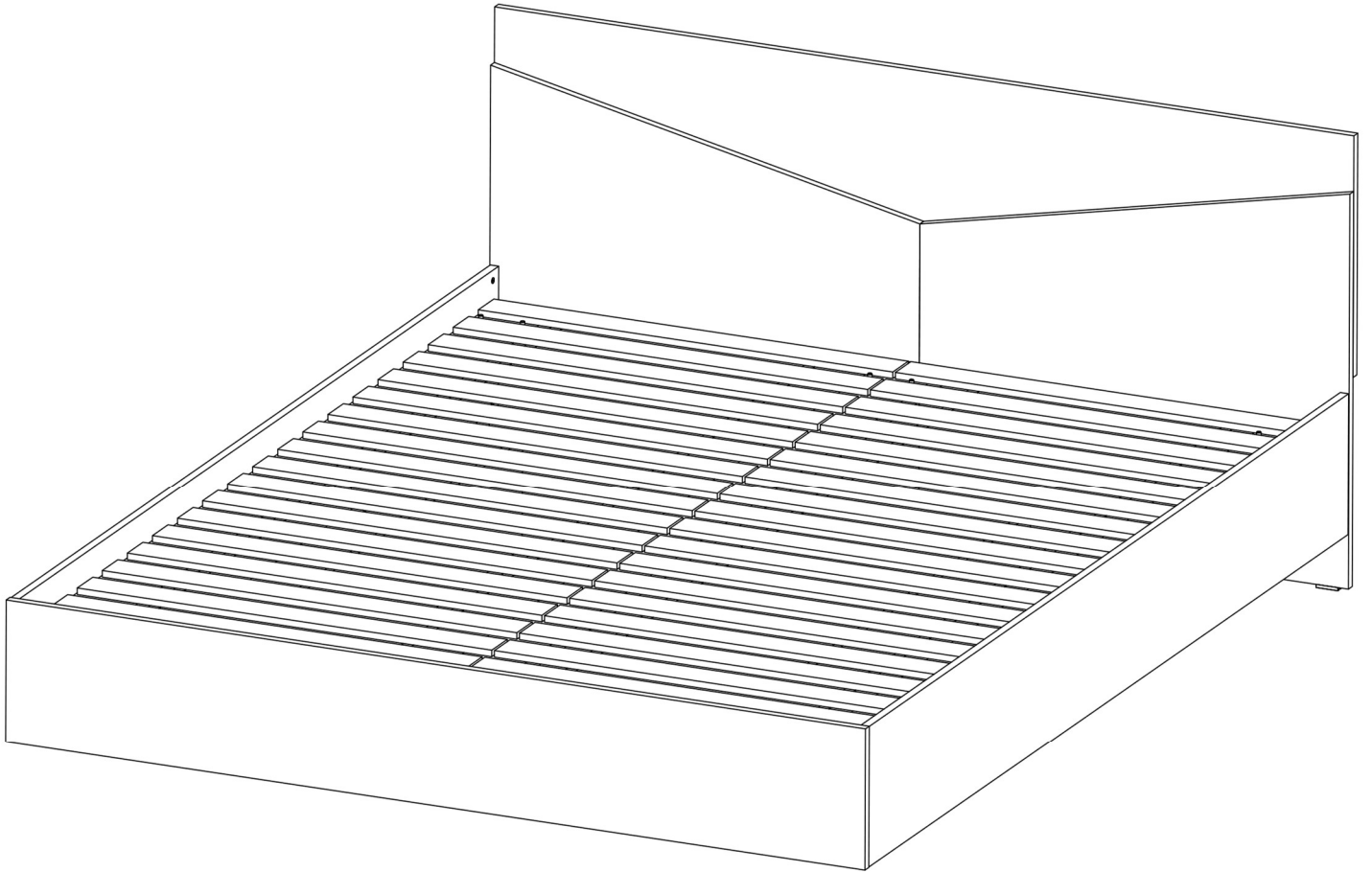
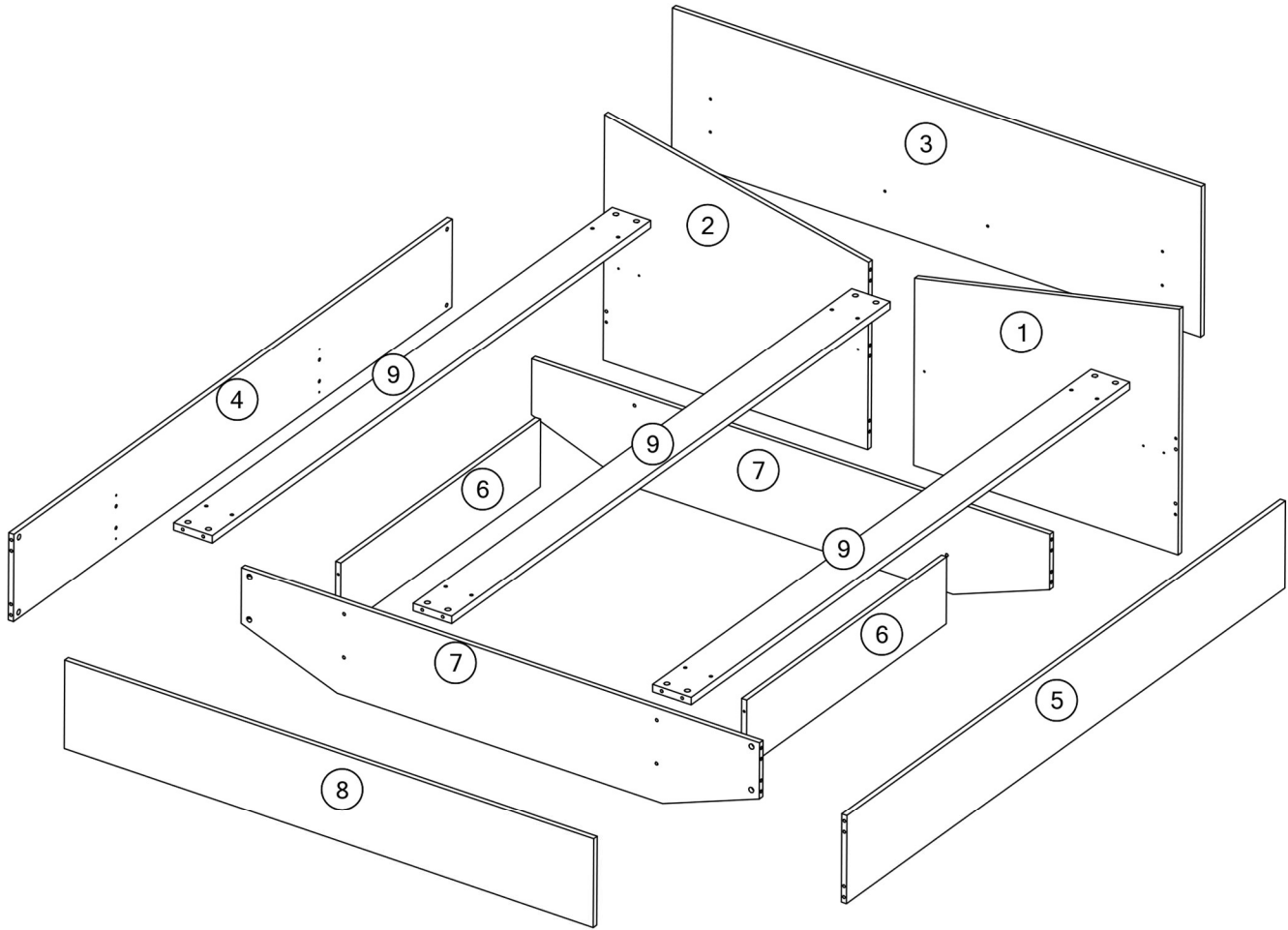
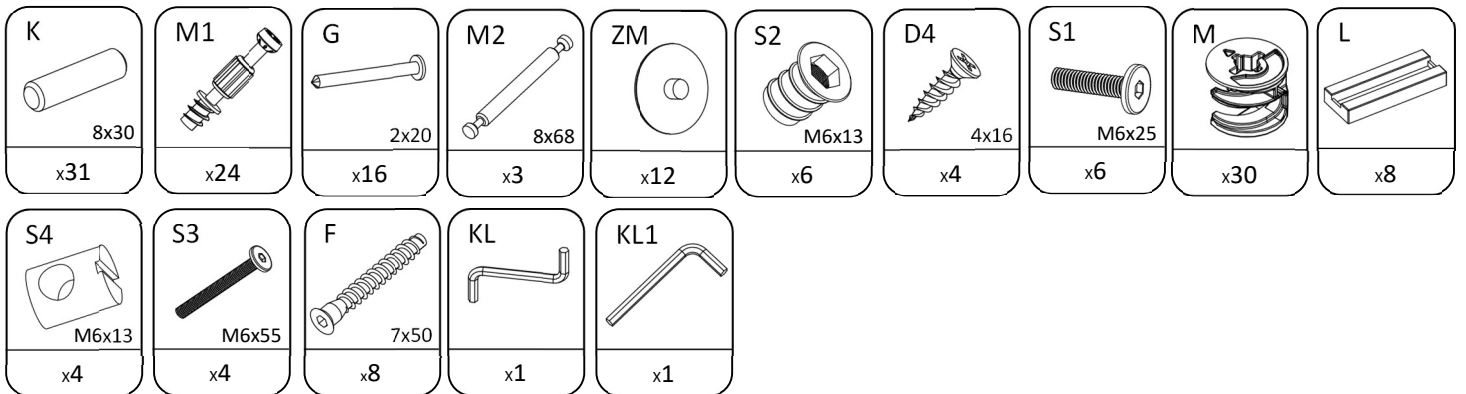
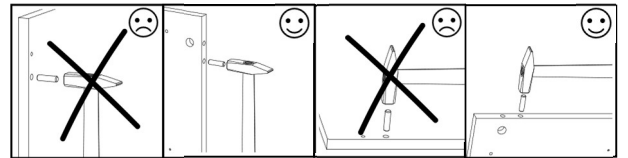
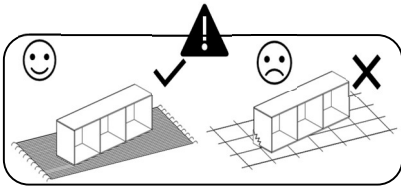


ASTON 9

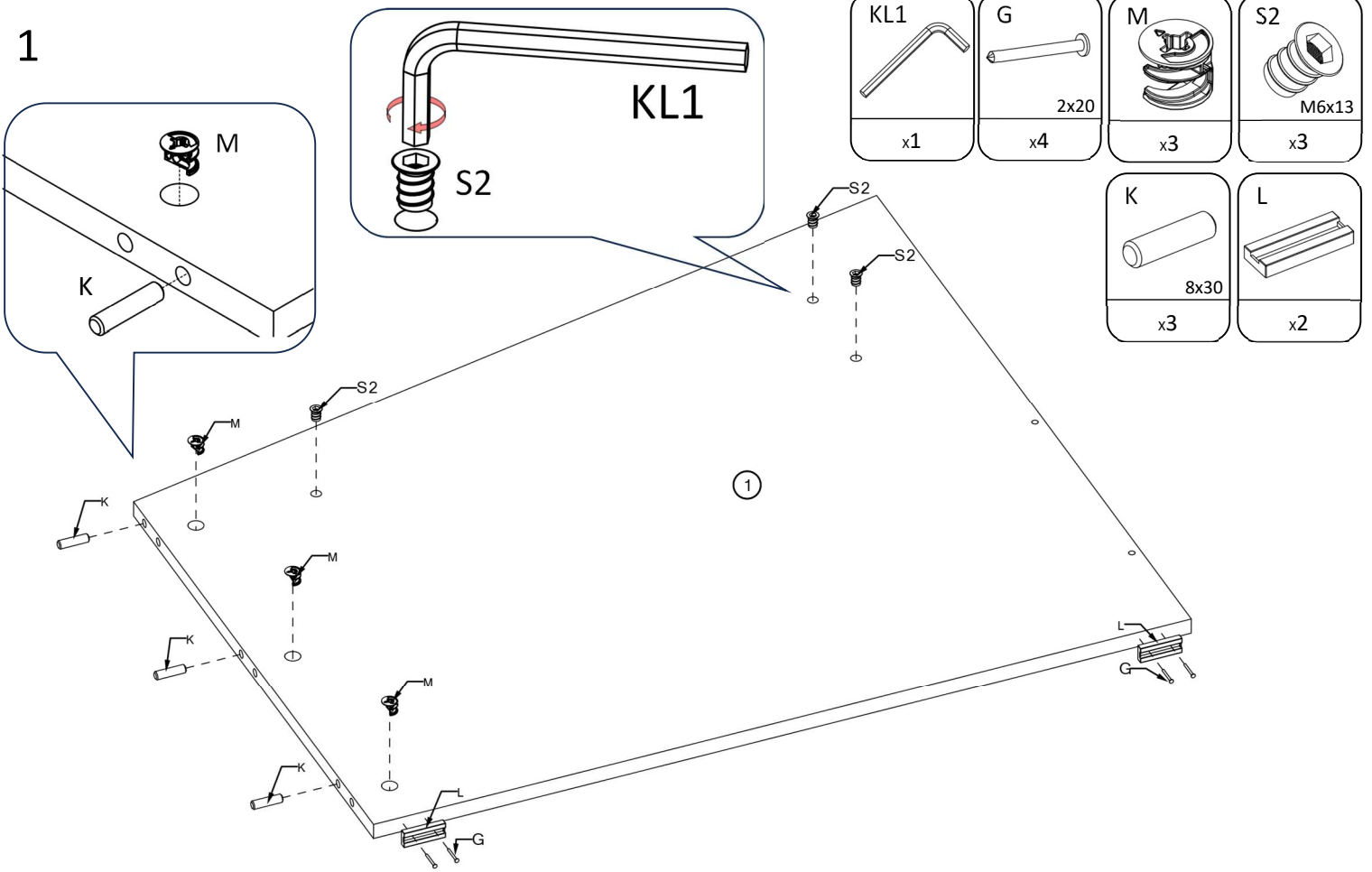




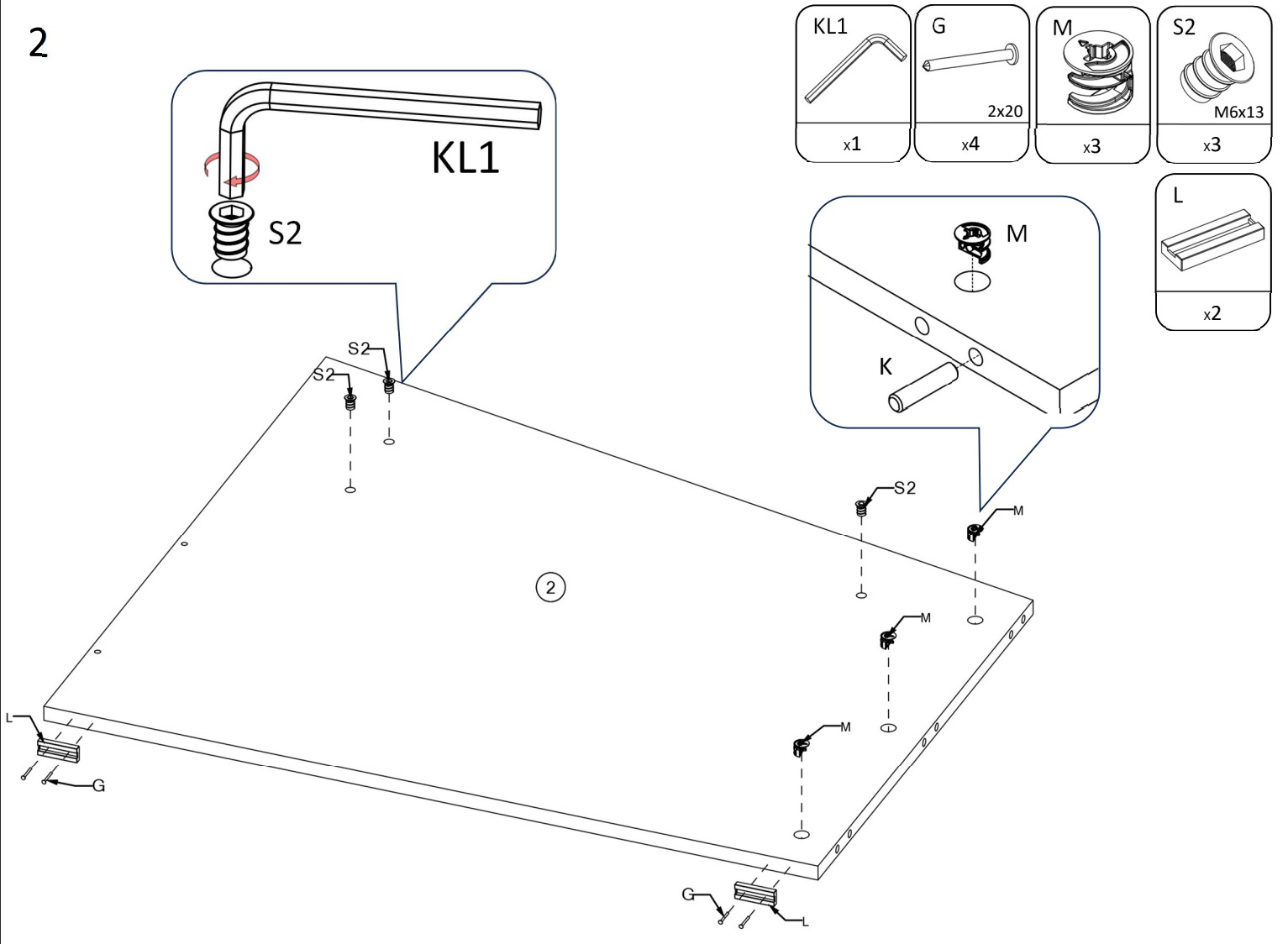
| No | T(mm) | L(mm) | W(mm) | Stc. |
|----|-------|-------|-------|------|
| 1 | 16 | 814 | 728 | 1 |
| 2 | 16 | 814 | 728 | 1 |
| 3 | 16 | 1448 | 445 | 1 |
| 4 | 16 | 2010 | 260 | 1 |
| 5 | 16 | 2010 | 260 | 1 |
| 6 | 16 | 916 | 200 | 2 |
| 7 | 16 | 1414 | 276 | 2 |
| 8 | 16 | 1448 | 261 | 1 |
| 9 | 22 | 2010 | 120 | 3 |



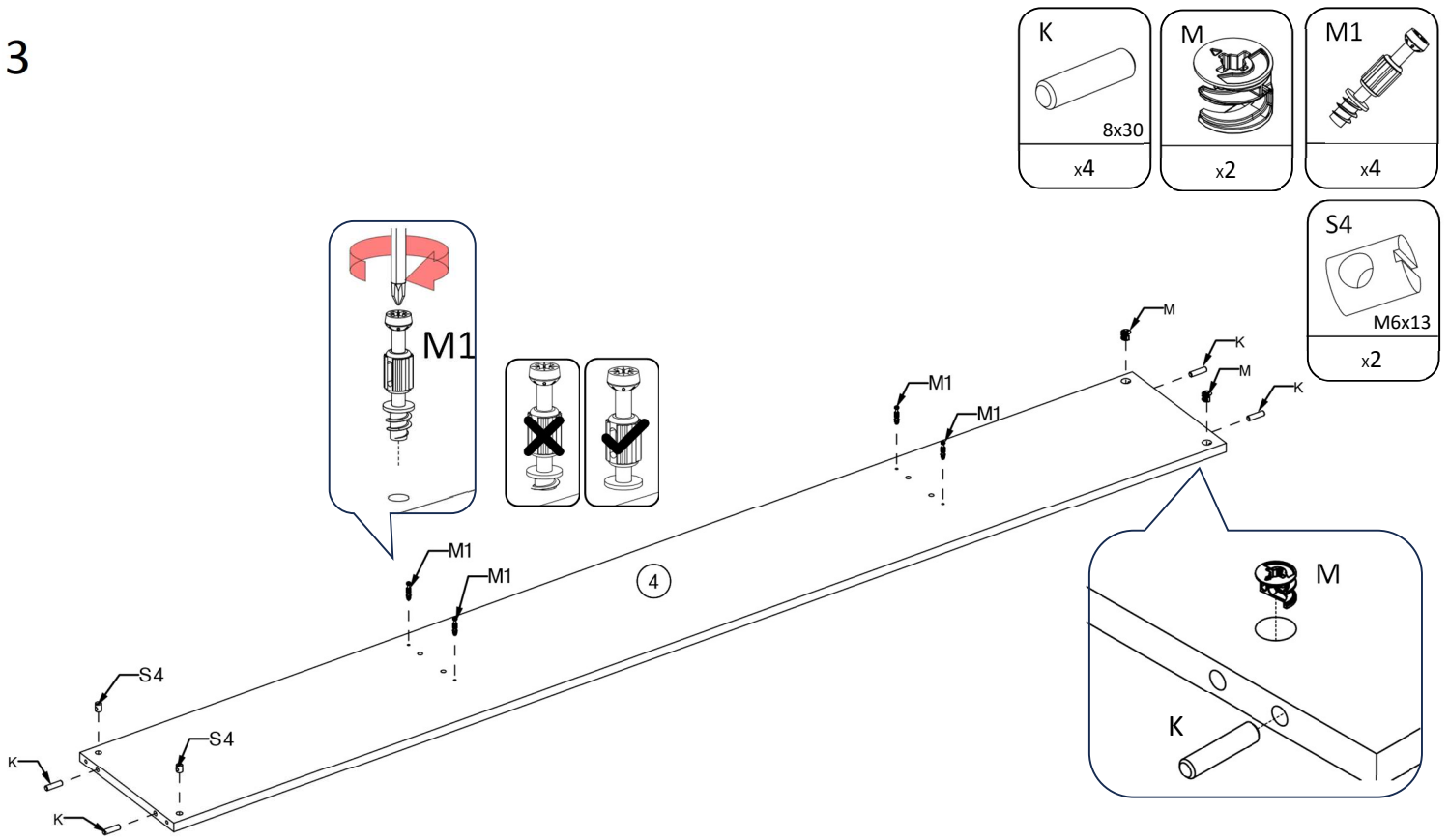
1



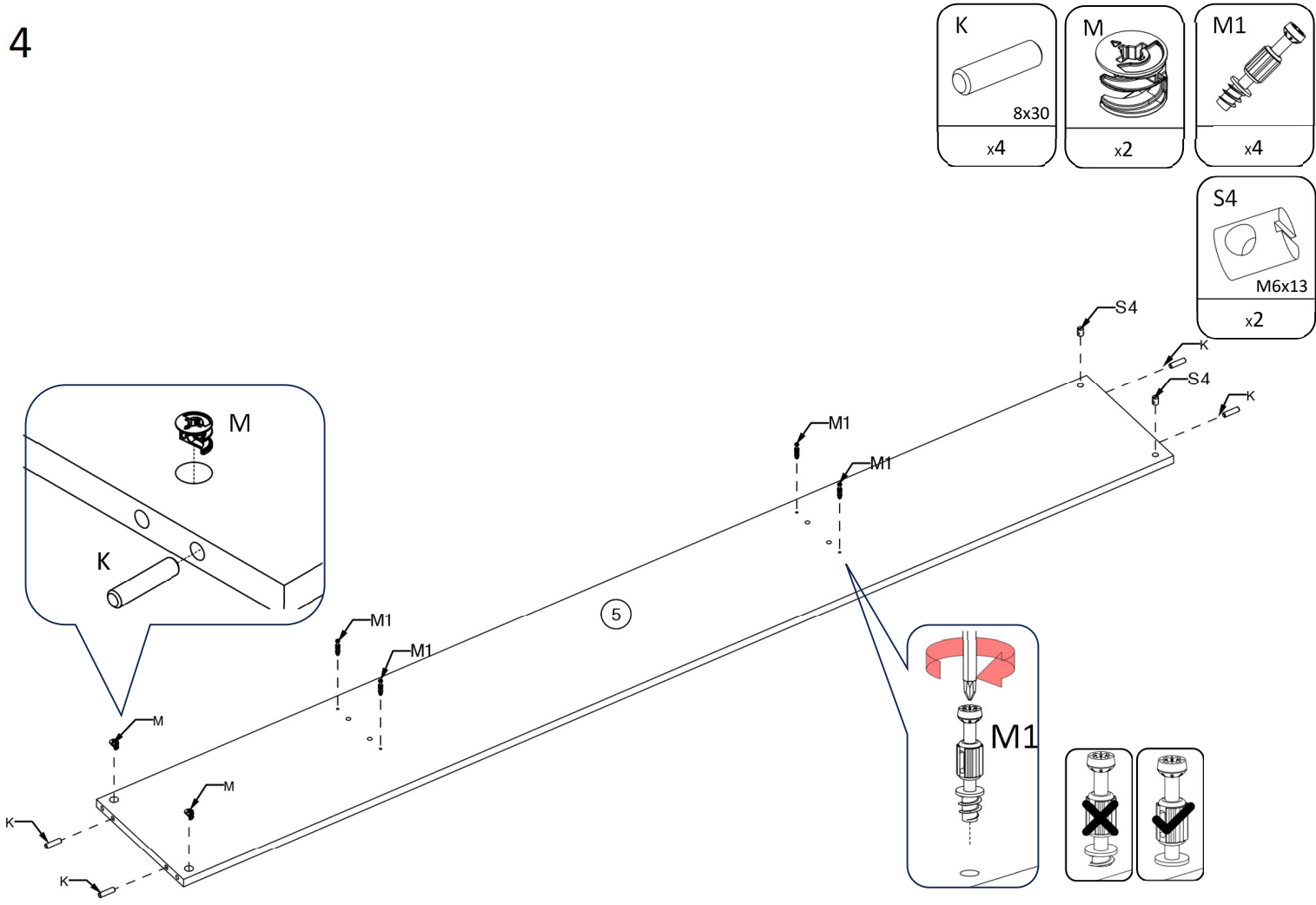
2



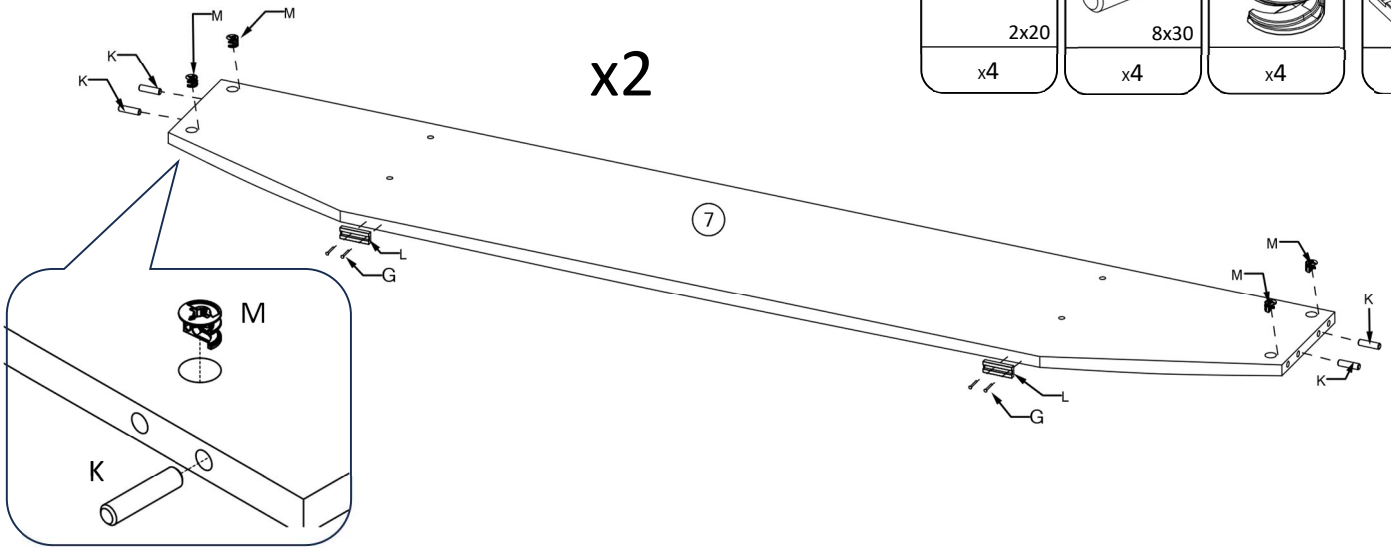
3



4



5



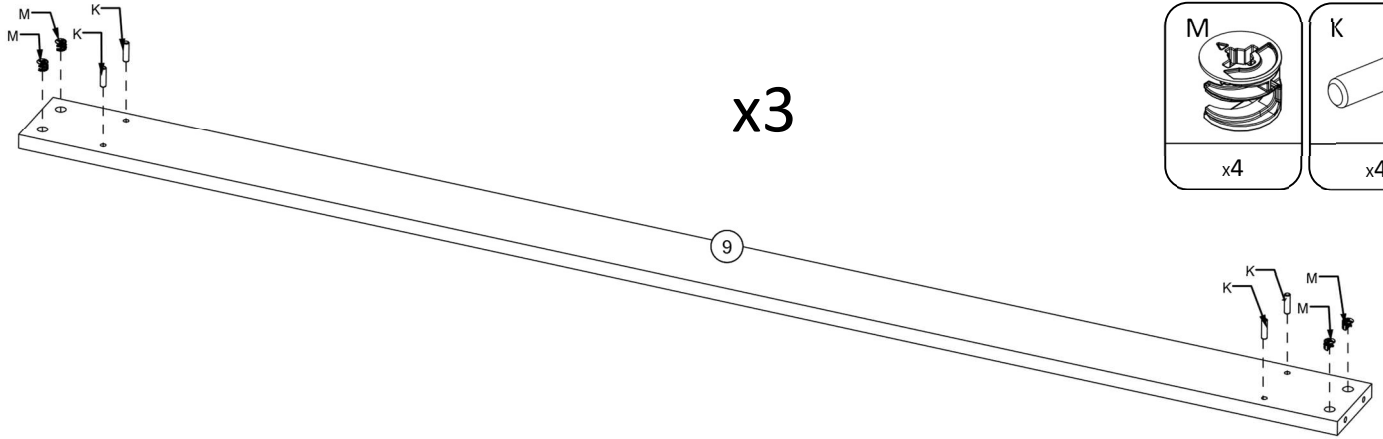
| |
|------|
| G |
| 2x20 |
| x4 |

| |
|------|
| K |
| 8x30 |
| x4 |

| |
|----|
| M |
| x4 |

| |
|----|
| L |
| x2 |

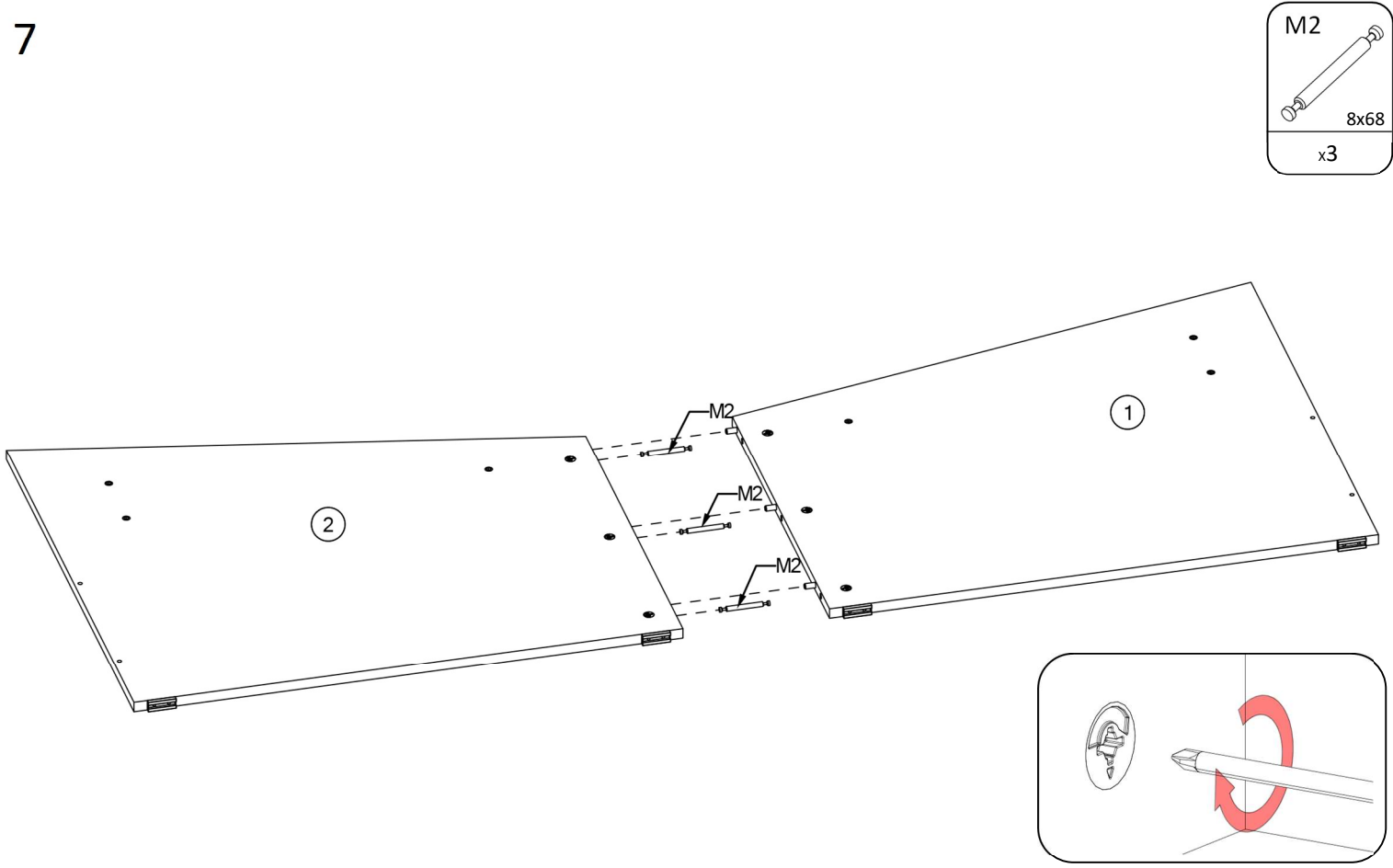
6



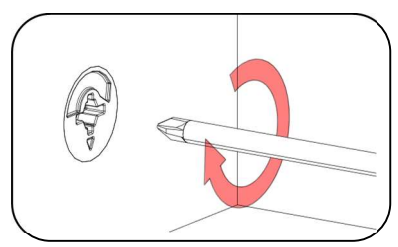
| |
|----|
| M |
| x4 |

| |
|------|
| K |
| 8x30 |
| x4 |

7



| |
|------|
| M2 |
| 8x68 |
| x3 |



8

S1

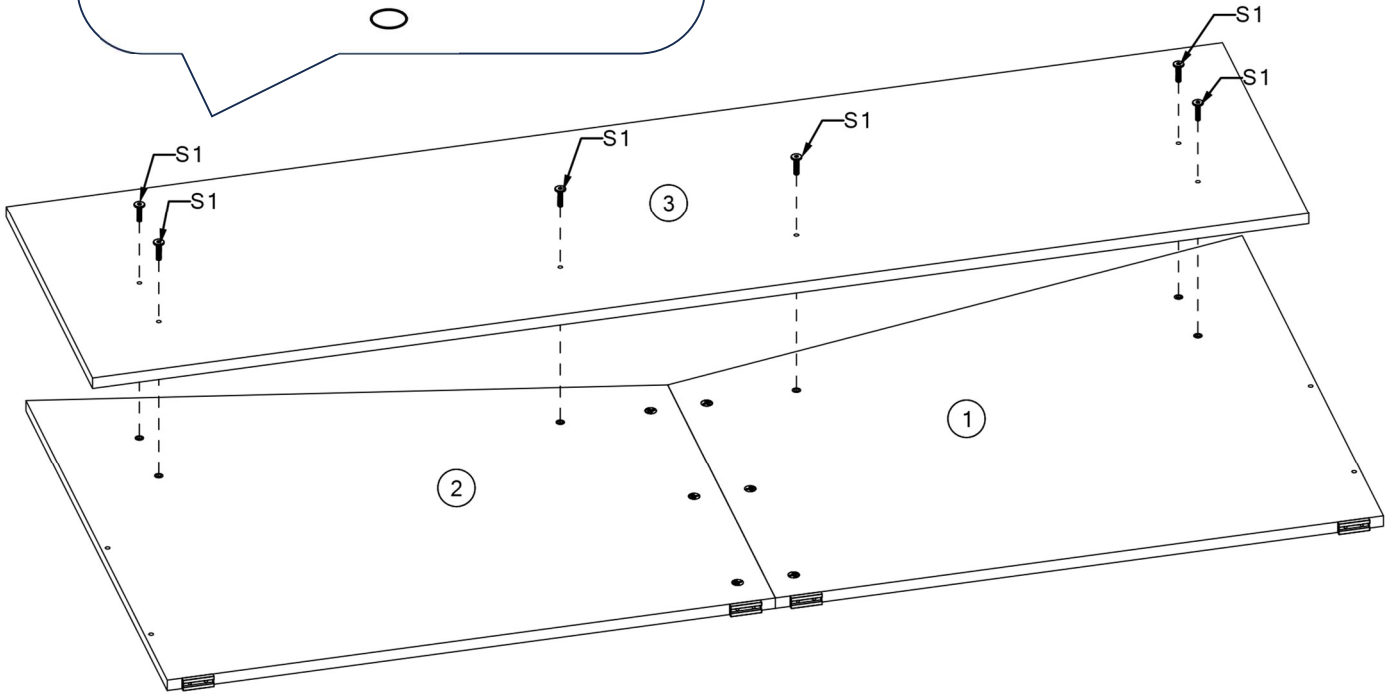


M6x25

x6

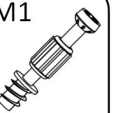
KL

S1



9

M1

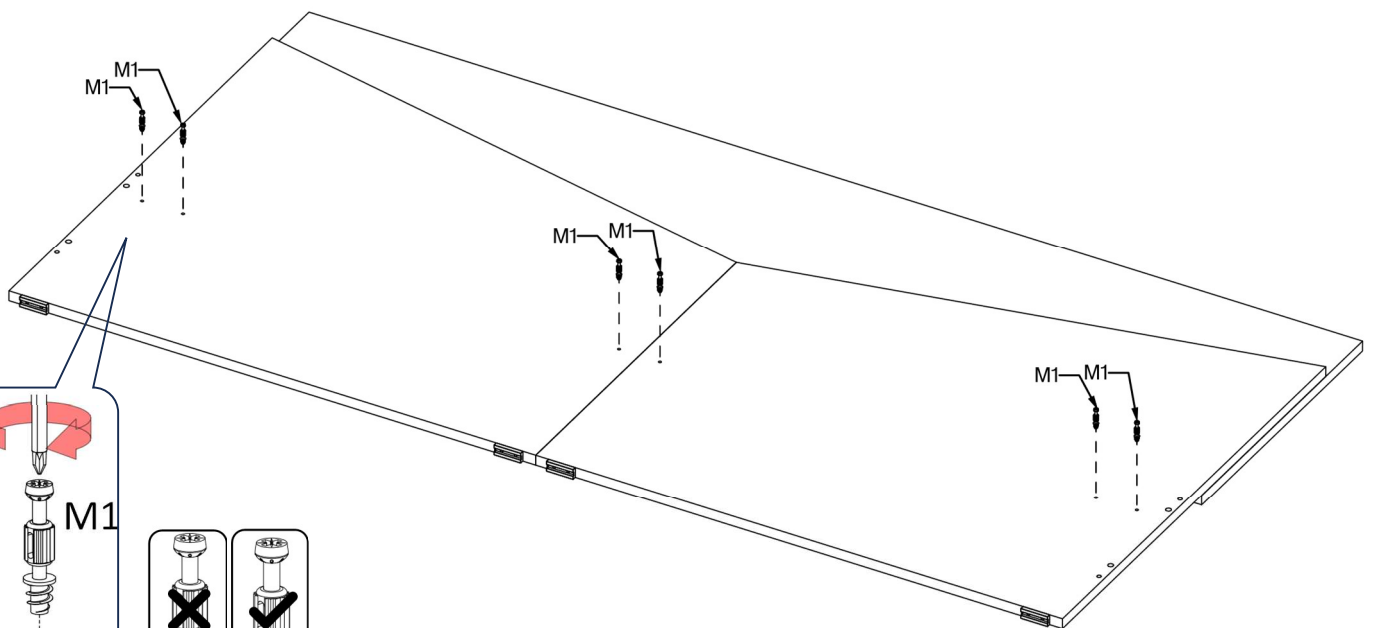
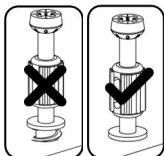


x4

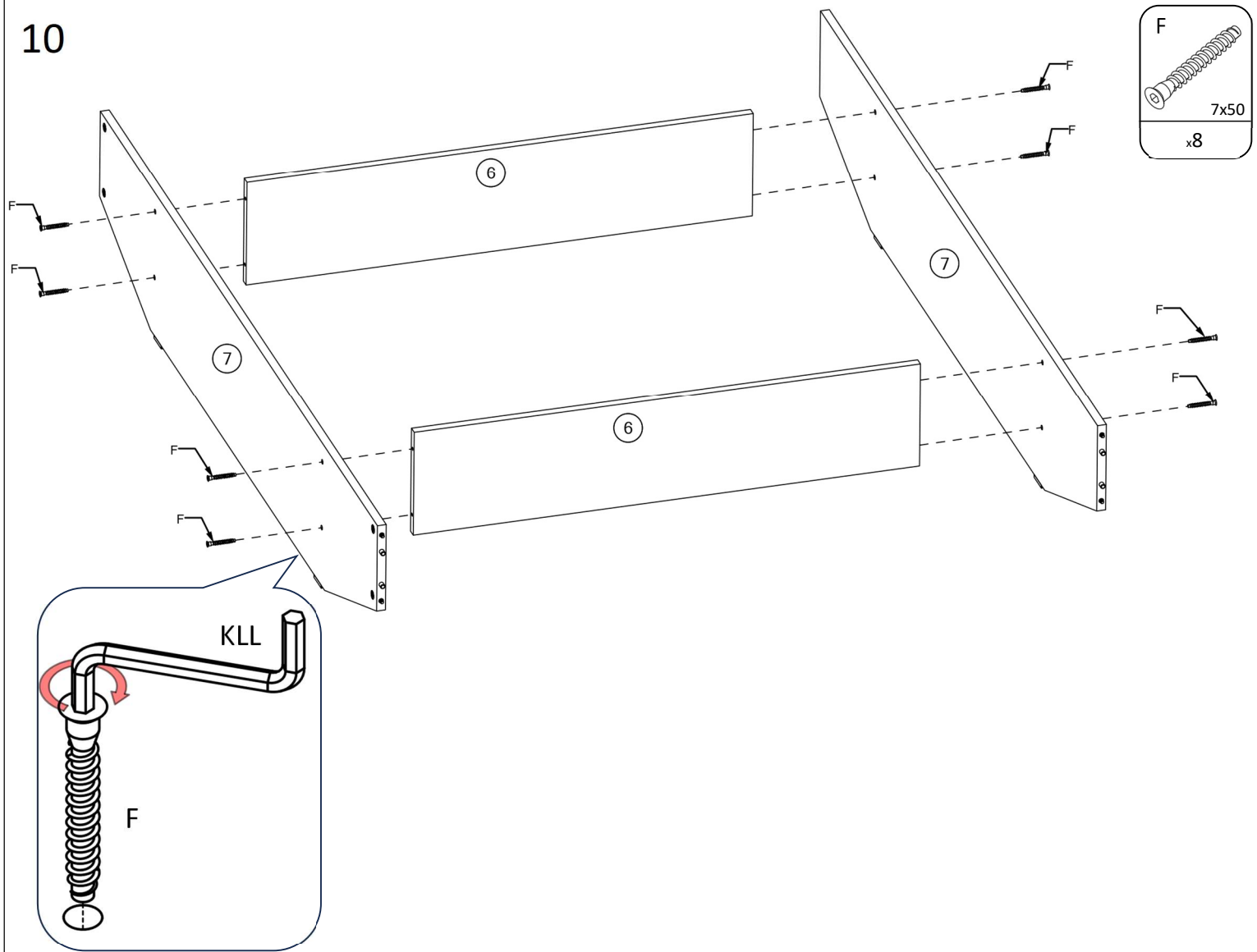
M1

M1

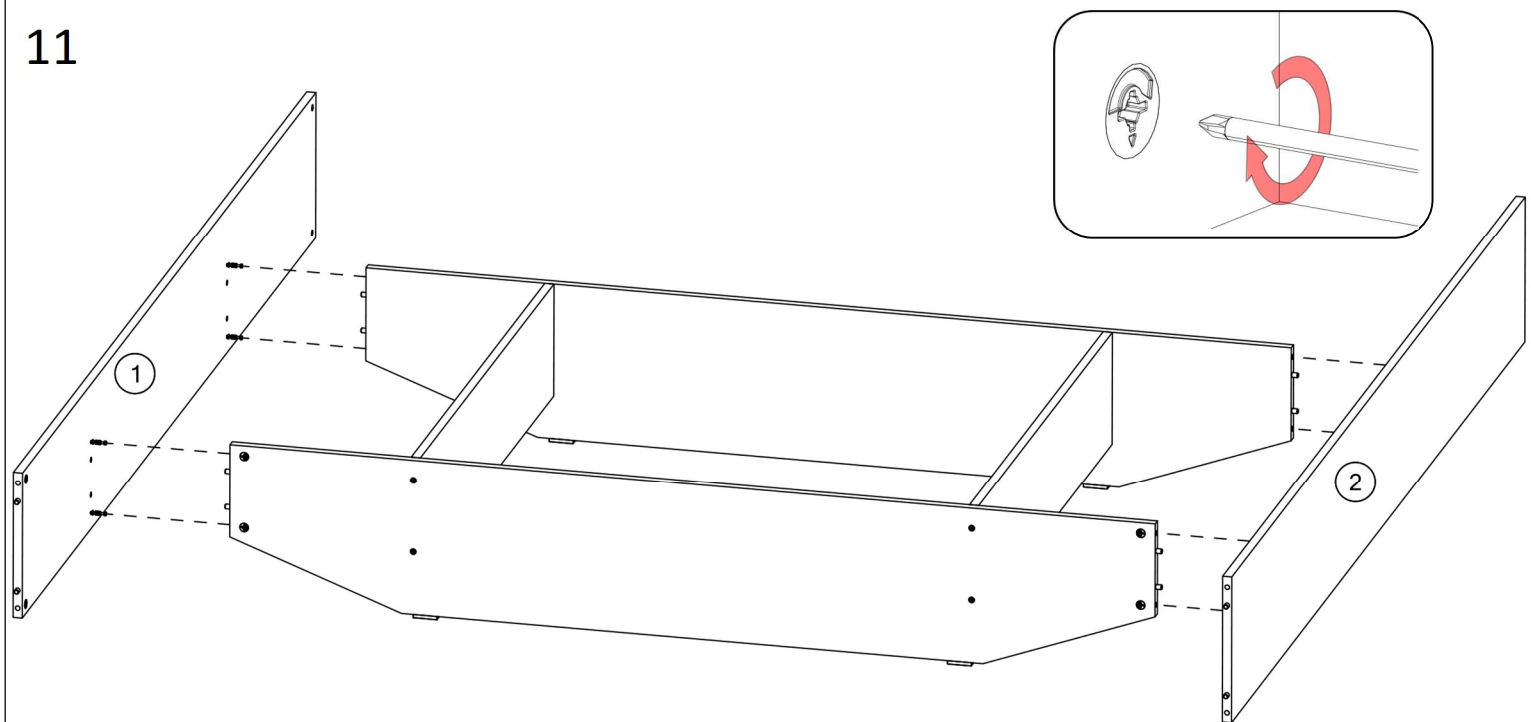
M1



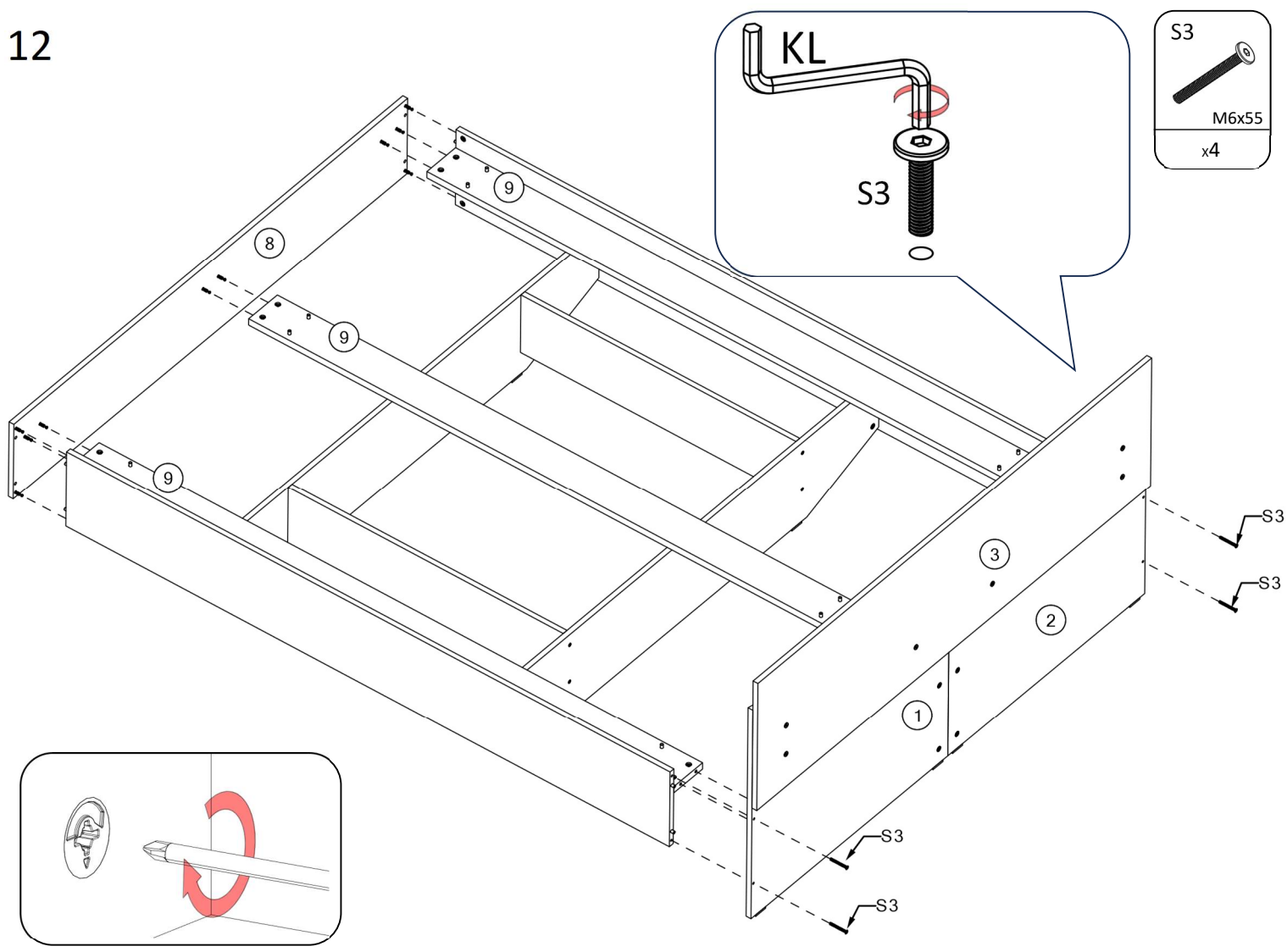
10



11



12



13

