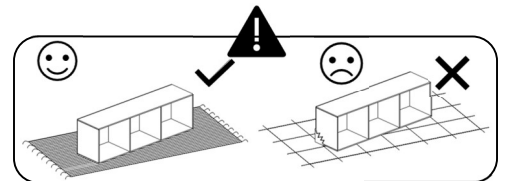
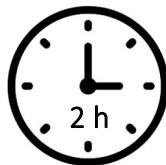
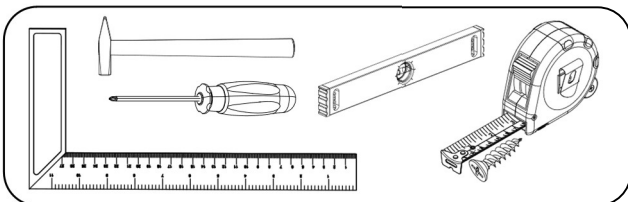
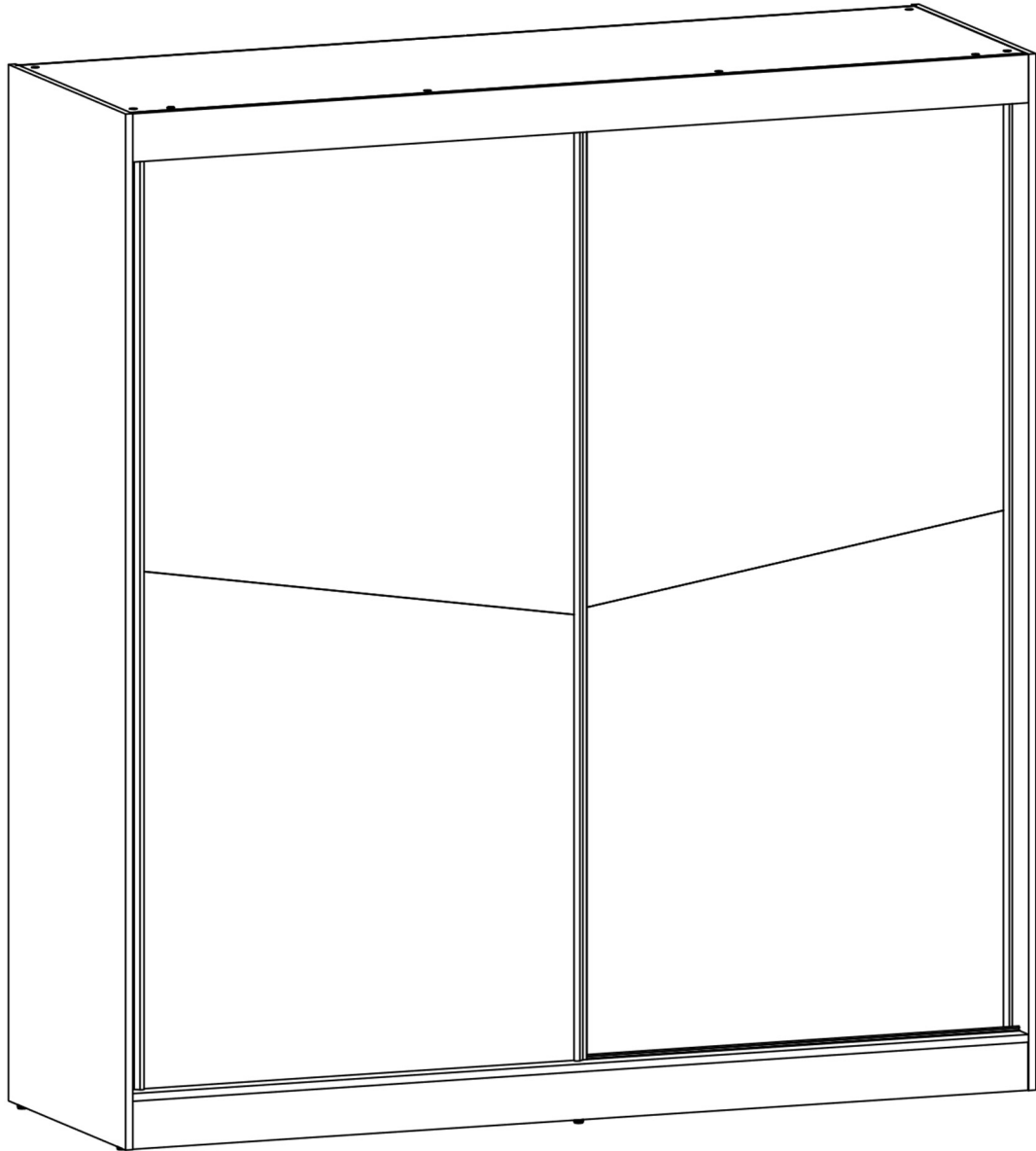
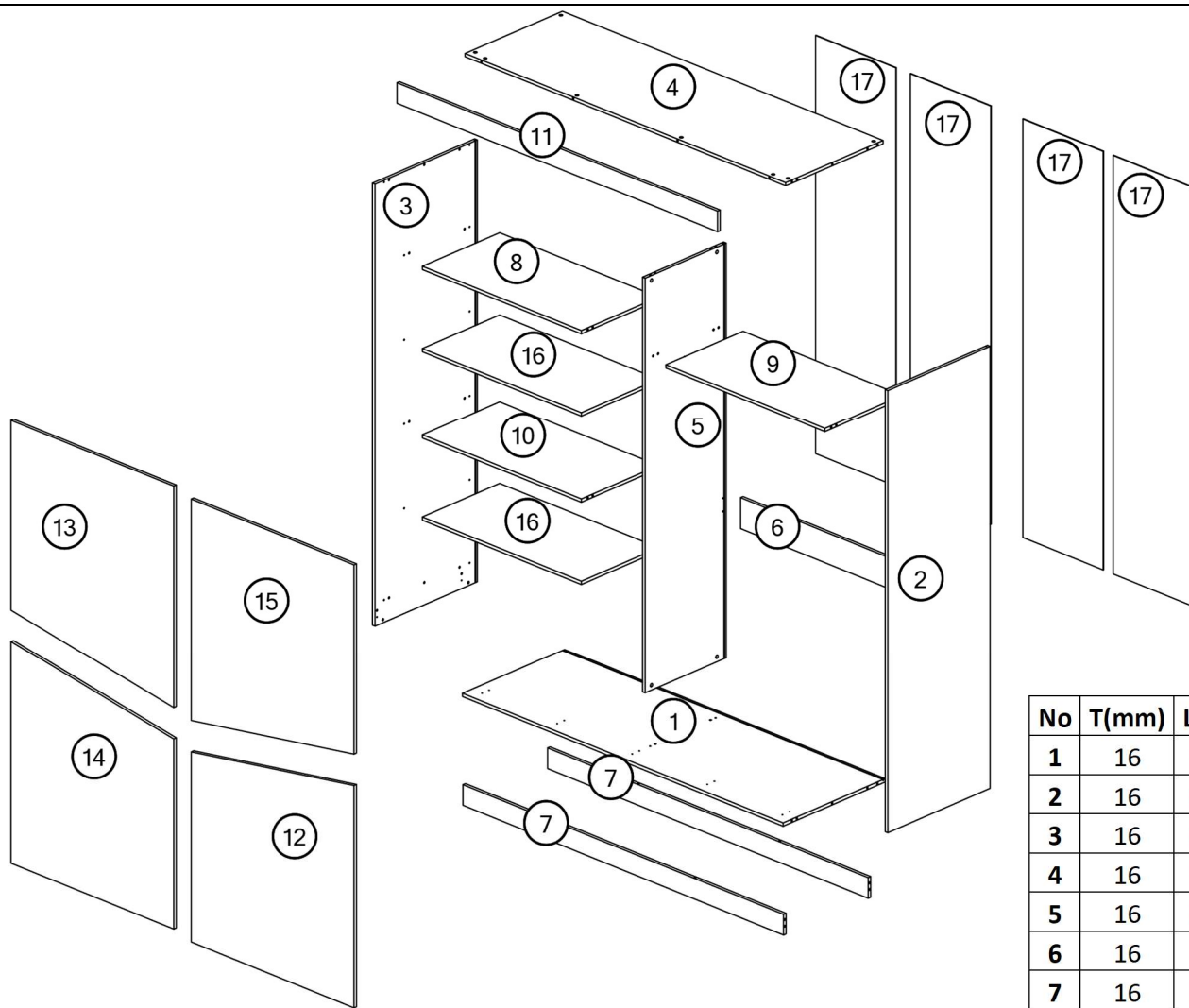
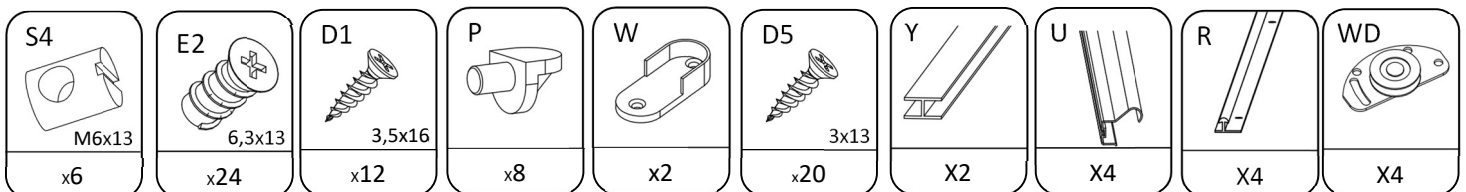
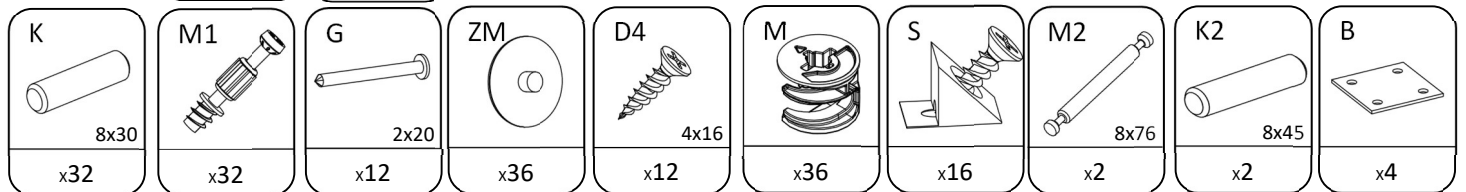
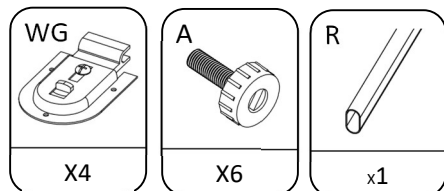
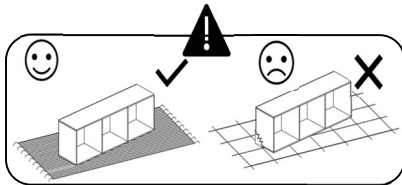


# ASTON 1

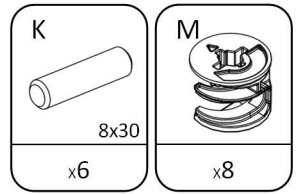
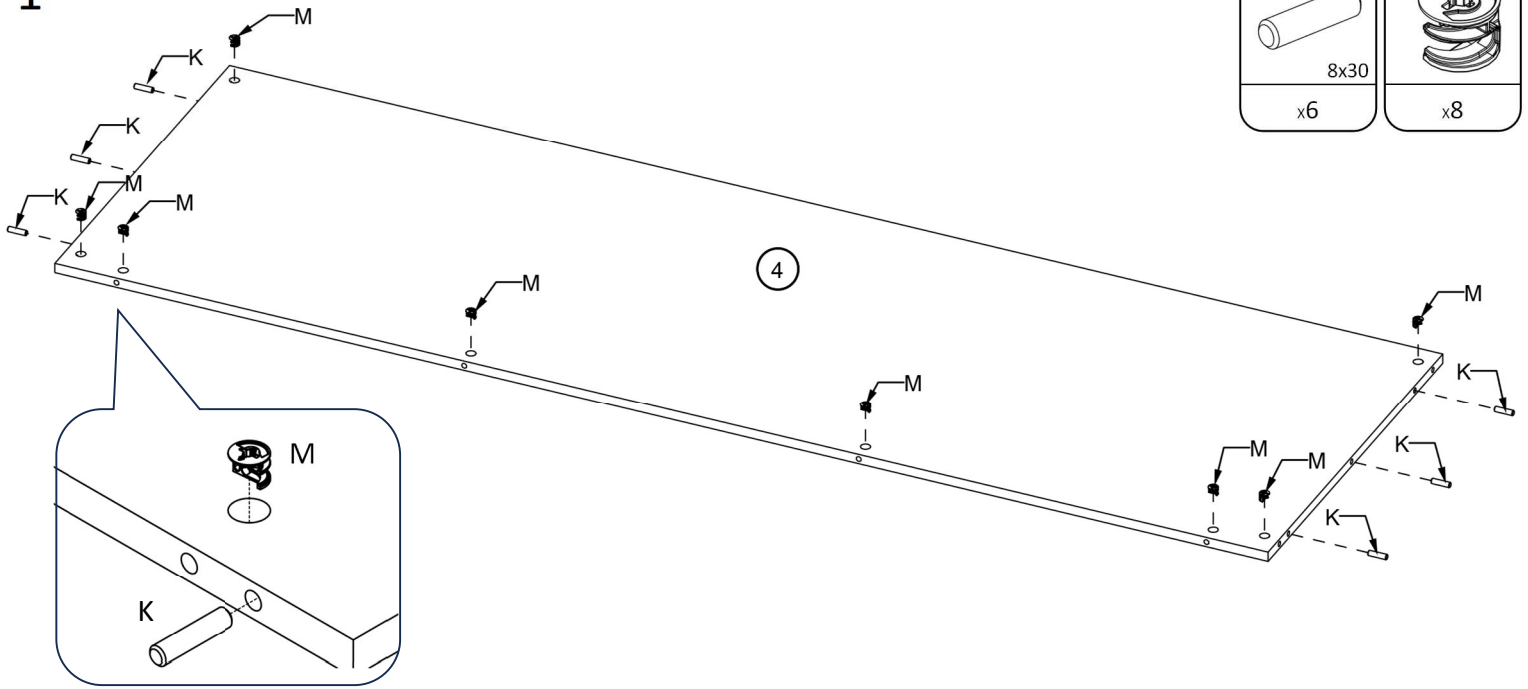




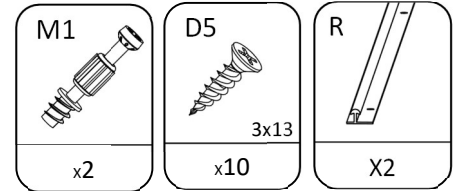
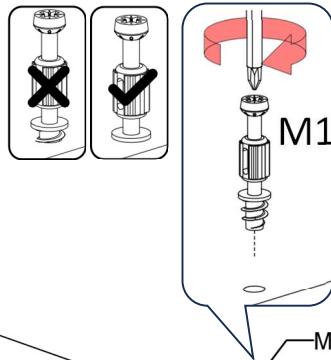
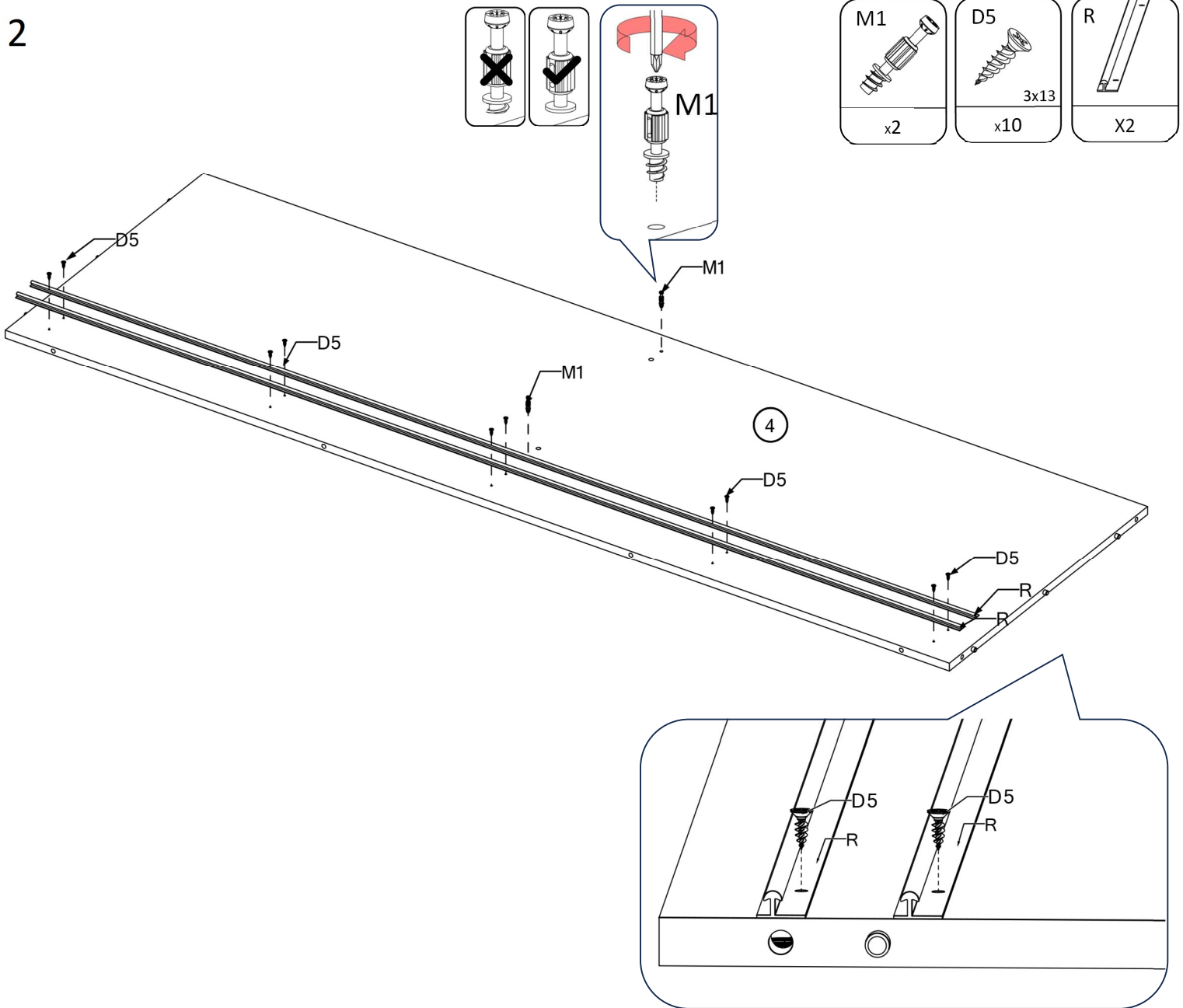
| No | T(mm) | L(mm) | W(mm) | Stc |
|----|-------|-------|-------|-----|
| 1  | 16    | 1968  | 649   | 1   |
| 2  | 16    | 2150  | 650   | 1   |
| 3  | 16    | 2150  | 650   | 1   |
| 4  | 16    | 1968  | 619   | 1   |
| 5  | 16    | 2017  | 515   | 1   |
| 6  | 16    | 976   | 150   | 1   |
| 7  | 16    | 1968  | 100   | 2   |
| 8  | 16    | 976   | 491   | 1   |
| 9  | 16    | 976   | 491   | 1   |
| 10 | 16    | 976   | 491   | 1   |
| 11 | 16    | 1968  | 100   | 1   |
| 12 | 16    | 1077  | 999   | 1   |
| 13 | 16    | 1077  | 999   | 1   |
| 14 | 16    | 1077  | 999   | 1   |
| 15 | 16    | 1077  | 999   | 1   |
| 16 | 16    | 973   | 491   | 2   |
| 17 | 3     | 2037  | 493   | 4   |



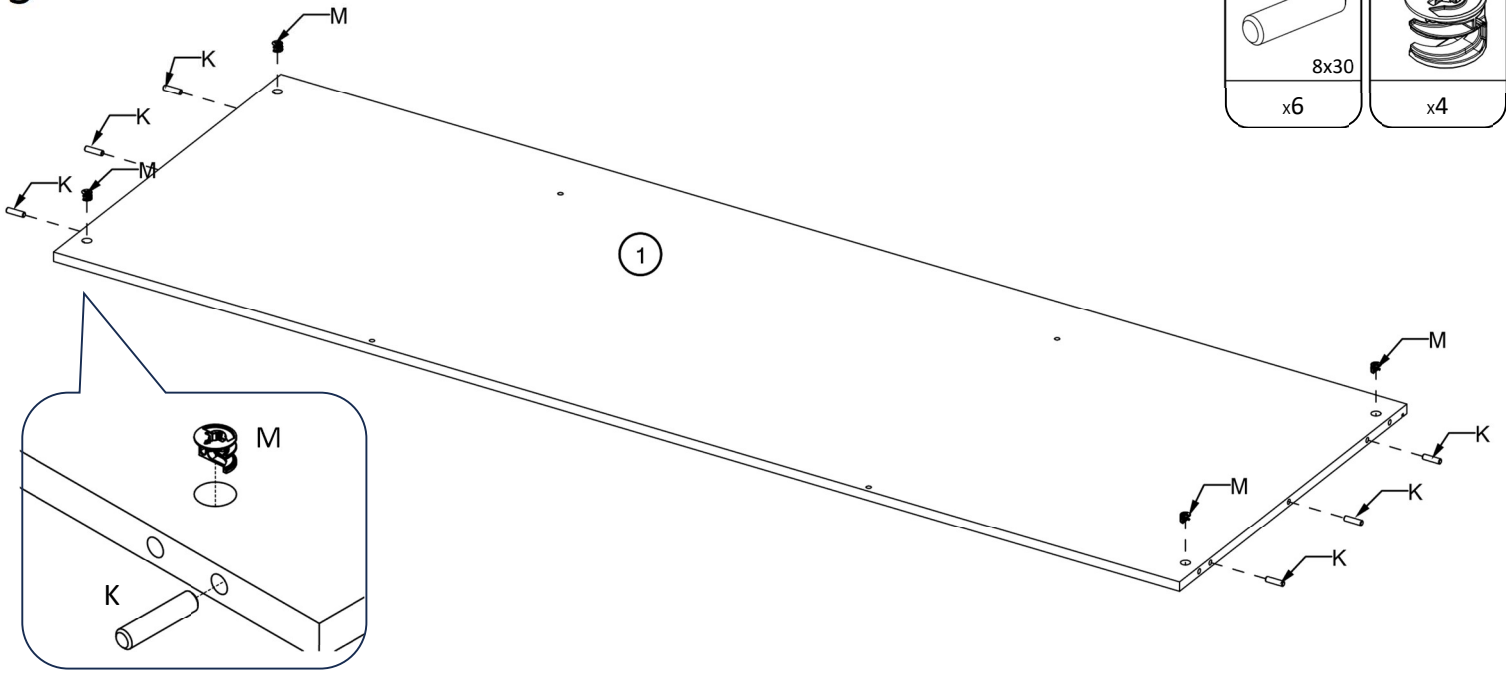
1

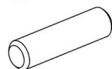



2

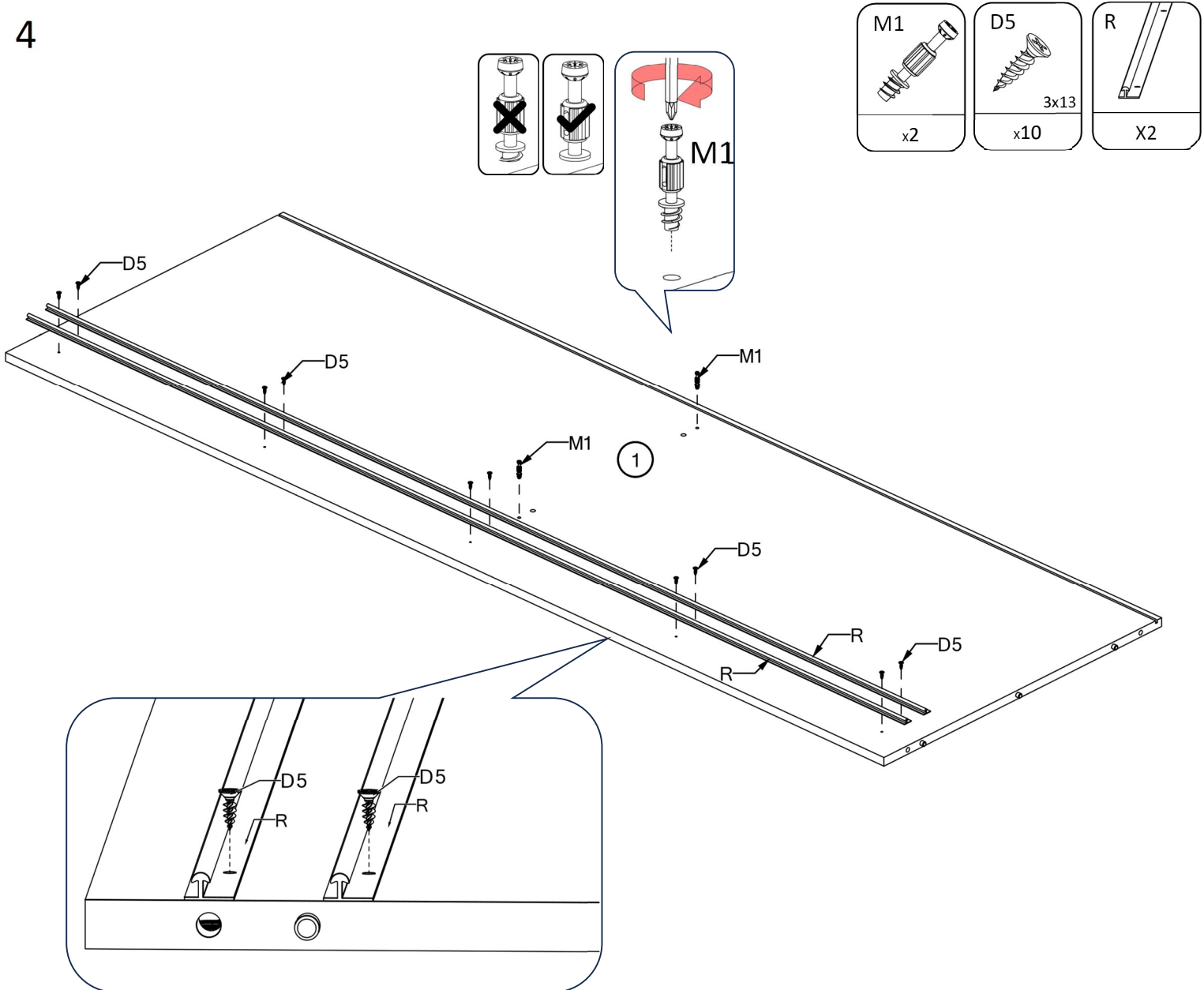




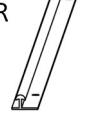
3



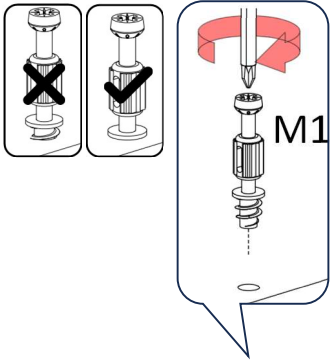
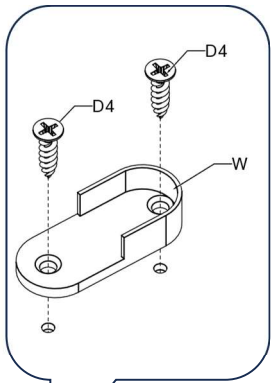
|   |   |
|---|---|
| K   | M   |
|  |  |
| 8x30  |   |
| x6  | x4  |


4

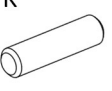



|   |   |   |
|---|---|---|
| M1  | D5  | R   |
|  |  |  |
|   | 3x13  |   |
| x2  | x10   | x2  |

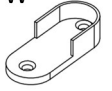
5




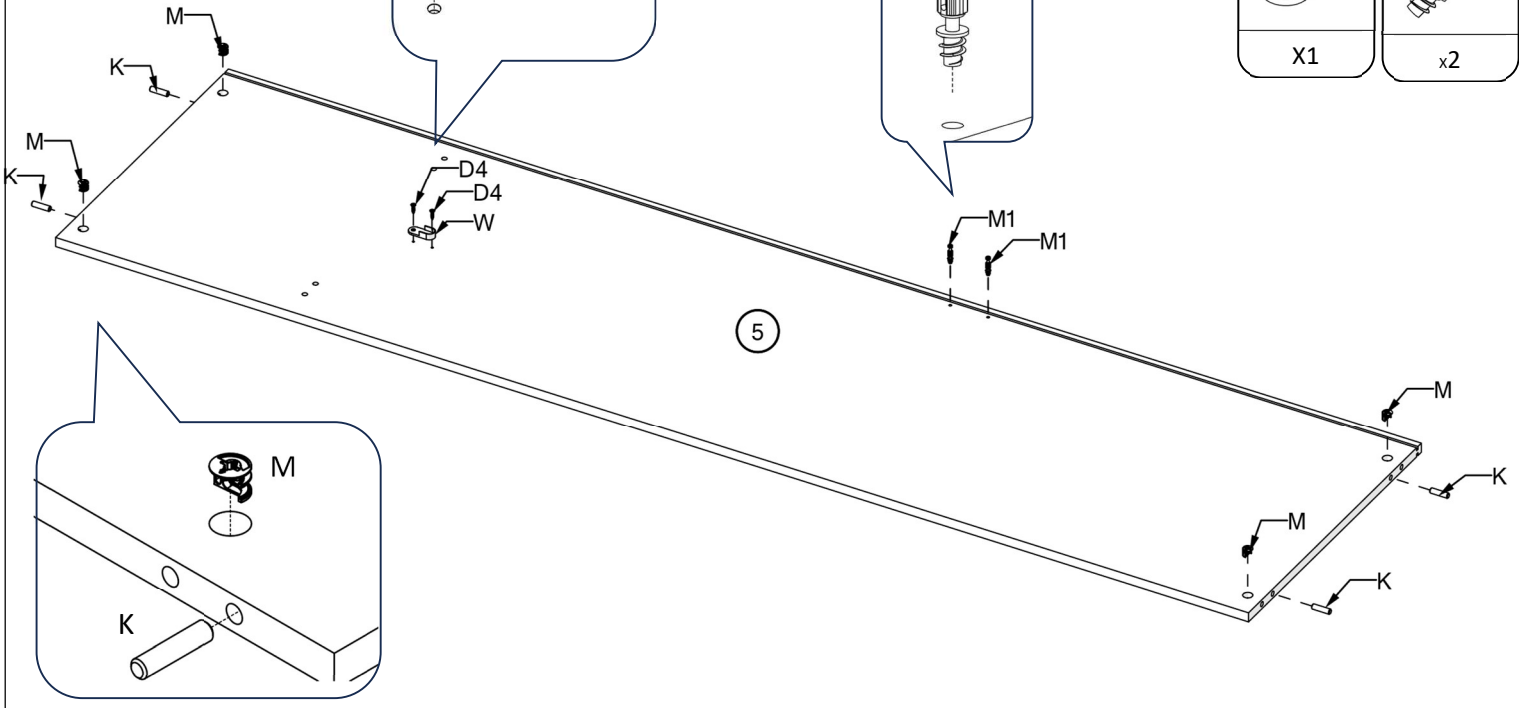
|   |
|---|
| D4  |
|  |
| 4x16  |
| x2  |

|   |
|---|
| K   |
|  |
| 8x30  |
| x4  |

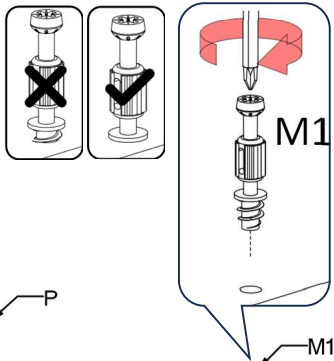
|   |
|---|
| M   |
|  |
| x4  |


|   |
|---|
| W   |
|  |
| x1  |

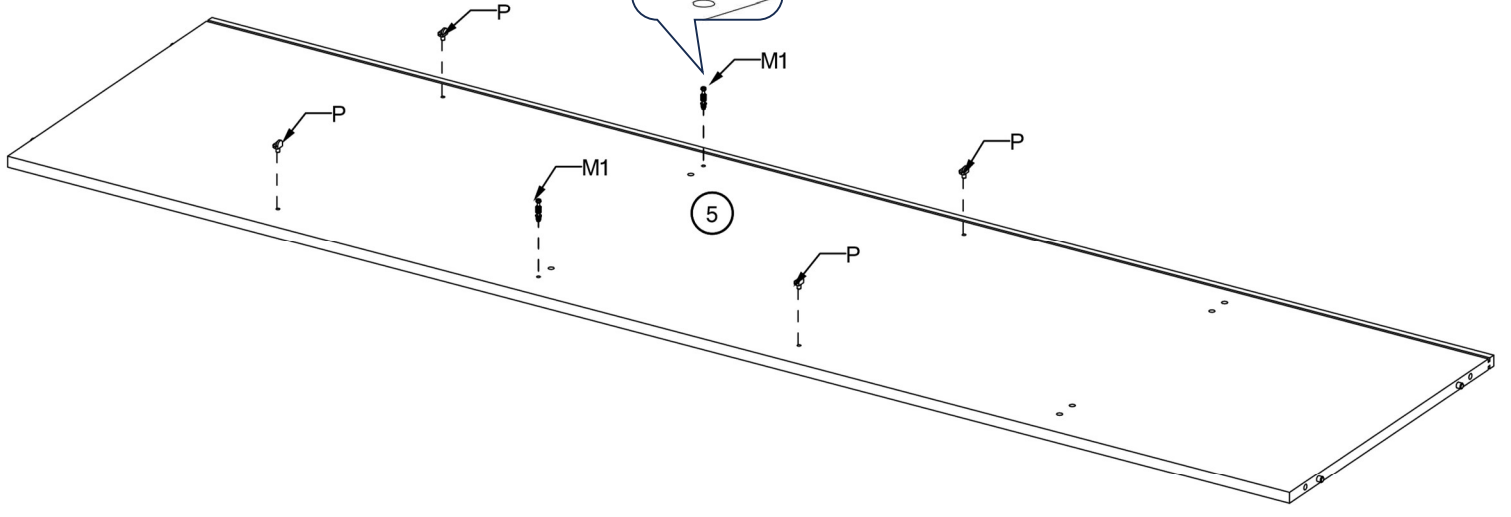
|   |
|---|
| M1  |
|  |
| x2  |



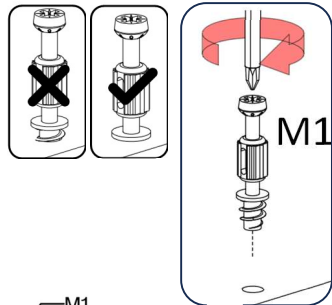
6



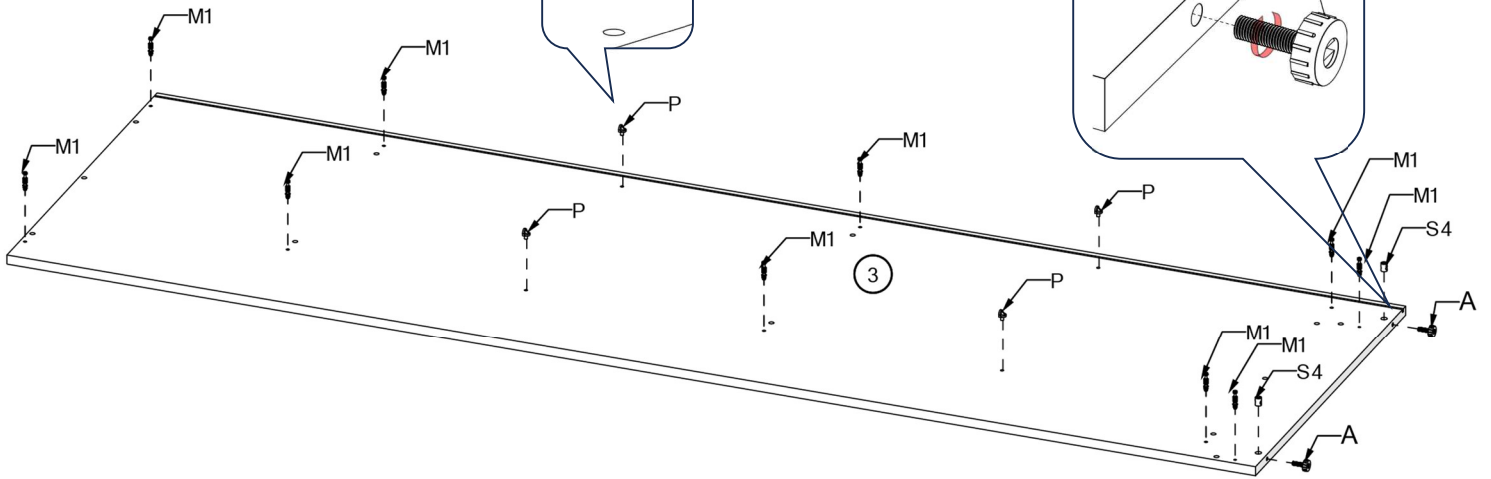
|   |
|---|
| M1  |
|  |
| x32   |



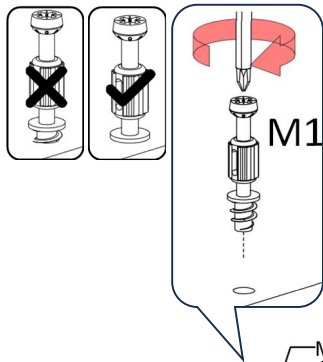
7



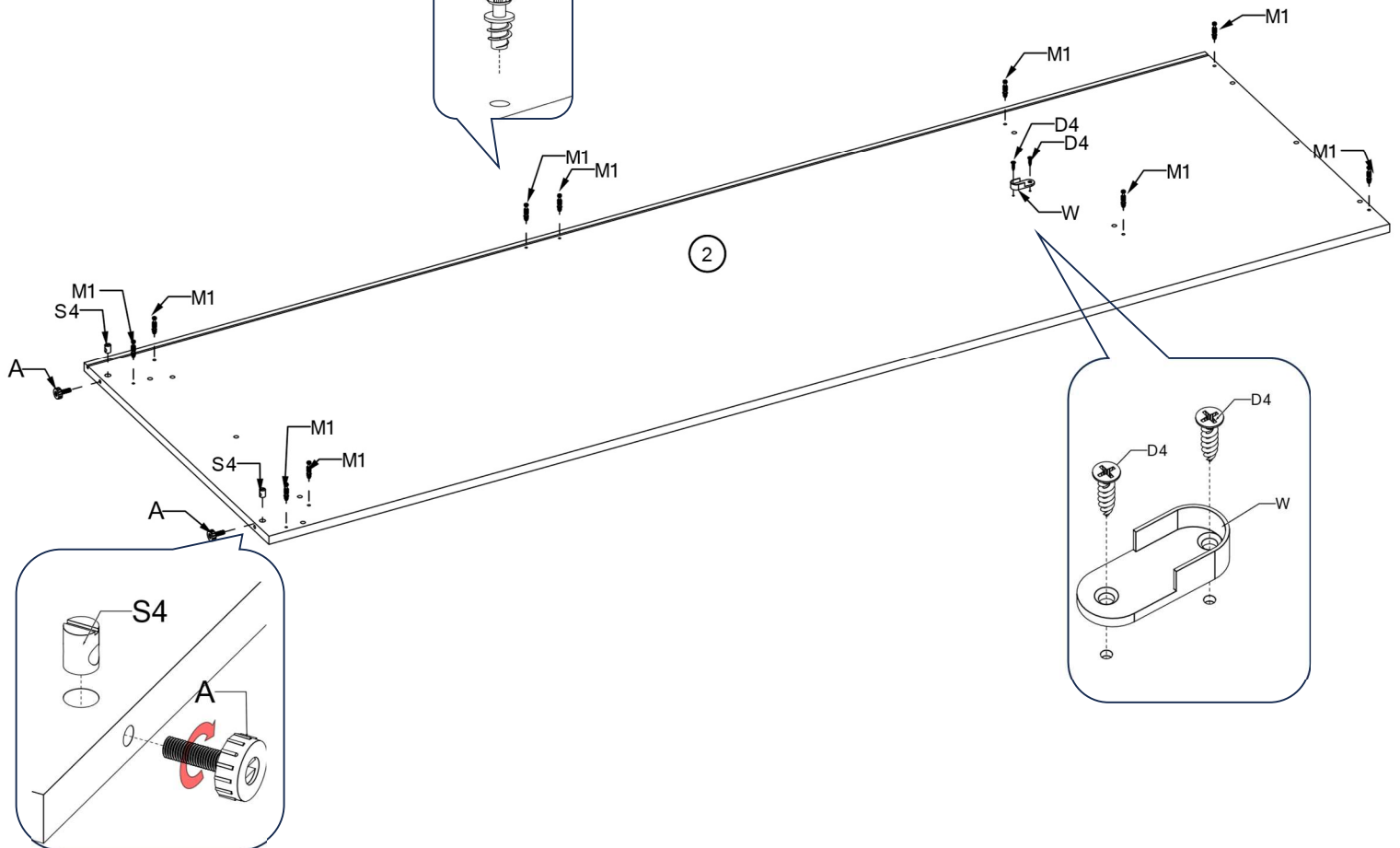
|              |               |              |               |
|--------------|---------------|--------------|---------------|
| <b>A</b><br> | <b>S4</b><br> | <b>P</b><br> | <b>M1</b><br> |
| X6           | M6x13<br>x6   | x4           | x10           |



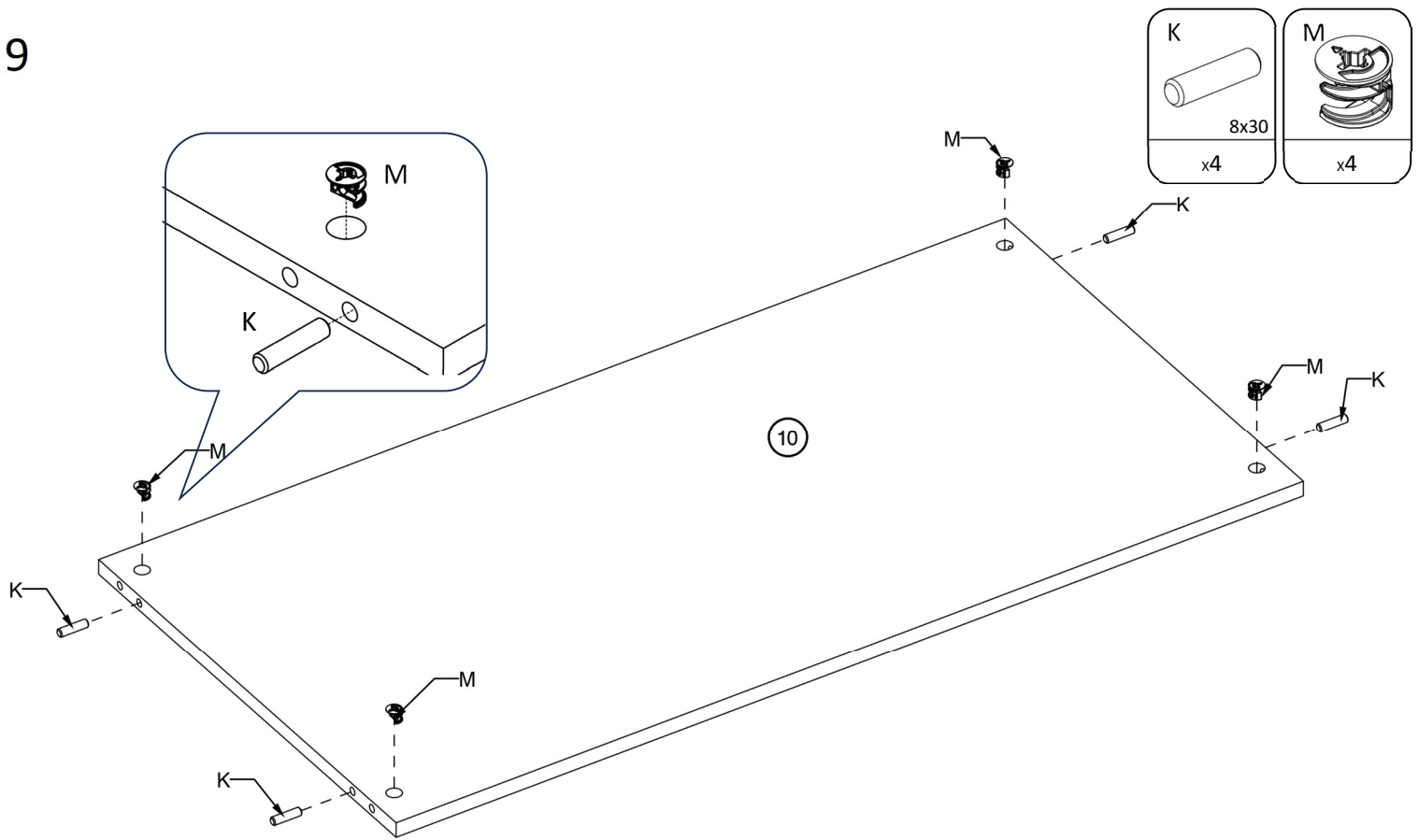
8



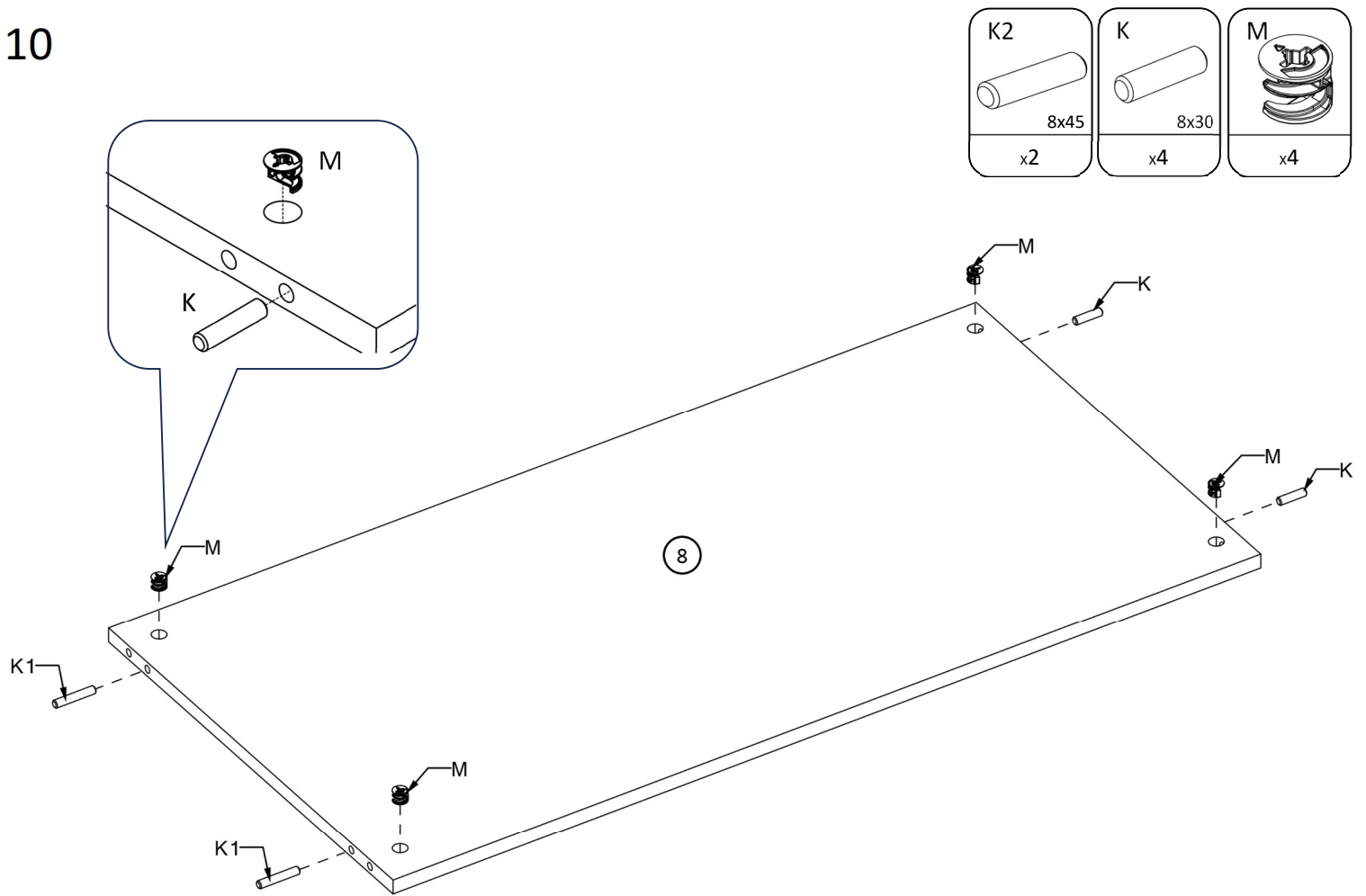
|               |              |               |              |               |
|---------------|--------------|---------------|--------------|---------------|
| <b>D4</b><br> | <b>A</b><br> | <b>S4</b><br> | <b>W</b><br> | <b>M1</b><br> |
| 4x16<br>x2    | X6           | M6x13<br>x6   | X1           | x10           |



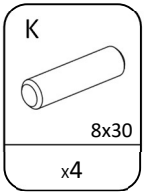
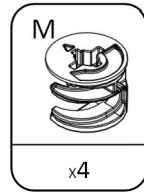
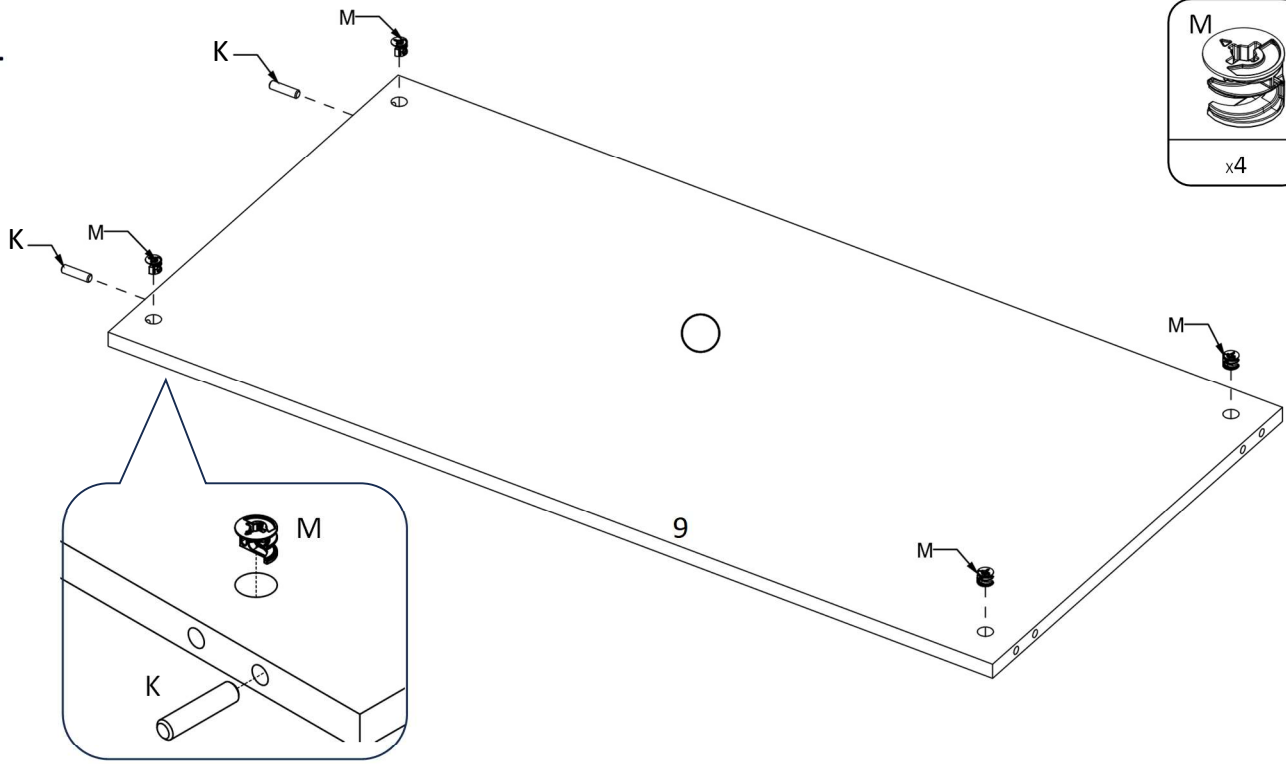
9



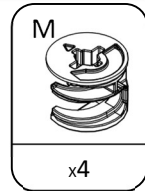
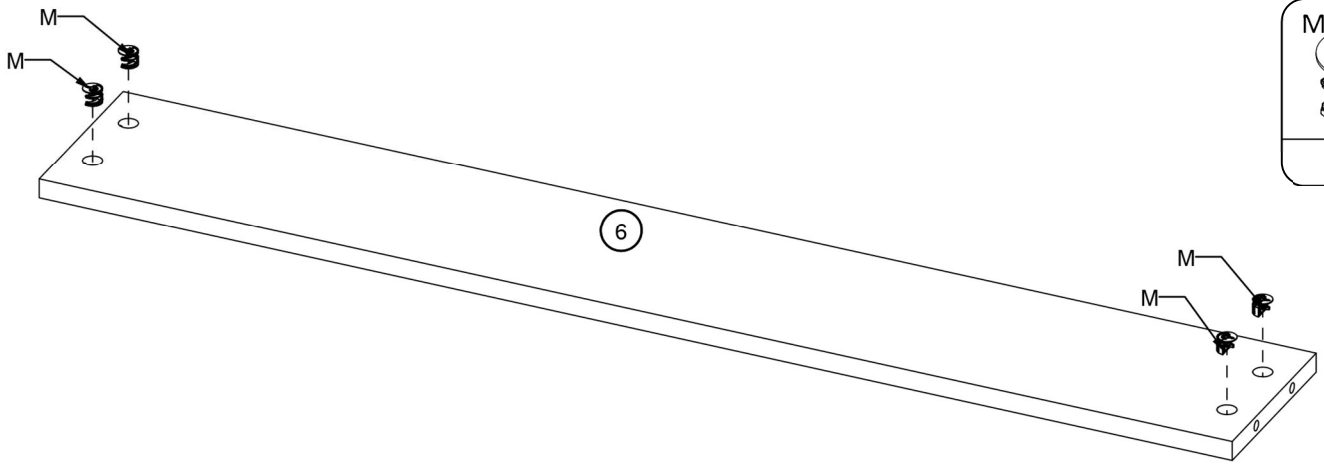
10



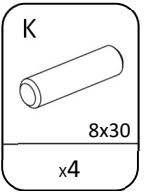
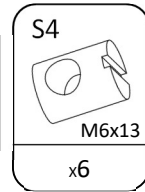
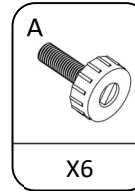
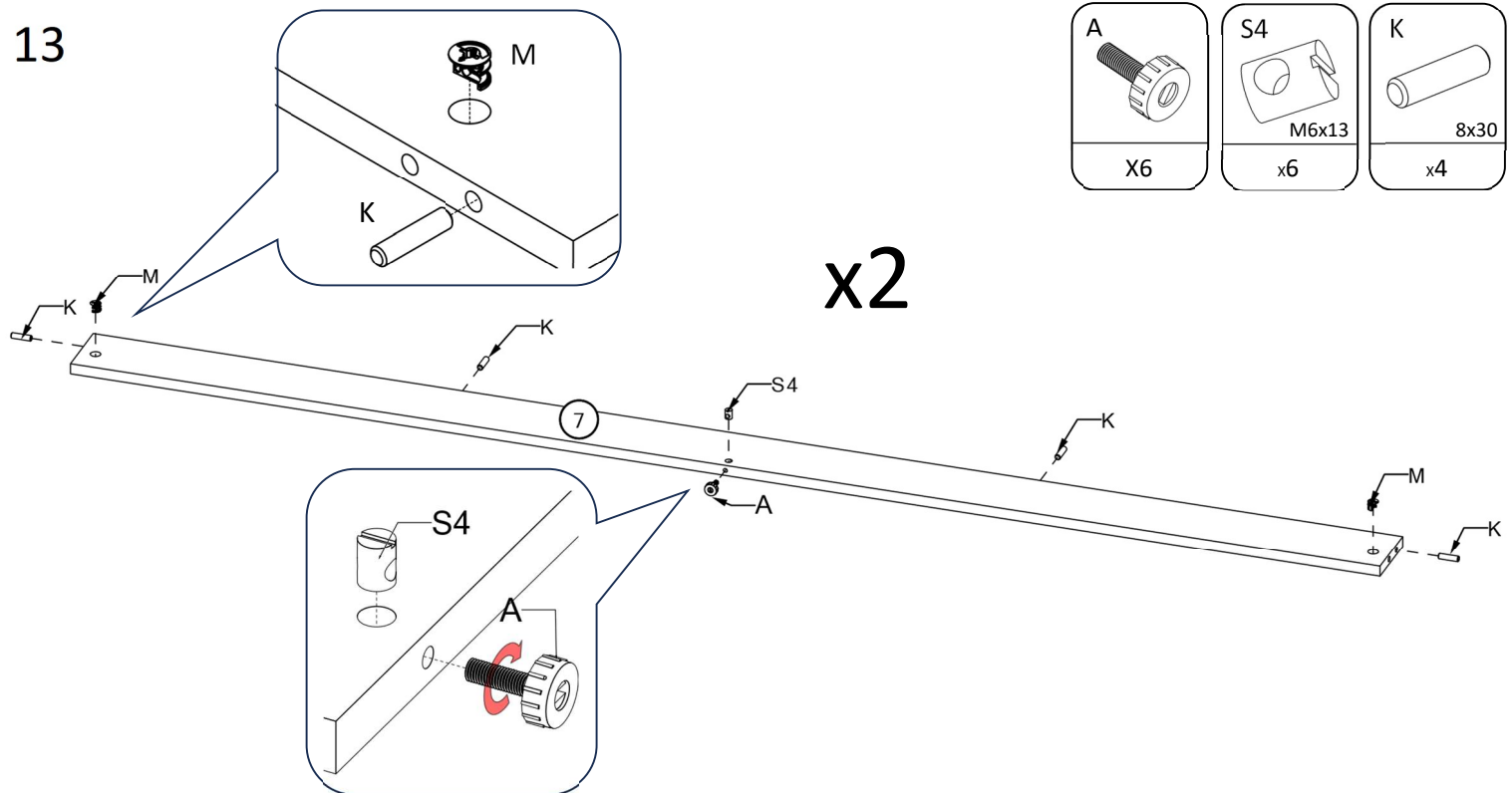
11



12

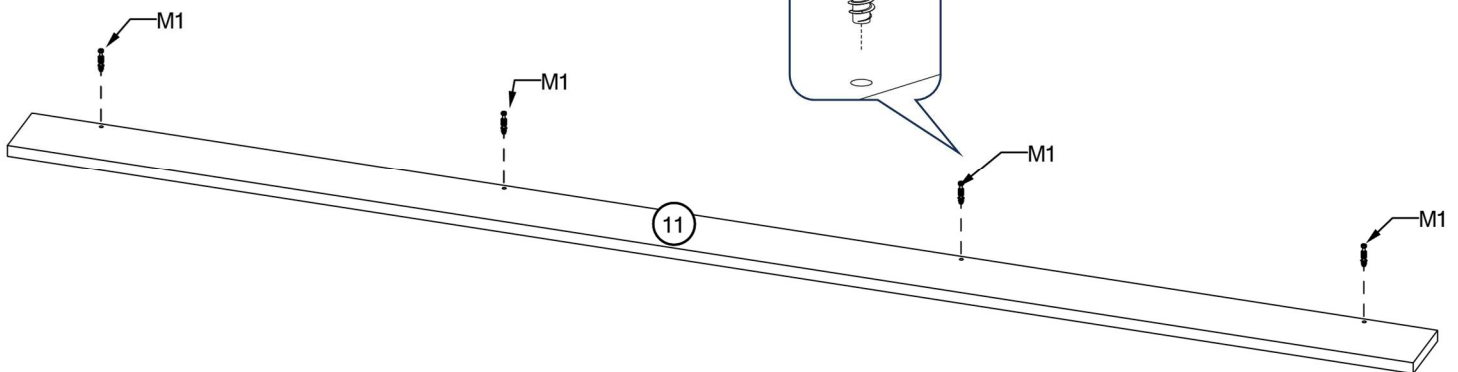
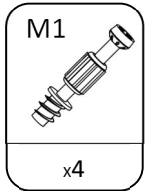
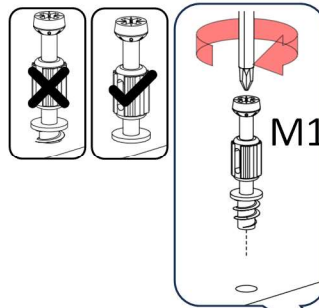


13

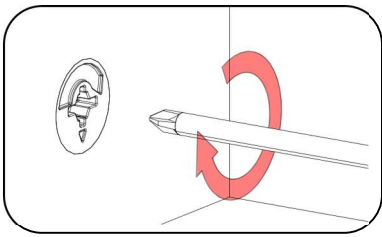
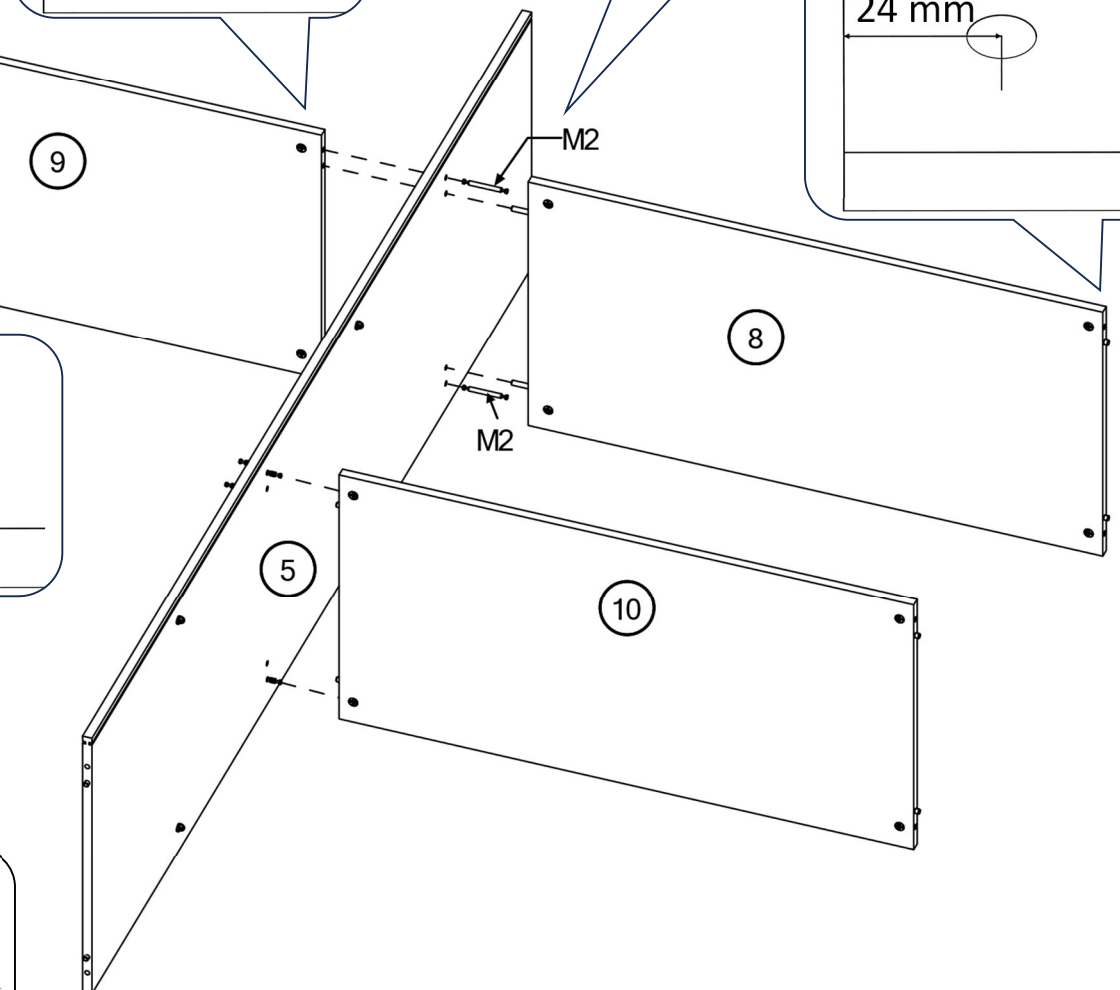
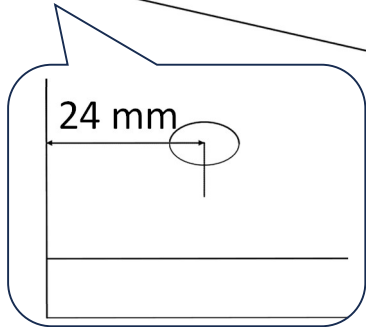
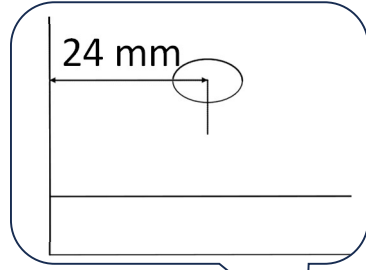
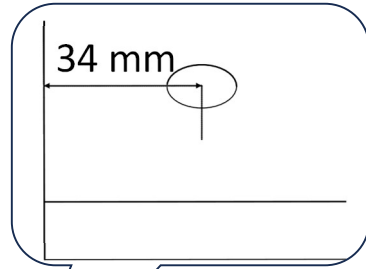
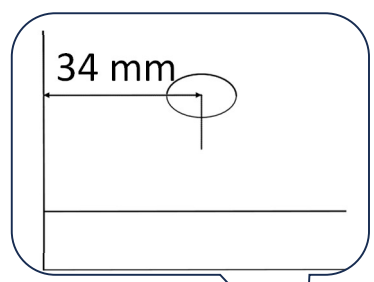
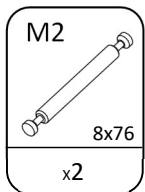




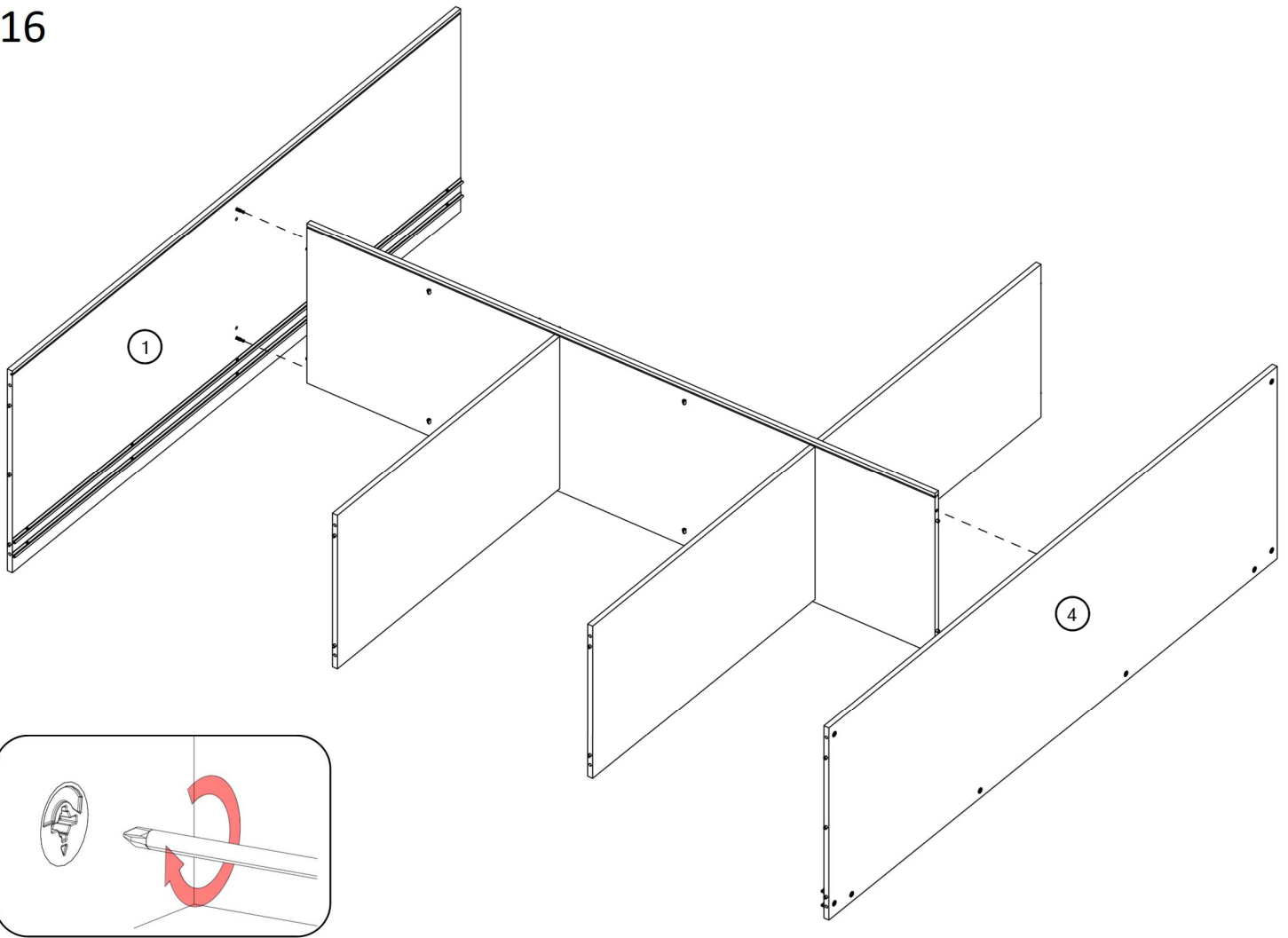
14



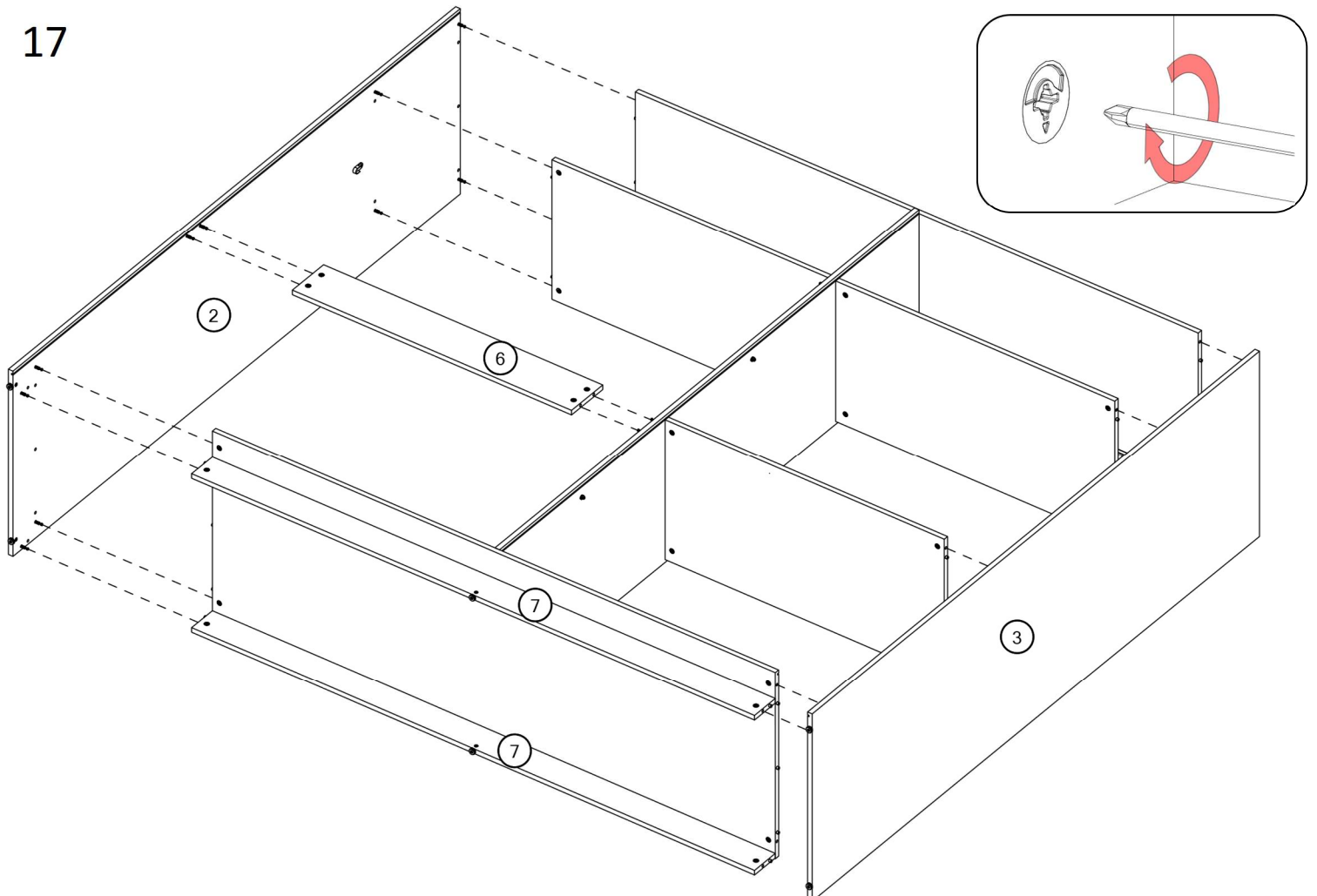
15



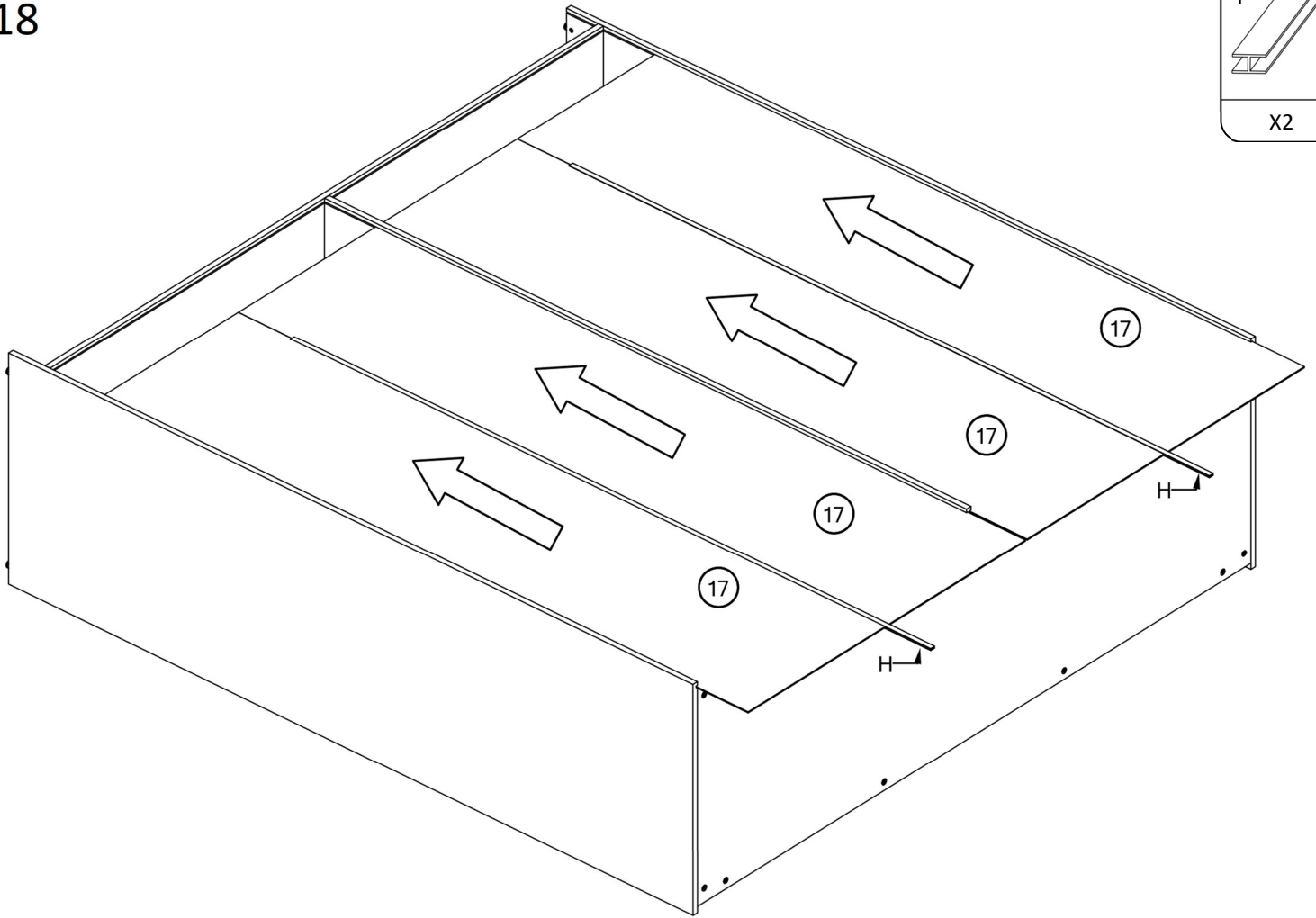
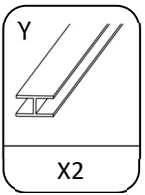
16



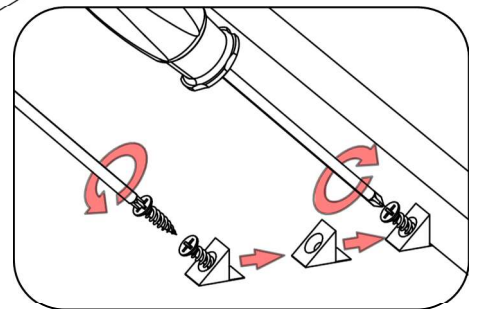
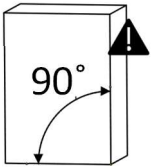
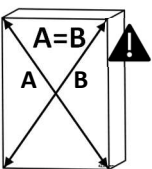
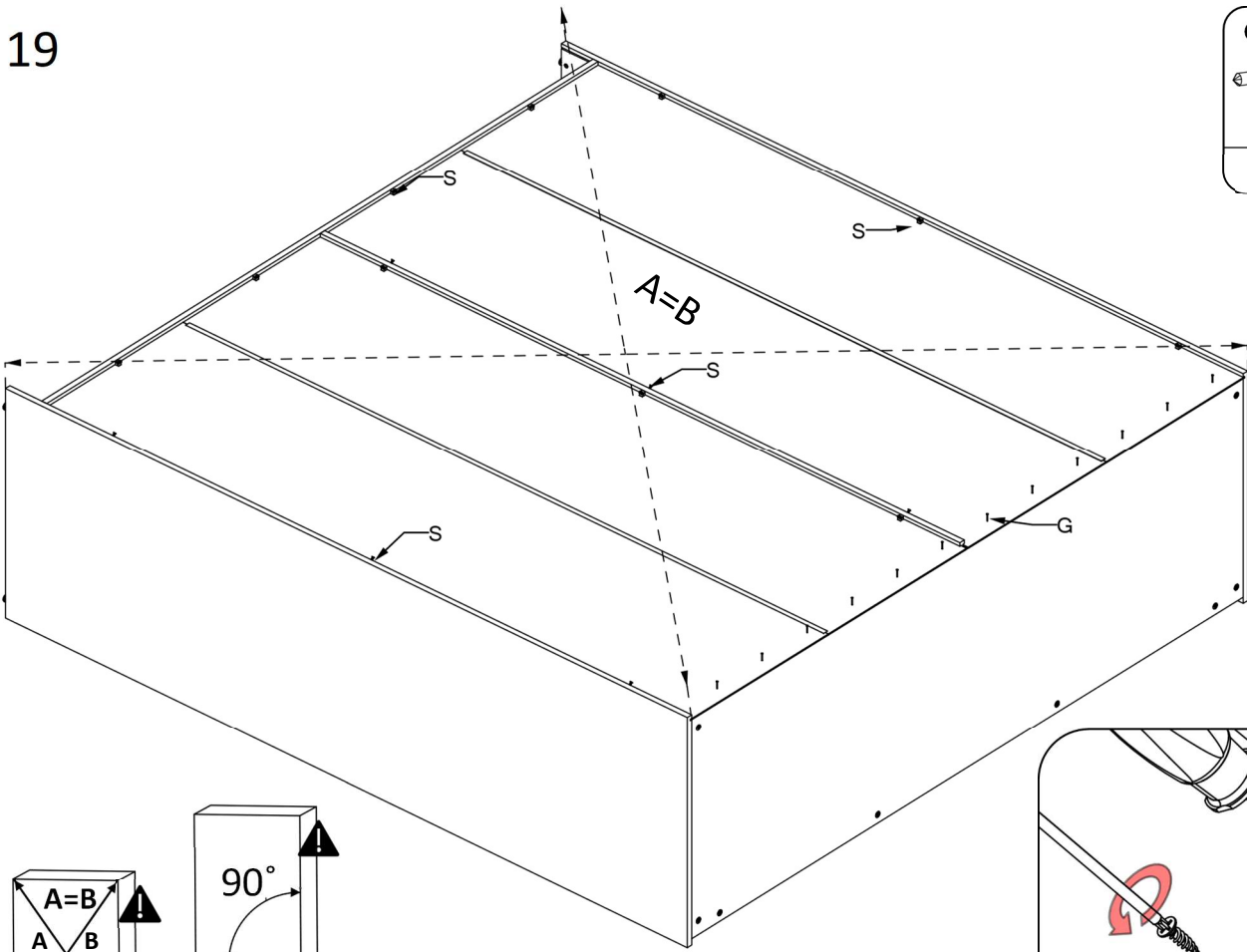
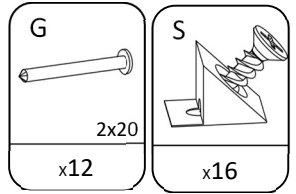
17



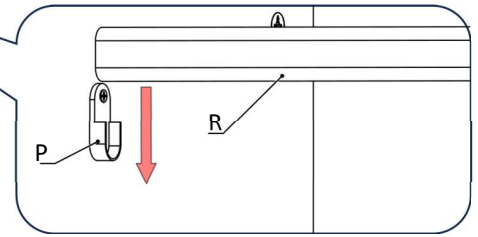
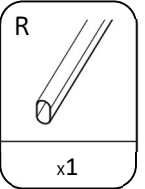
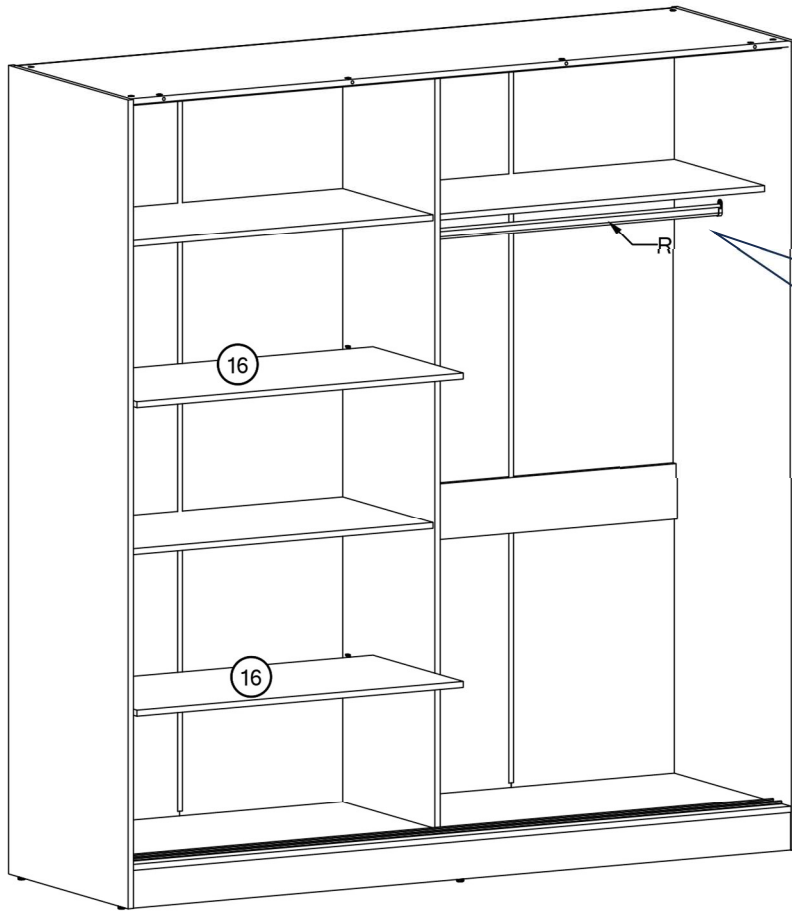
18



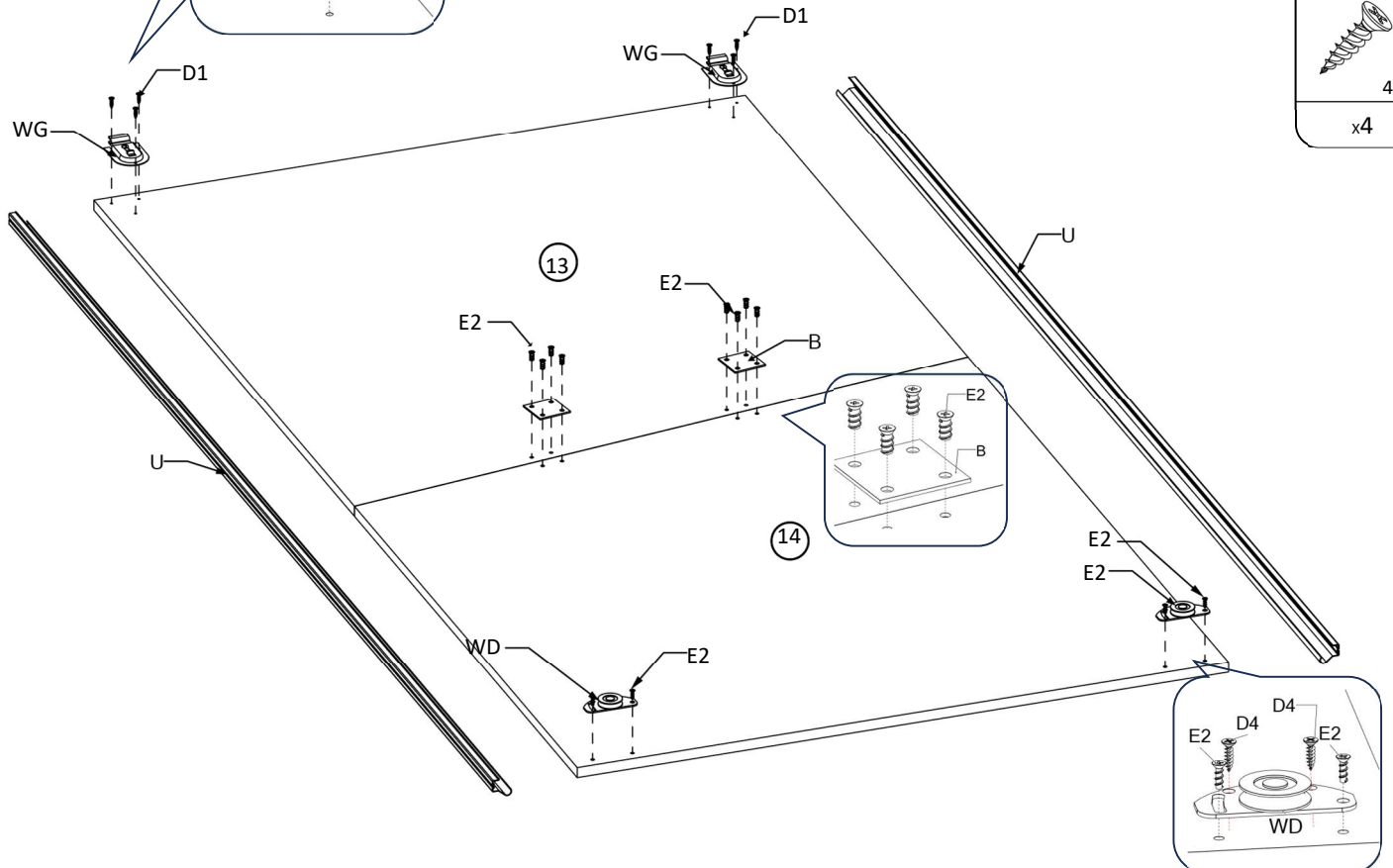
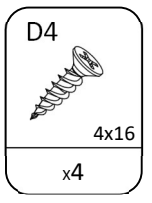
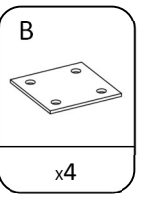
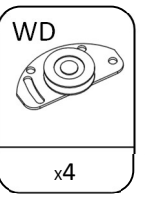
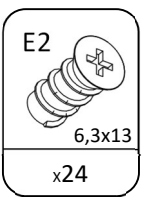
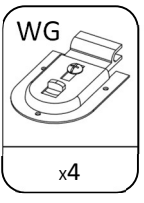
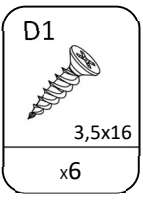
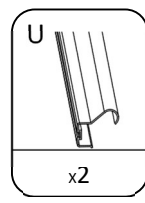
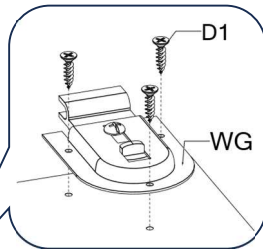
19



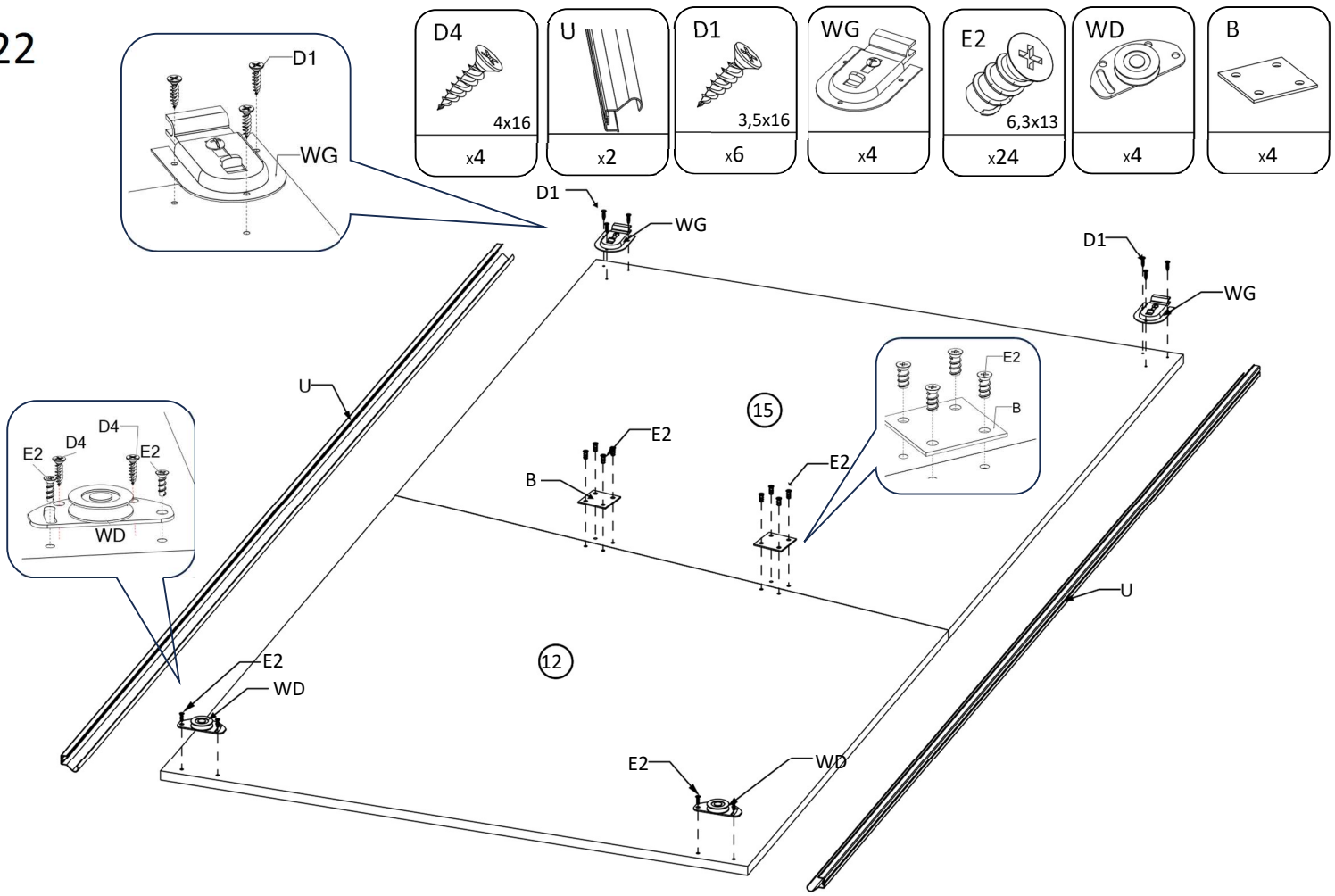
20



21



22



23

