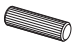
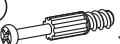







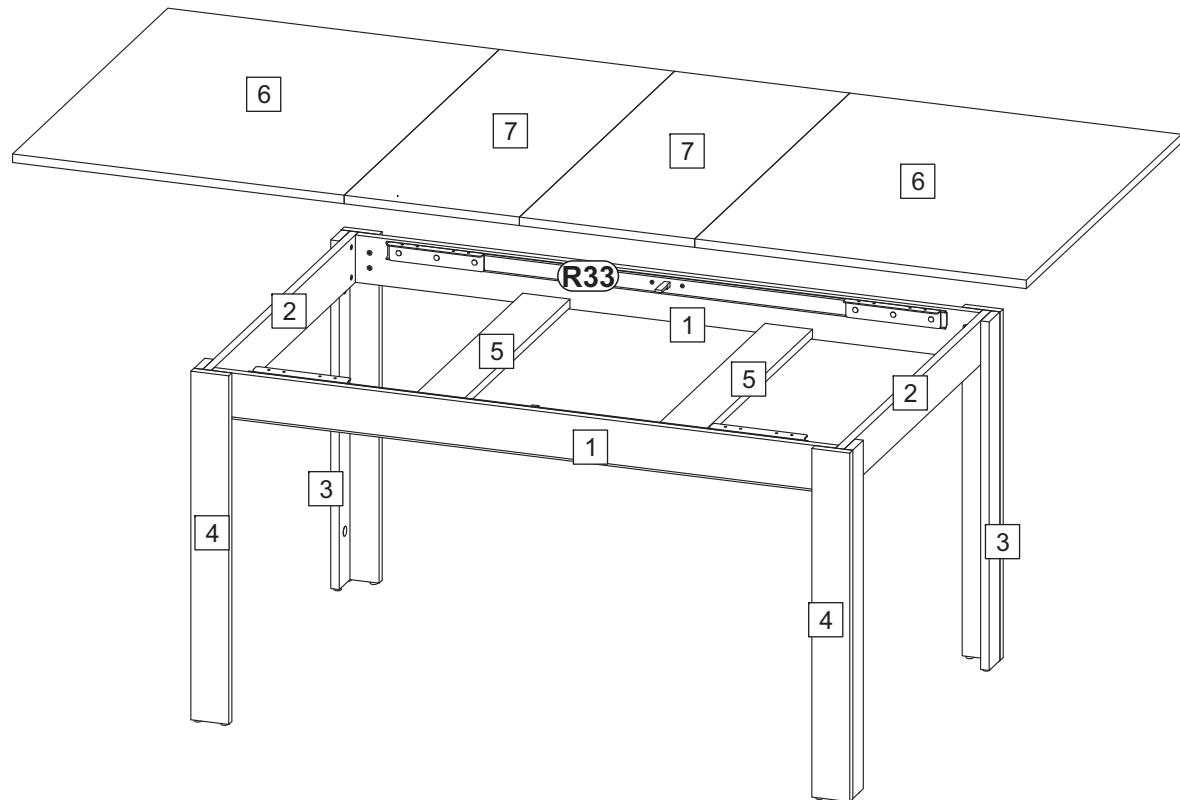


<b>B1</b>		$\phi$ 8x28	x20
<b>T1</b>			x16
<b>M1</b>			x16
<b>C2</b>		$\phi$ 20	x12
<b>K1</b>		7x50	x8
<b>G29</b>			x9
<b>F15</b>			x12
<b>S30</b>		5x30	x16
<b>S5</b>		3,5x16	x28

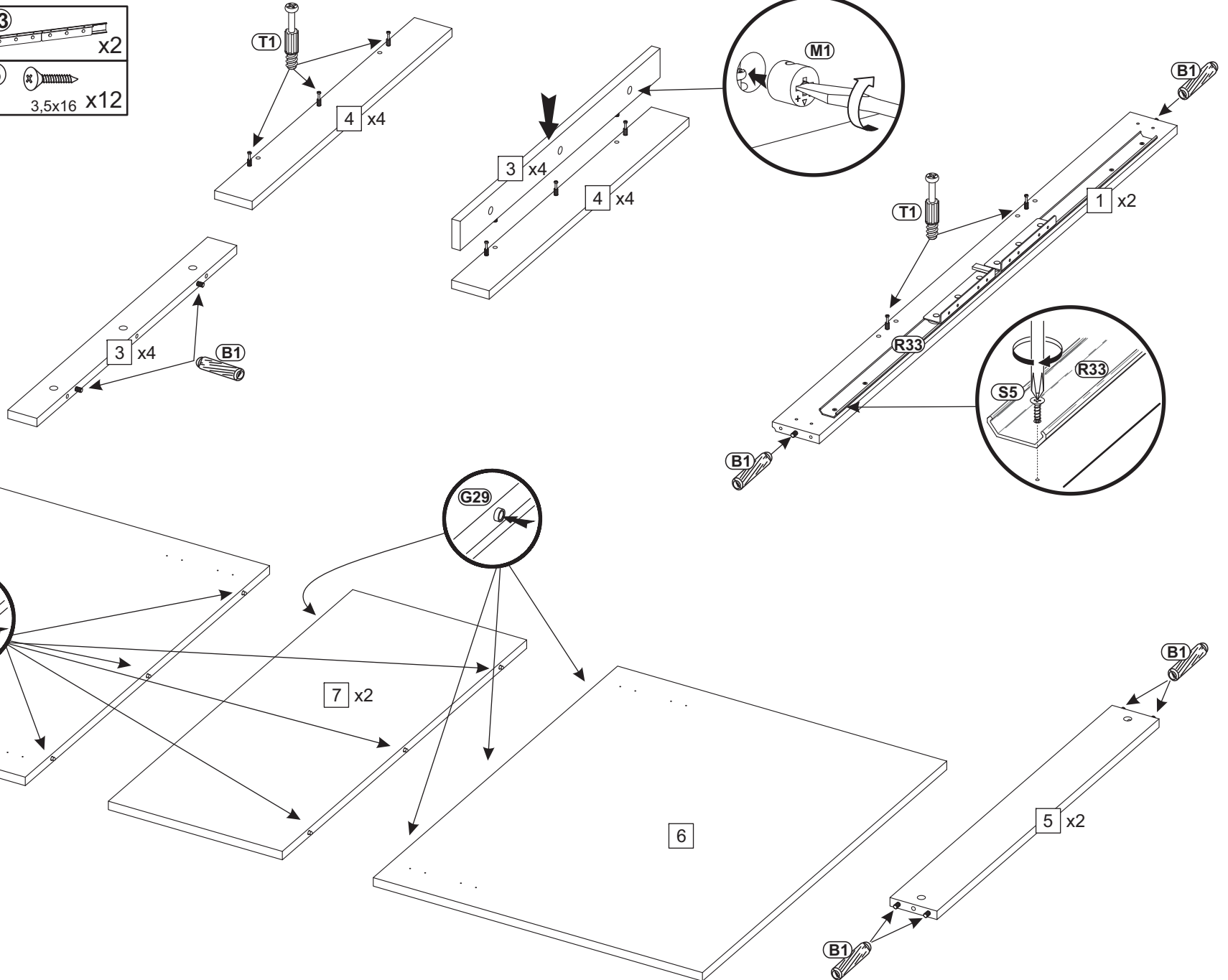
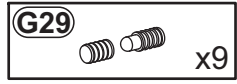
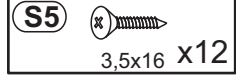
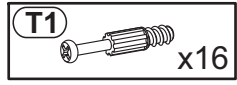
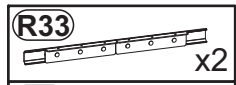
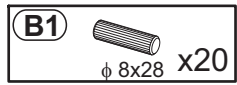
Nr	Ausmaß			St	Colli
1	1318	100	15	2	1
2	854	100	15	2	1
3	736	62	18	4	1
4	736	80	18	4	1
5	824	100	18	2	1
6	700	900	18	2	2
7	370	900	18	2	2
R33	1180			2	1



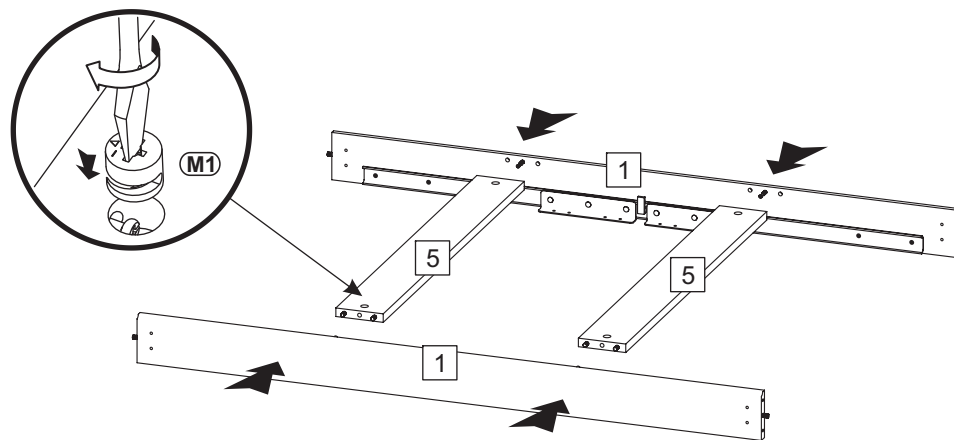
0 10 20 30 40 50 60 70 80 90 100 110 120 130 140 150 160 170 180 190 200



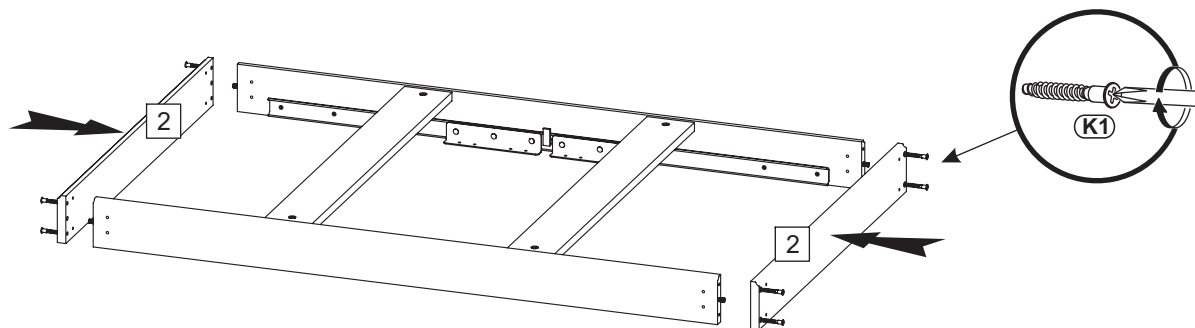
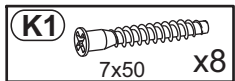
# 1



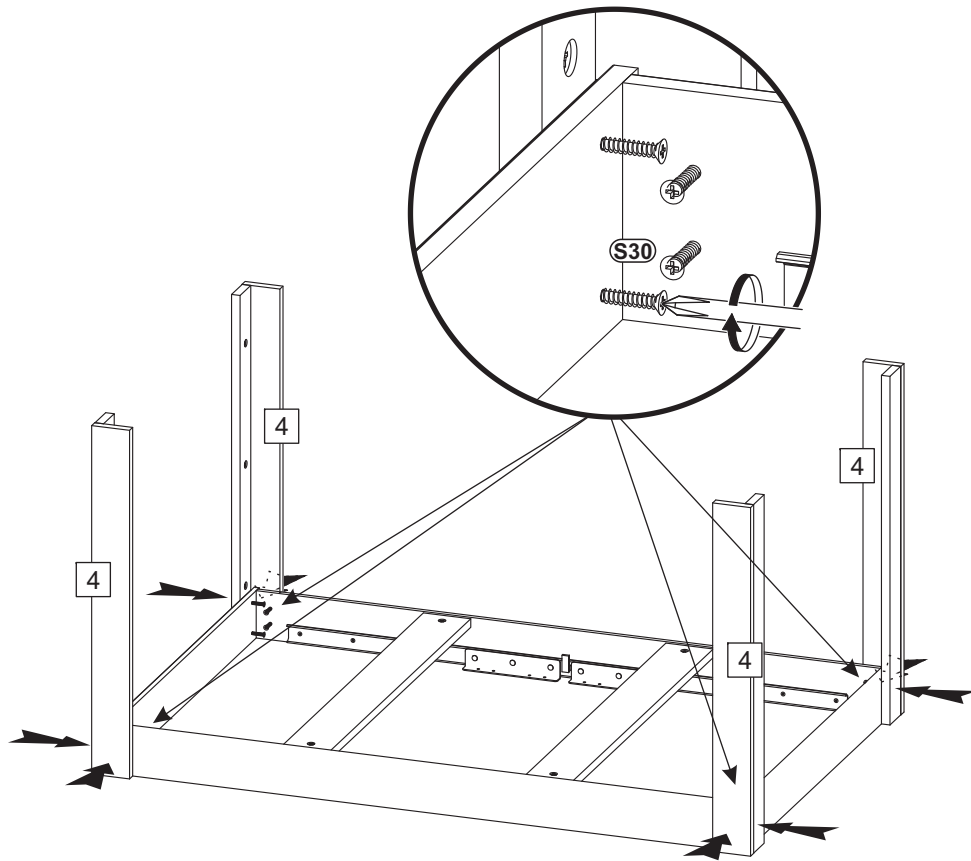
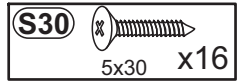
2



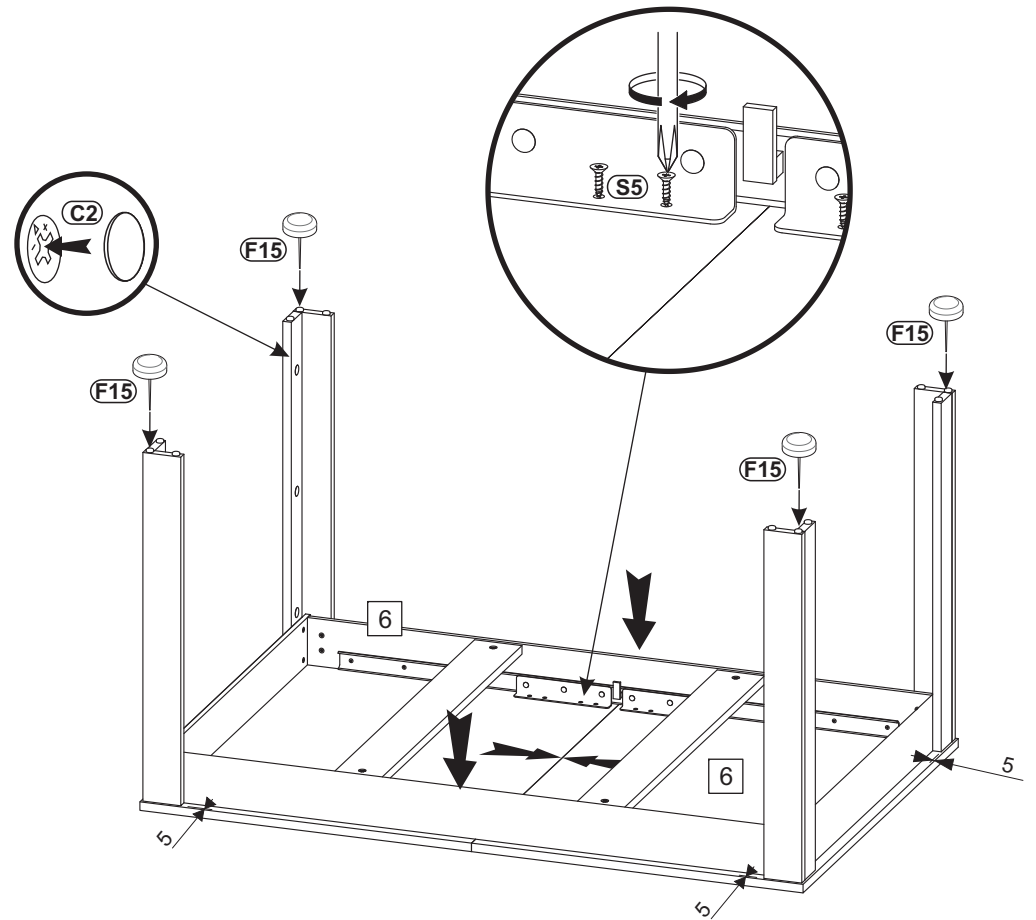
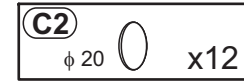
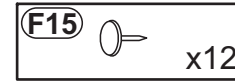
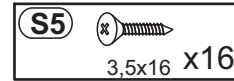
3



4



5



6

