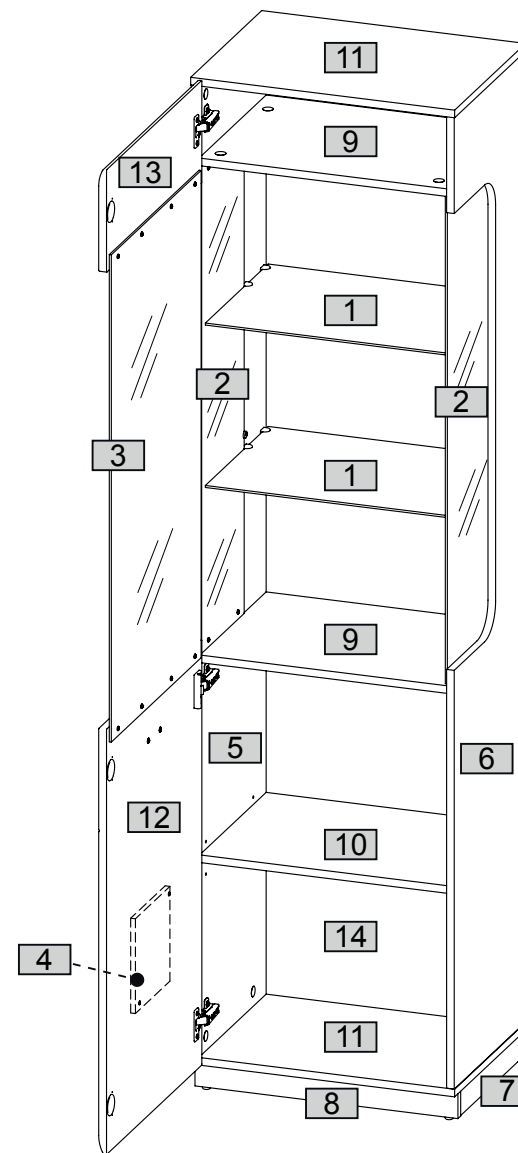
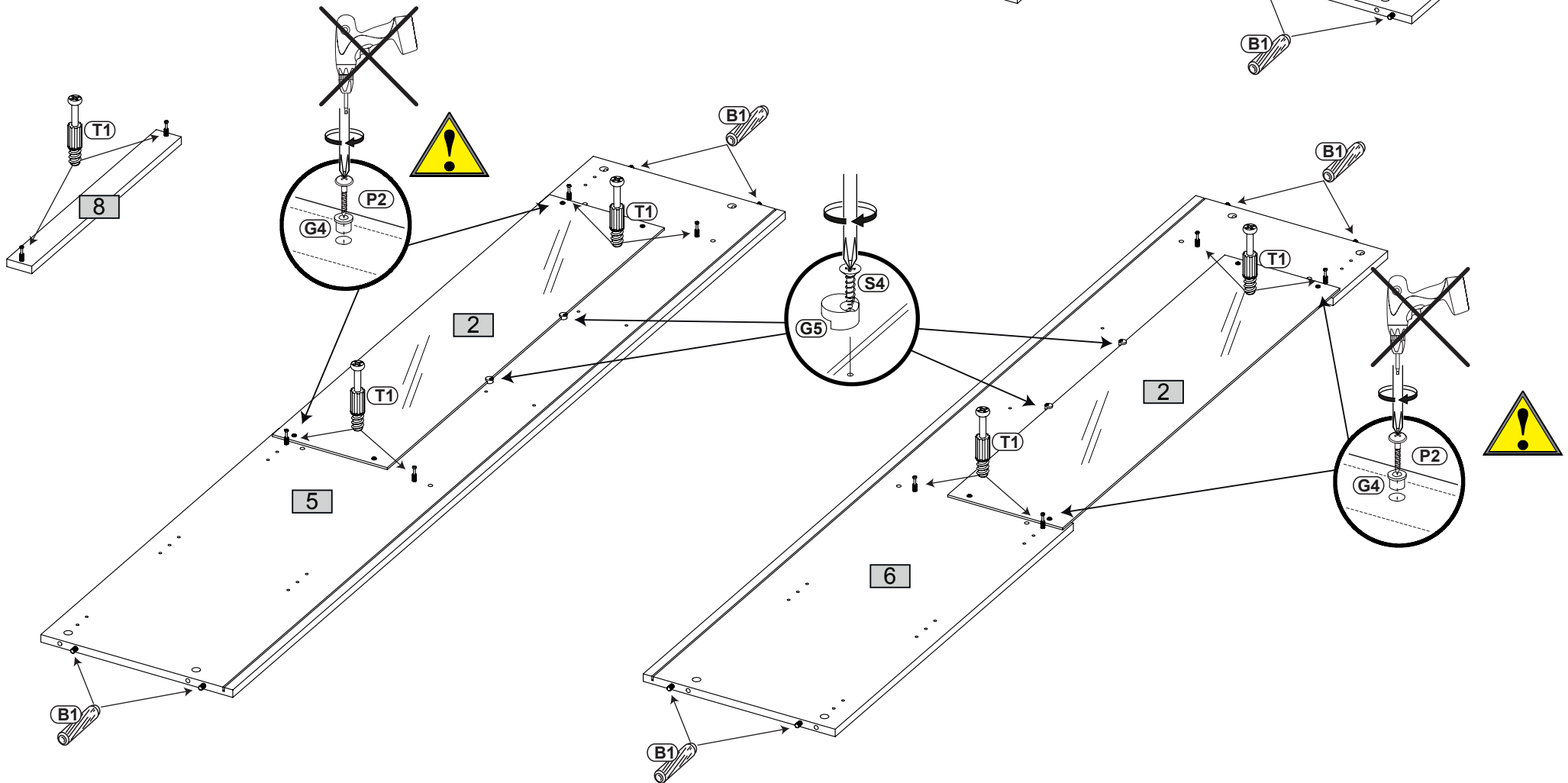
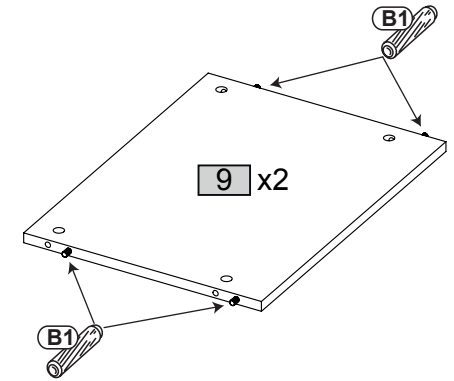
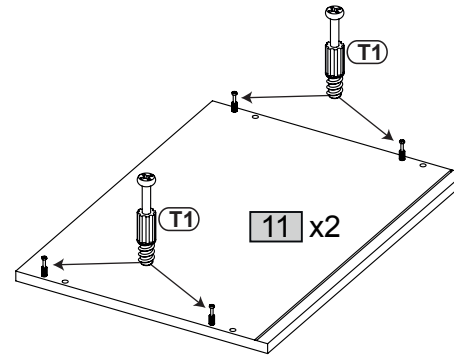
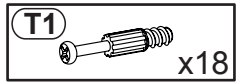
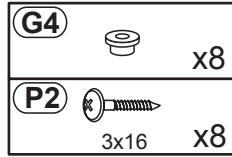
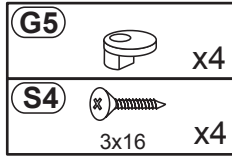
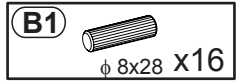


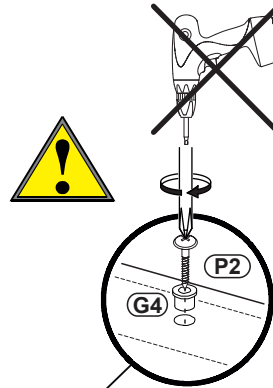
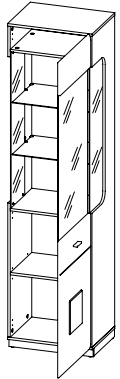
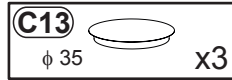
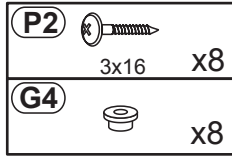
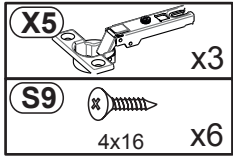
| Nr | Ausmaß | | St | Colli |
|----|--------|-----|------|-------|
| 1 | 479 | 340 | 4 2 | 1 |
| 2 | 960 | 230 | 4 2 | 2 |
| 3 | 960 | 486 | 4 1 | 2 |
| 4 | 200 | 200 | 10 1 | 2 |
| 5 | 1914 | 384 | 15 1 | 2 |
| 6 | 1914 | 384 | 15 1 | 2 |
| 7 | 349 | 50 | 15 2 | 2 |
| 8 | 518 | 50 | 15 1 | 2 |
| 9 | 488 | 363 | 15 2 | 1 |
| 10 | 488 | 360 | 15 1 | 1 |
| 11 | 520 | 384 | 15 2 | 1 |
| 12 | 838 | 516 | 16 1 | 2 |
| 13 | 202 | 516 | 16 1 | 2 |
| 14 | 1928 | 504 | 2 1 | 2 |



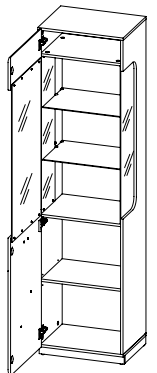
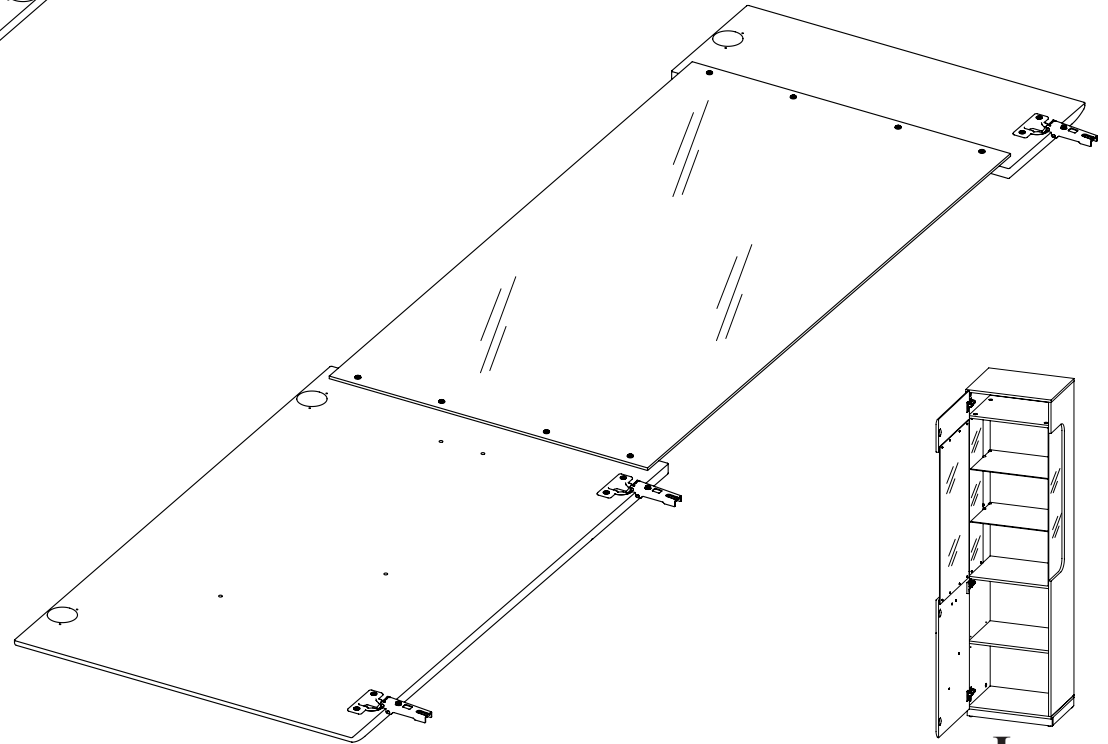
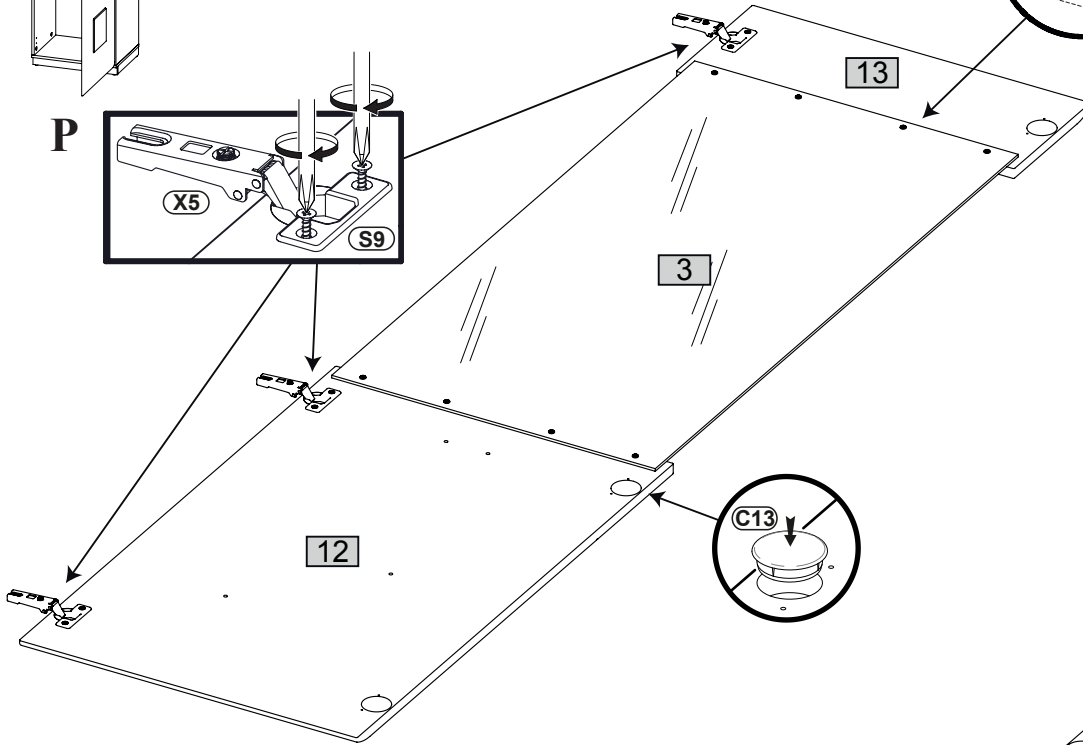
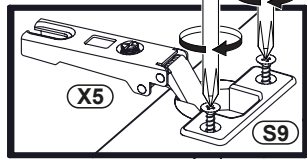
1



2

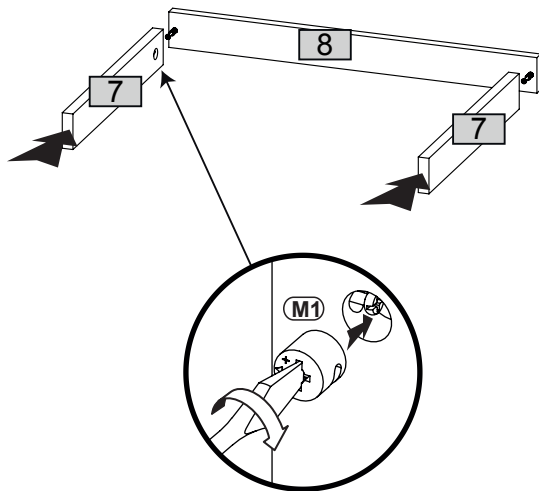


P

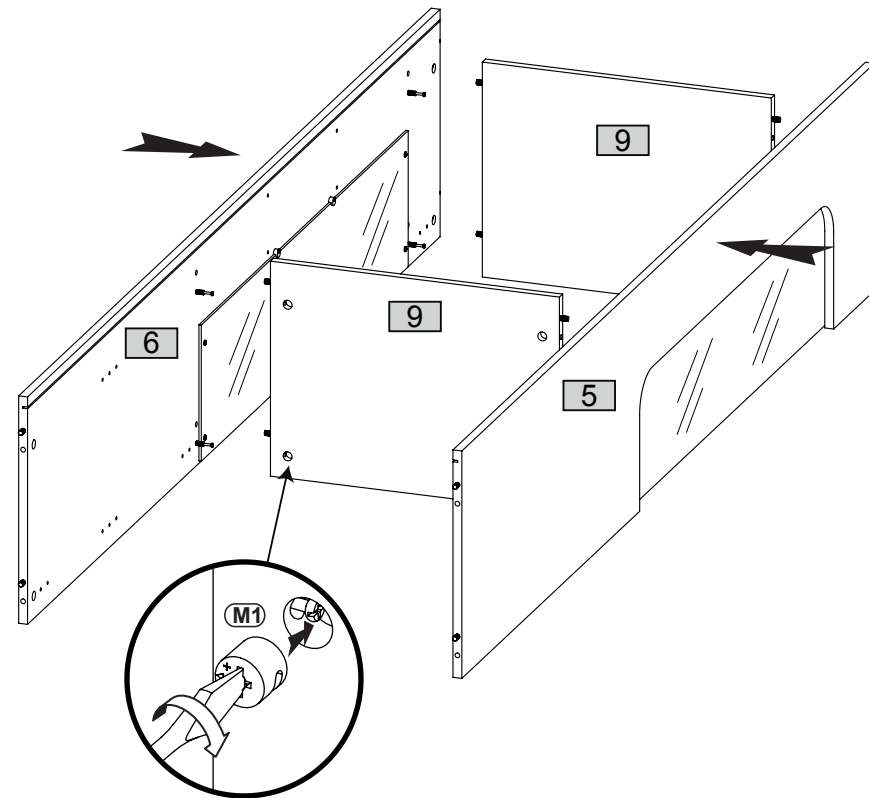


L

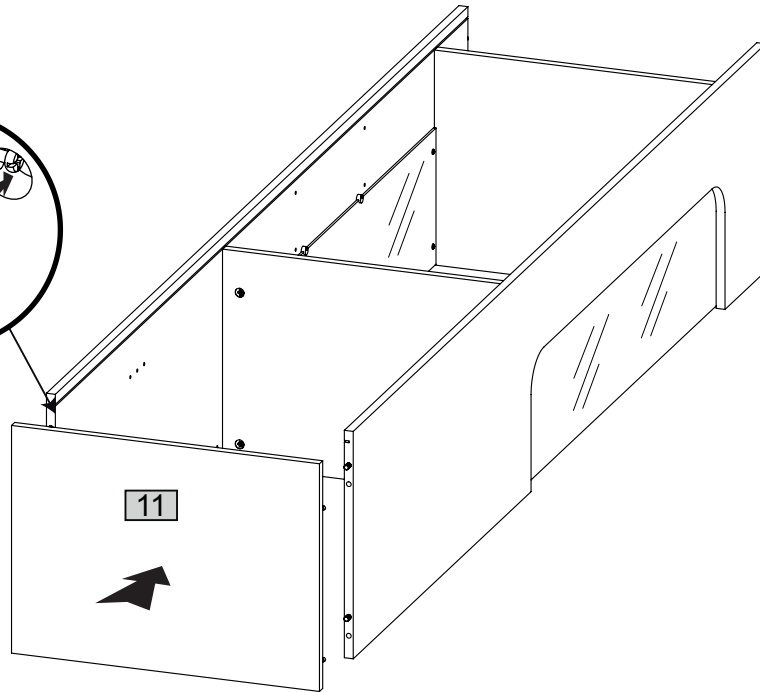
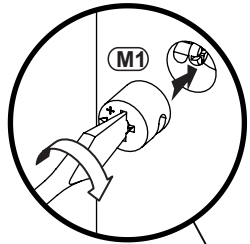
3



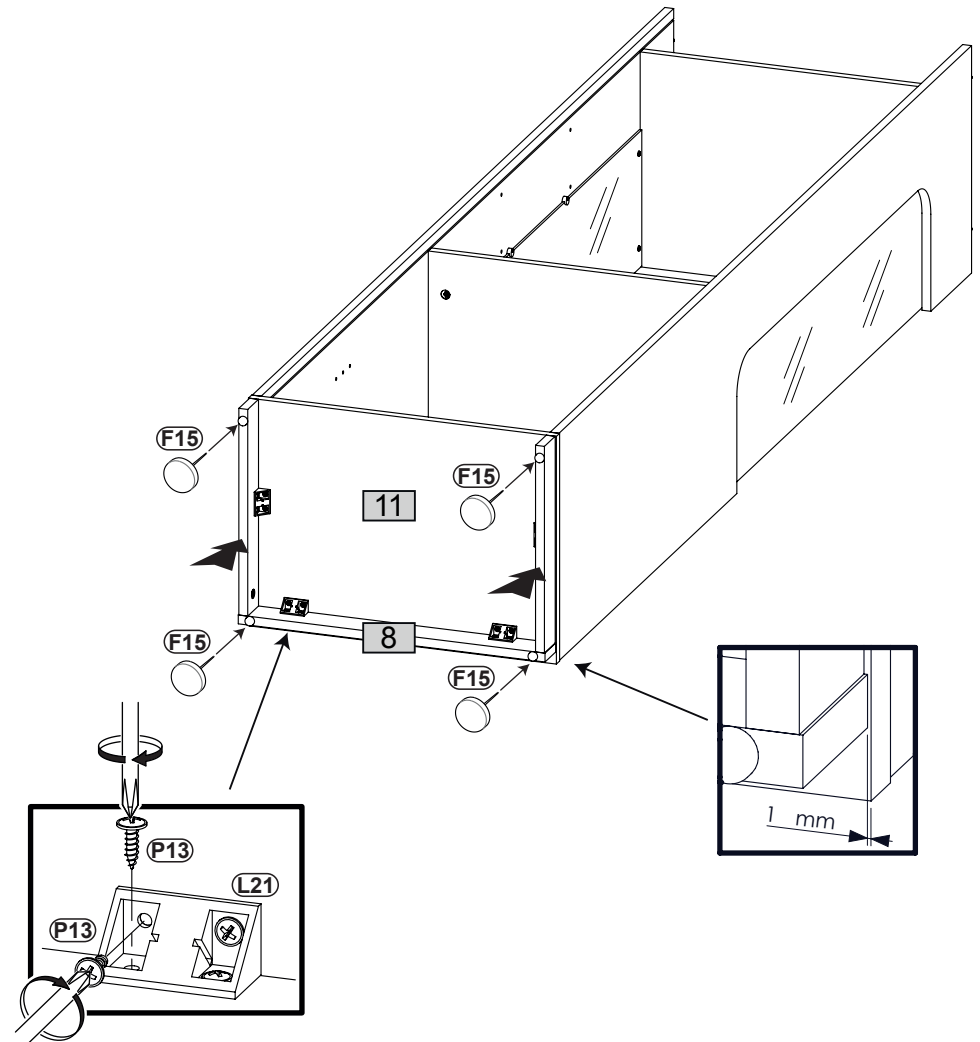
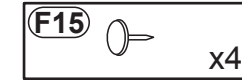
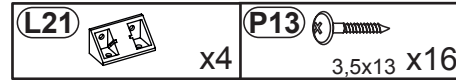
4



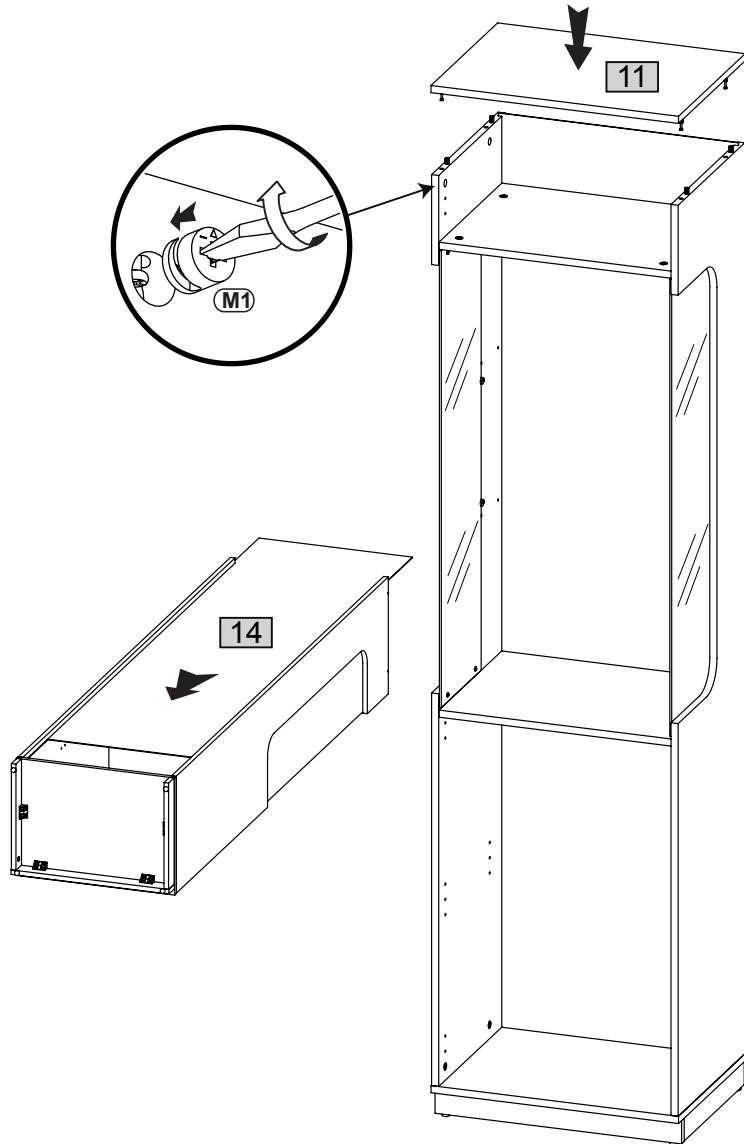
5



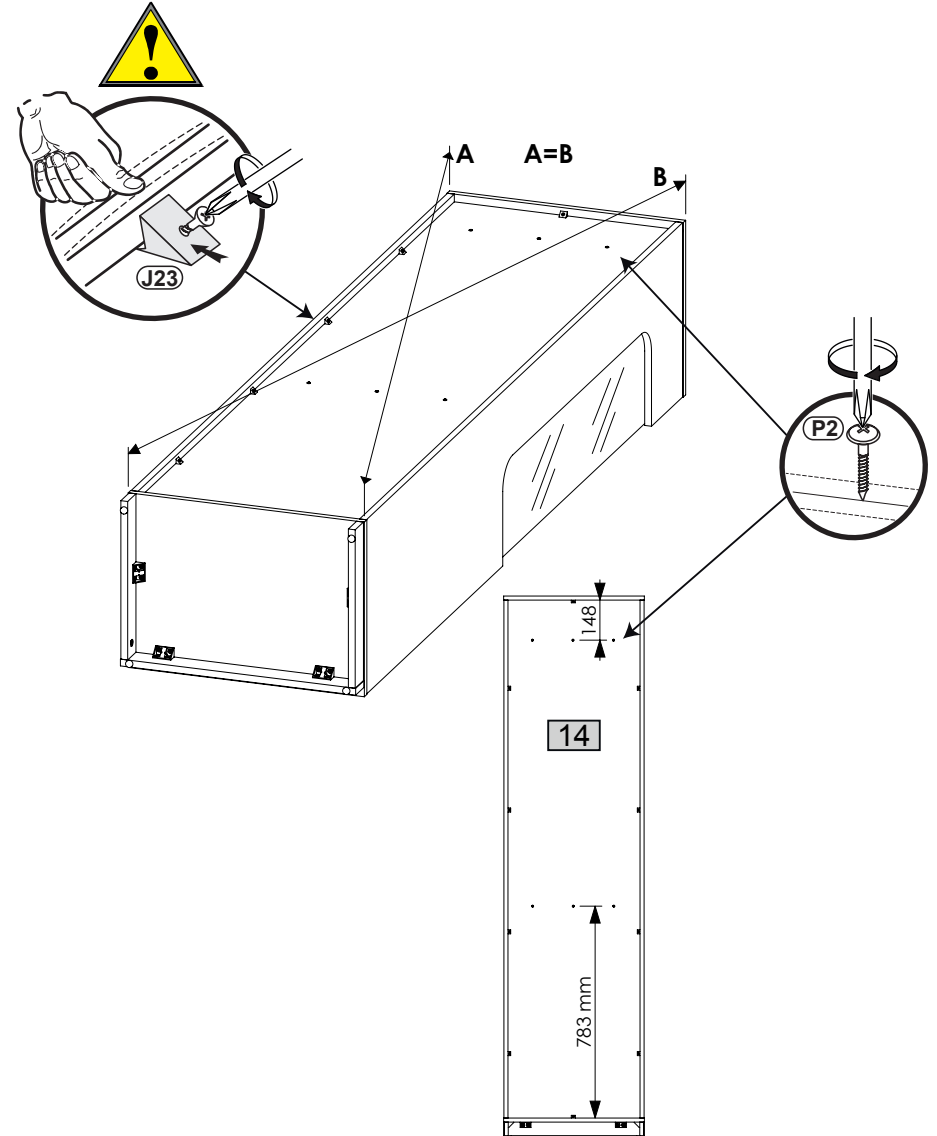
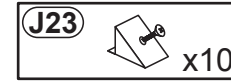
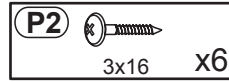
6



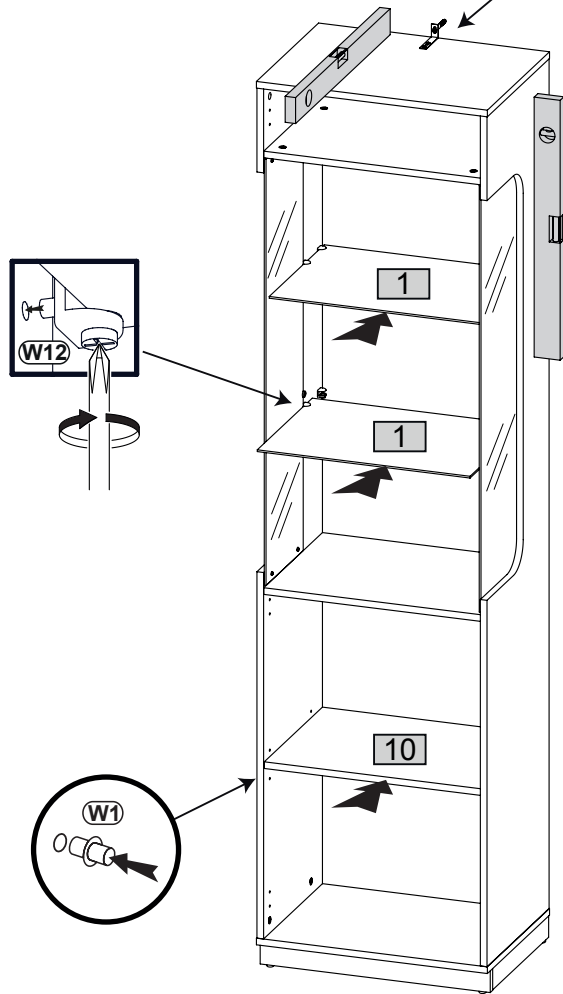
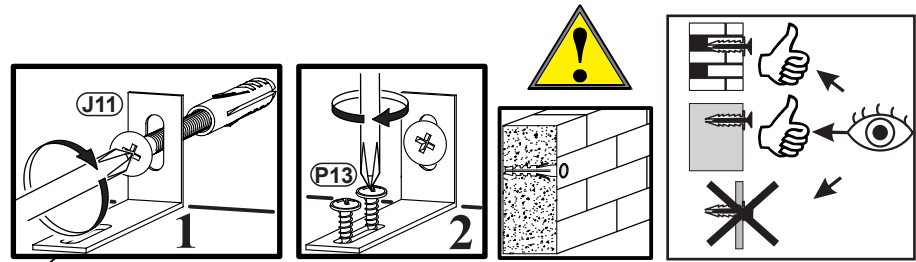
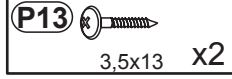
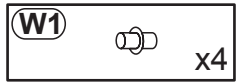
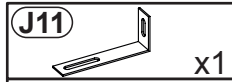
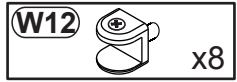
7



8



9



10

