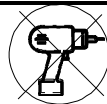
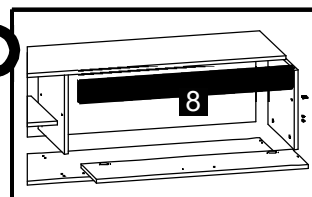
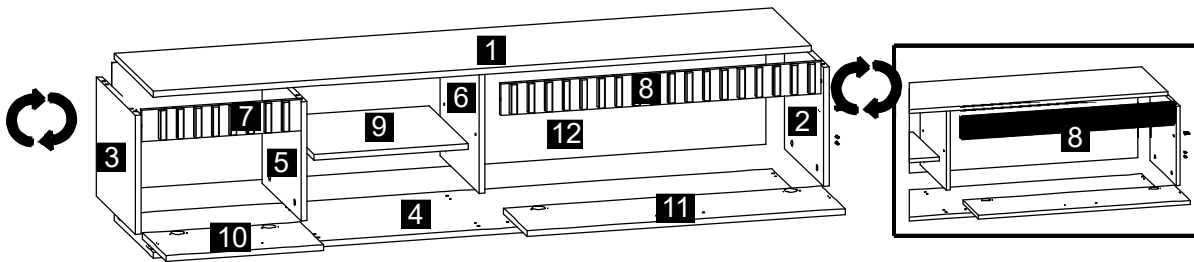
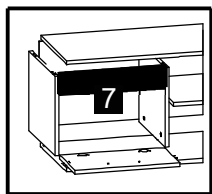
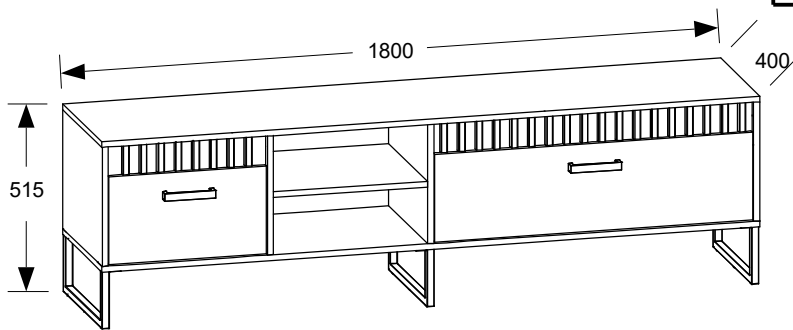
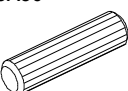

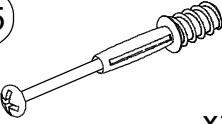
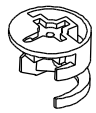
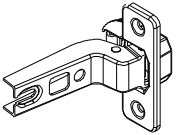
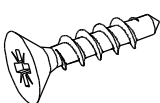

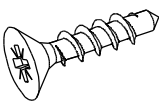
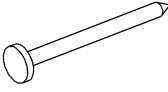
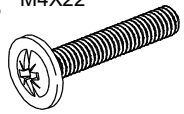
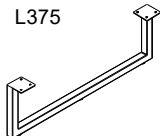
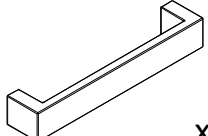
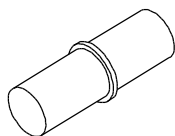
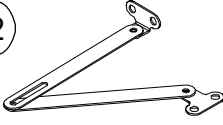


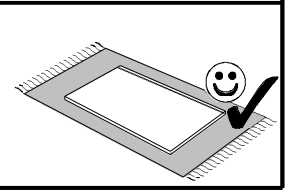
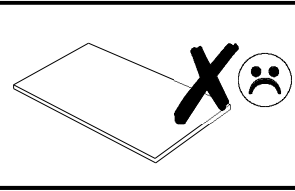
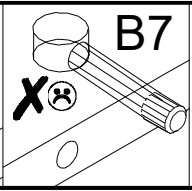
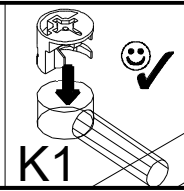
07




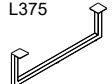
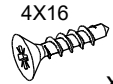

RTV 180

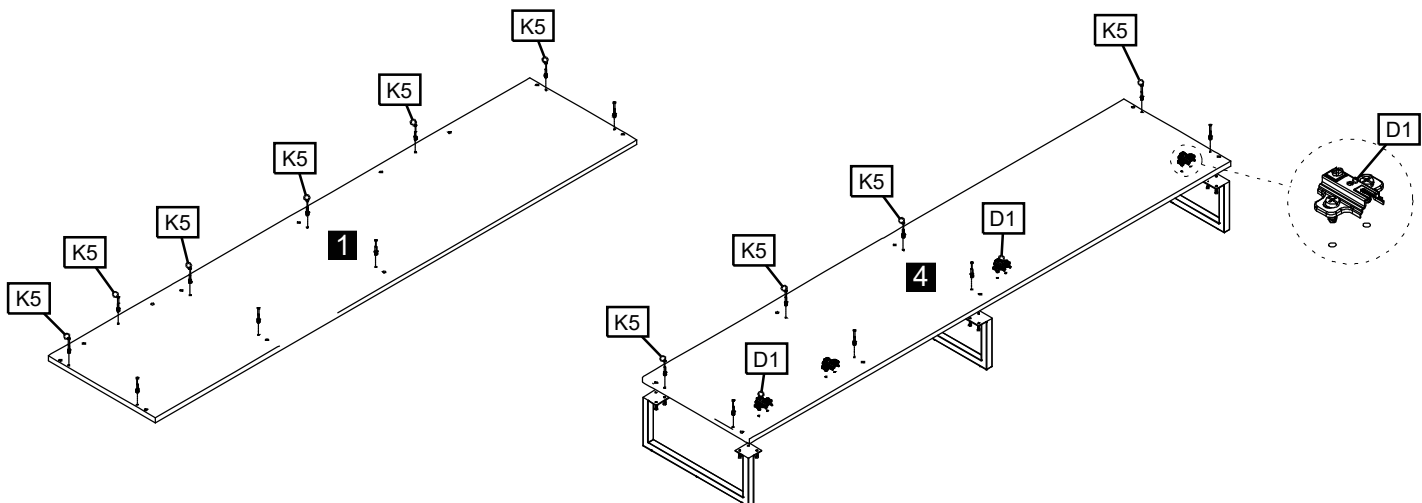


B7 Ø8X30  x24	K1z  x18	K5  x18	K1 Ø15X12  x18	C2  x4
G6 3X13  x8	D1  x4	G4 4X16  x26	W4  x30	N14 M4X22  x4
P5 L375  x3	E3  x2	F2  x4	L2  x2	

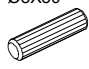


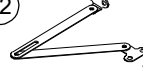


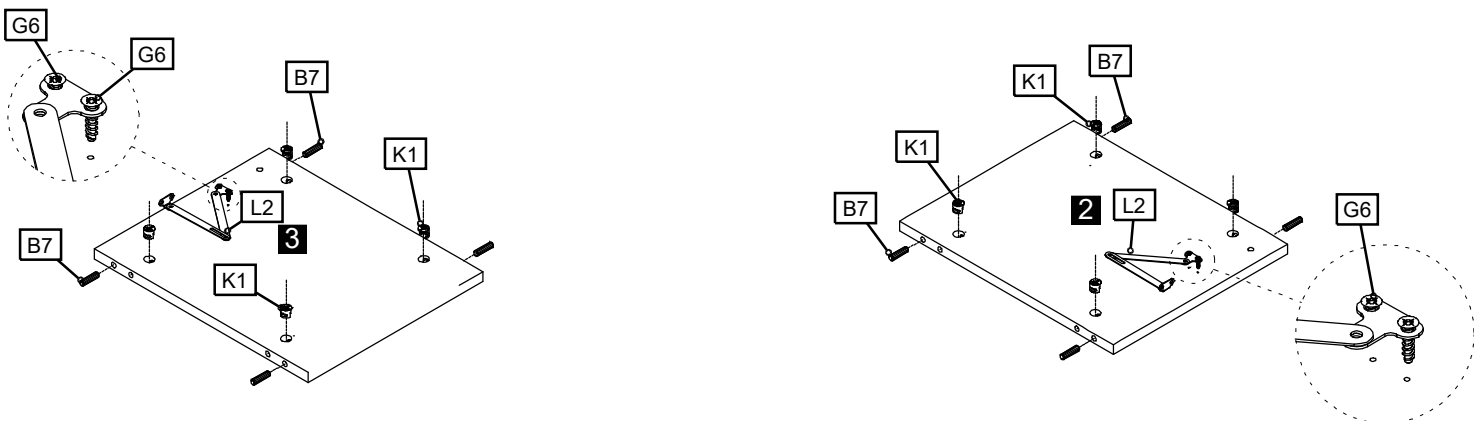
01

- (K5)  x18
- (P5) L375  x3
- (G4) 4X16  x18
- (D1)  x4

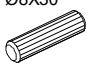




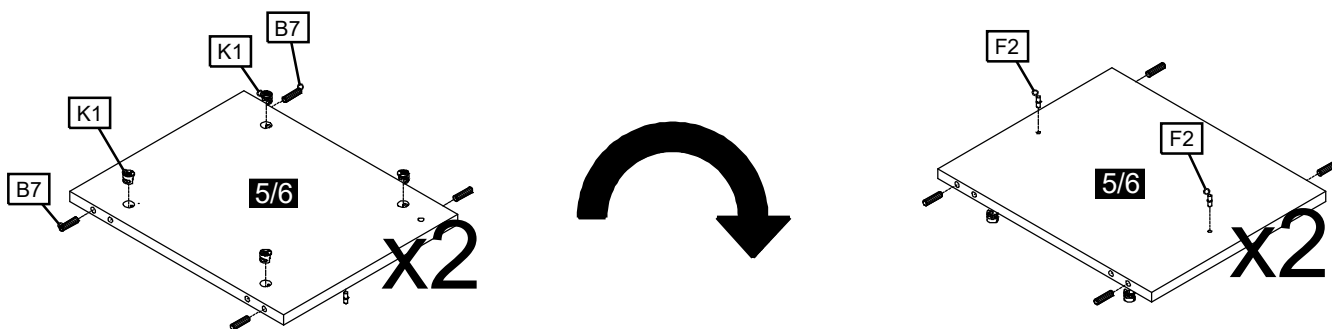
02

- (B7) $\varnothing 8 \times 30$  x8
- (K1) $\varnothing 15 \times 12$  x8
- (G6) 3X13  x4
- (L2)  x2

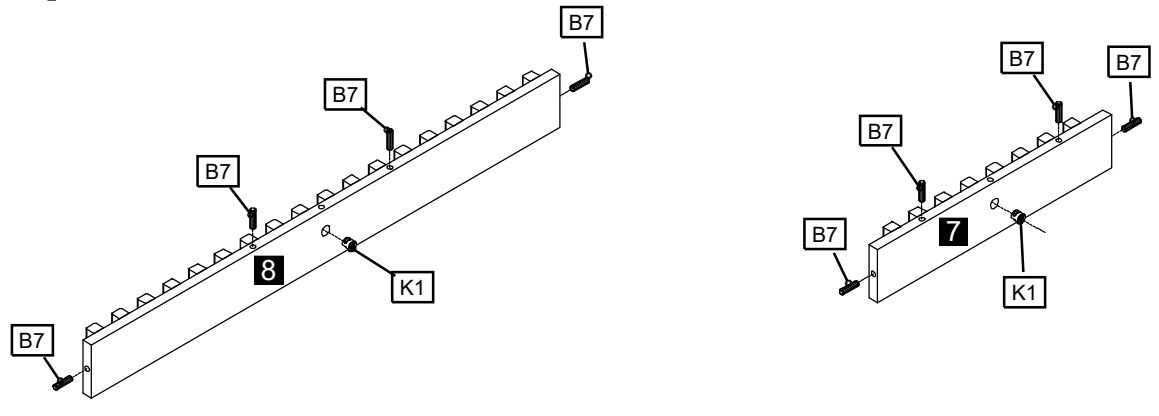
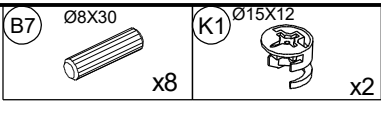


03

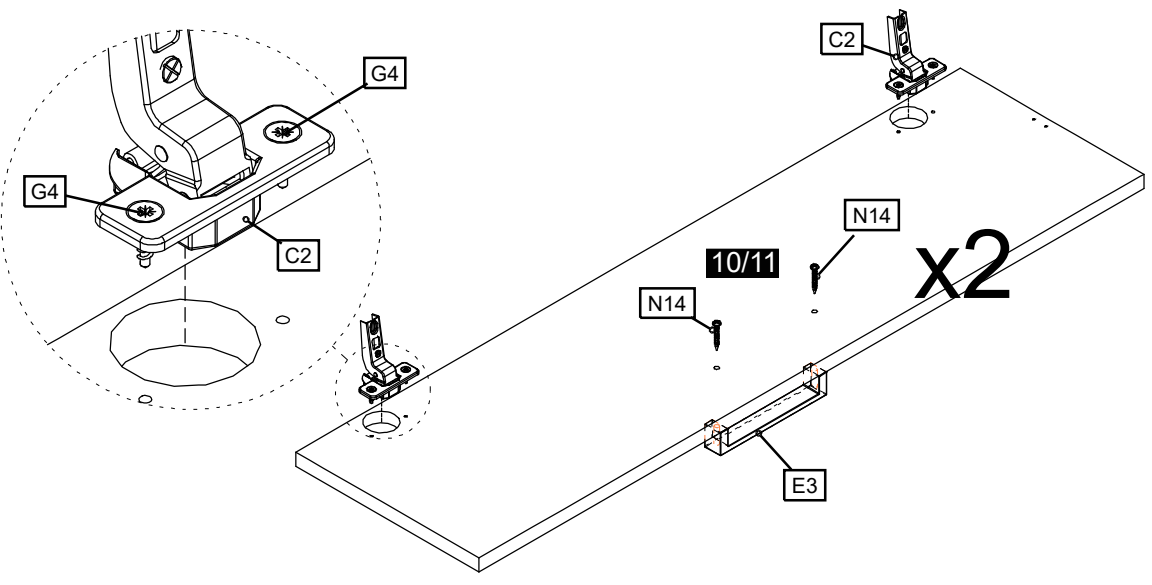
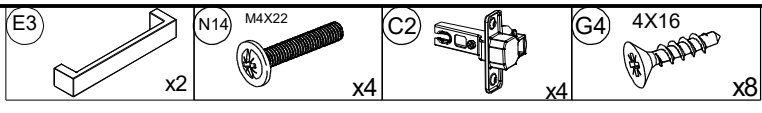
- (B7) $\varnothing 8 \times 30$  x8
- (K1) $\varnothing 15 \times 12$  x8
- (F2)  x4



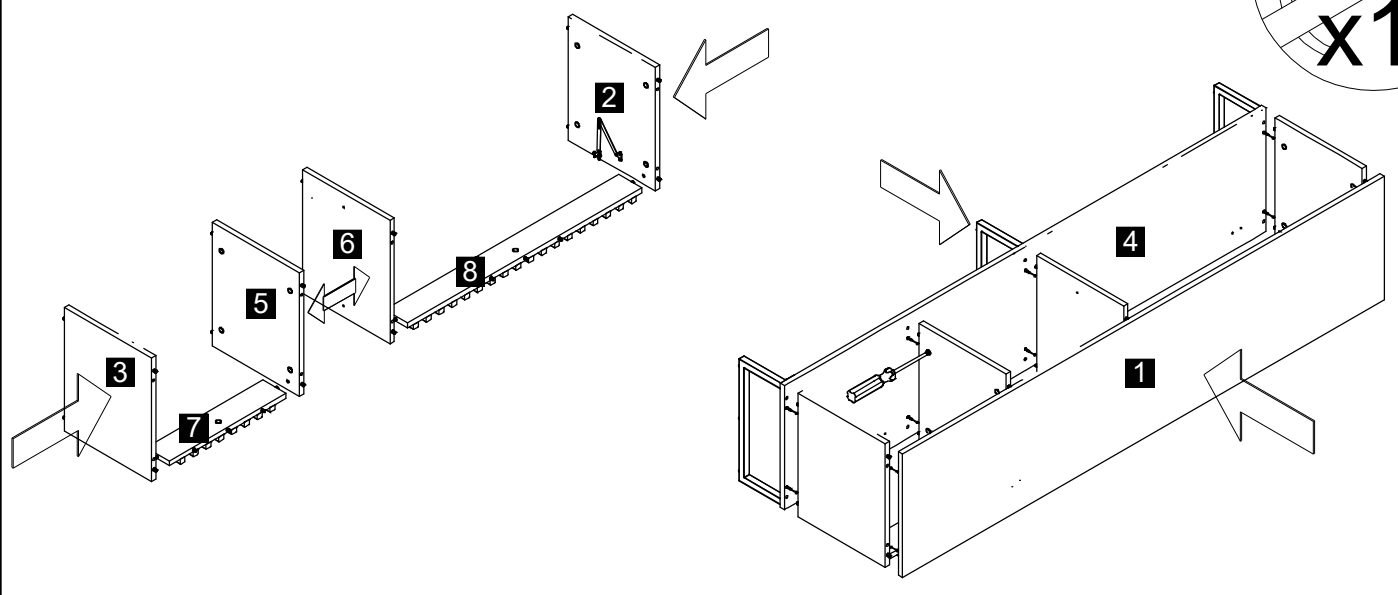
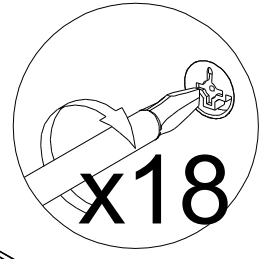
04



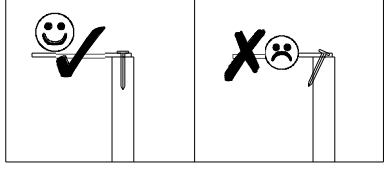
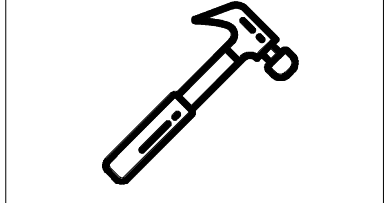
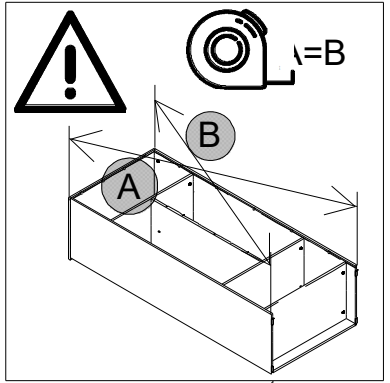
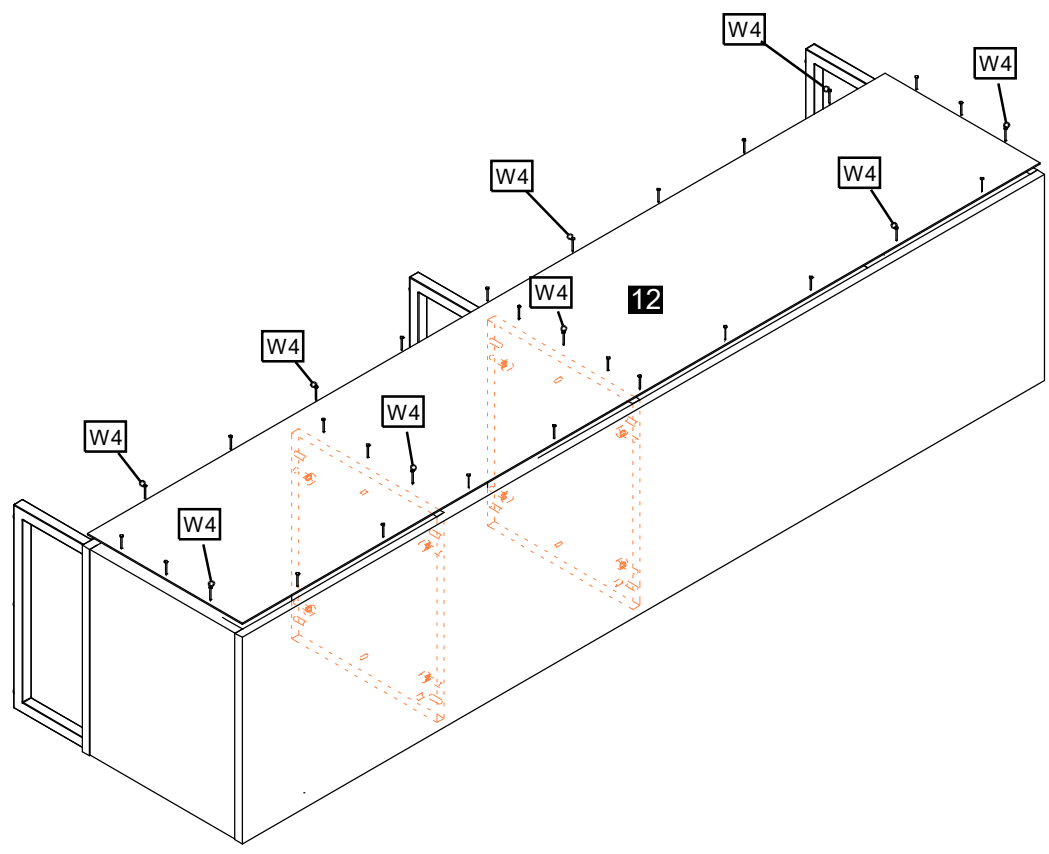
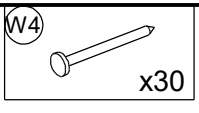
05



06



07



08

