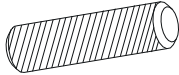

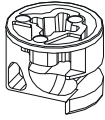

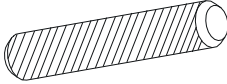

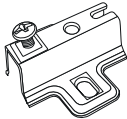
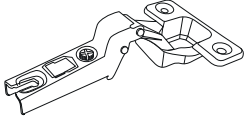

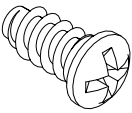


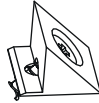
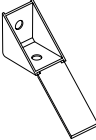
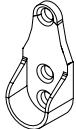
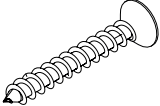
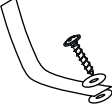
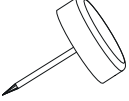
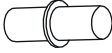
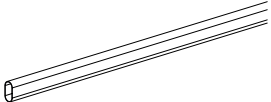
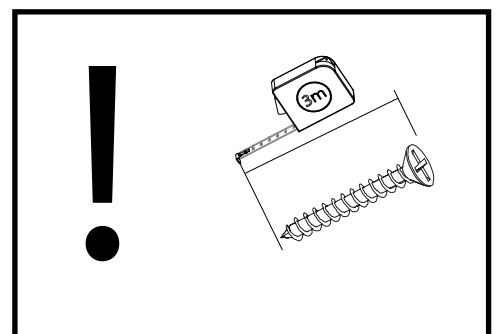
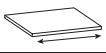
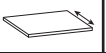




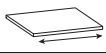



DROP 02

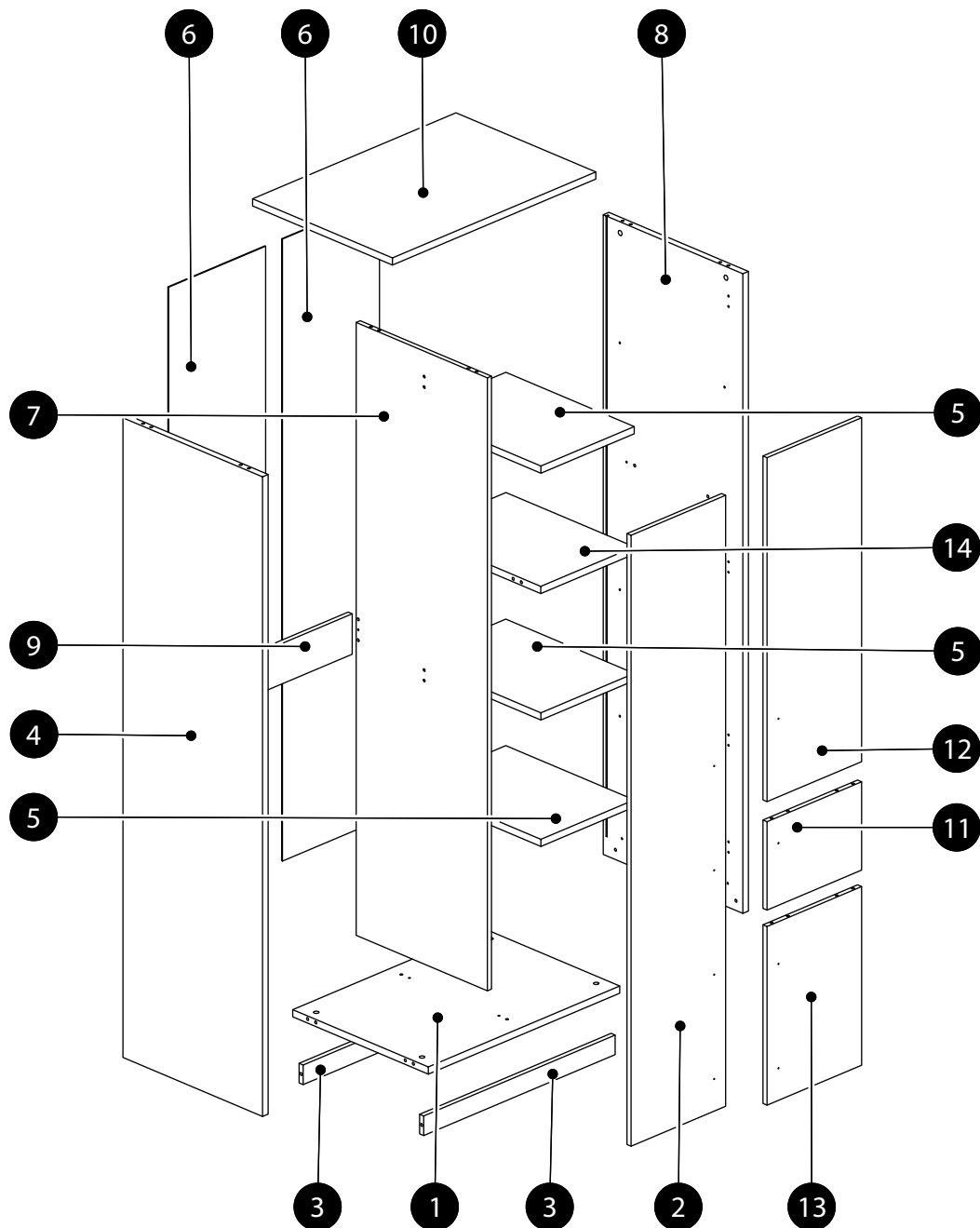
<p>K1 x 24 8x32</p> 	<p>ZJ1 x 18 L-43</p> 	<p>B2 x 26 h-12</p> 
<p>ZS2 x 24 Ø20</p> 	<p>K2 x 4 8x60</p> 	<p>ZD1 x 4 L68</p> 
<p>PK4 x 7 H-4</p> 	<p>ZP9 x 7 WEWN</p> 	<p>WT1 x 26 3,5x15</p> 
<p>WE2 x 14 EK6,3x13B</p> 	<p>BR1 x 8 16x12x1</p> 	<p>GW1 x 24 1,4x25</p> 
<p>SP x 6</p> 	<p>PO4 x 2</p> 	<p>UBO x 4</p> 
<p>WT18 x 8 4x30</p> 	<p>PZK x 1</p> 	<p>SG1 x 6</p> 
<p>PO2 x 12 Ø5</p> 	<p>D x 2 L- 363</p> 	



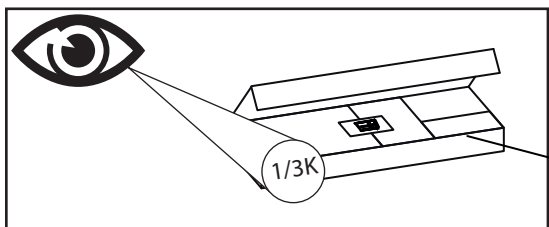
DROP 02

	CODE				
1	Drop02K_02	753	533	1	1/3K
2	Drop02K_10	1874	372	1	3/3K
3	Drop02K_09	753	60	2	1/3K
4	Drop02K_03	1962	549	1	2/3K
5	Drop02K_07	367	505	3	1/3K
6	Drop02KHDF_01	381	1906	2	3/3K
7	Drop02K_05	1880	516	1	3/3K
8	Drop02K_04	1962	549	1	2/3K
9	Drop02K_08	369	124	1	1/3K
10	Drop02K_01	800	550	1	1/3K

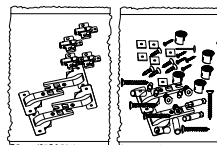
	CODE				
11	Drop02K_11	372	271	1	1/3K
12	Drop02W_01	1055	372	1	1/1W
13	Drop02W_02	548	372	1	1/1W
14	Drop02K_06	368	505	1	1/3K



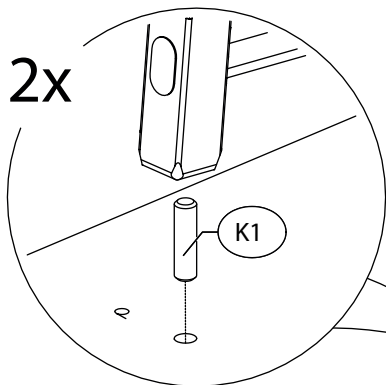
1.



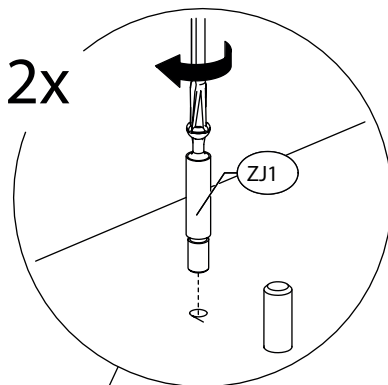
x2



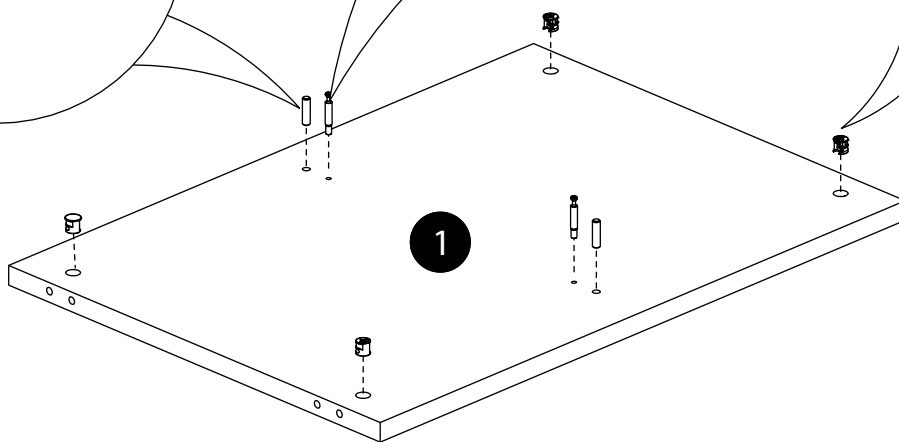
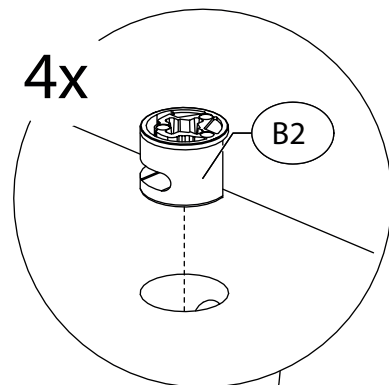
2x



2x

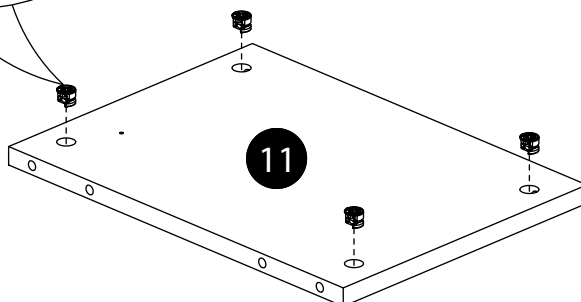
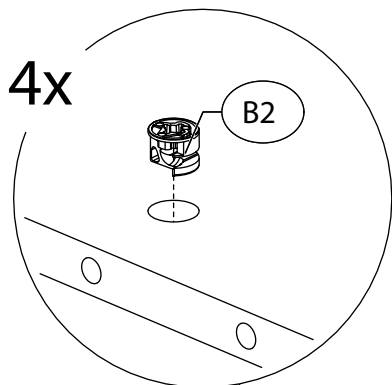


4x

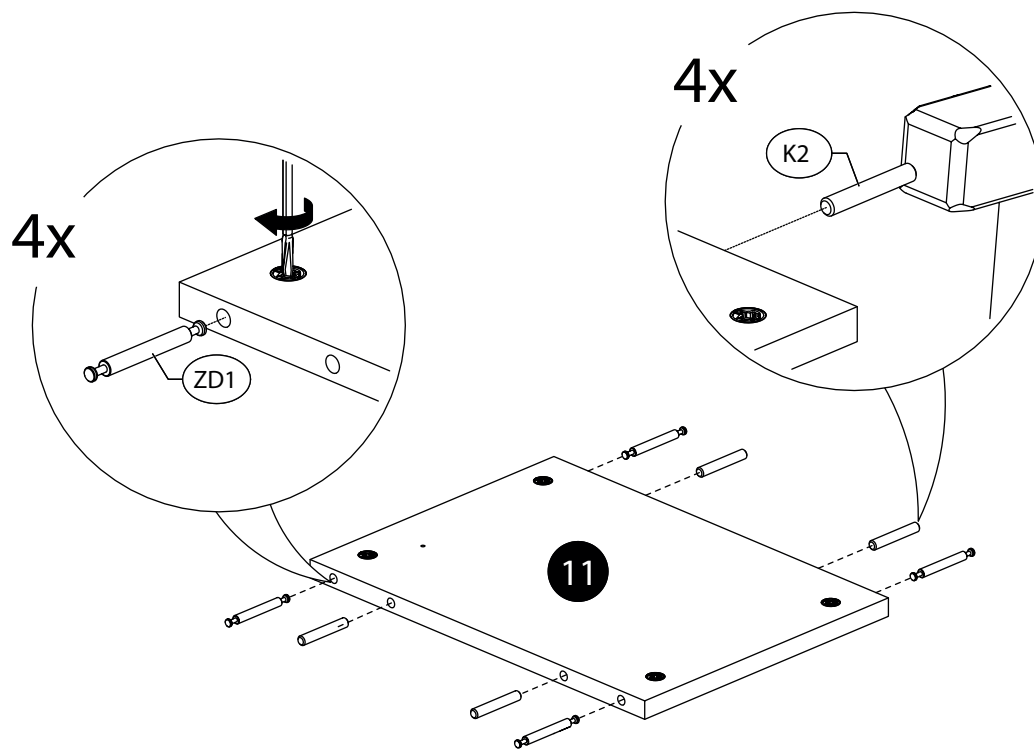


2a.

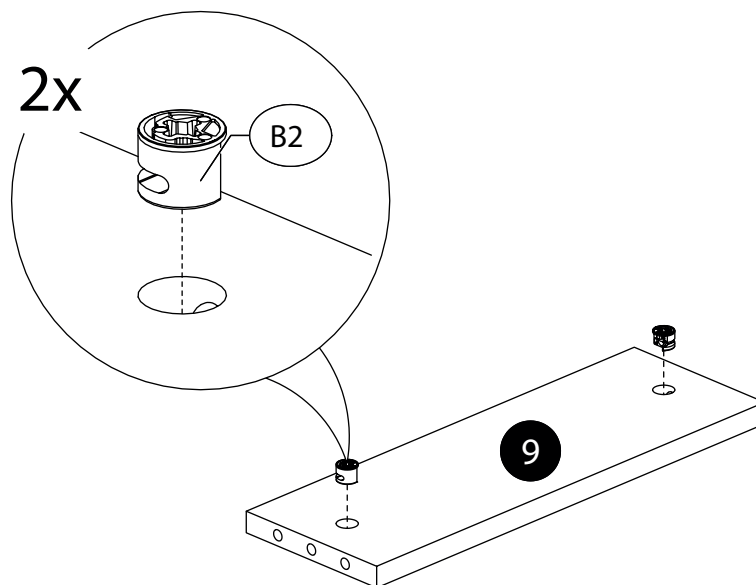
4x



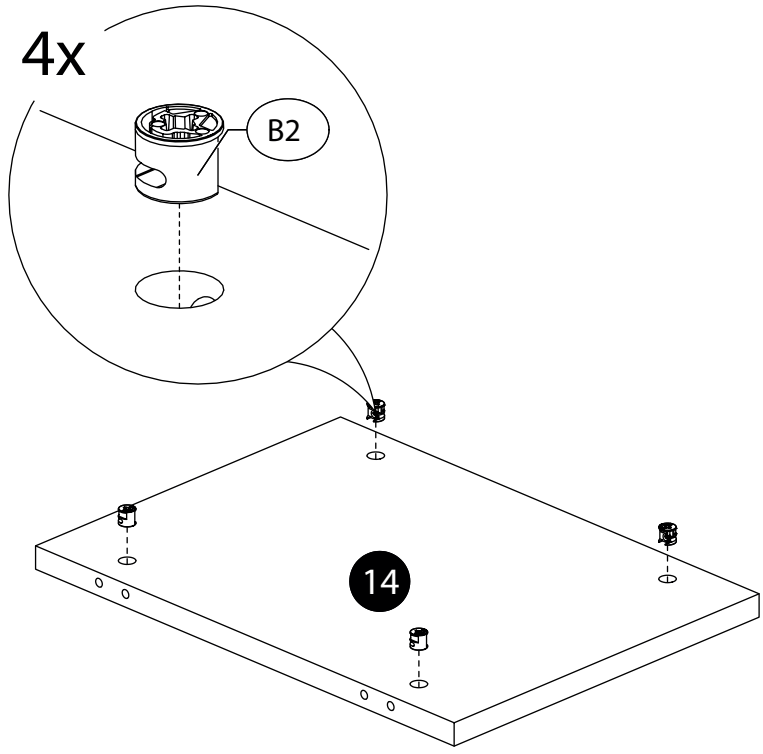
2b.



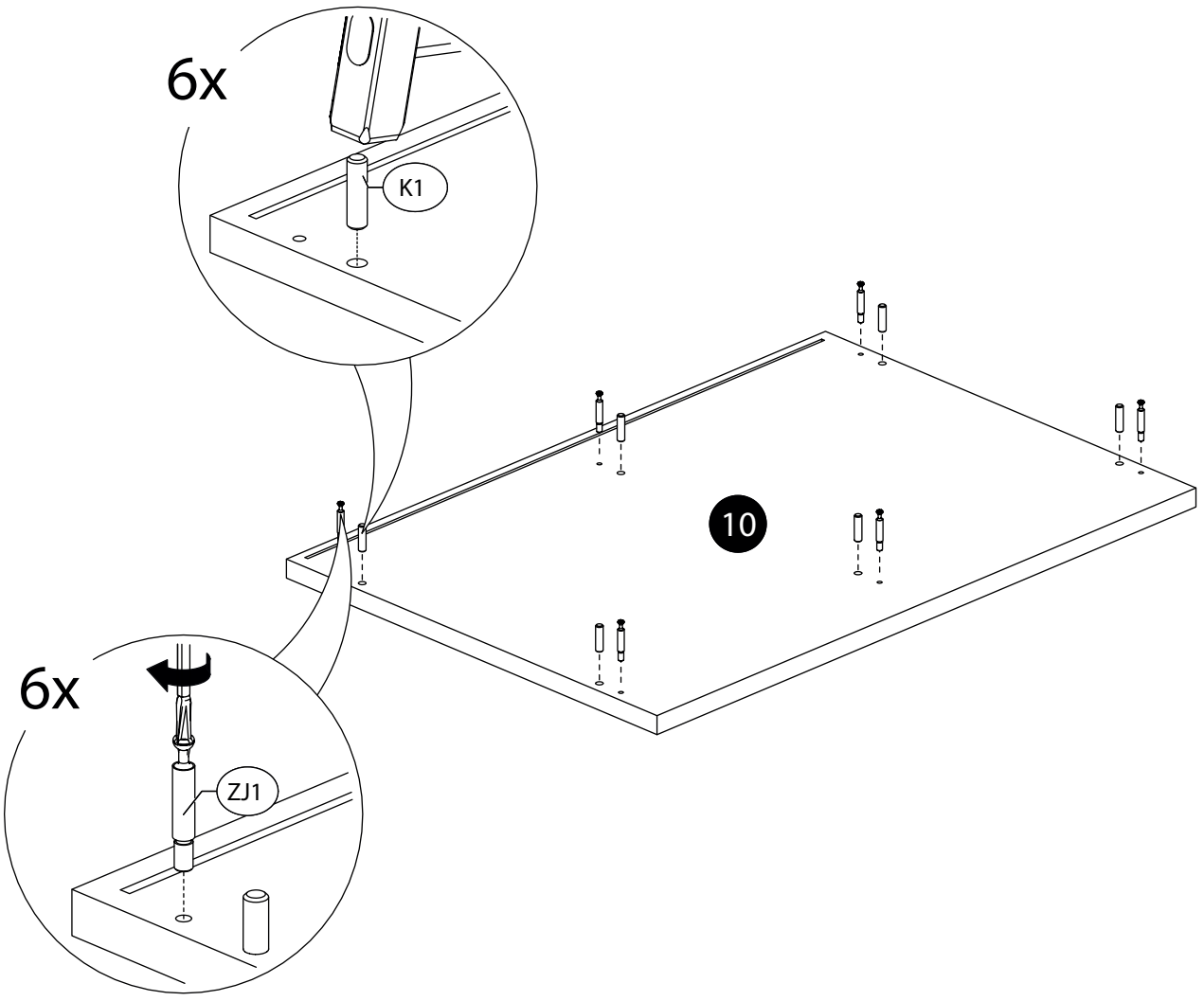
3.



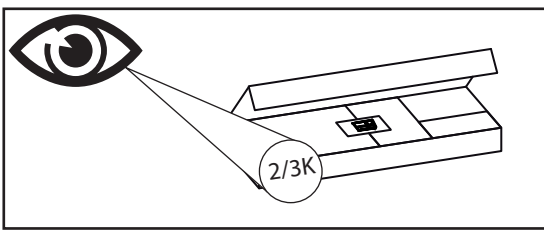
4.



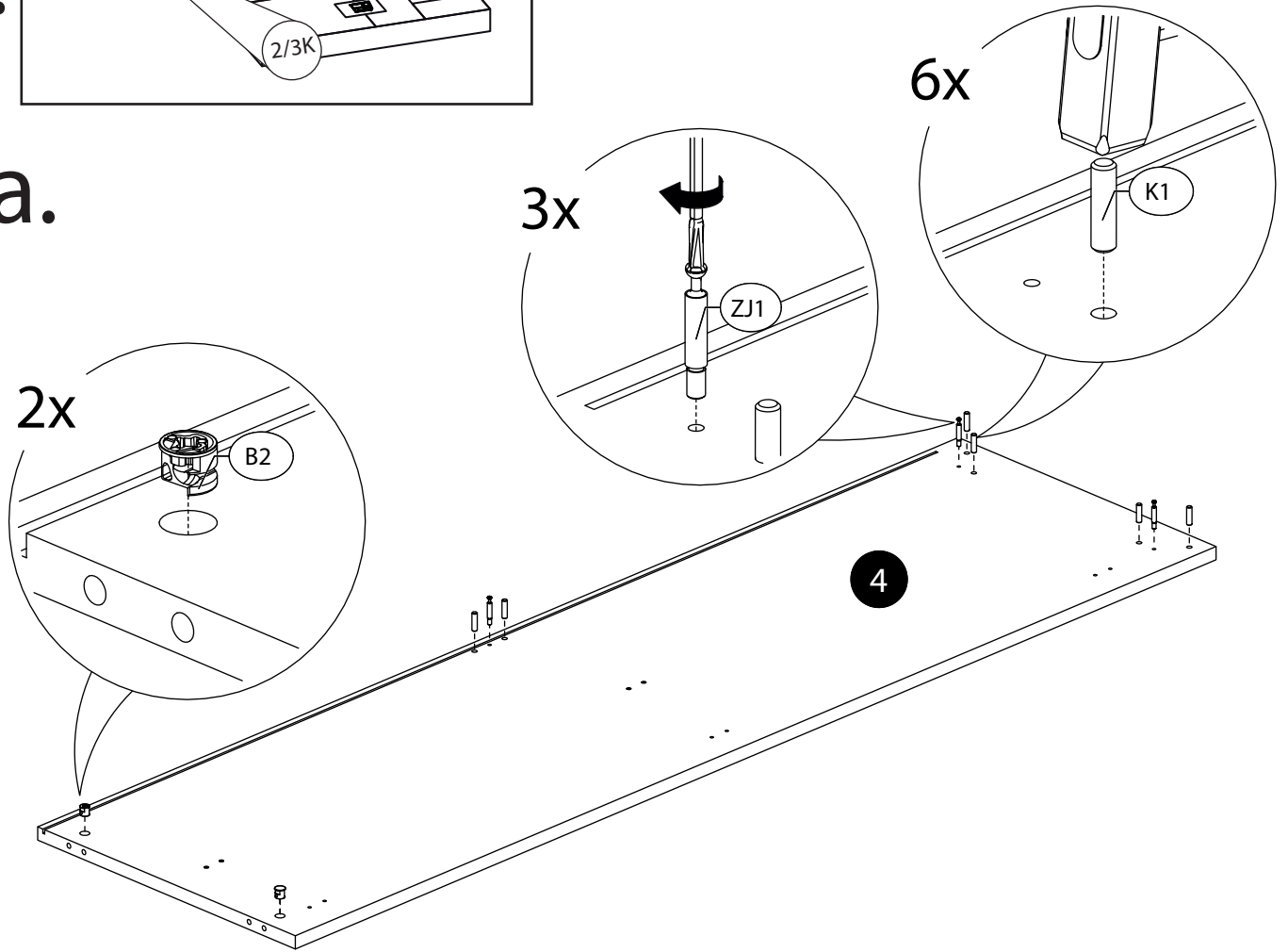
5.



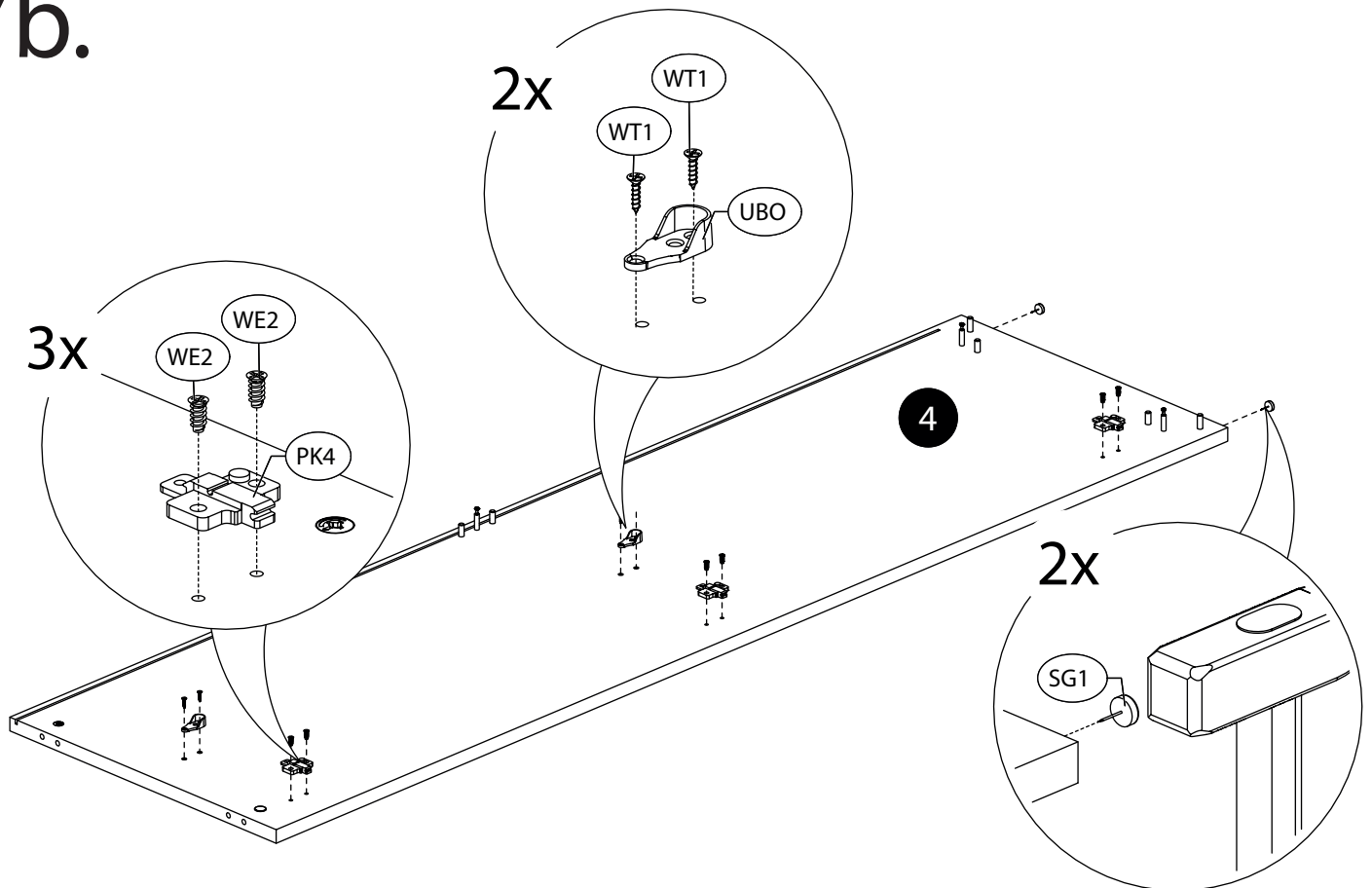
6.



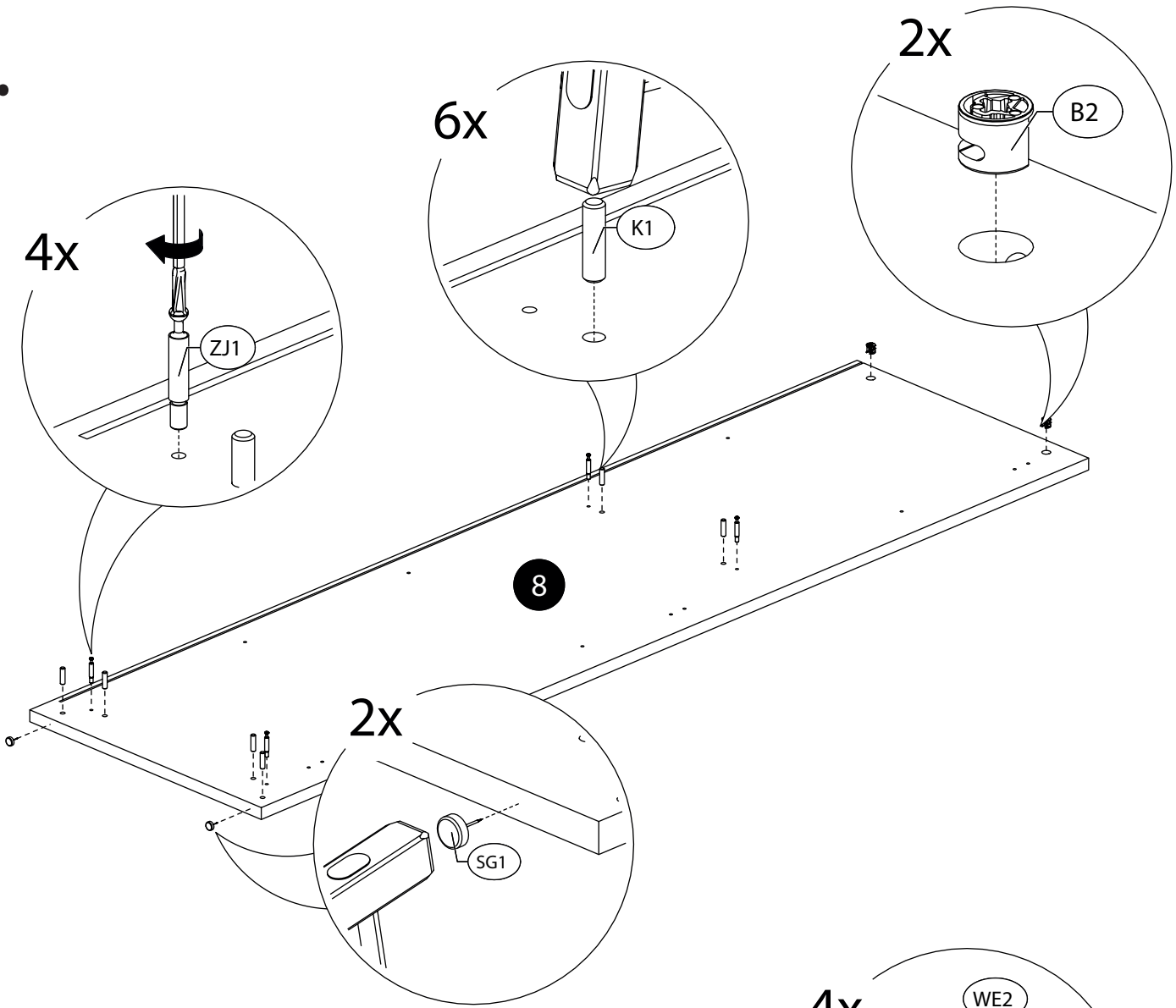
7a.



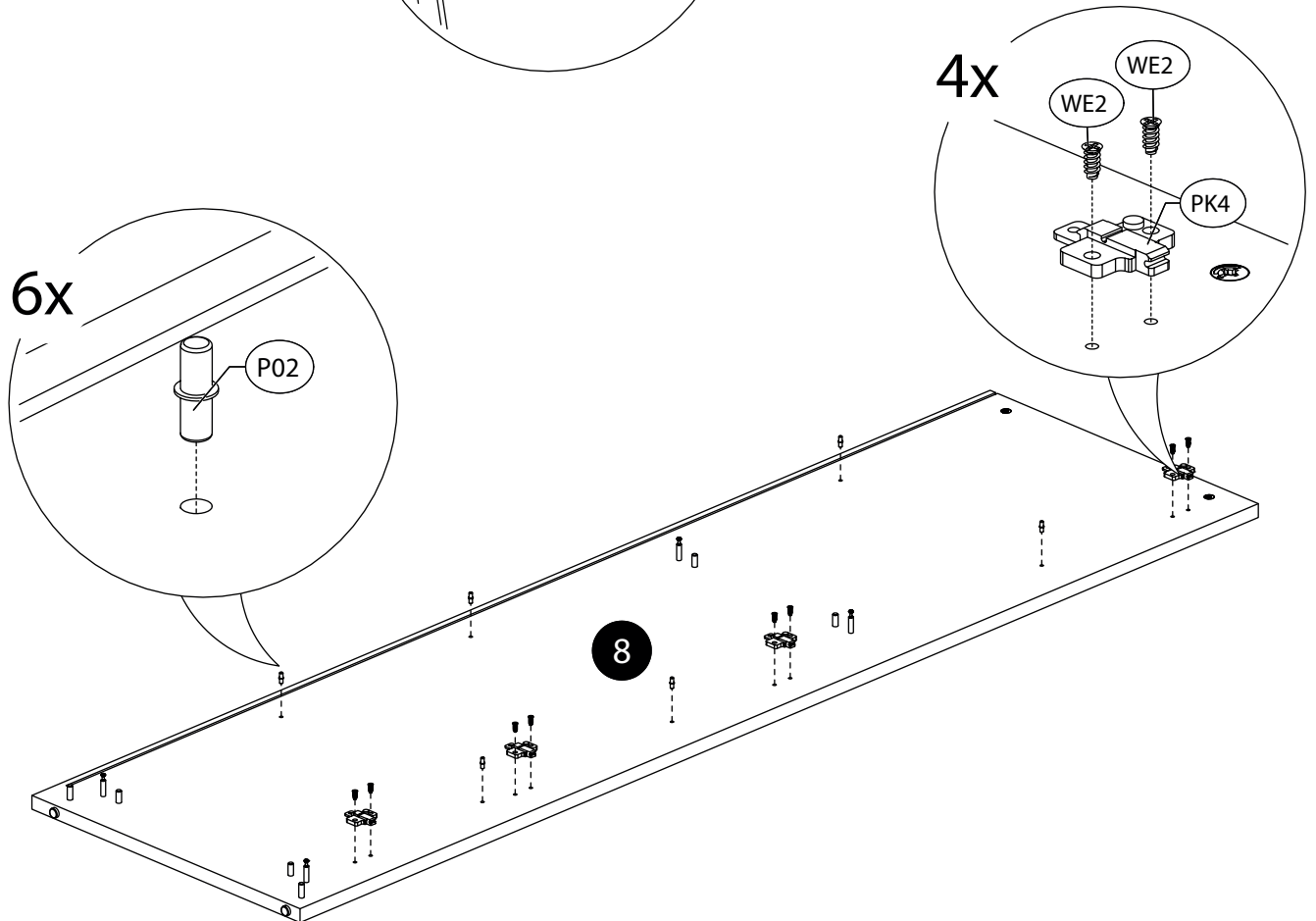
7b.



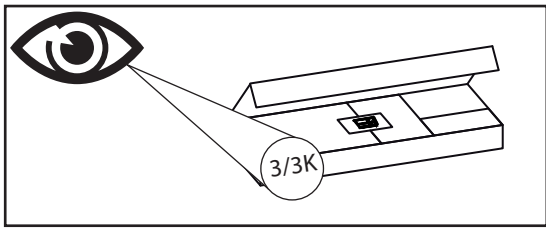
8a.



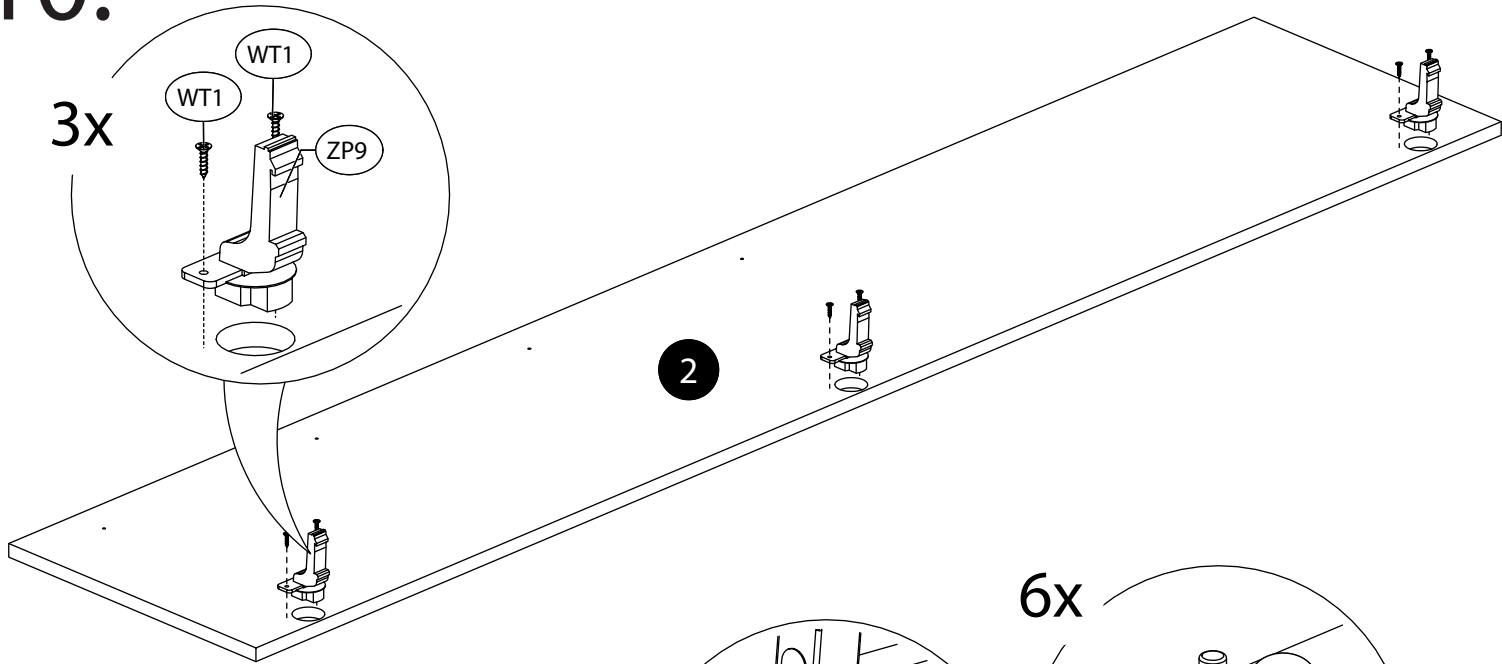
8b.



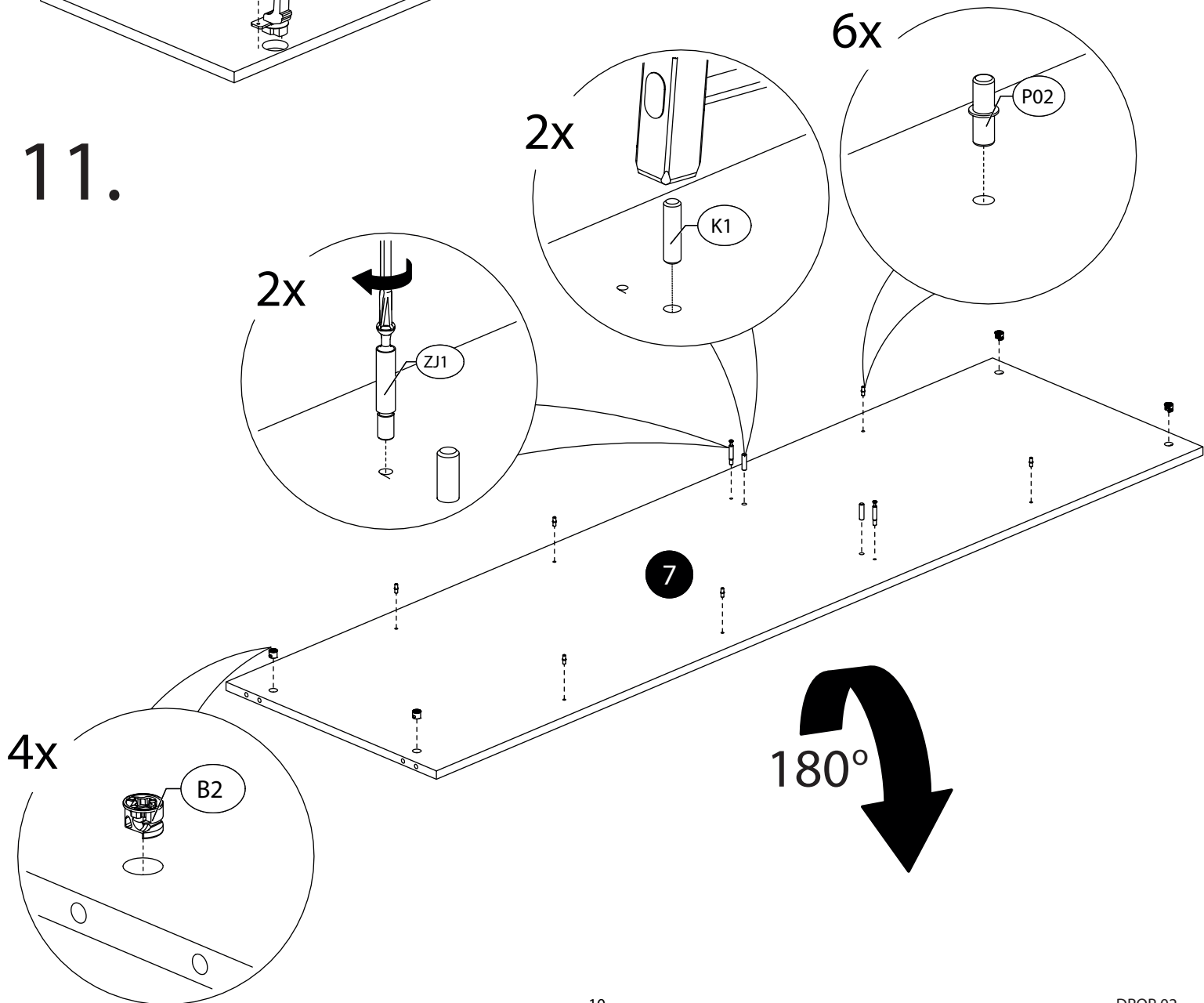
9.



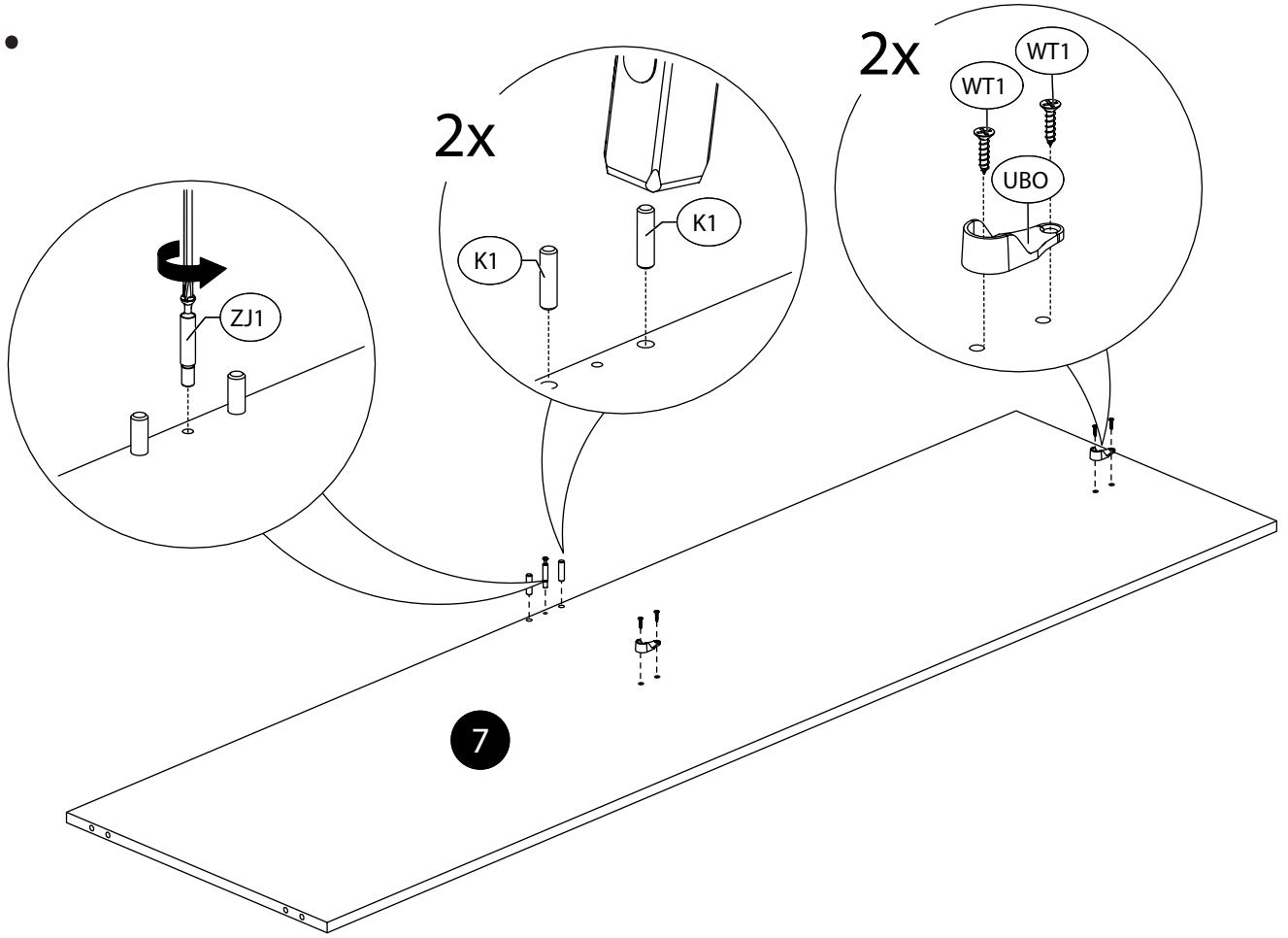
10.



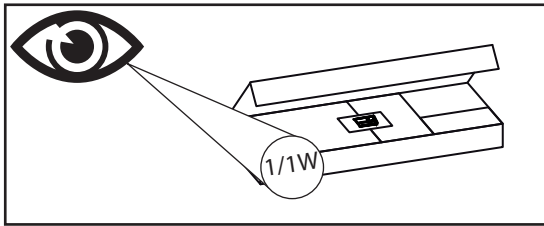
11.



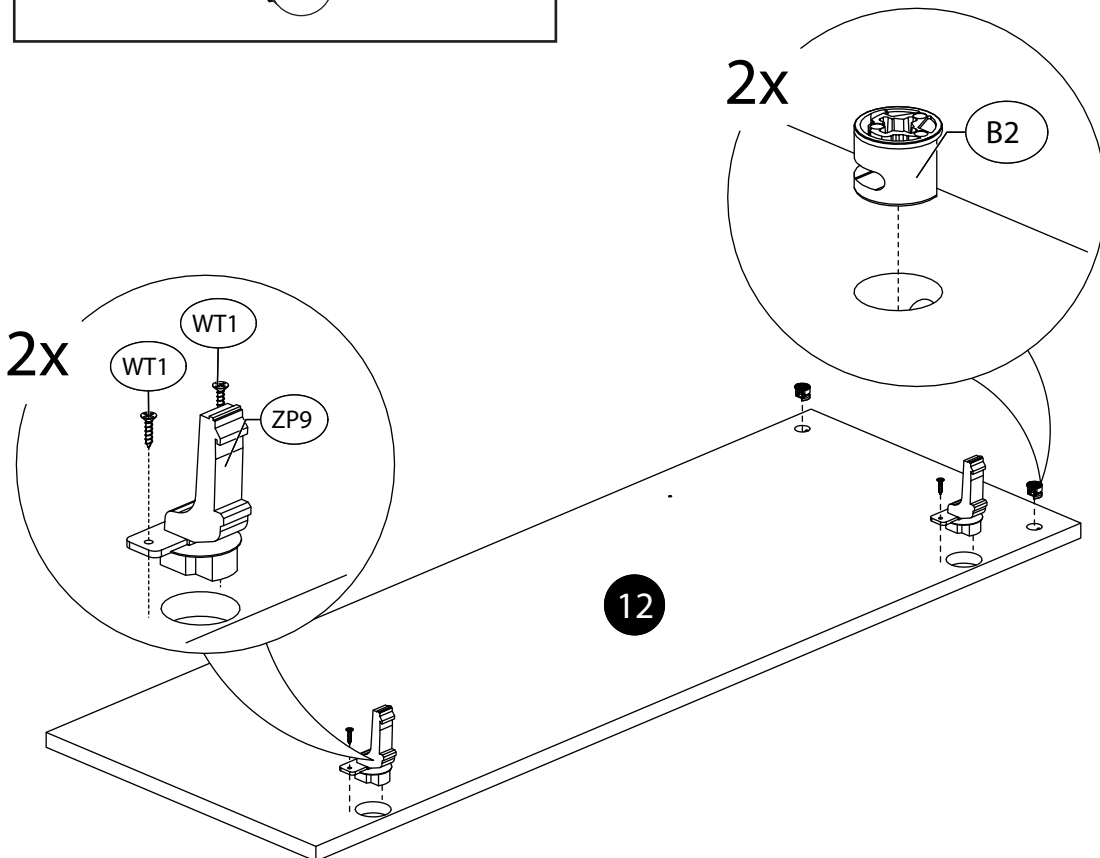
12.



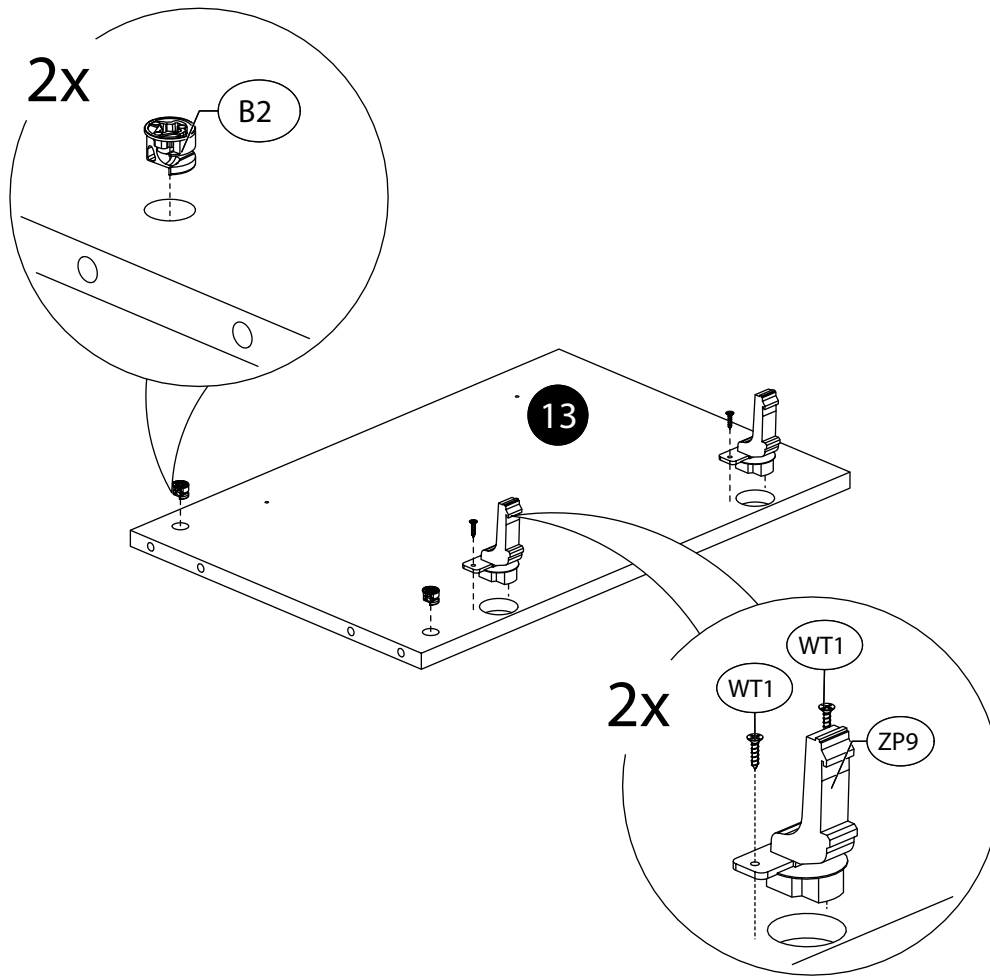
13.



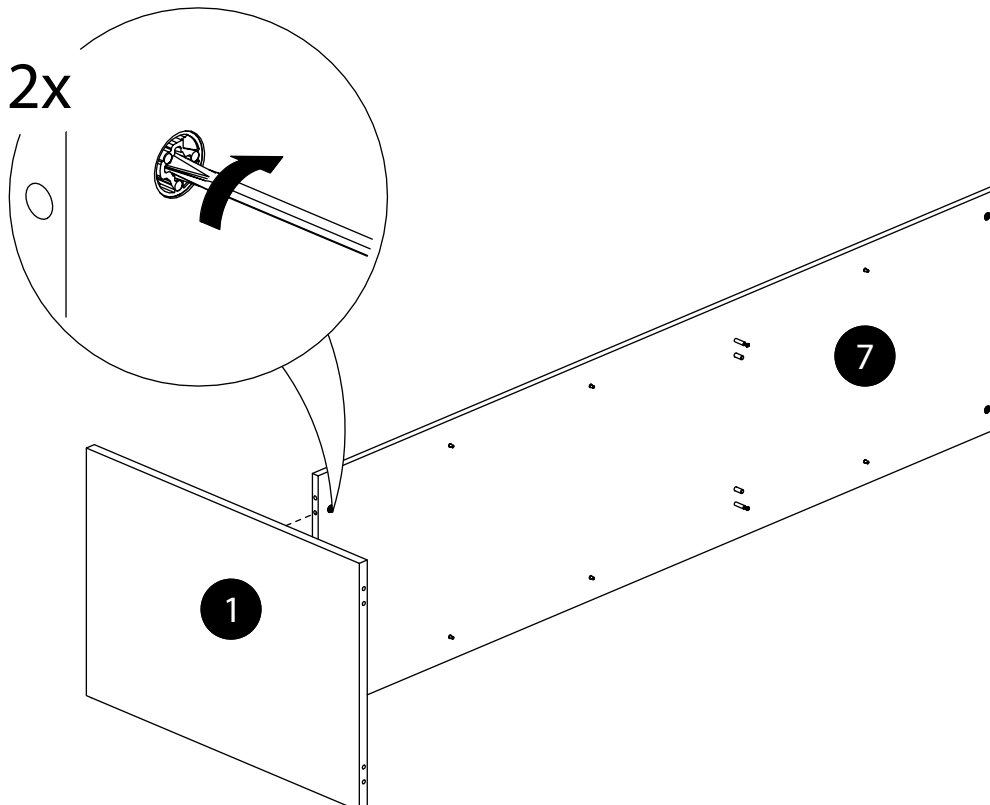
15.



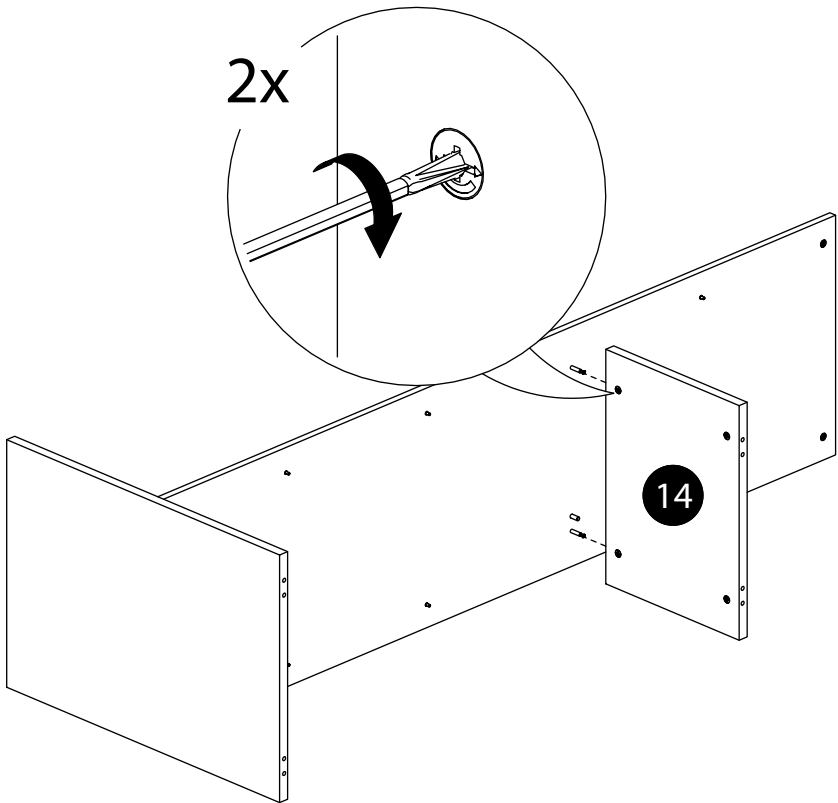
15.



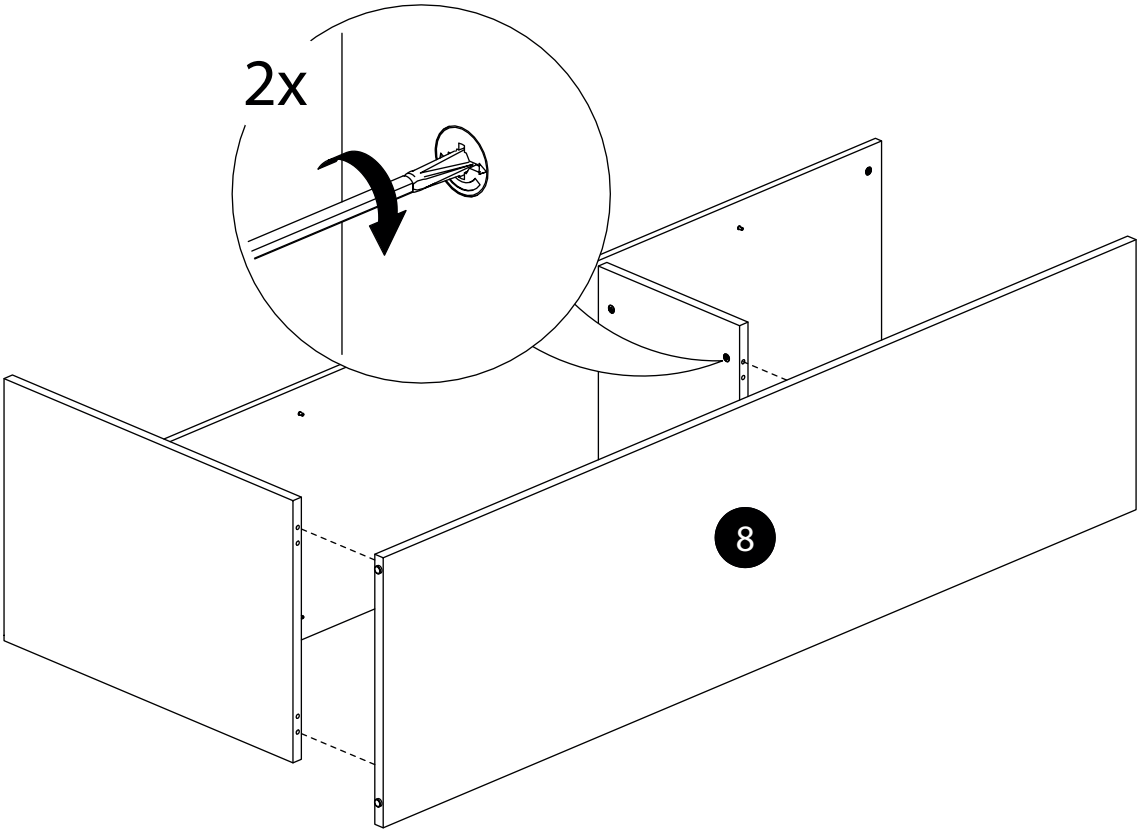
16.



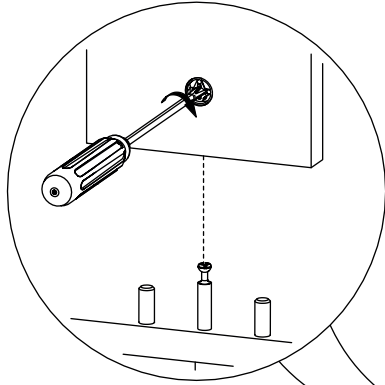
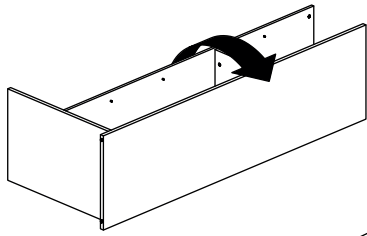
17.



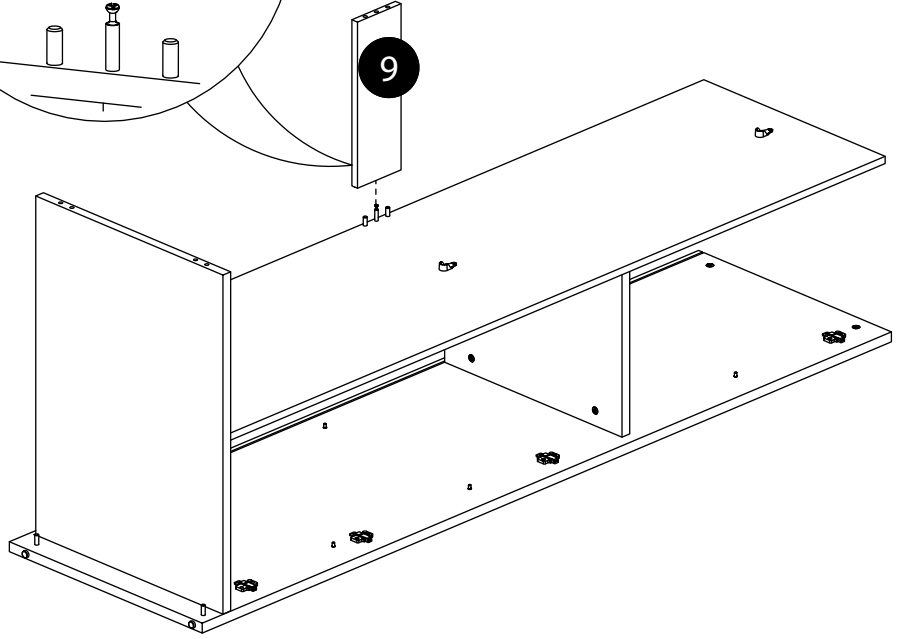
18.



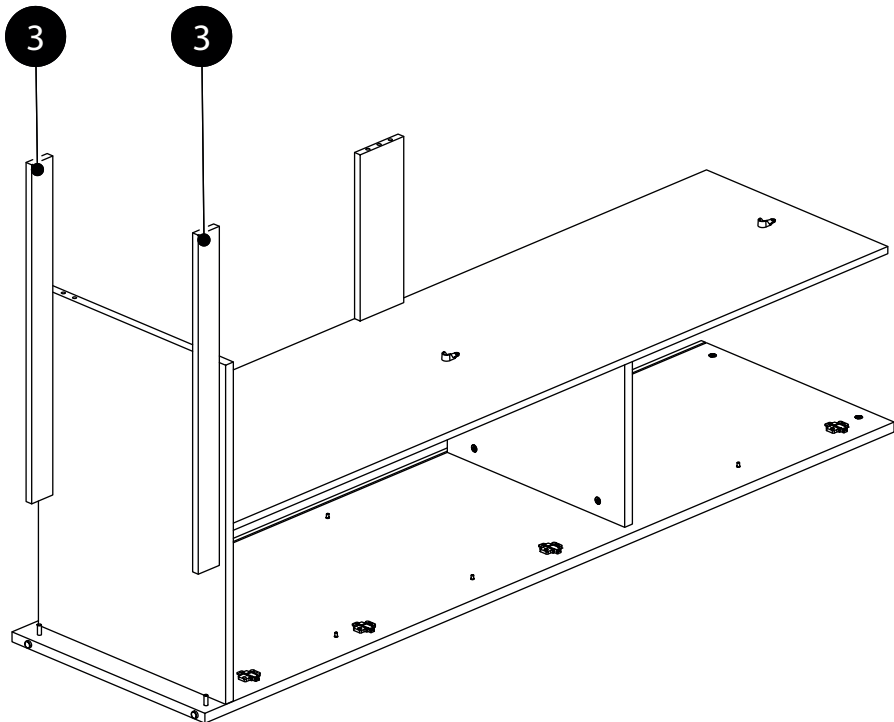
19.



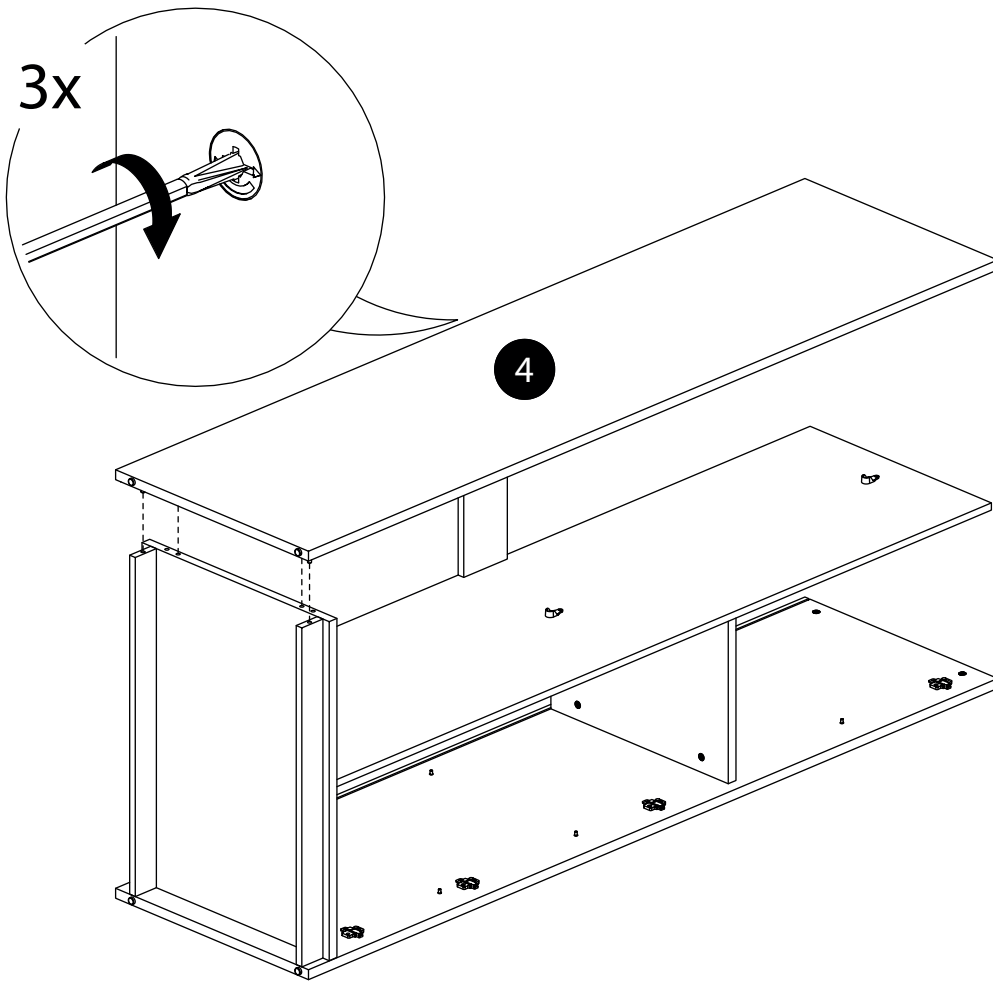
9



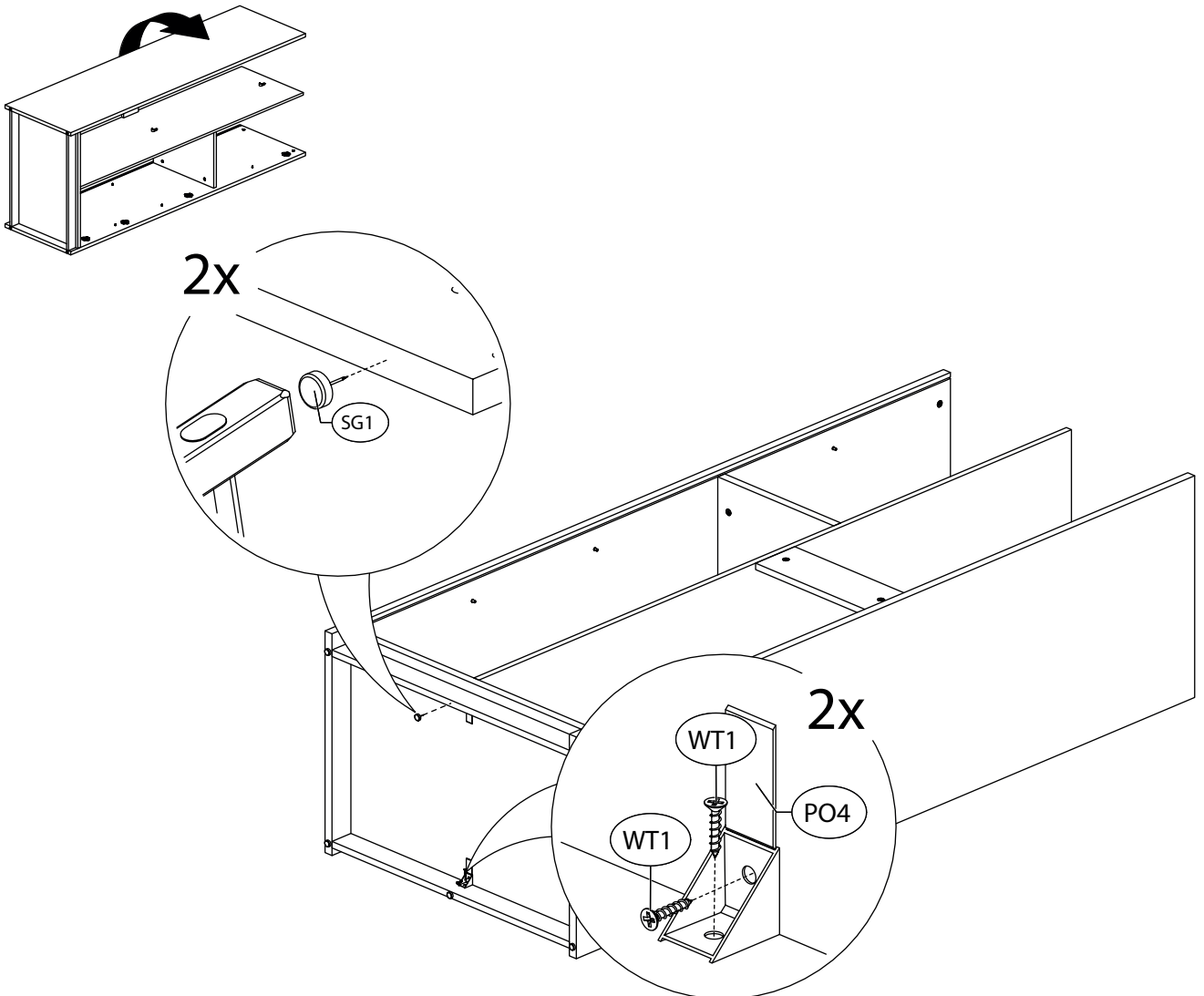
20.



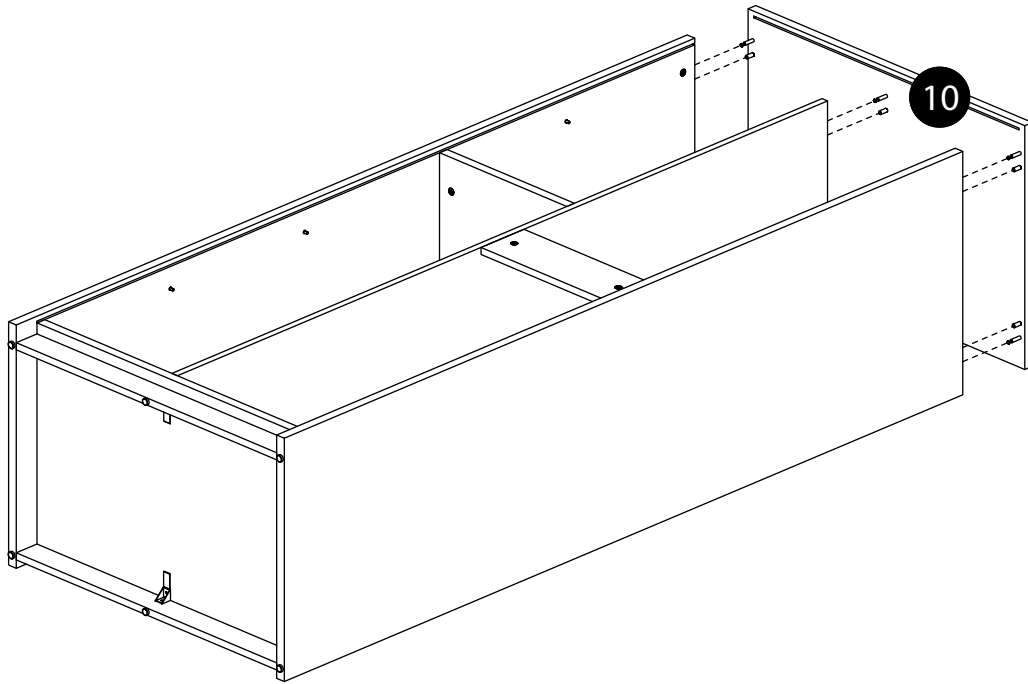
21.



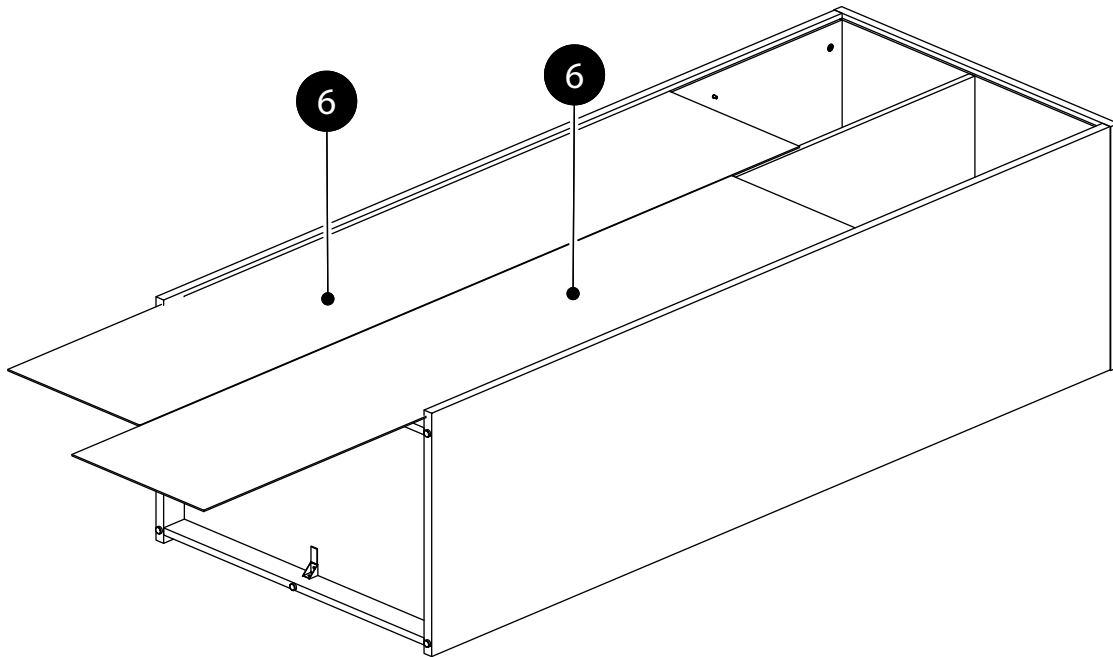
22.



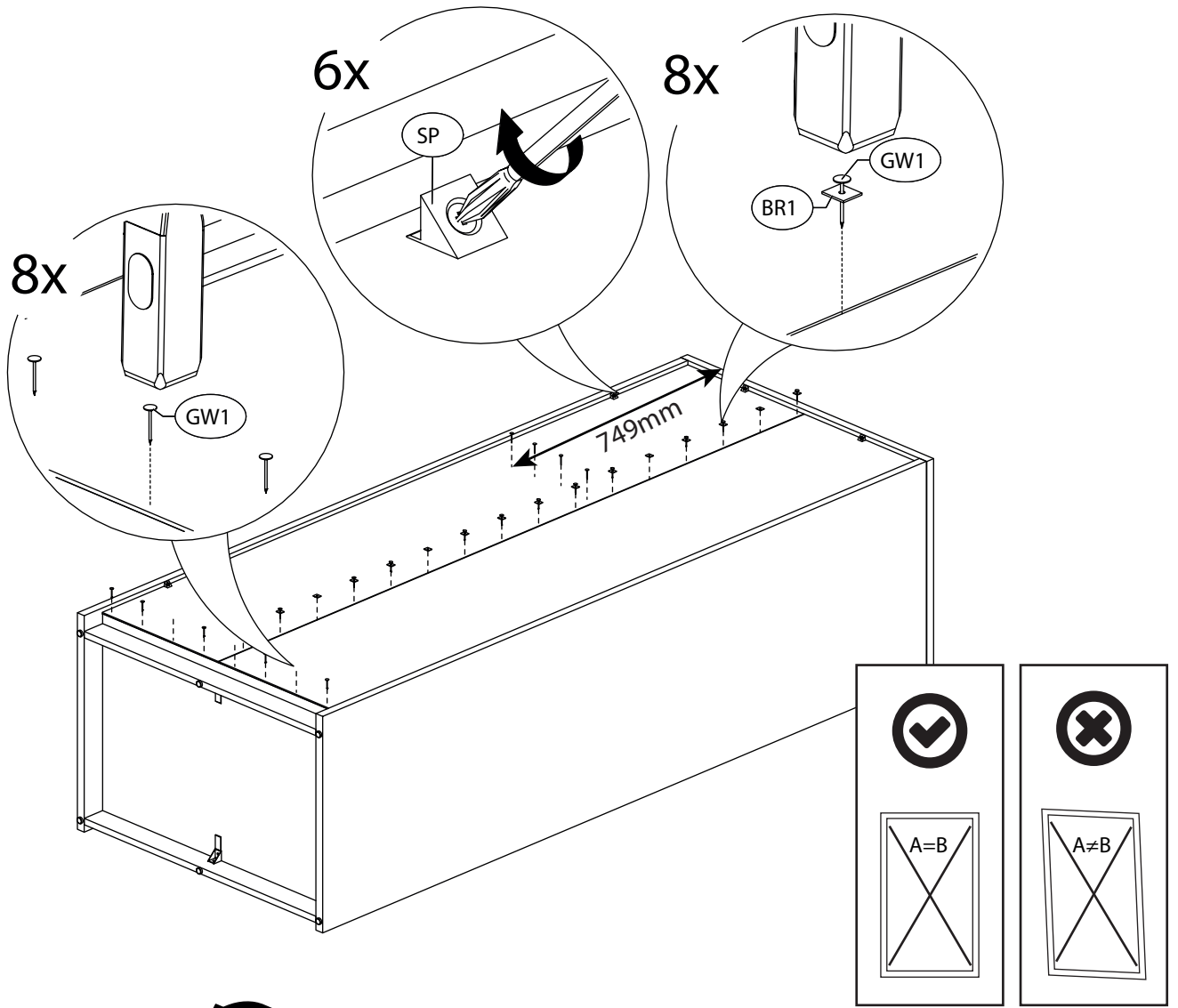
23.



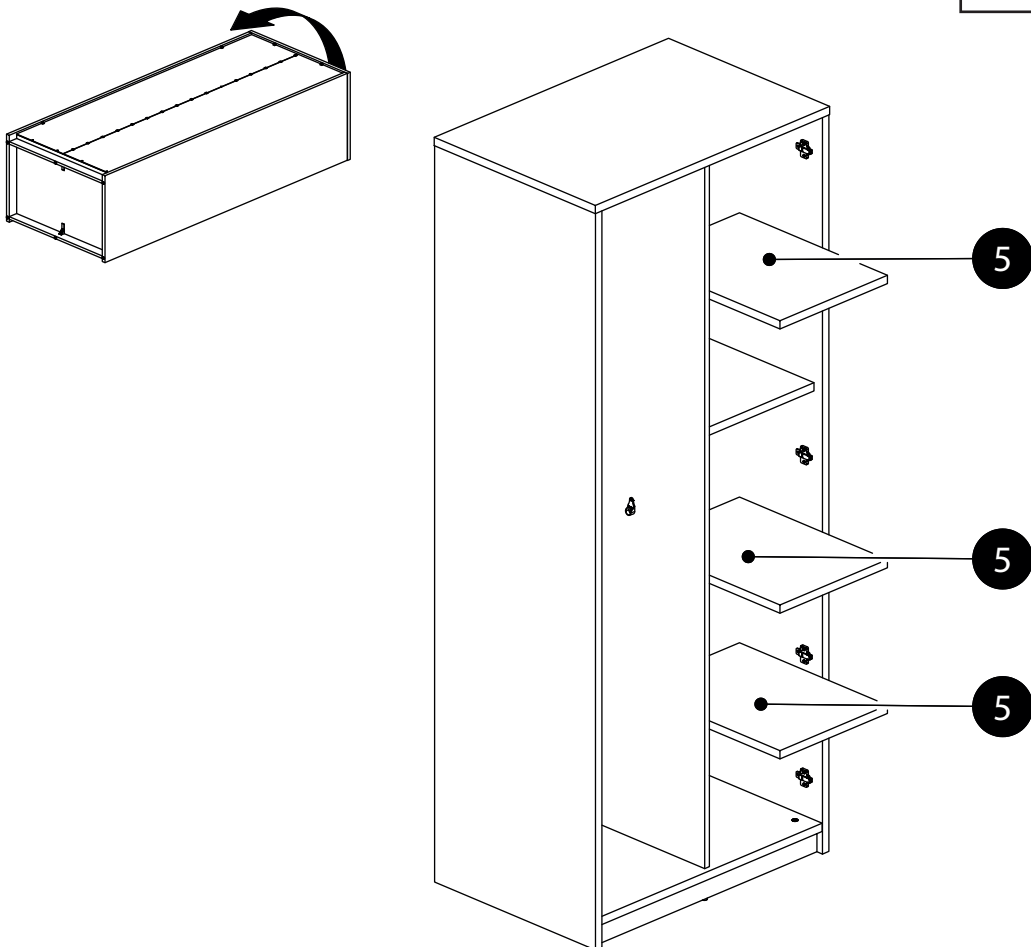
24.



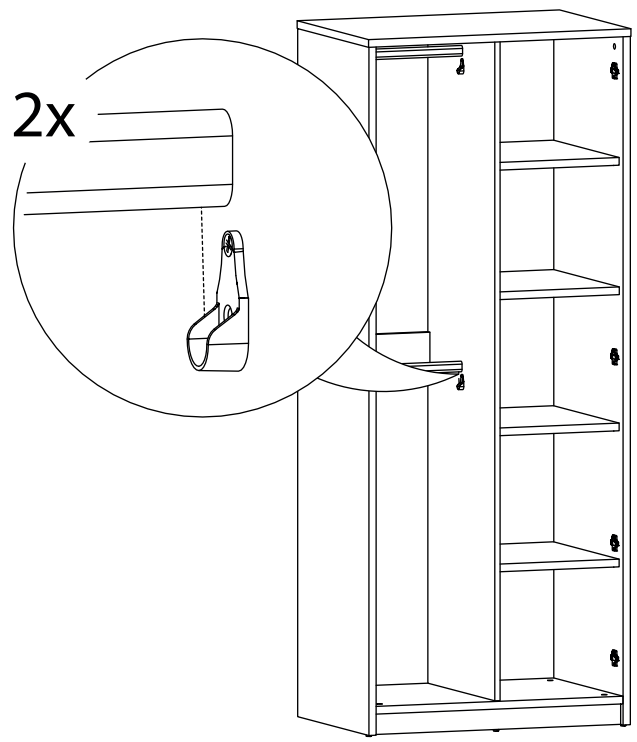
25.



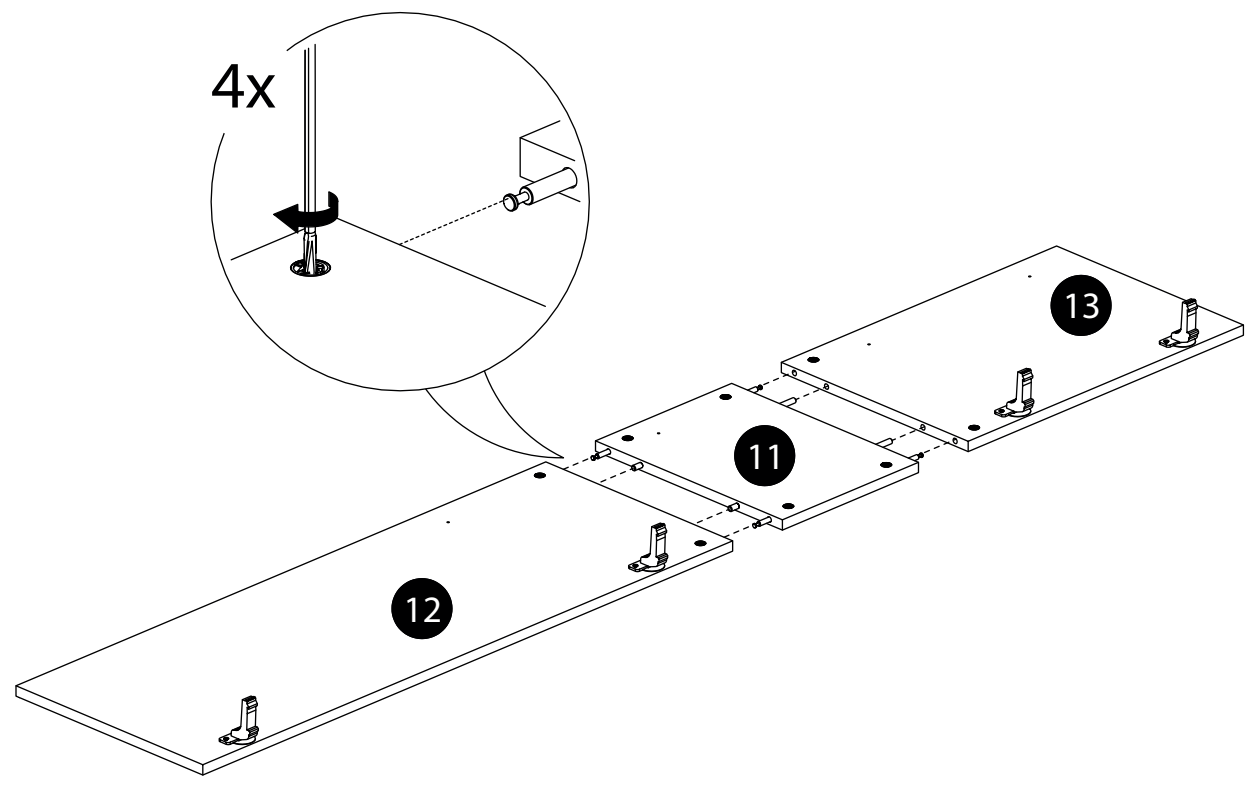
26.



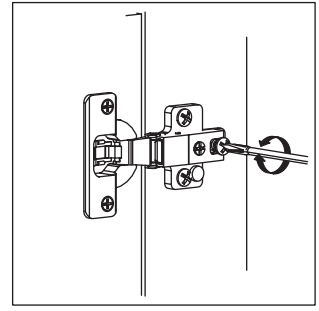
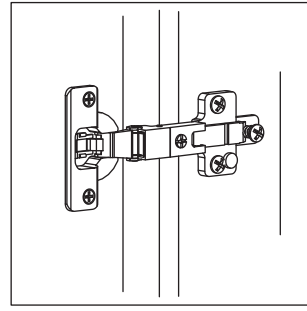
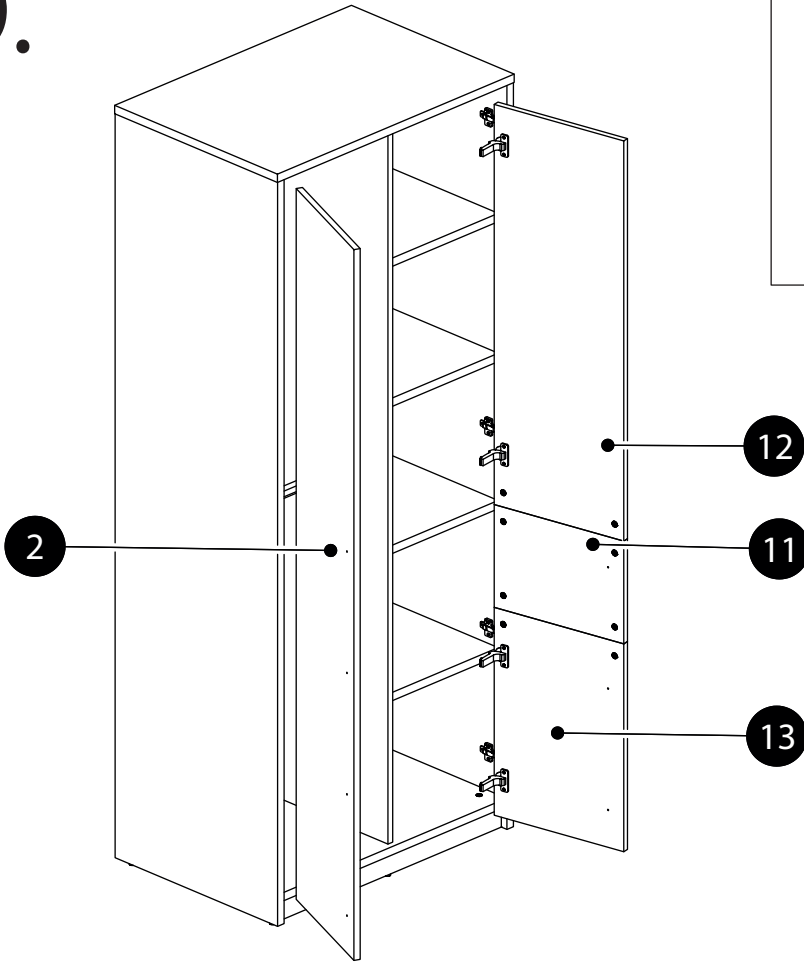
27.



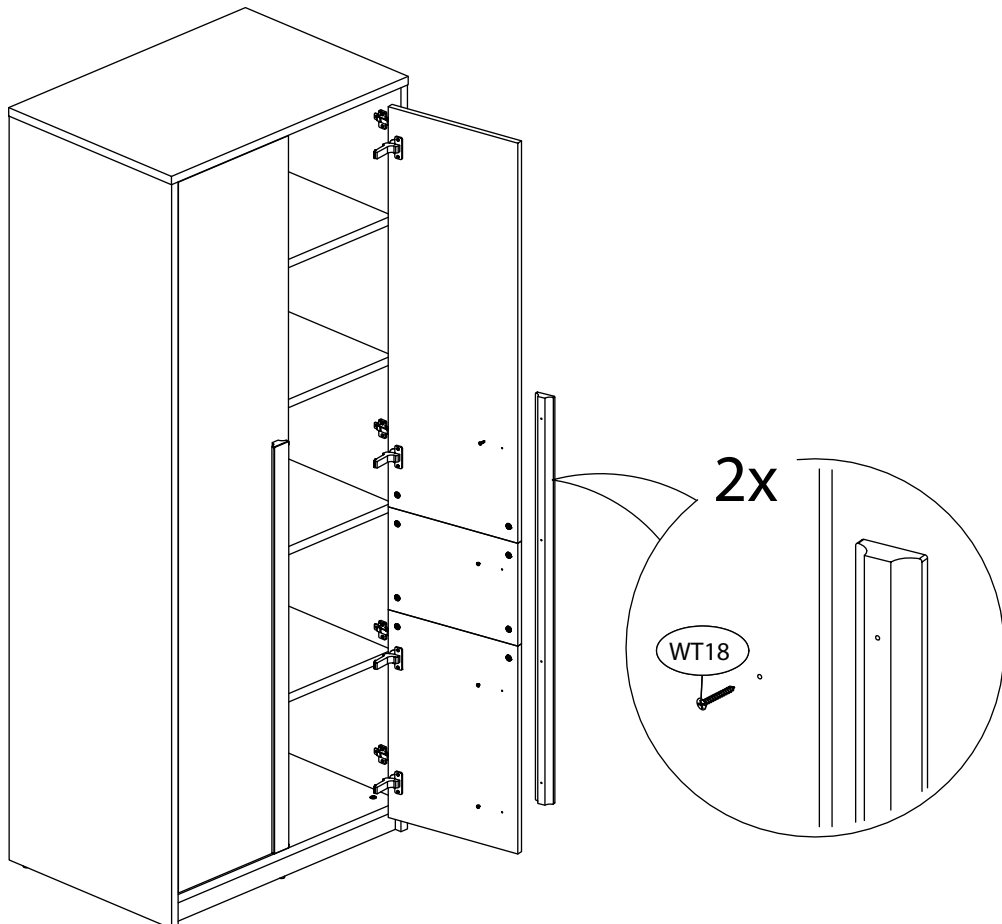
28.



29.



30.



31.

